



US00D565547S

(12) **United States Design Patent**
Griffin et al.

(10) **Patent No.:** **US D565,547 S**

(45) **Date of Patent:** **** Apr. 1, 2008**

(54) **PORTABLE SPEAKER FOR AN MP3
PLAYER DEVICE**

Primary Examiner—Nanda Bondade
(74) *Attorney, Agent, or Firm*—Michael E. McKee

(75) Inventors: **Paul Griffin**, Nashville, TN (US);
Robert Donovan, Franklin, TN (US);
Blair Hasty, Nashville, TN (US);
Steven Greenwell, Nashville, TN (US)

(57) **CLAIM**

The ornamental design for a portable speaker for an MP3 player device, as shown and described.

(73) Assignee: **Griffin Technology, Inc.**, Nashville, TN (US)

DESCRIPTION

(**) Term: **14 Years**

FIG. 1 is a perspective view of a portable speaker for an MP3 player device showing our new design;

(21) Appl. No.: **29/271,530**

FIG. 2 is a front view thereof;

(22) Filed: **Jan. 22, 2007**

FIG. 3 is a right side view thereof;

(51) **LOC (8) Cl.** **14-01**

FIG. 4 is a left side view thereof;

(52) **U.S. Cl.** **D14/214; D14/217**

FIG. 5 is a top view thereof, the bottom view thereof being identical thereto;

(58) **Field of Classification Search** D14/204,
D14/209–217, 172, 356, 168; 181/143–144,
181/147–148, 150, 157, 198–199, 151, 153;
381/300–302, 306, 333, 345, 361–364, 386–388,
381/332, 336

FIG. 6 is a back view thereof;

See application file for complete search history.

FIG. 7 is a perspective view of the portable speaker system wherein the case thereof is folded to form a stand for the portable speaker;

(56) **References Cited**

U.S. PATENT DOCUMENTS

D384,069 S *	9/1997	Kokkinis	D14/168
D491,937 S *	6/2004	Retourne et al.	D14/356
D502,697 S *	3/2005	Hite	D14/214
D514,090 S *	1/2006	Carbone et al.	D14/214
D532,773 S *	11/2006	Langberg et al.	D14/214

FIG. 8 is a front view thereof;

FIG. 9 is a left side view thereof;

FIG. 10 is a right side view thereof;

FIG. 11 is a bottom view thereof;

FIG. 12 is a top view thereof; and,

FIG. 13 is a back view thereof.

FIGS. 1 and 7 are on a reduced scale.

* cited by examiner

1 Claim, 12 Drawing Sheets

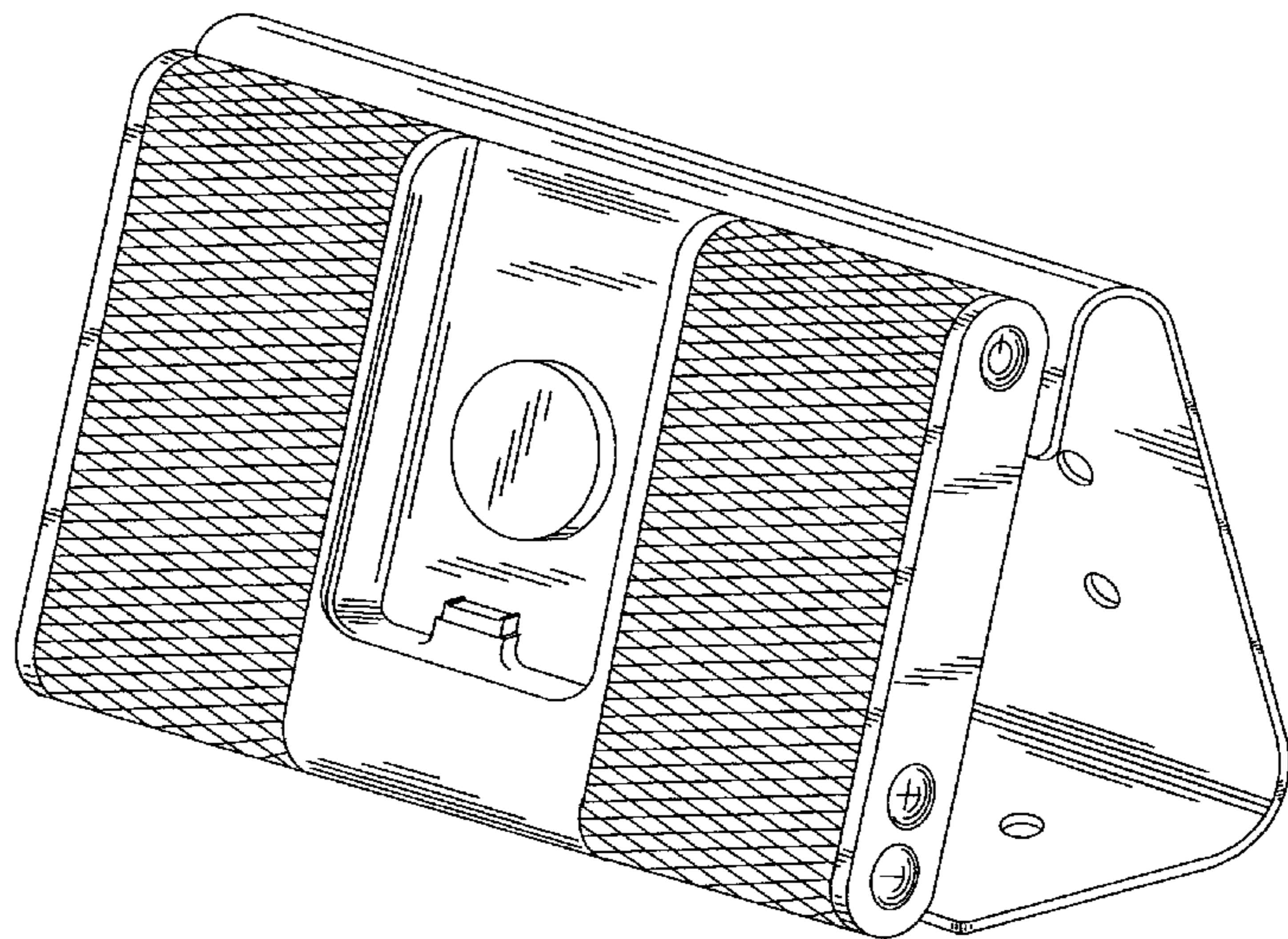
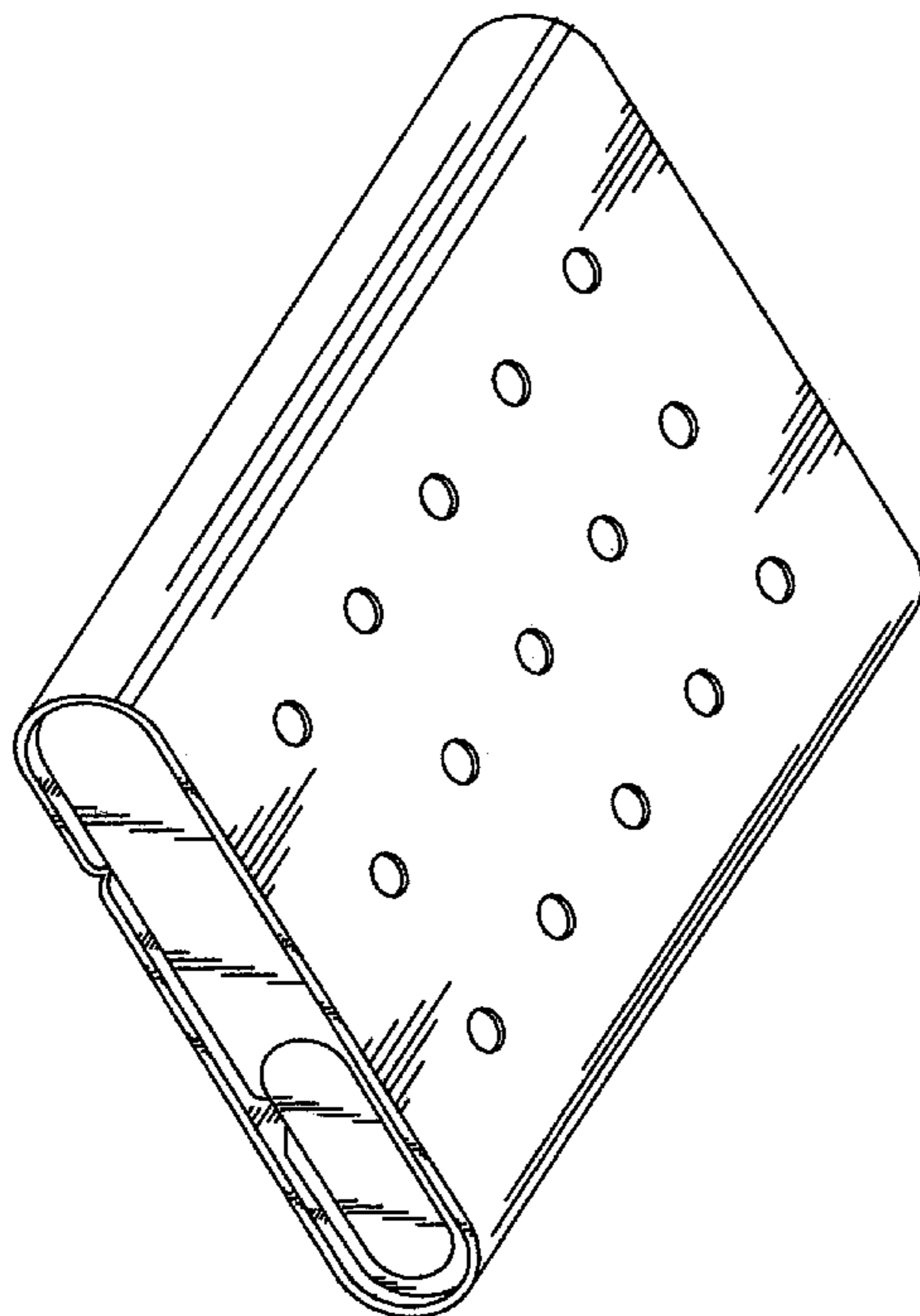


FIG. 1

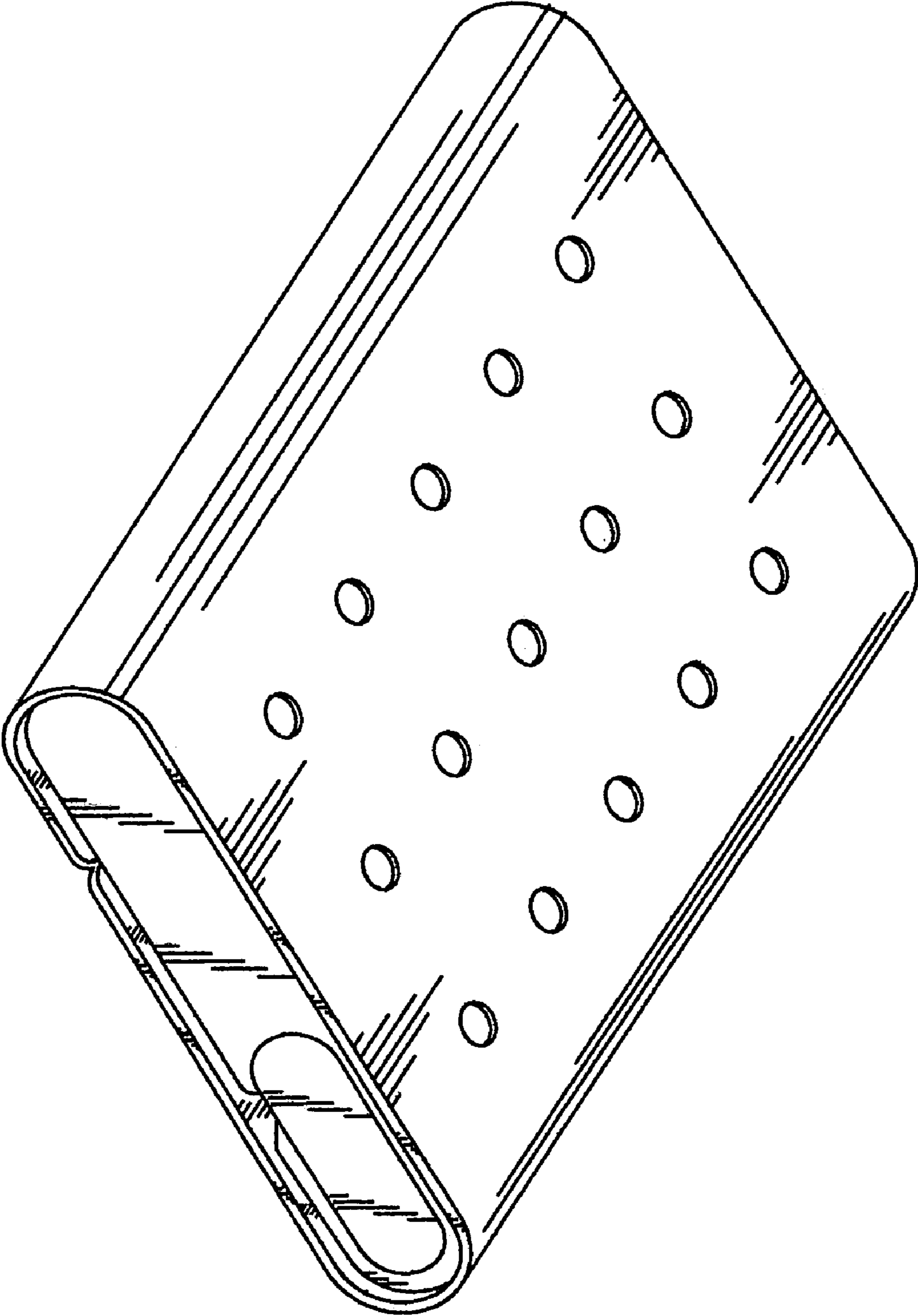


FIG. 2

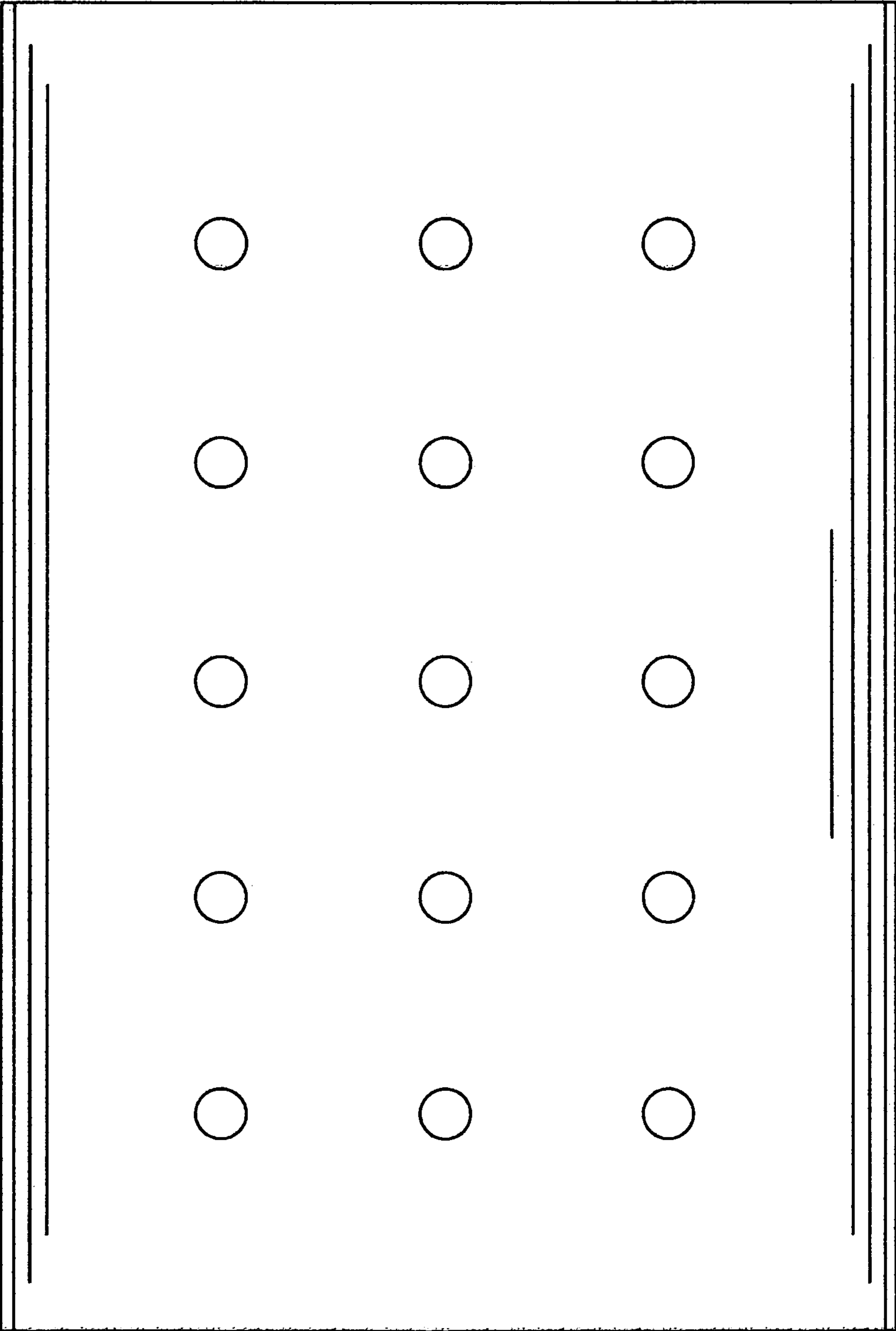


FIG. 3

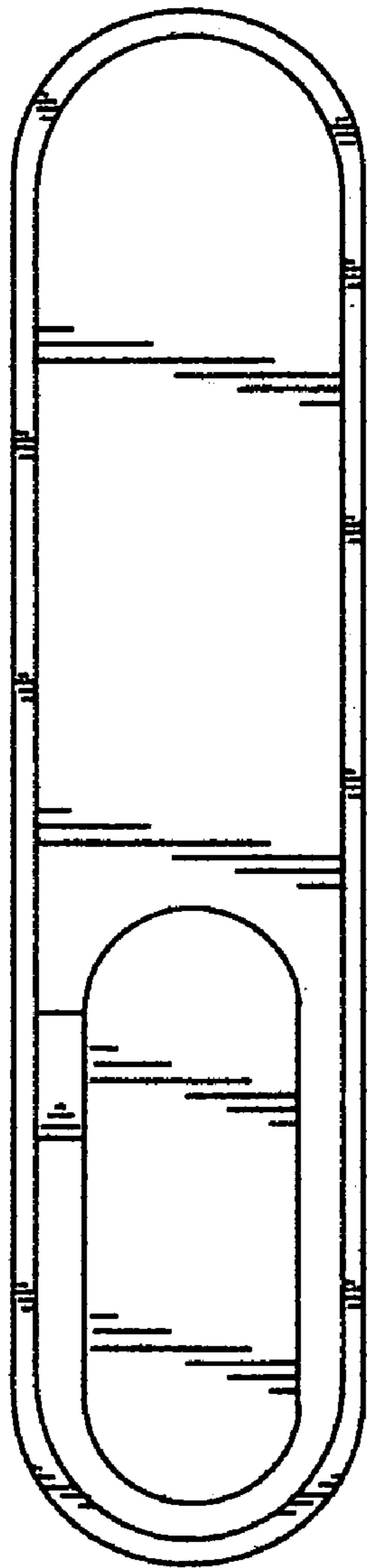


FIG. 4

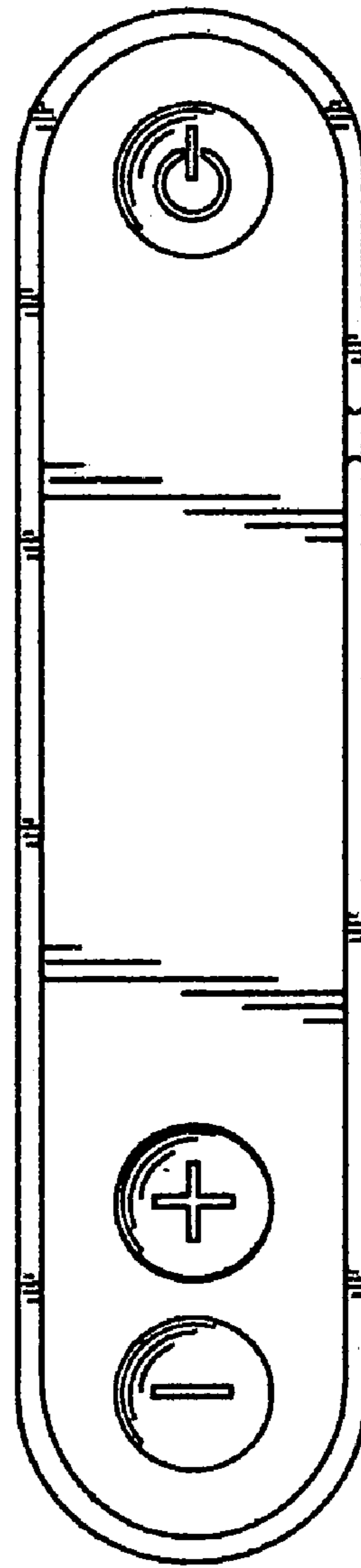


FIG. 5



FIG. 6

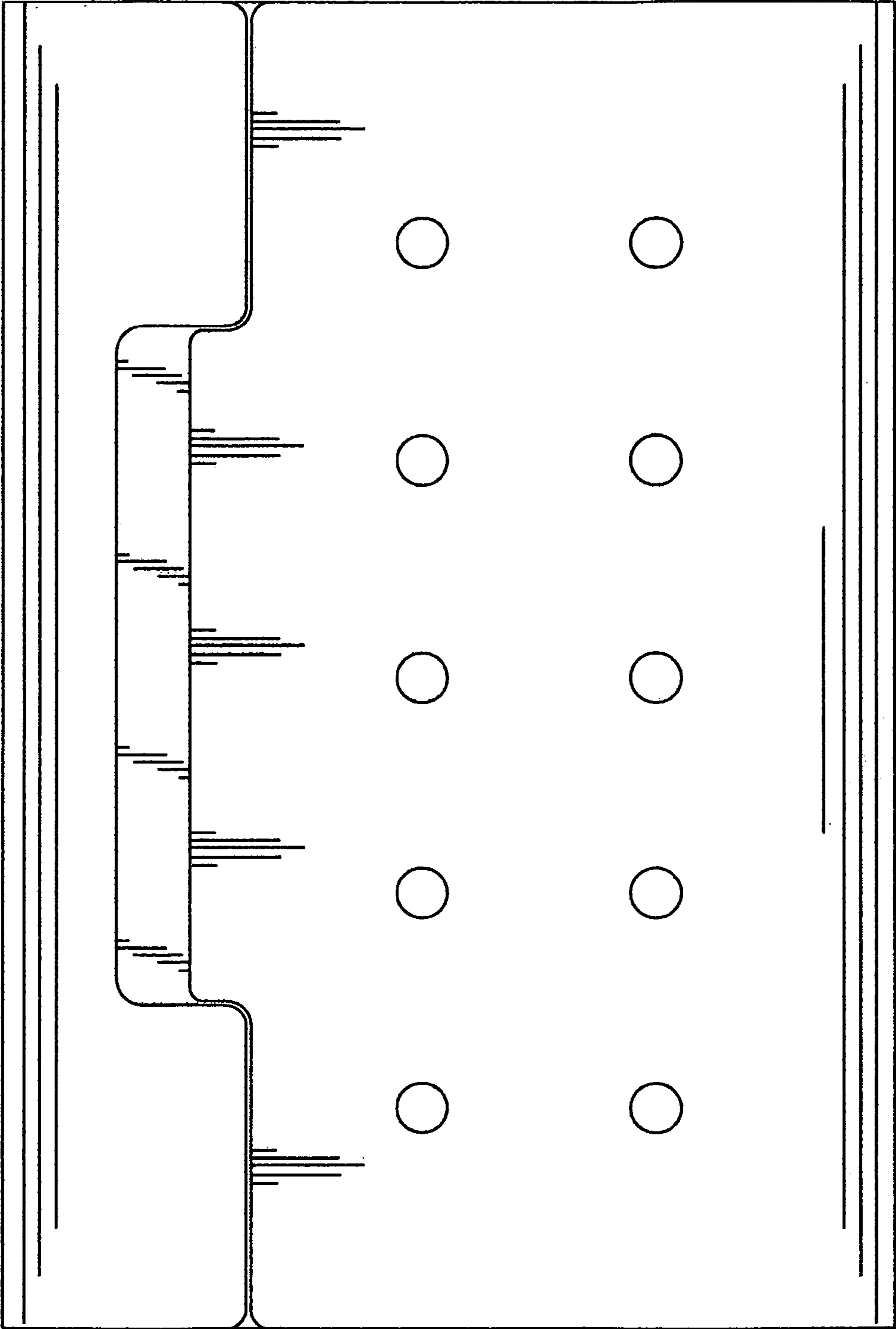


FIG. 7

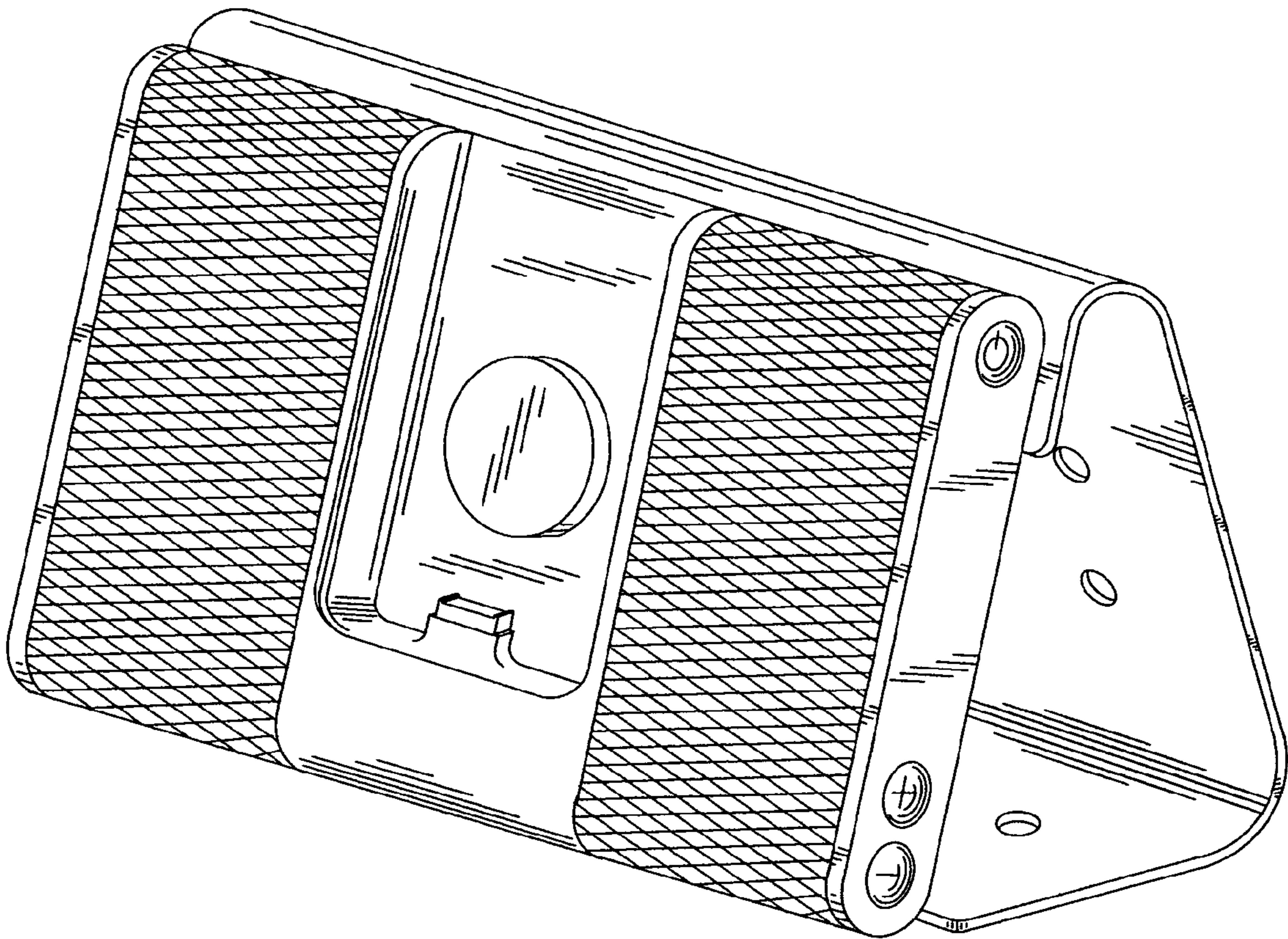


FIG. 8

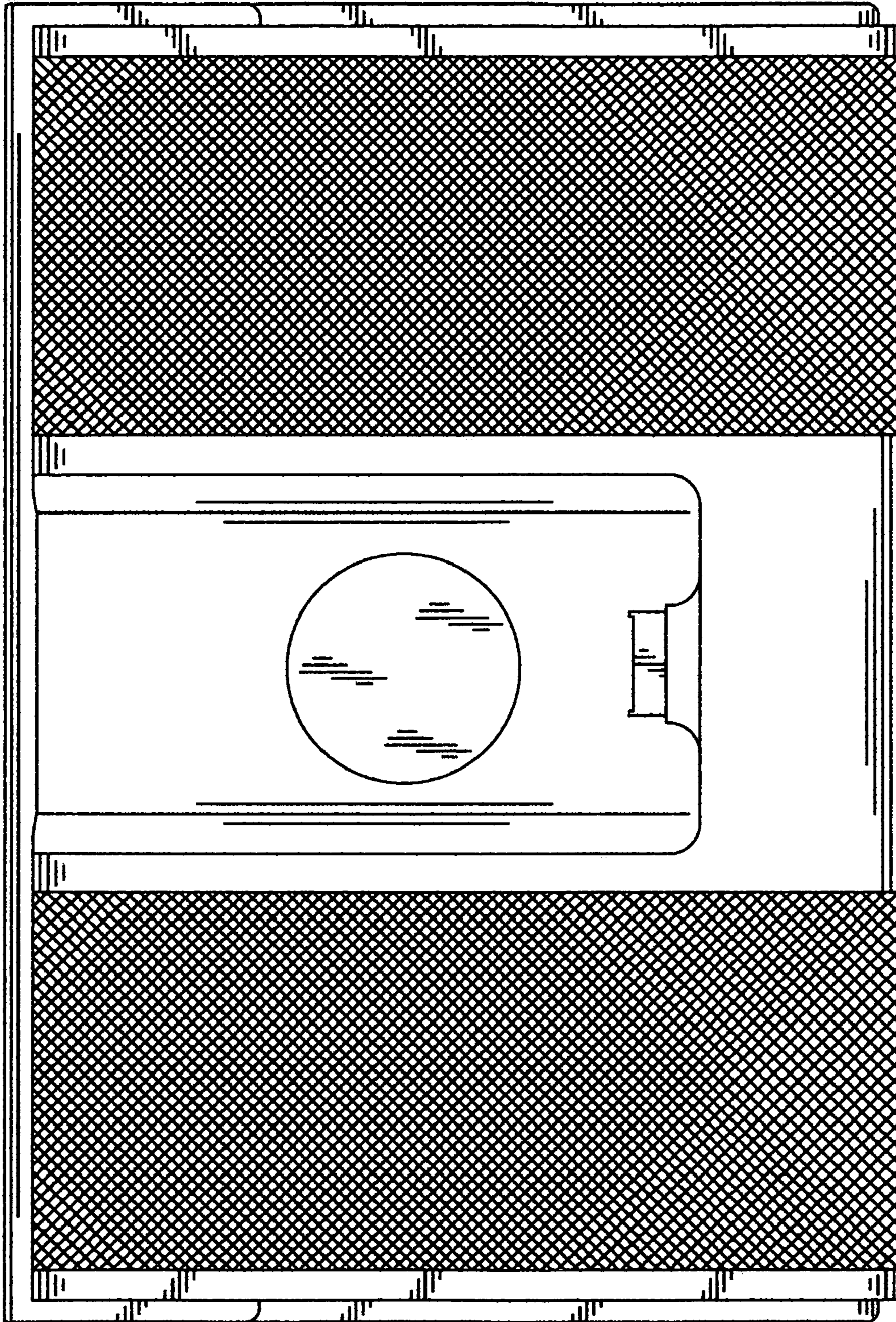


FIG. 9

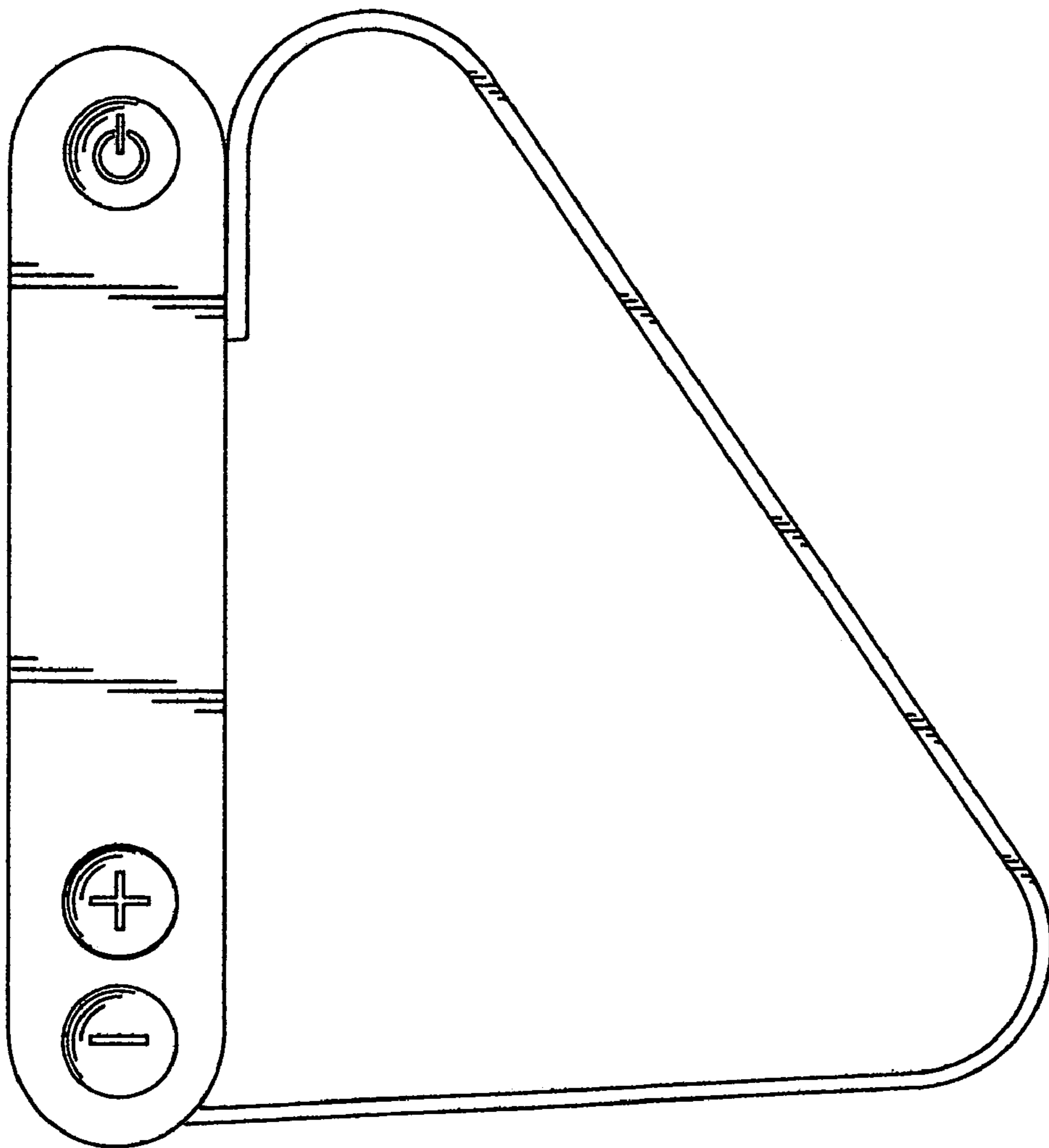


FIG. 10

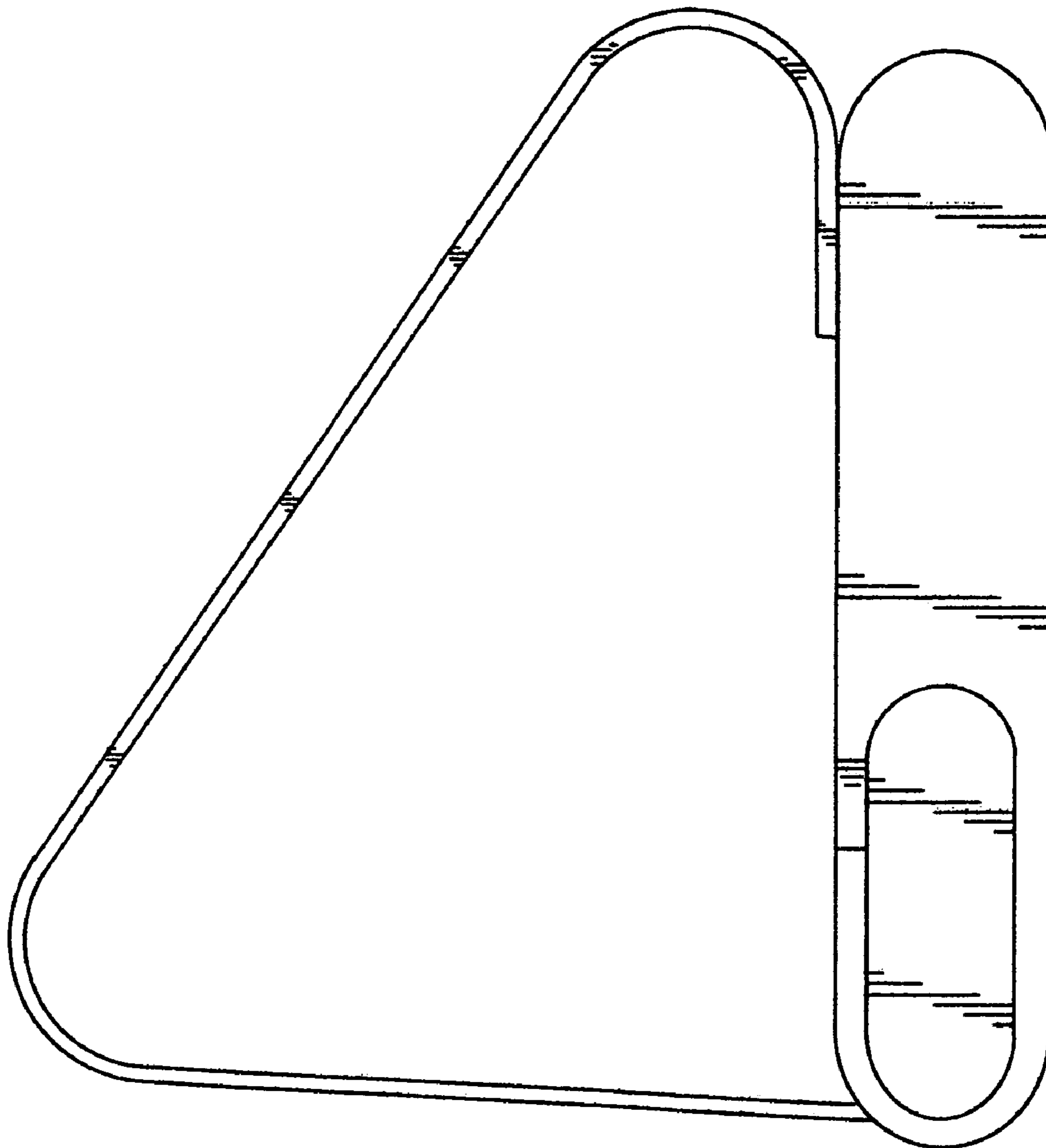


FIG. 11

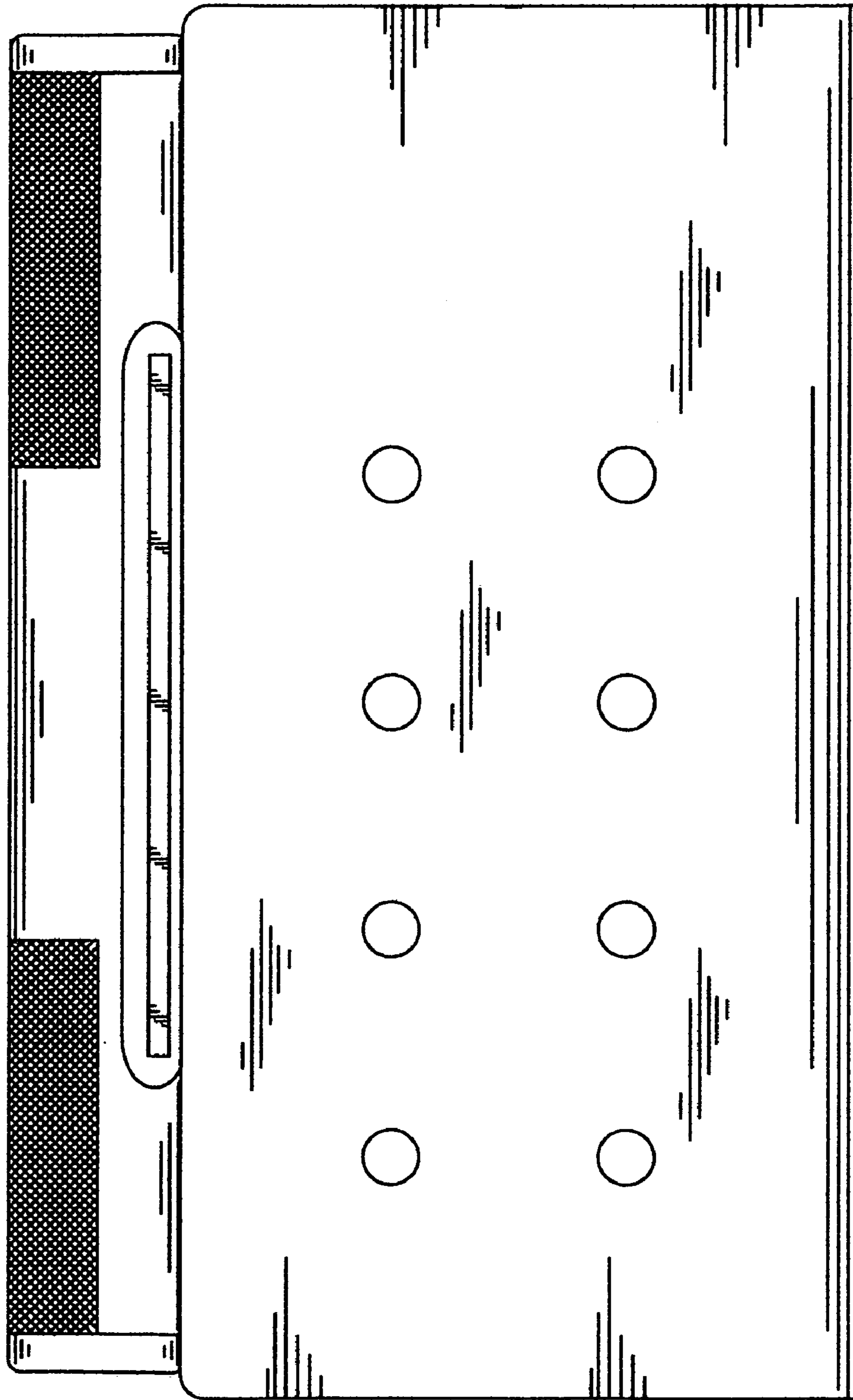


FIG. 12

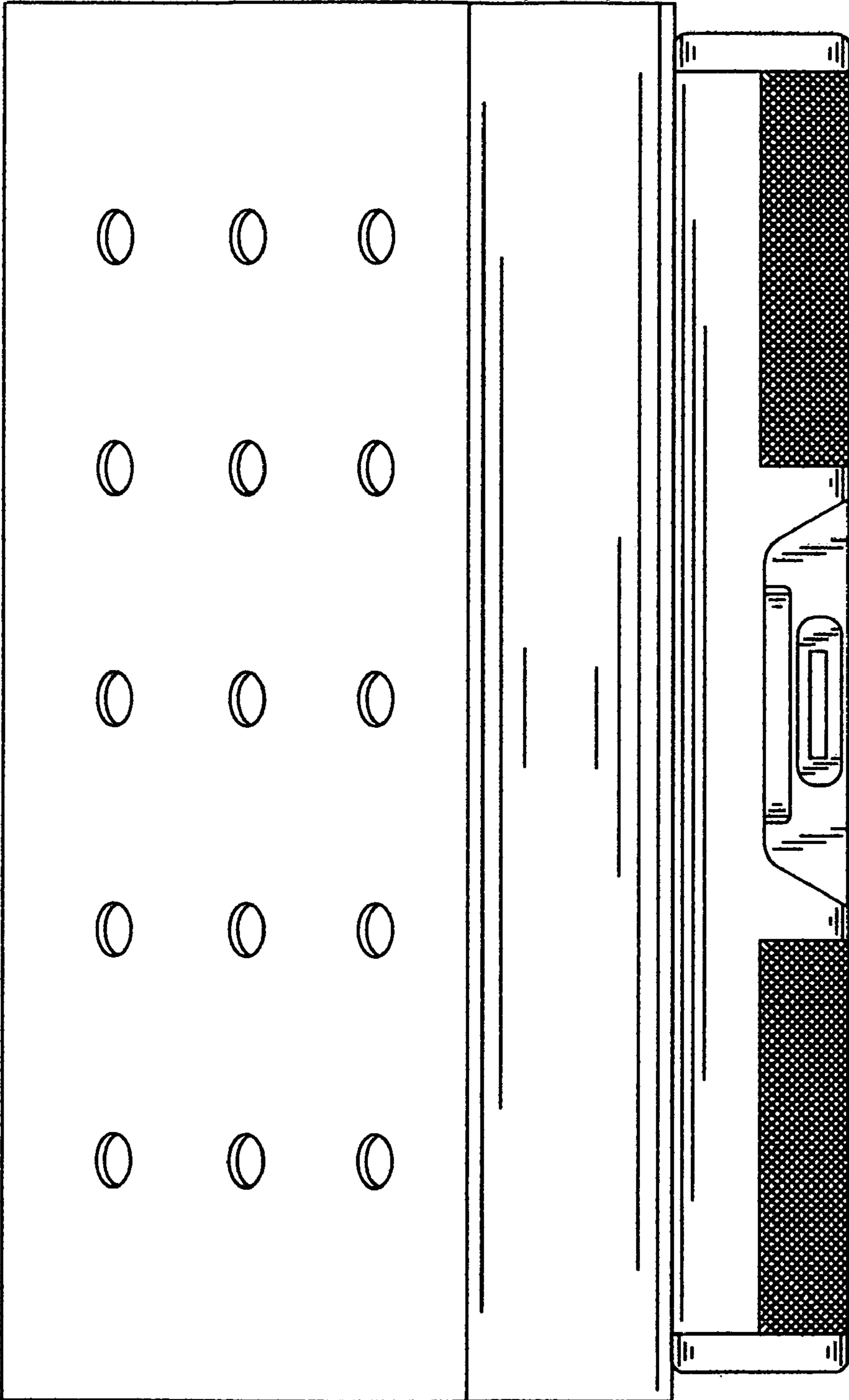


FIG. 13

