

US00D565543S

(12) **United States Design Patent**  
**Smith**

(10) **Patent No.:** **US D565,543 S**

(45) **Date of Patent:** **\*\* Apr. 1, 2008**

(54) **SPEAKERBOX**

(75) Inventor: **Anthony Smith**, Eindhoven (NL)

(73) Assignee: **Koninklijke Philips Electronics N.V.**,  
Eindhoven (NL)

(\*\*) Term: **14 Years**

(21) Appl. No.: **29/275,329**

(22) Filed: **Dec. 21, 2006**

(30) **Foreign Application Priority Data**

Jul. 28, 2006 (EM) ..... 000566906-0001

(51) **LOC (8) Cl.** ..... **14-01**

(52) **U.S. Cl.** ..... **D14/211**

(58) **Field of Classification Search** ..... D14/204,  
D14/209-216; 181/143-144, 147-148, 150,  
181/157, 198-199, 151, 153; 381/300-302,  
381/306, 333, 345, 361-364, 386-388, 332,  
381/336

See application file for complete search history.

(56) **References Cited**

**U.S. PATENT DOCUMENTS**

D378,591 S \* 3/1997 Brezovar ..... D14/214

D450,681 S \* 11/2001 Cunningham et al. .... D14/214

D496,348 S \* 9/2004 Juskiewicz et al. .... D14/211

D506,745 S \* 6/2005 Sitoh ..... D14/214

D507,559 S \* 7/2005 Sitoh ..... D14/214

\* cited by examiner

*Primary Examiner*—Nanda Bondade

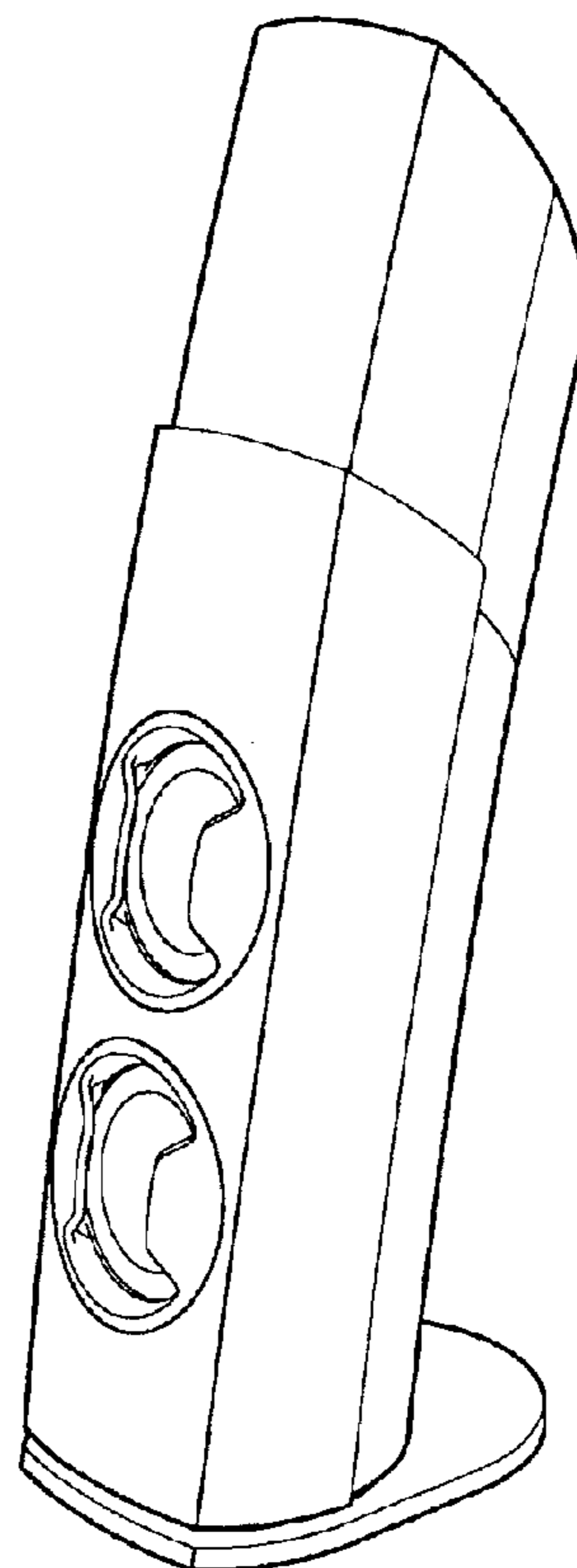
(57) **CLAIM**

The ornamental design for a speakerbox, as shown.

**DESCRIPTION**

FIG. 1 is a perspective view showing my design;  
FIG. 2 is a front elevational view thereof;  
FIG. 3 is a rear elevational view thereof;  
FIG. 4 is a right side elevation thereof;  
FIG. 5 is a left side elevational view thereof;  
FIG. 6 is a top plan view thereof; and,  
FIG. 7 is a bottom plan view thereof.

**1 Claim, 4 Drawing Sheets**



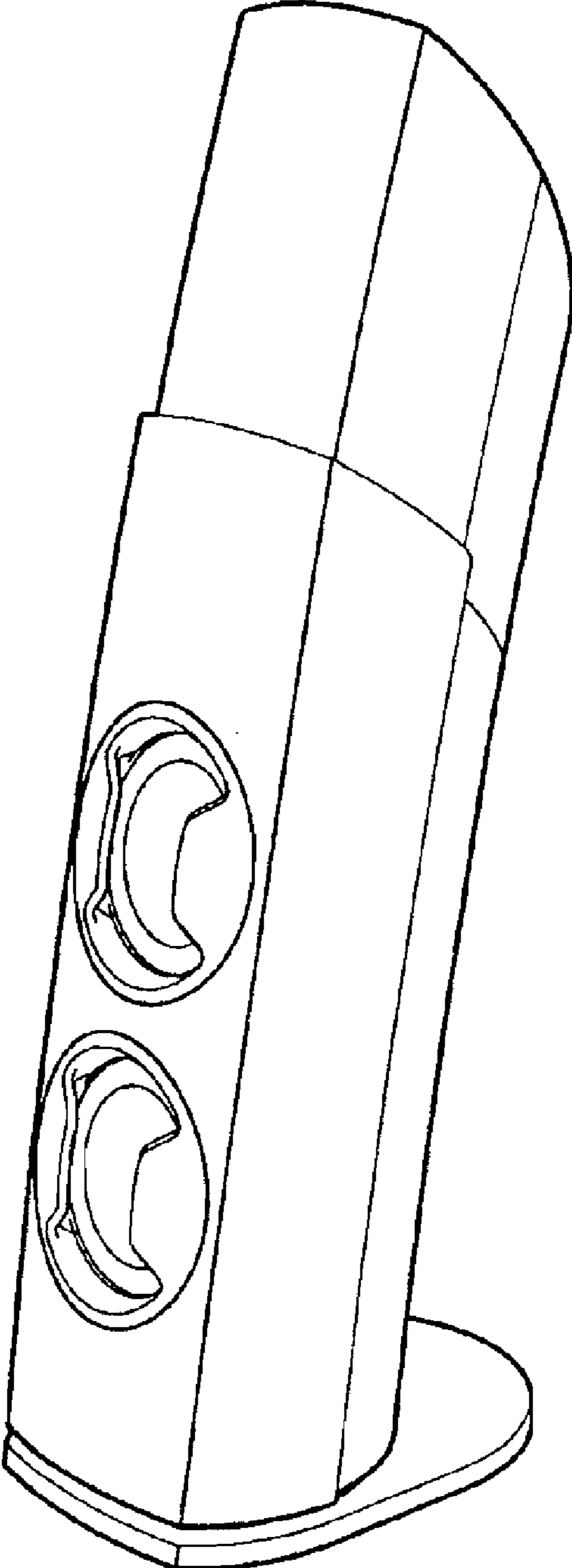


FIG. 1

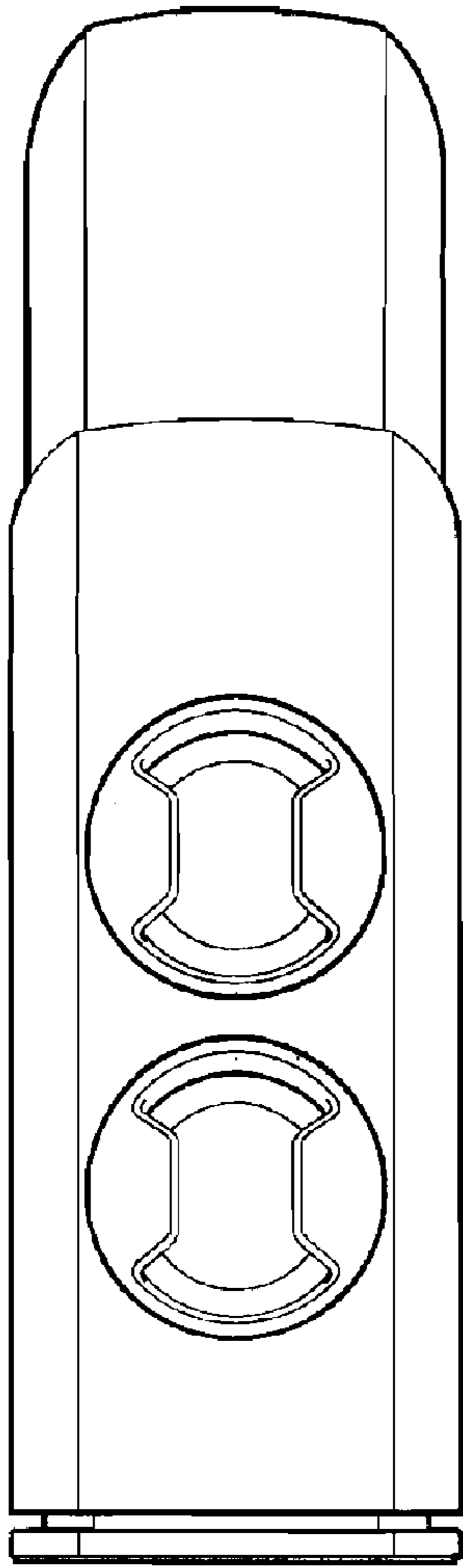


FIG. 2

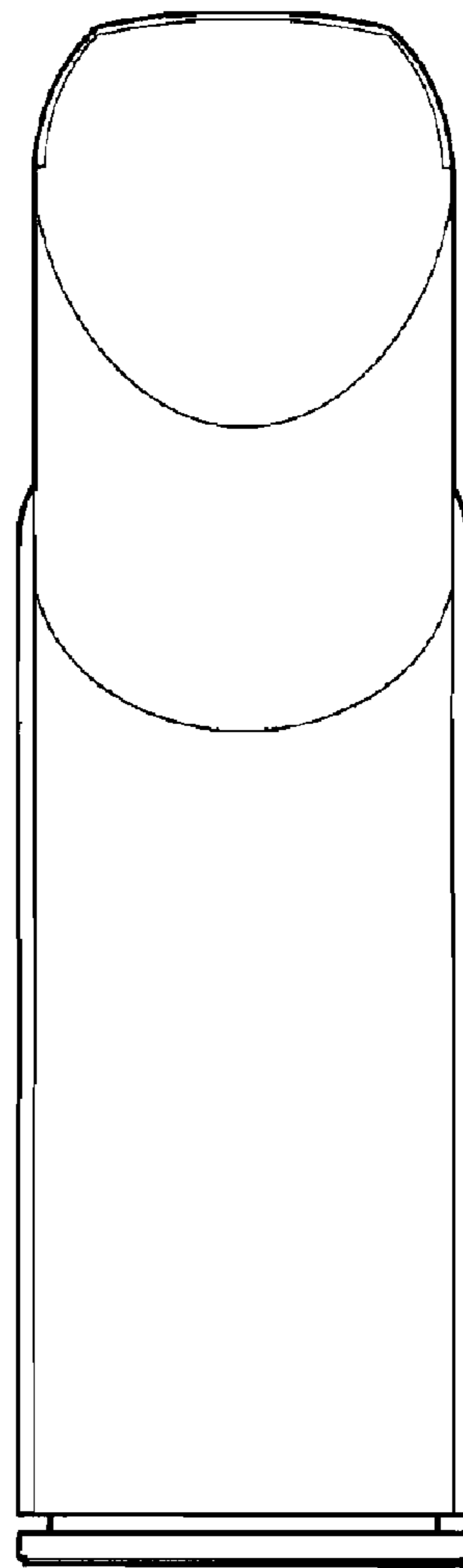


FIG. 3

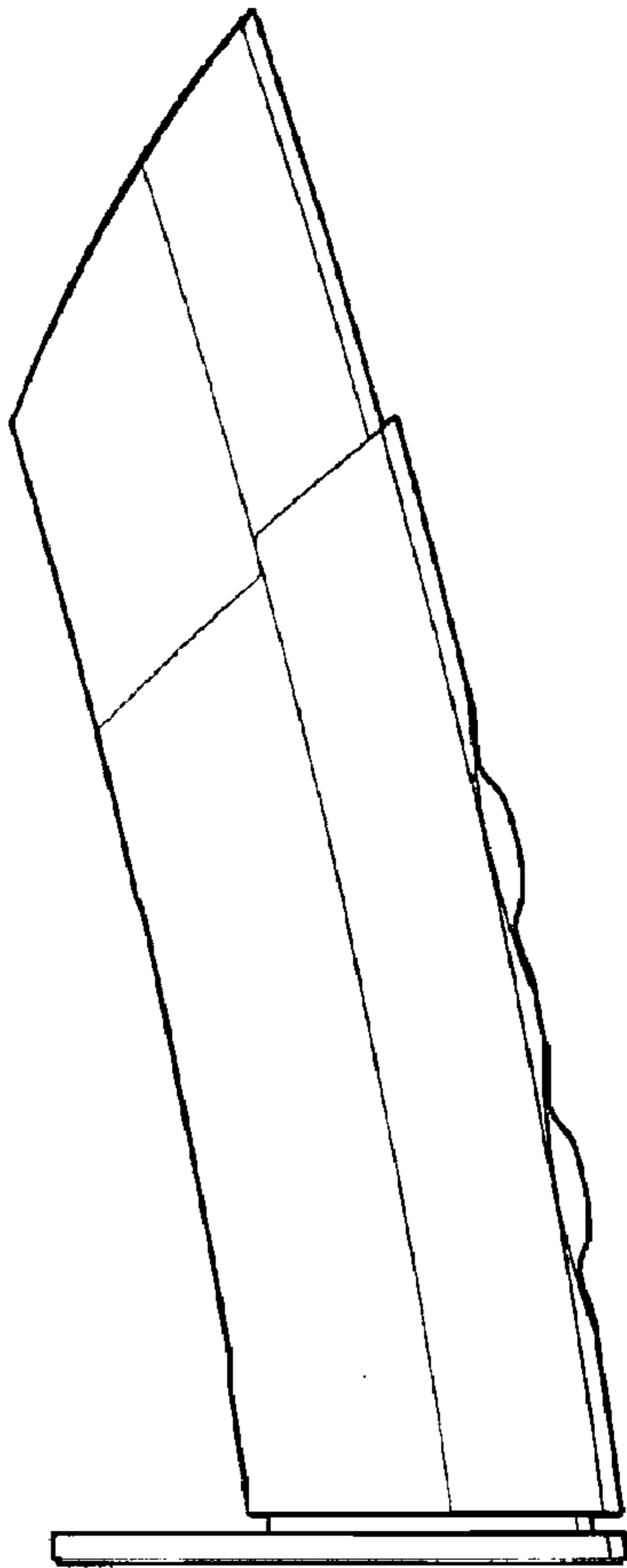


FIG. 4

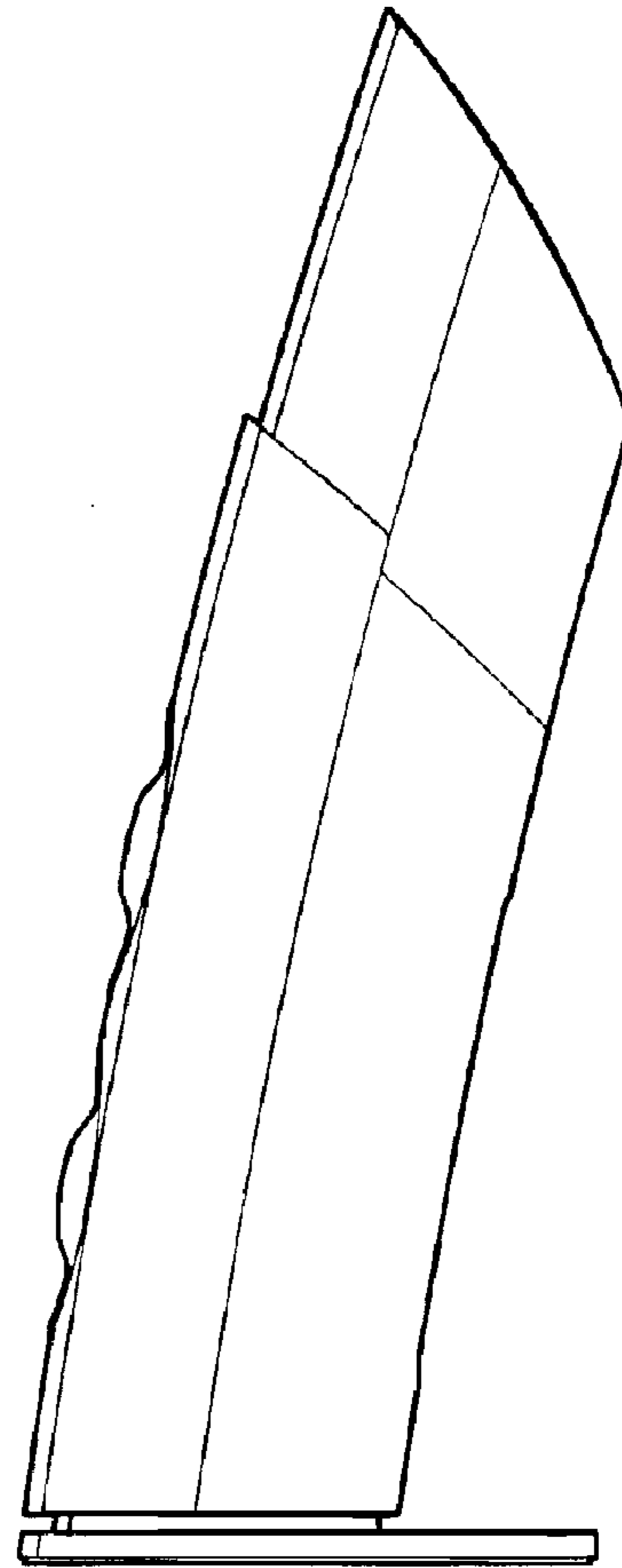


FIG. 5

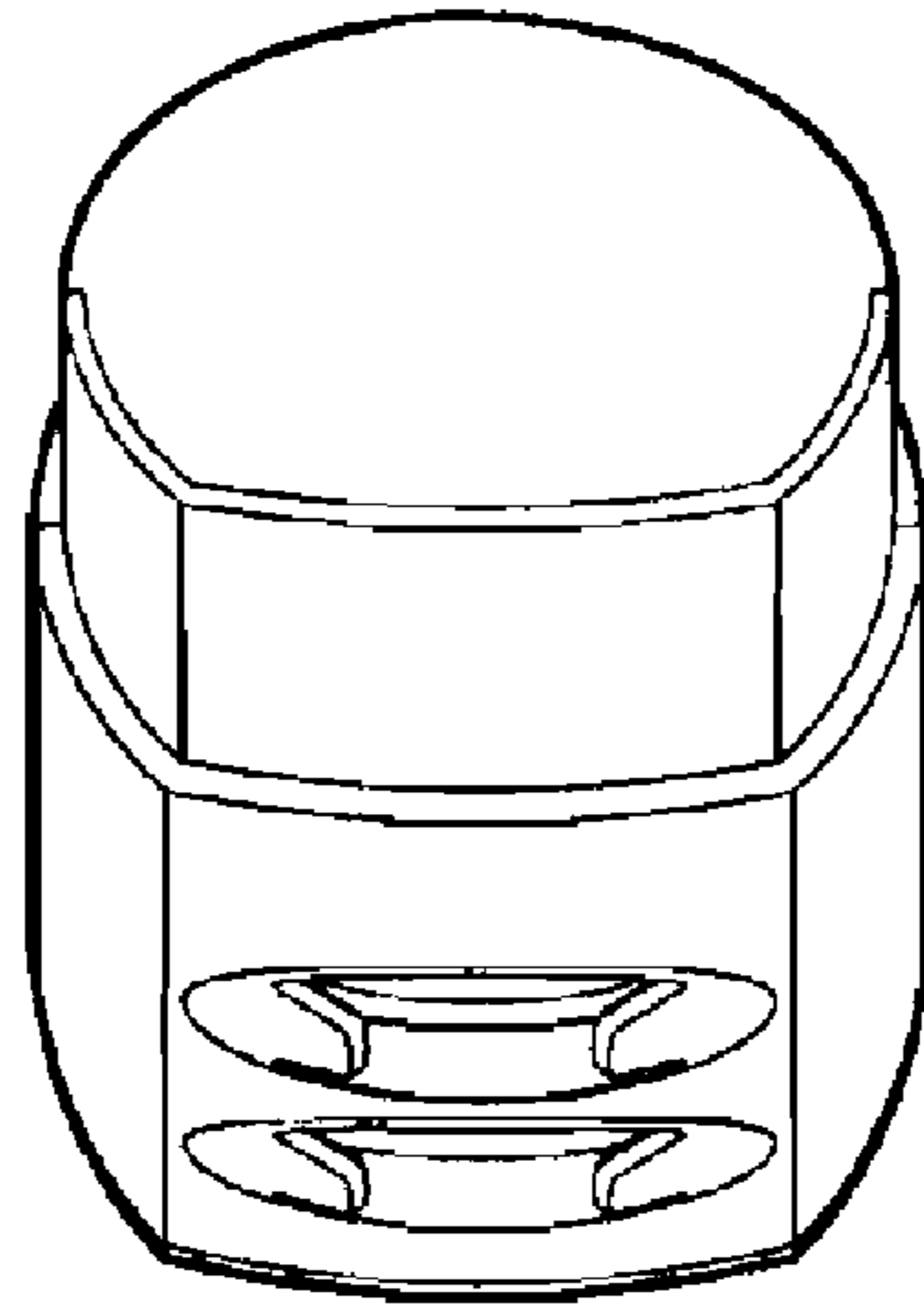


FIG. 6

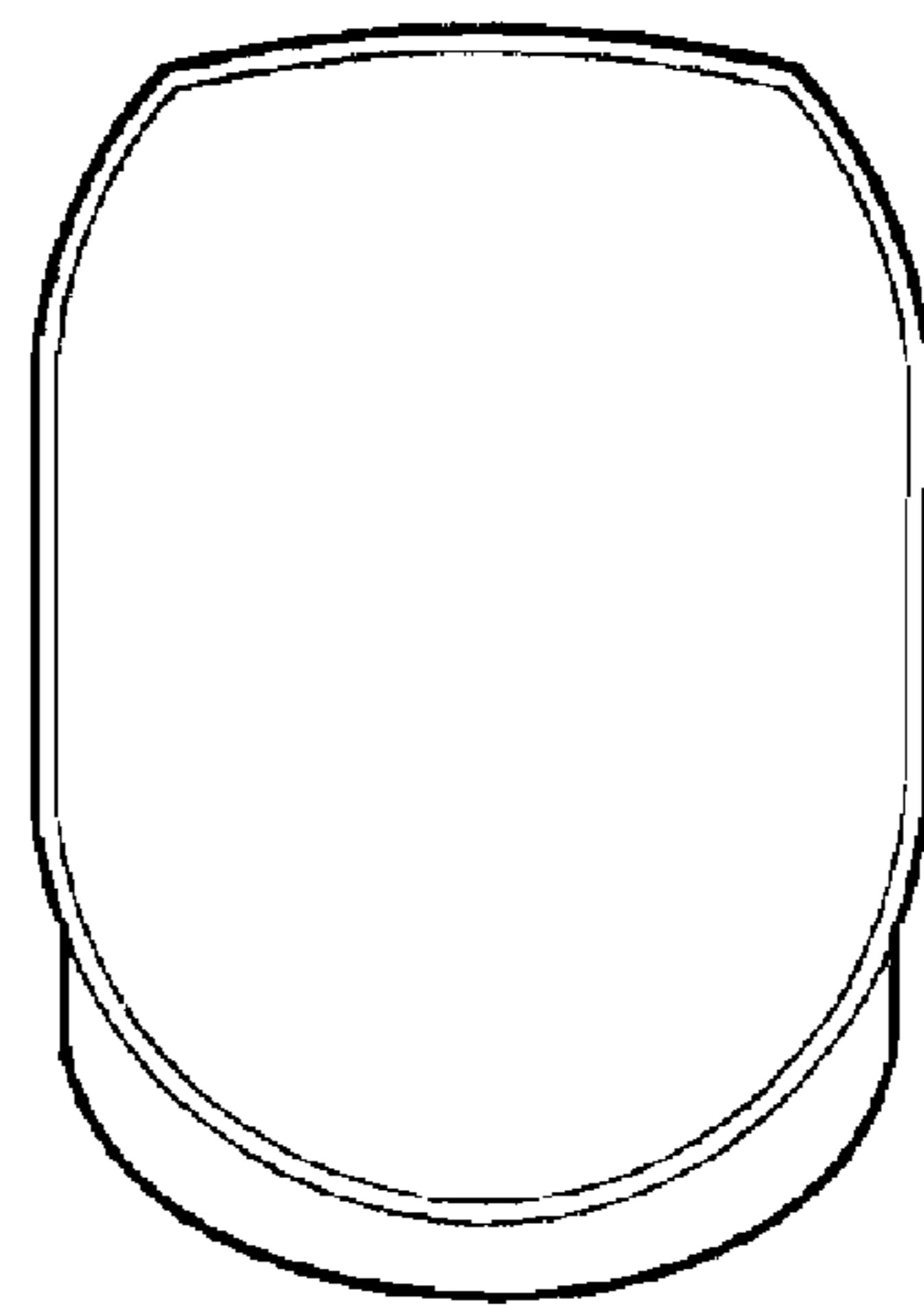


FIG. 7