

US00D565538S

(12) **United States Design Patent**
Bhavnani

(10) **Patent No.:** **US D565,538 S**

(45) **Date of Patent:** **** Apr. 1, 2008**

(54) **PHOTO FRAME RADIO WITH SCROLLING MESSAGE**

D545,692 S * 7/2007 Bhavnani D10/2
D545,694 S * 7/2007 Bhavnani D10/15
D547,204 S * 7/2007 Bhavnani D10/15
D558,460 S * 1/2008 Yu et al. D6/308

(75) Inventor: **Dilip Bhavnani**, Beverly Hills, CA (US)

* cited by examiner

(73) Assignee: **Sun Coast Merchandise Corporation**, Commerce, CA (US)

Primary Examiner—Stella M. Reid

Assistant Examiner—Keli L Acker

(**) Term: **14 Years**

(74) *Attorney, Agent, or Firm*—The Soni Law Firm

(21) Appl. No.: **29/249,363**

(57) **CLAIM**

(22) Filed: **Oct. 3, 2006**

The ornamental design for a photo frame radio with scrolling message, as shown and described.

(51) **LOC (8) Cl.** **14-03**

(52) **U.S. Cl.** **D14/189; D14/168; D6/310**

(58) **Field of Classification Search** D14/137, D14/138, 155, 160–171, 188, 191, 192, 193–198, D14/217, 265, 299, 496, 125, 129, 189; D10/2; 345/156–158; 369/6–12; 370/342–344; 455/90.1–90.3, 344–355, 899; D6/300, 308, D6/310

DESCRIPTION

See application file for complete search history.

FIG. 1 is a front side perspective view of my new design with the phantom lines depicting environmental structure and forming no part of the claimed design;

FIG. 2 is a front elevational view thereof with the phantom lines depicting environmental structure and forming no part of the claimed design;

FIG. 3 is a top plan view thereof;

FIG. 4 is a right side elevational view thereof;

FIG. 5 is a left side elevational view thereof;

FIG. 6 is a back elevational view thereof; and,

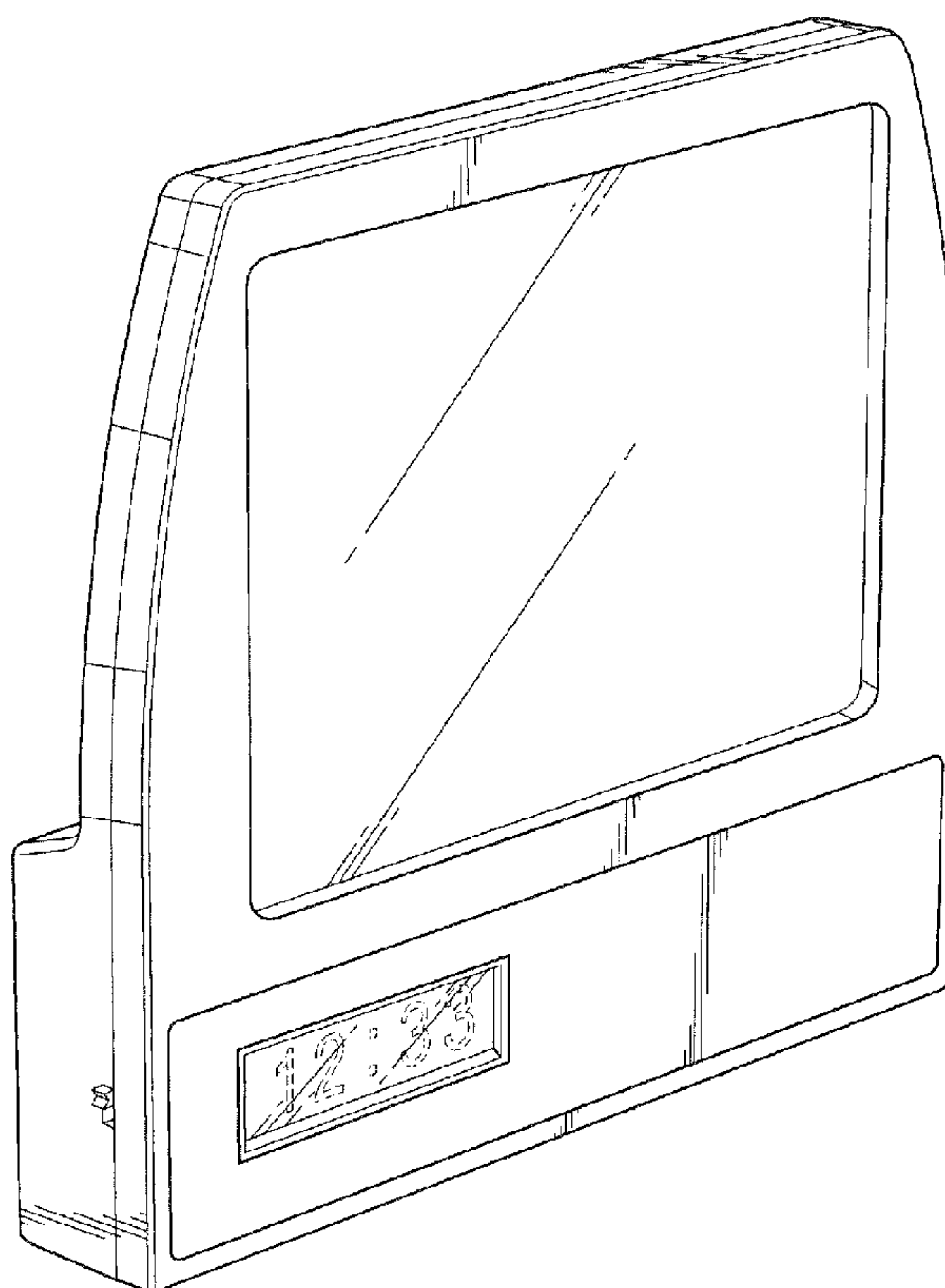
FIG. 7 is a bottom plan view thereof.

(56) **References Cited**

U.S. PATENT DOCUMENTS

D379,458 S * 5/1997 Muller et al. D14/168
5,794,371 A * 8/1998 Camillery 40/717
D435,841 S * 1/2001 Thousand D14/168
D451,082 S * 11/2001 Jerome D14/171
D503,285 S * 3/2005 Chen et al. D6/300

1 Claim, 3 Drawing Sheets



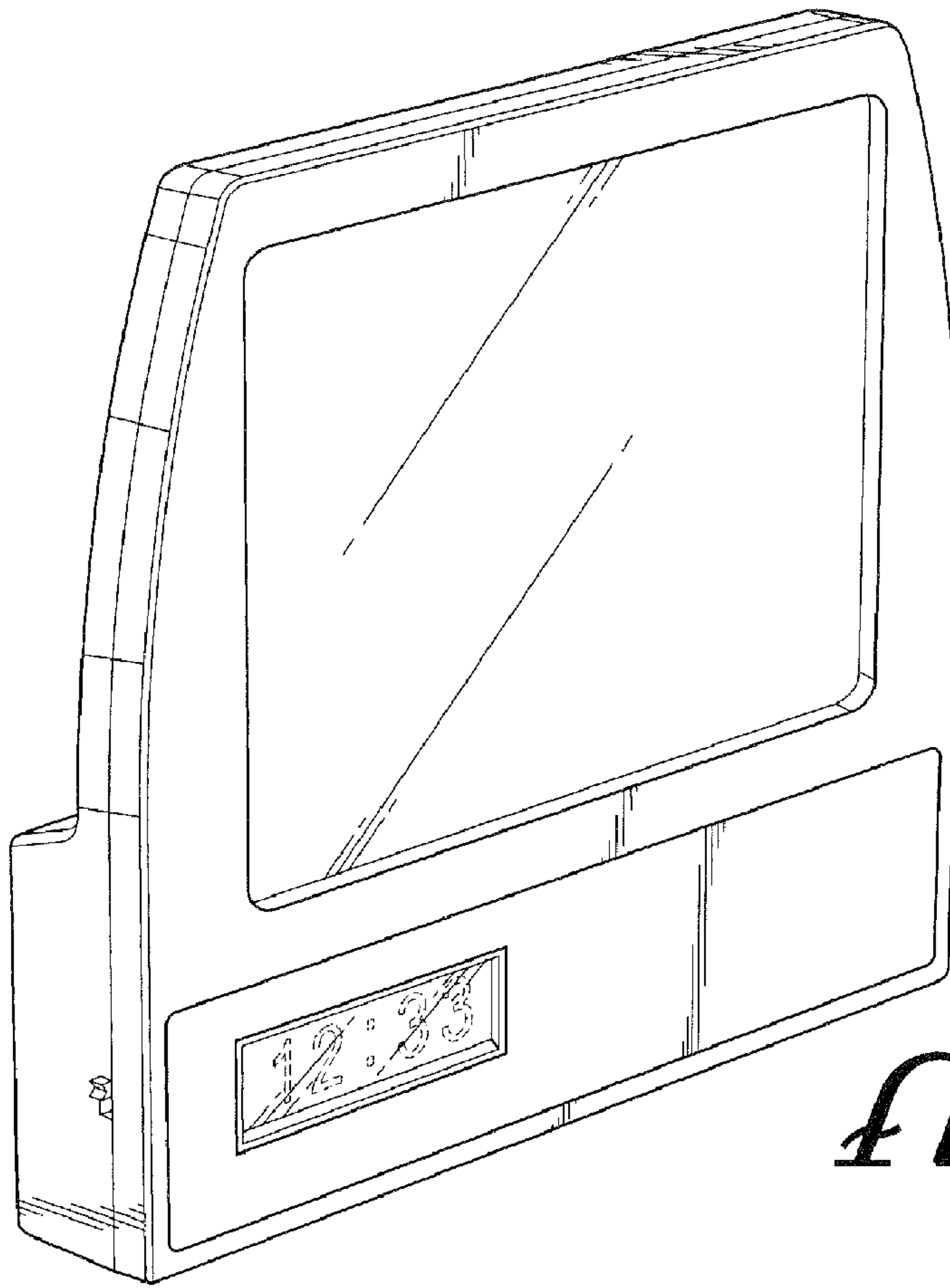


FIG. 1

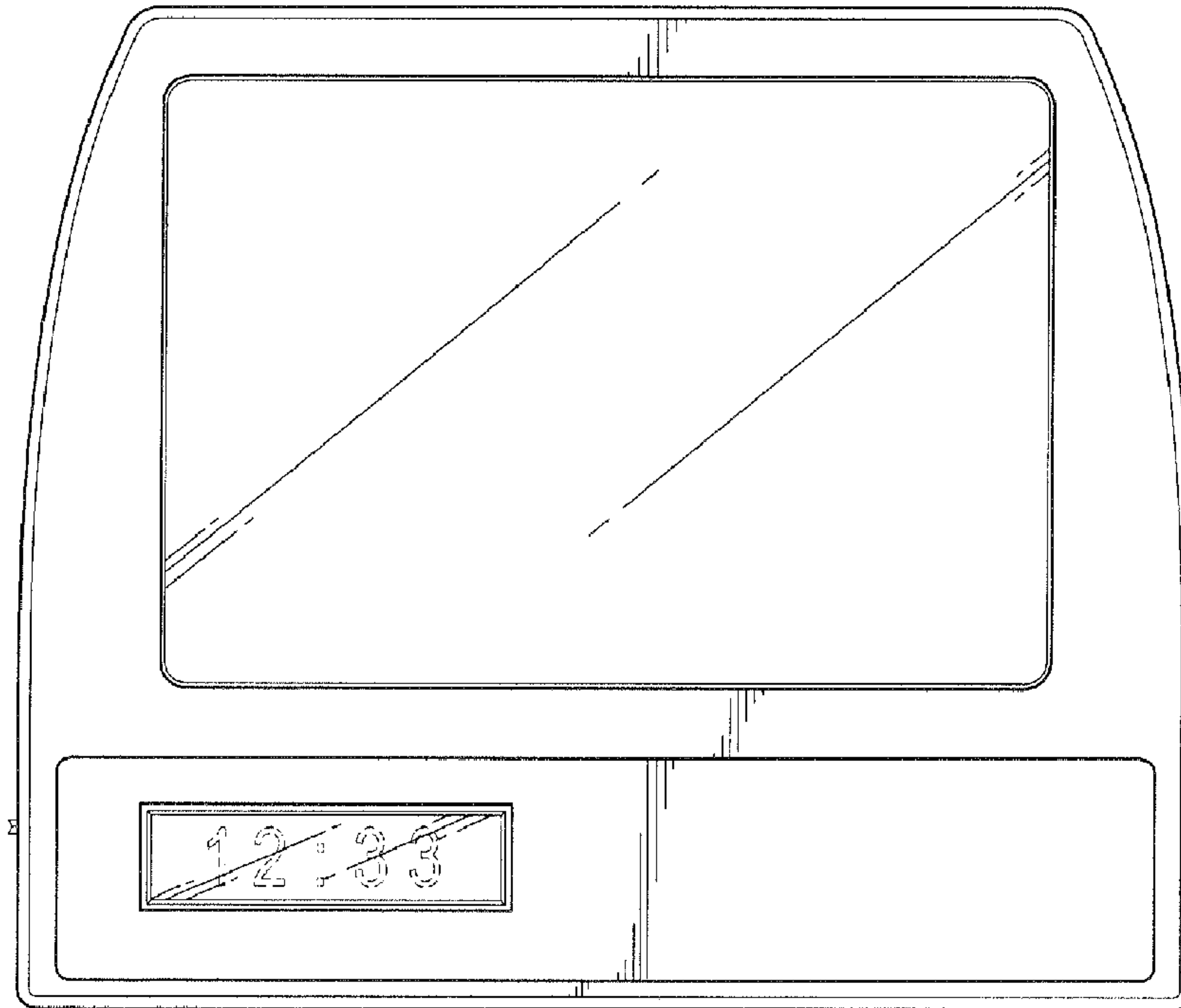


FIG. 2

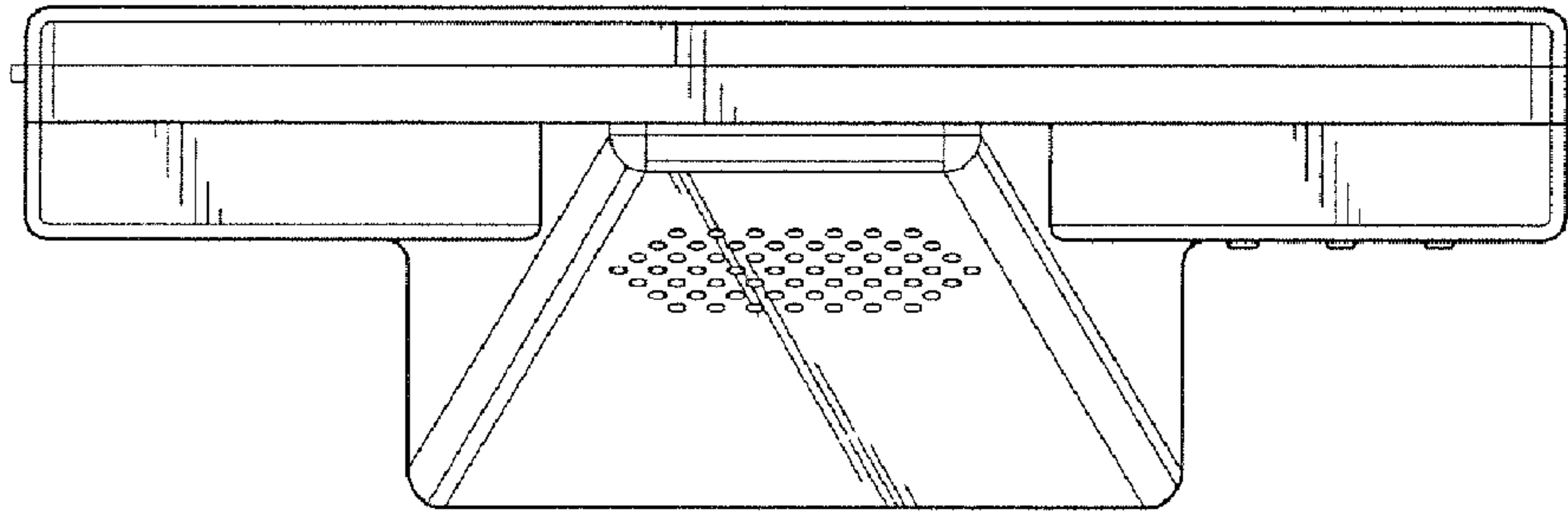


FIG. 3

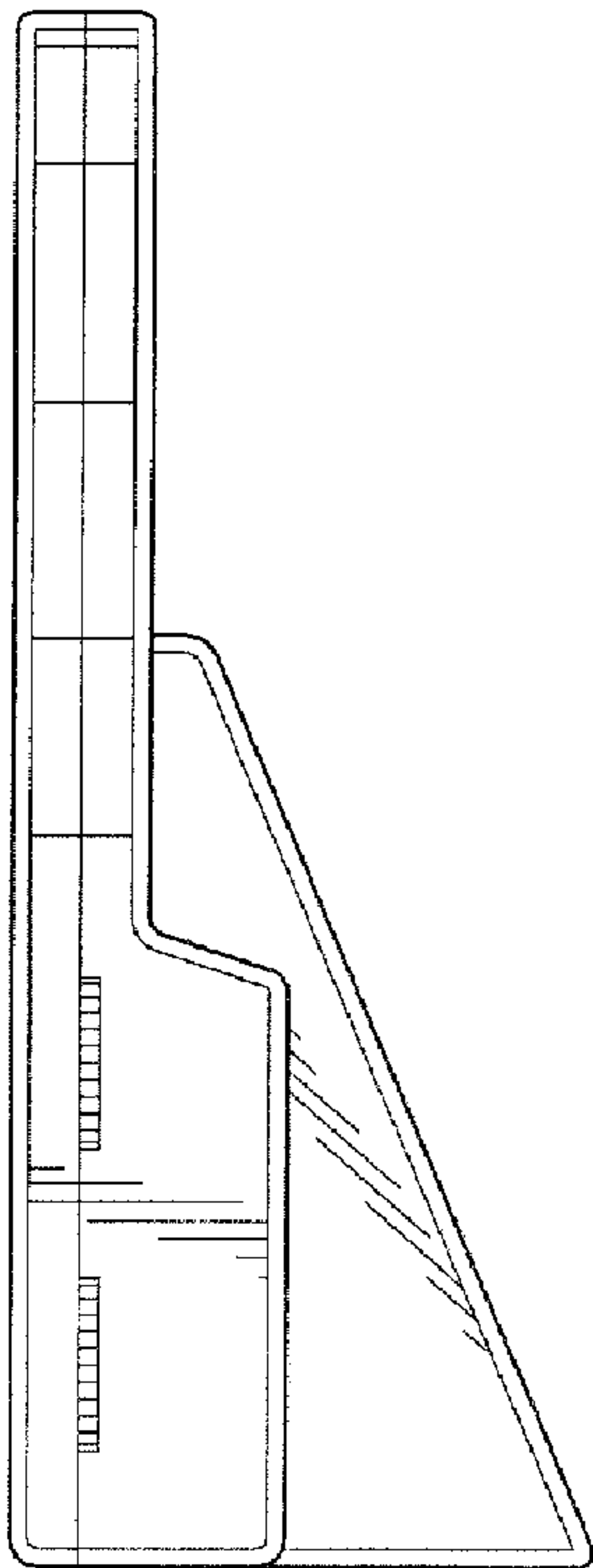


FIG. 4

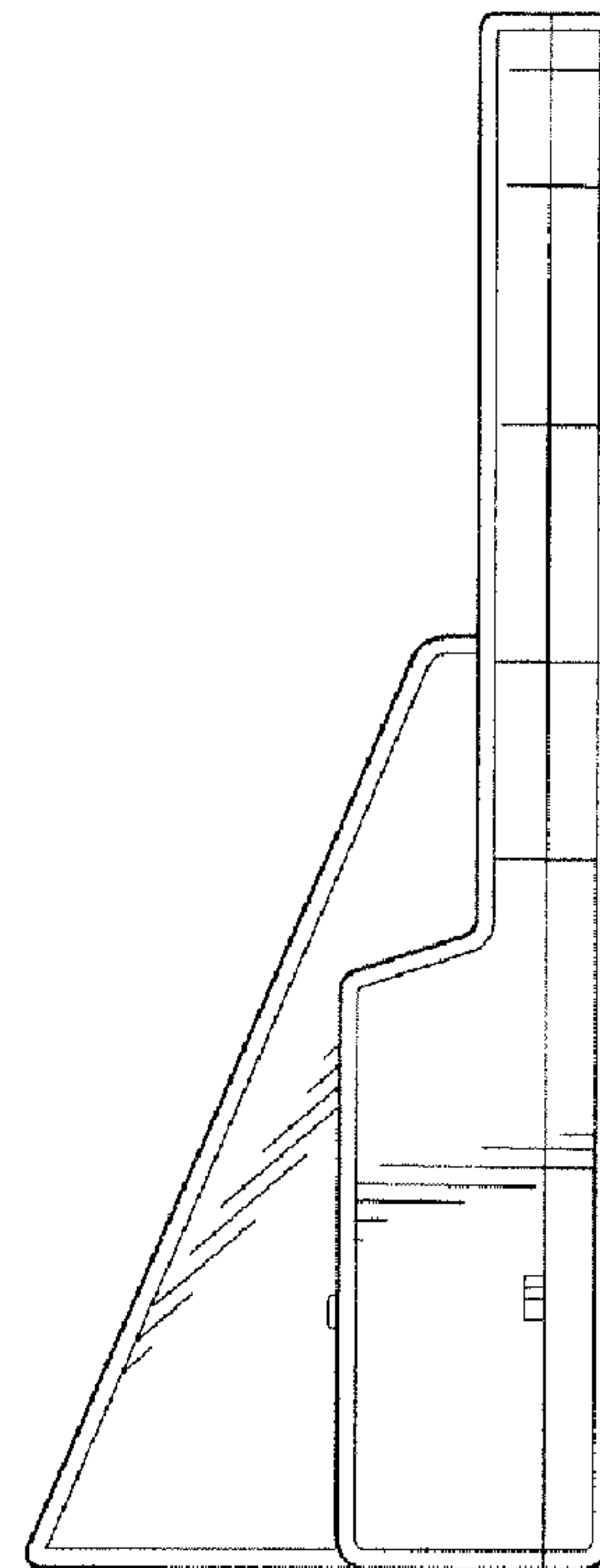


FIG. 5

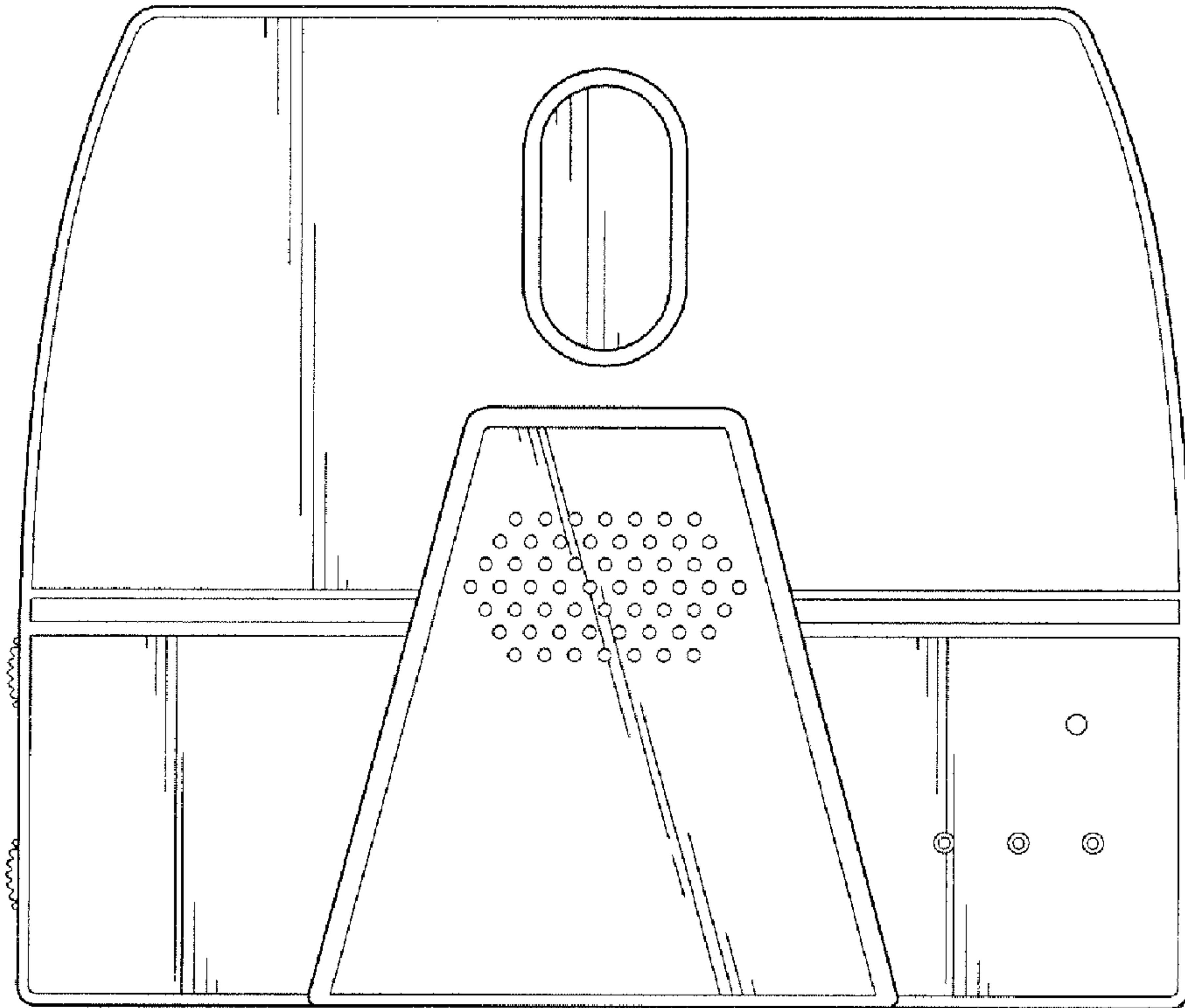


FIG. 6

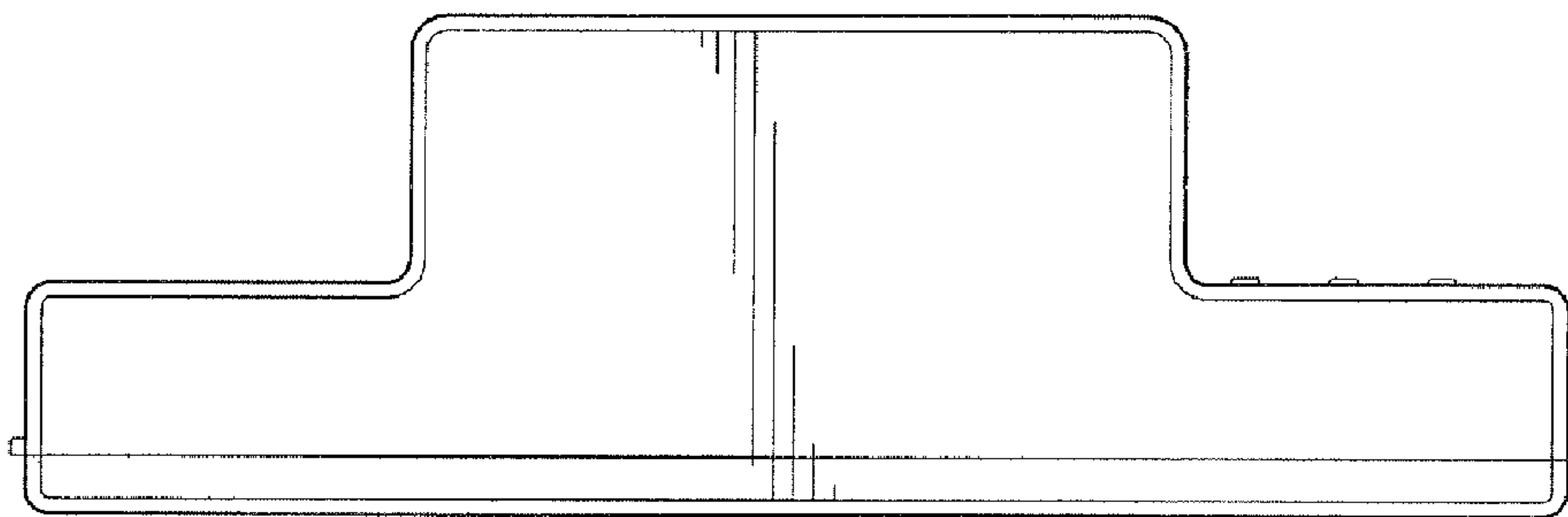


FIG. 7