

US00D565536S

(12) **United States Design Patent**  
**Obata**

(10) **Patent No.:** **US D565,536 S**

(45) **Date of Patent:** **\*\* Apr. 1, 2008**

(54) **COMBINED RADIO RECEIVER AND CLOCK**

(75) Inventor: **Shinichi Obata**, Tokyo (JP)

(73) Assignee: **Sony Corporation**, Tokyo (JP)

(\*\*) Term: **14 Years**

(21) Appl. No.: **29/266,442**

(22) Filed: **Sep. 21, 2006**

(51) **LOC (8) Cl.** ..... **14-03**

(52) **U.S. Cl.** ..... **D14/171**

(58) **Field of Classification Search** ..... D14/137,  
D14/155, 156, 168, 170, 171, 193-198, 217,  
D14/496; D10/1, 2, 15; 312/7.1; 369/6-12;  
455/91, 95, 100, 128, 344, 347, 350, 351  
See application file for complete search history.

(56) **References Cited**

**U.S. PATENT DOCUMENTS**

|              |         |                  |       |         |
|--------------|---------|------------------|-------|---------|
| D412,853 S * | 8/1999  | Kokkinis         | ..... | D10/15  |
| D414,491 S * | 9/1999  | Kokkinis         | ..... | D14/171 |
| D416,901 S * | 11/1999 | Duke             | ..... | D14/171 |
| D417,215 S * | 11/1999 | Kokkinis         | ..... | D14/171 |
| D434,749 S * | 12/2000 | Ito et al.       | ..... | D14/168 |
| D449,589 S   | 10/2001 | Ishibashi et al. |       |         |
| D450,680 S * | 11/2001 | Yuyama           | ..... | D14/198 |
| D468,719 S * | 1/2003  | Cuvelier         | ..... | D14/171 |

|              |         |          |       |         |
|--------------|---------|----------|-------|---------|
| D496,649 S   | 9/2004  | Murakami |       |         |
| D499,715 S   | 12/2004 | Zeitman  |       |         |
| D533,864 S * | 12/2006 | Yokoyama | ..... | D14/168 |
| D549,212 S * | 8/2007  | Wada     | ..... | D14/171 |

\* cited by examiner

*Primary Examiner*—Stella M. Reid

*Assistant Examiner*—Keli' L. Acker

(74) *Attorney, Agent, or Firm*—Rader, Fishman & Grauer, PLLC

(57) **CLAIM**

The ornamental design for a combined radio receiver and clock, as shown.

**DESCRIPTION**

FIG. 1 is a perspective view of a combined radio receiver and clock showing my new design;

FIG. 2 is a front elevational view thereof;

FIG. 3 is a rear elevational view thereof;

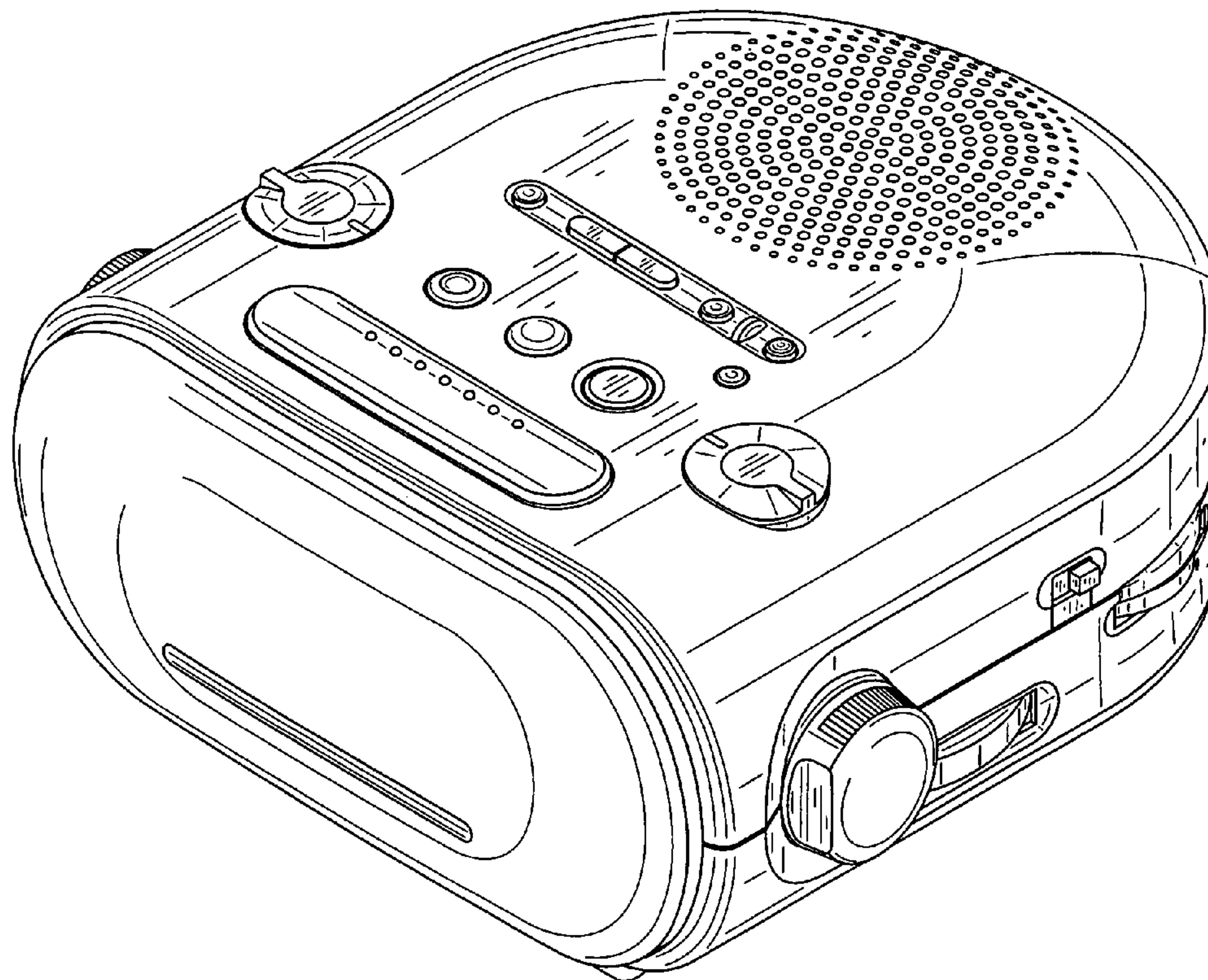
FIG. 4 is a left side elevational view thereof;

FIG. 5 is a right side elevational view thereof;

FIG. 6 is a top plan view thereof; and,

FIG. 7 is a bottom plan view thereof.

**1 Claim, 7 Drawing Sheets**



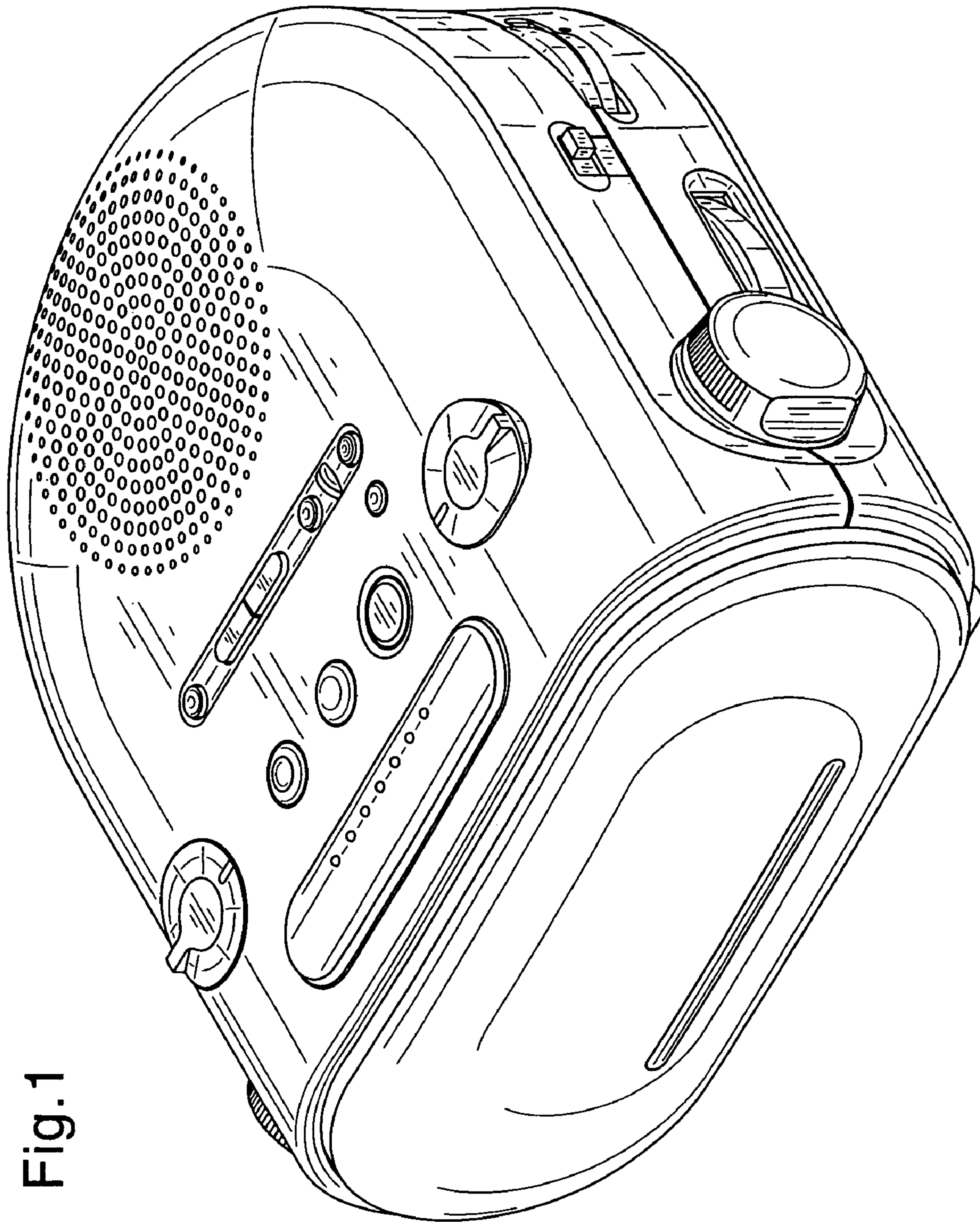


Fig.1

Fig.2

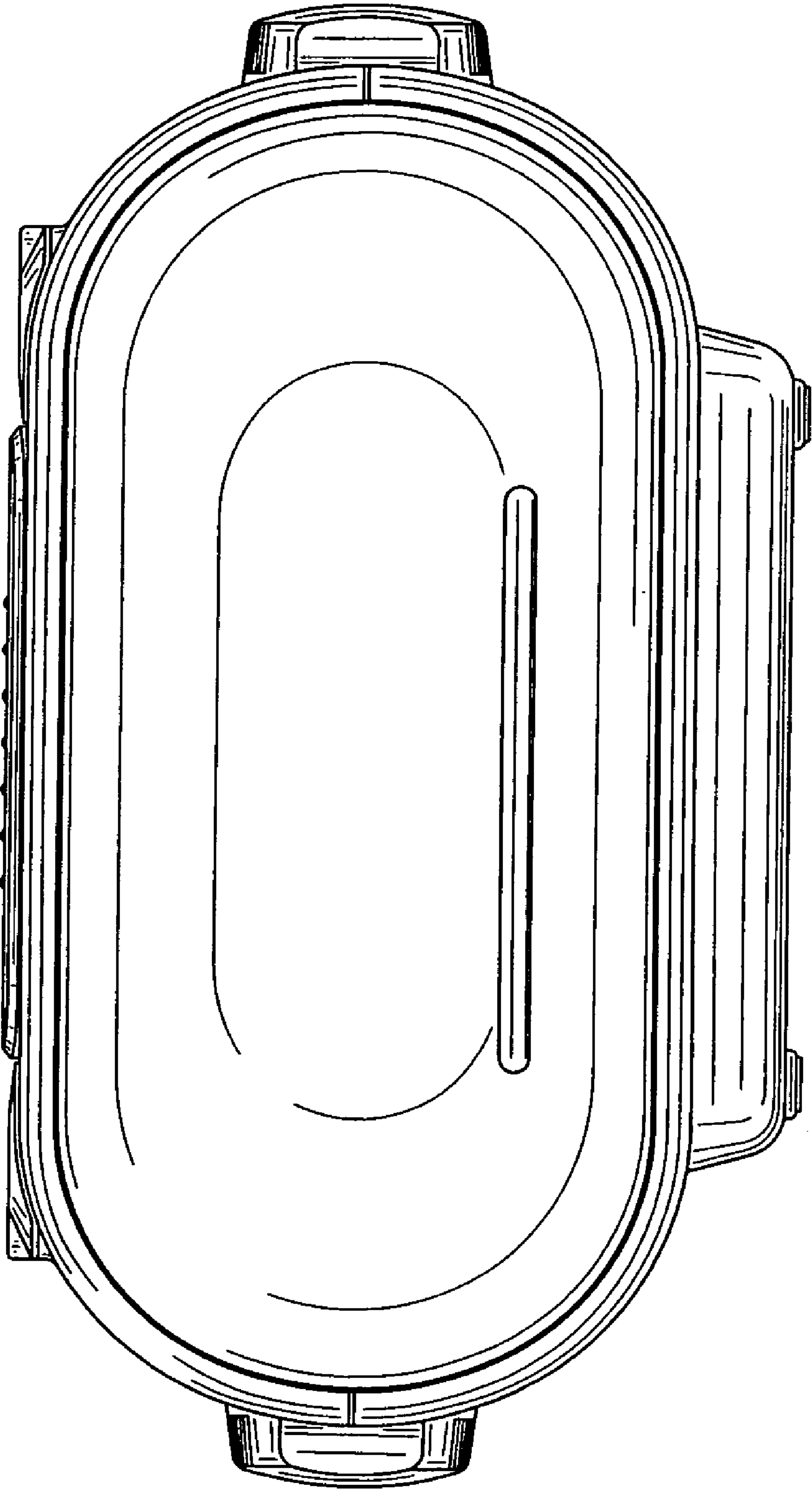




Fig. 3

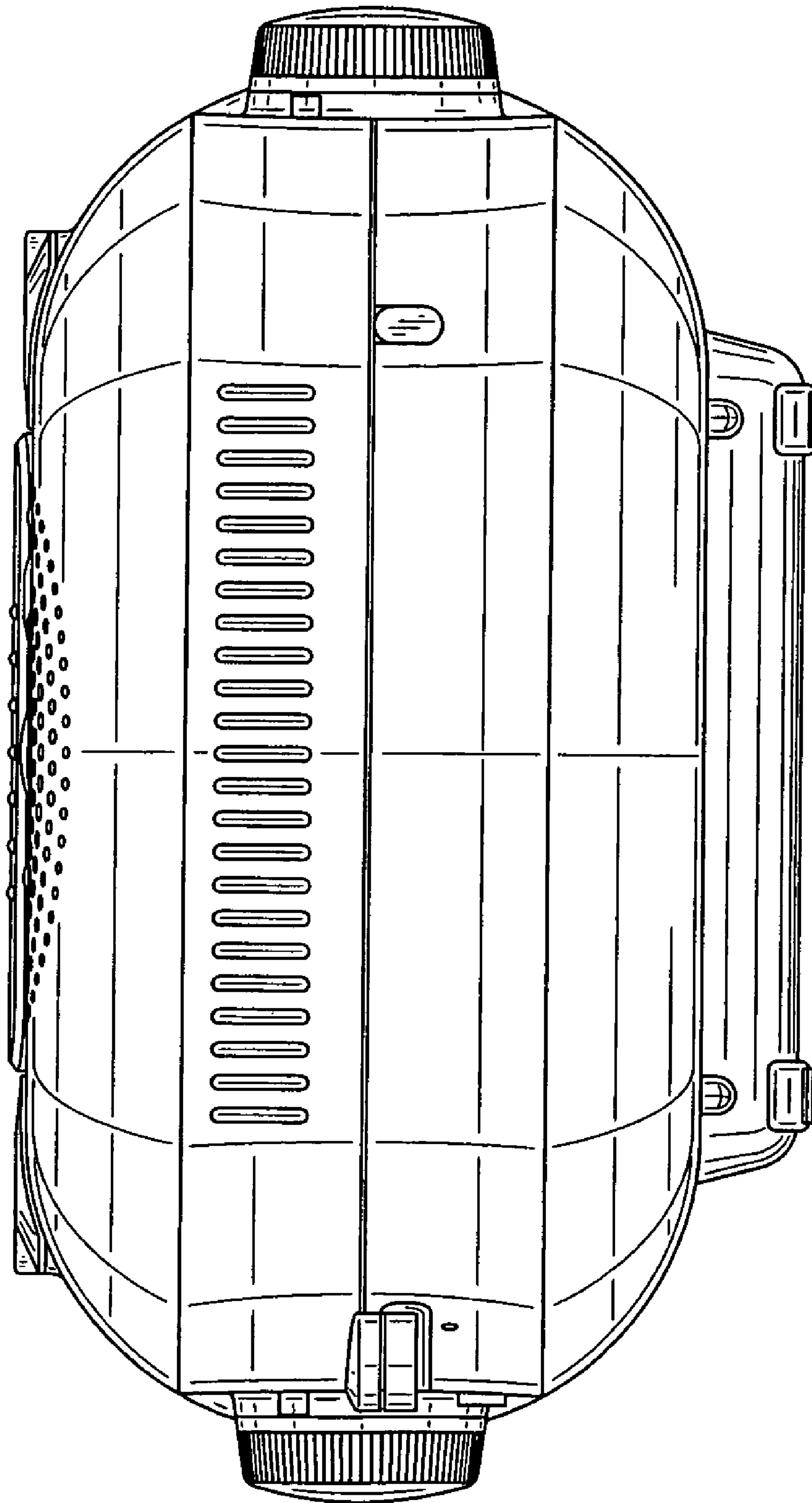


Fig.4

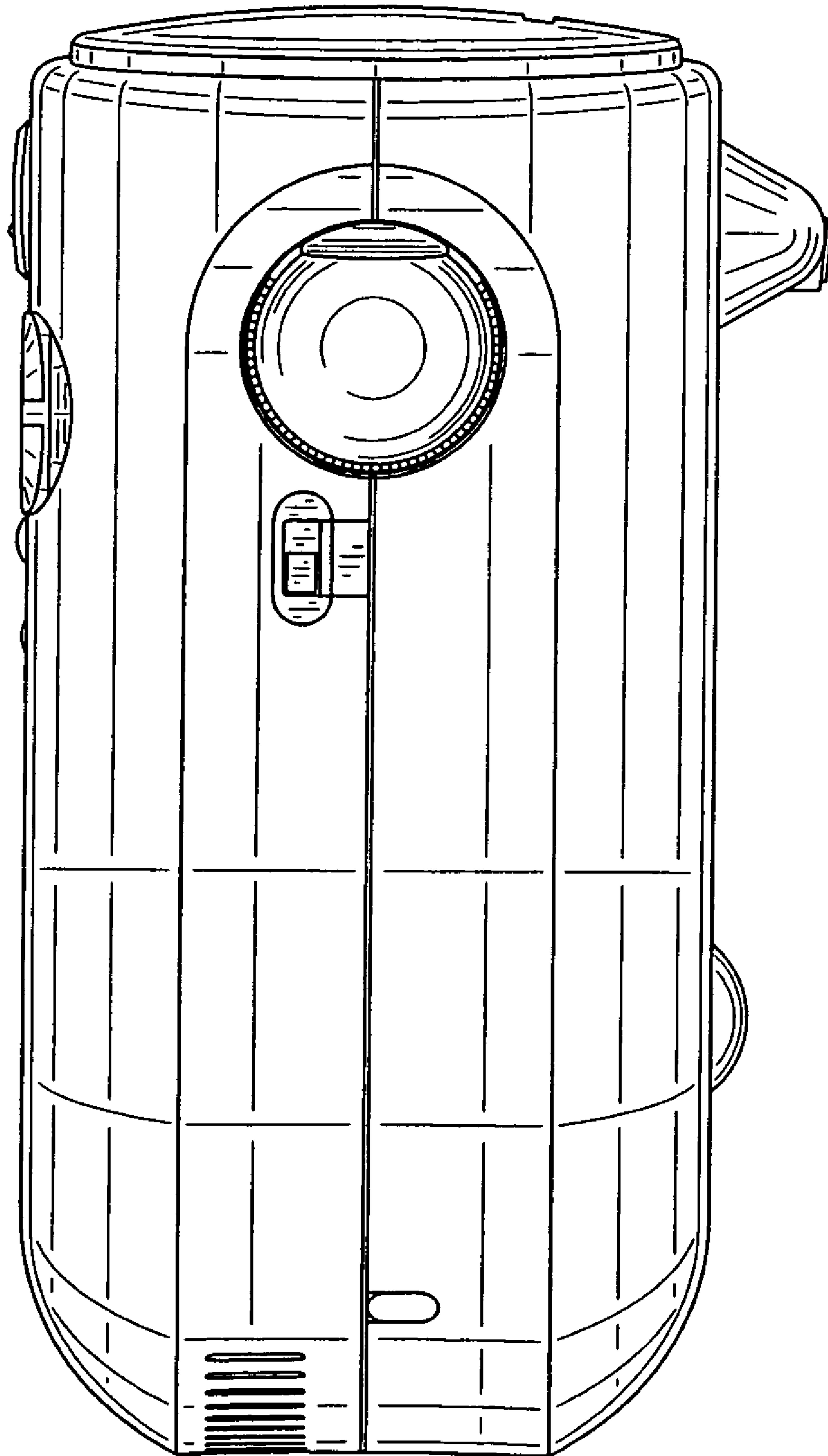
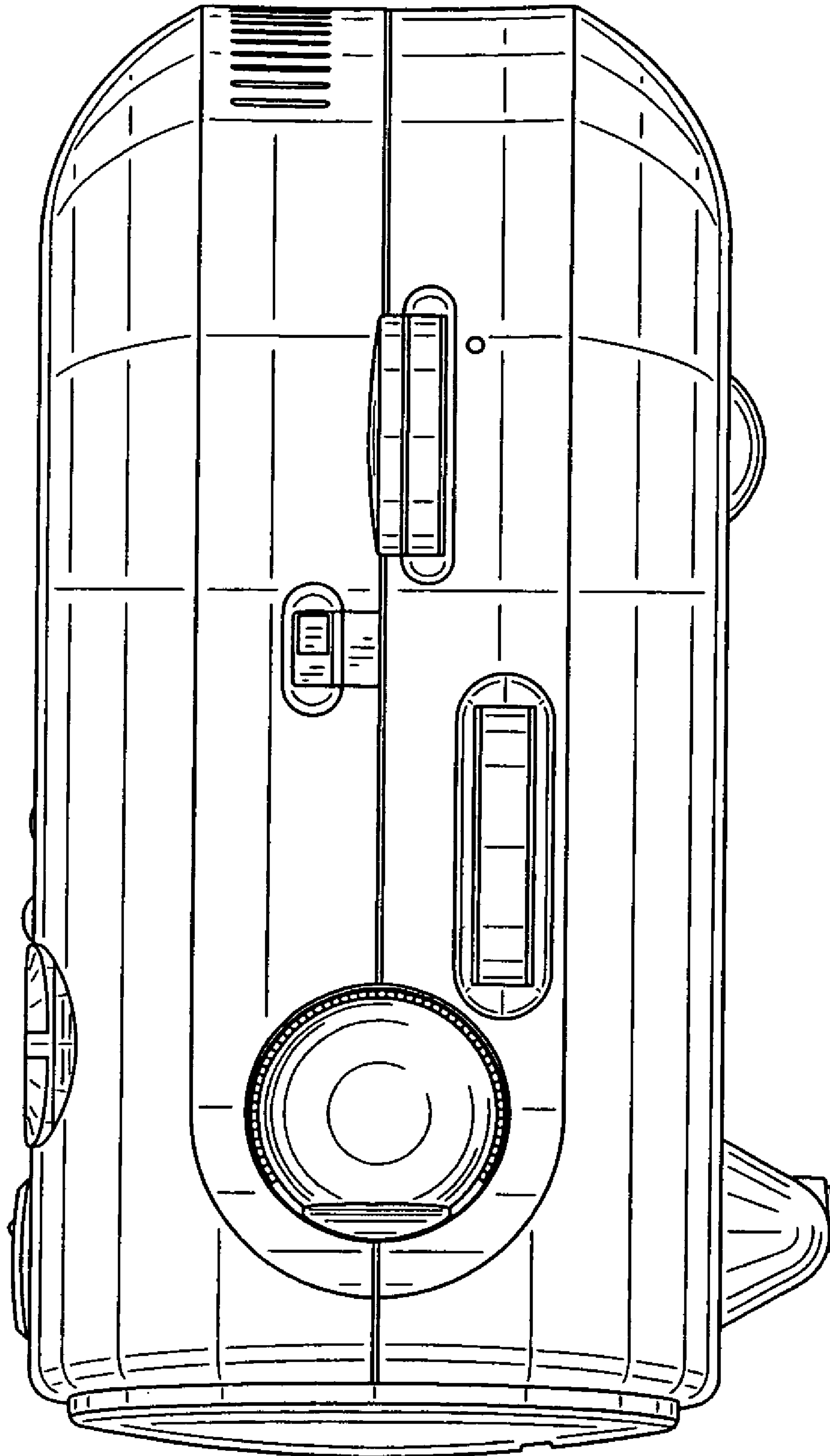


Fig. 5



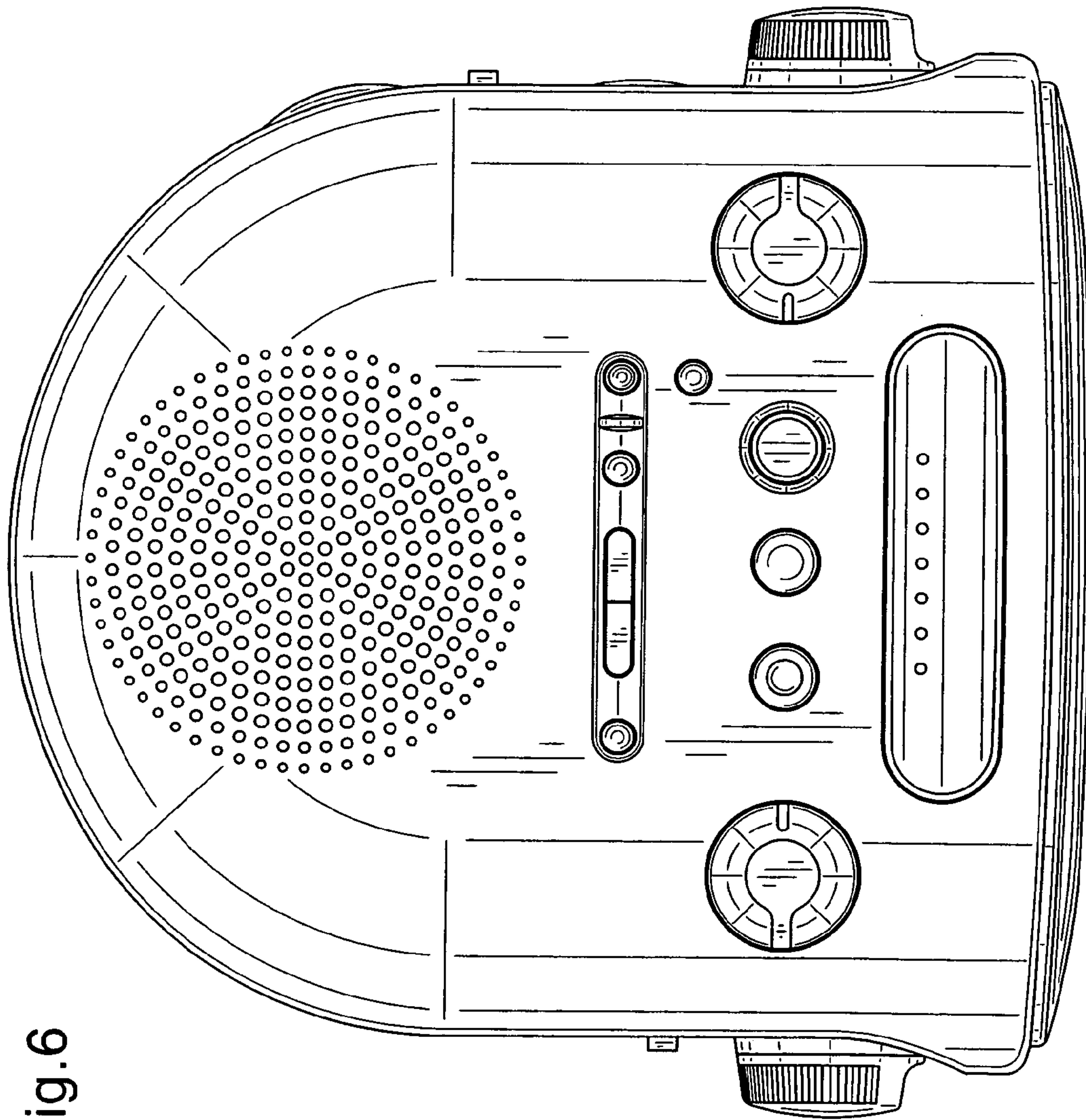


Fig.6

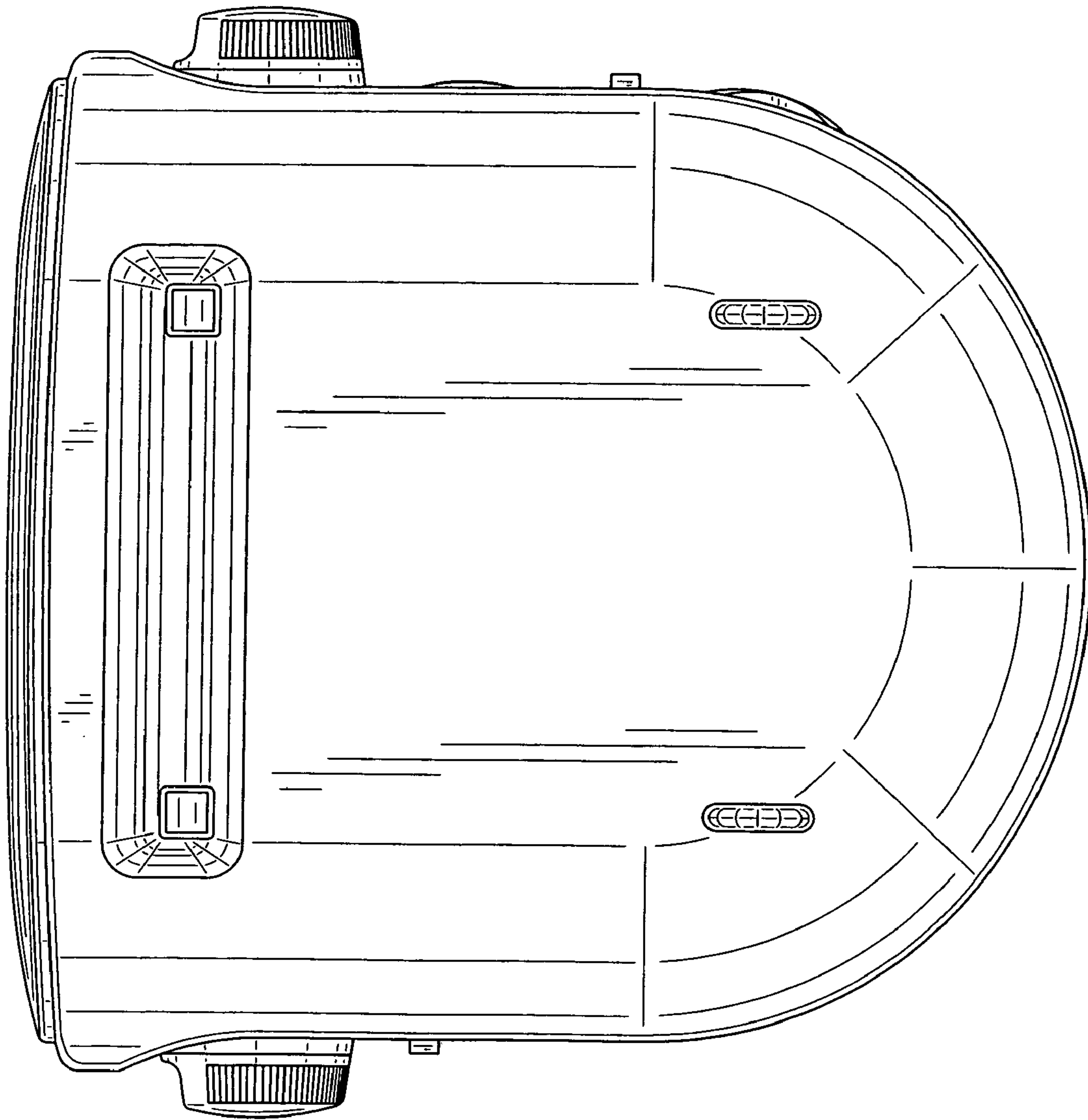


Fig. 7