



US00D565527S

(12) **United States Design Patent** (10) **Patent No.:** **US D565,527 S**
Riggs (45) **Date of Patent:** **** Apr. 1, 2008**

(54) **MULTIPLY INTERCONNECTABLE ENVIRONMENTALLY INTERACTIVE CHARACTER SIMULATION MODULE**

(76) Inventor: **Andrew J. Riggs**, 1105 Brittany Pl., Lewisville, TX (US) 75077

(**) Term: **14 Years**

(21) Appl. No.: **29/280,962**

(22) Filed: **Jun. 11, 2007**

D311,003 S	10/1990	Isonaga	
D314,958 S	2/1991	Miyahara et al.	
D315,556 S	3/1991	Lim	
D325,201 S	4/1992	Nakatsuka	
D353,805 S	12/1994	Lewis	
5,537,127 A *	7/1996	Jingu	345/1.3
5,709,304 A *	1/1998	Credle, Jr.	206/501
D397,370 S	8/1998	Chen	
D415,744 S *	10/1999	Carter et al.	D14/373
D420,662 S	2/2000	Amron	
D439,223 S *	3/2001	Sheckler	D14/127
2006/0154711 A1 *	7/2006	Ellis et al.	463/30
2006/0172787 A1 *	8/2006	Ellis et al.	463/1

Related U.S. Application Data

(63) Continuation of application No. 29/233,875, filed on Jul. 11, 2005, now Pat. No. Des. 545,785.

(51) **LOC (8) Cl.** **14-03**

(52) **U.S. Cl.** **D14/129; D14/126; D21/515; D21/499**

(58) **Field of Classification Search** D14/125-134, D14/239, 371, 136, 374-377; 312/7.2; 348/836, 348/838, 180, 184, 325, 739; 341/12; 248/917-924, 248/465; 345/104, 133, 156, 168, 87, 173; 720/605, 669, 600, 655; 369/99, 197; 455/344-347
 See application file for complete search history.

(56) **References Cited**

U.S. PATENT DOCUMENTS

D248,947 S *	8/1978	Graham	D14/129
4,239,231 A *	12/1980	Henderson	273/293
D276,343 S	11/1984	Enomoto	
D281,502 S *	11/1985	Wheeler	D14/496
4,552,541 A *	11/1985	Bolli	446/91
4,833,542 A *	5/1989	Hara et al.	348/383
4,884,068 A *	11/1989	Matheny et al.	345/1.3

OTHER PUBLICATIONS

Constructive Playthings, p. 338, 1987-1988.*

* cited by examiner

Primary Examiner—Raphael Barkai

(74) *Attorney, Agent, or Firm*—Bell, Boyd & Lloyd LLP

(57) **CLAIM**

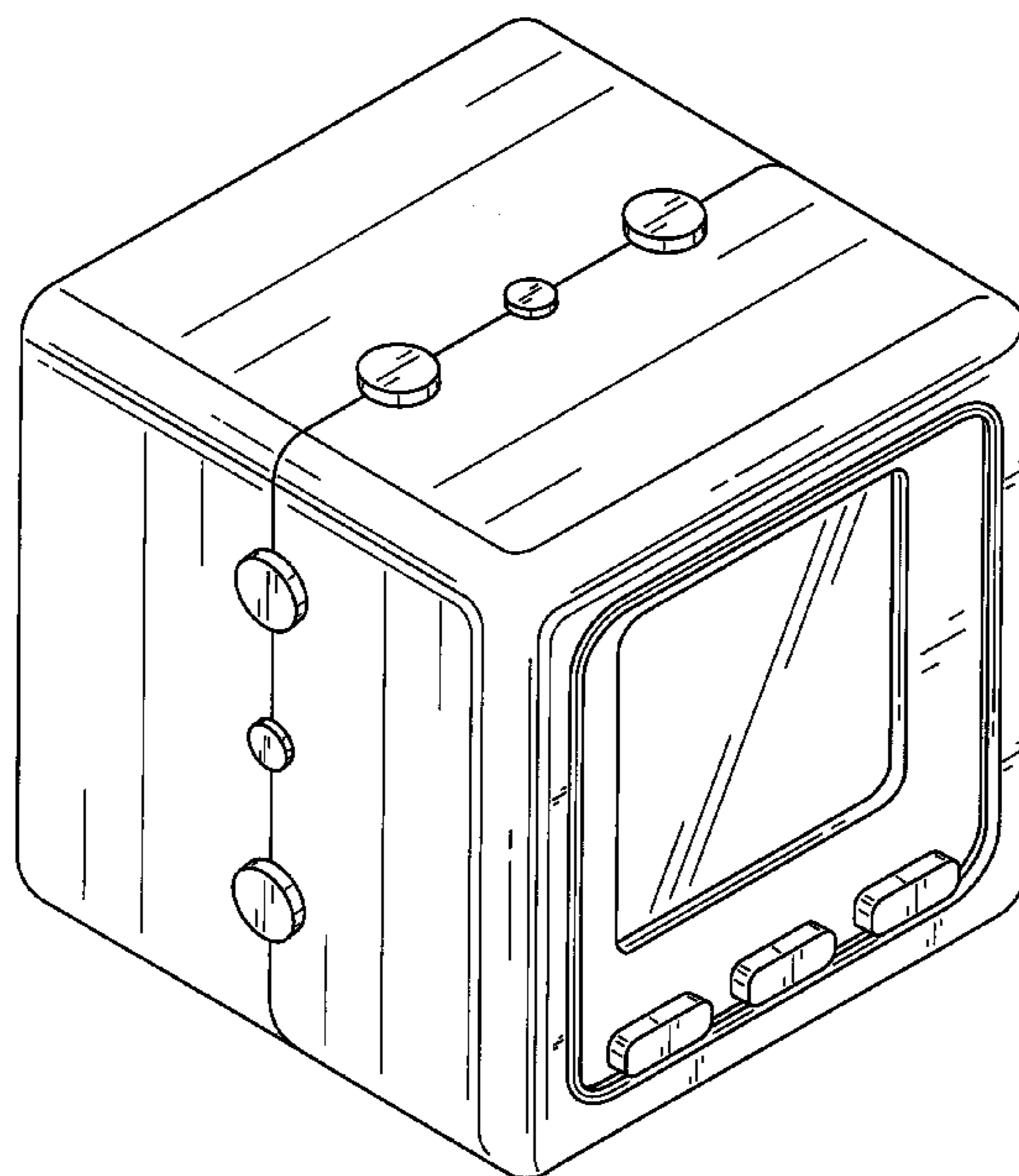
The ornamental design for a multiply interconnectable environmentally interactive character simulation module, as shown and described herein.

DESCRIPTION

FIG. 1 illustrates a perspective view of a multiply interconnectable environmentally interactive character simulation module showing the front, left and top sides; and,

FIG. 2 illustrates a left side view of the multiply interconnectable environmentally interactive character simulation module of FIG. 1.

1 Claim, 2 Drawing Sheets



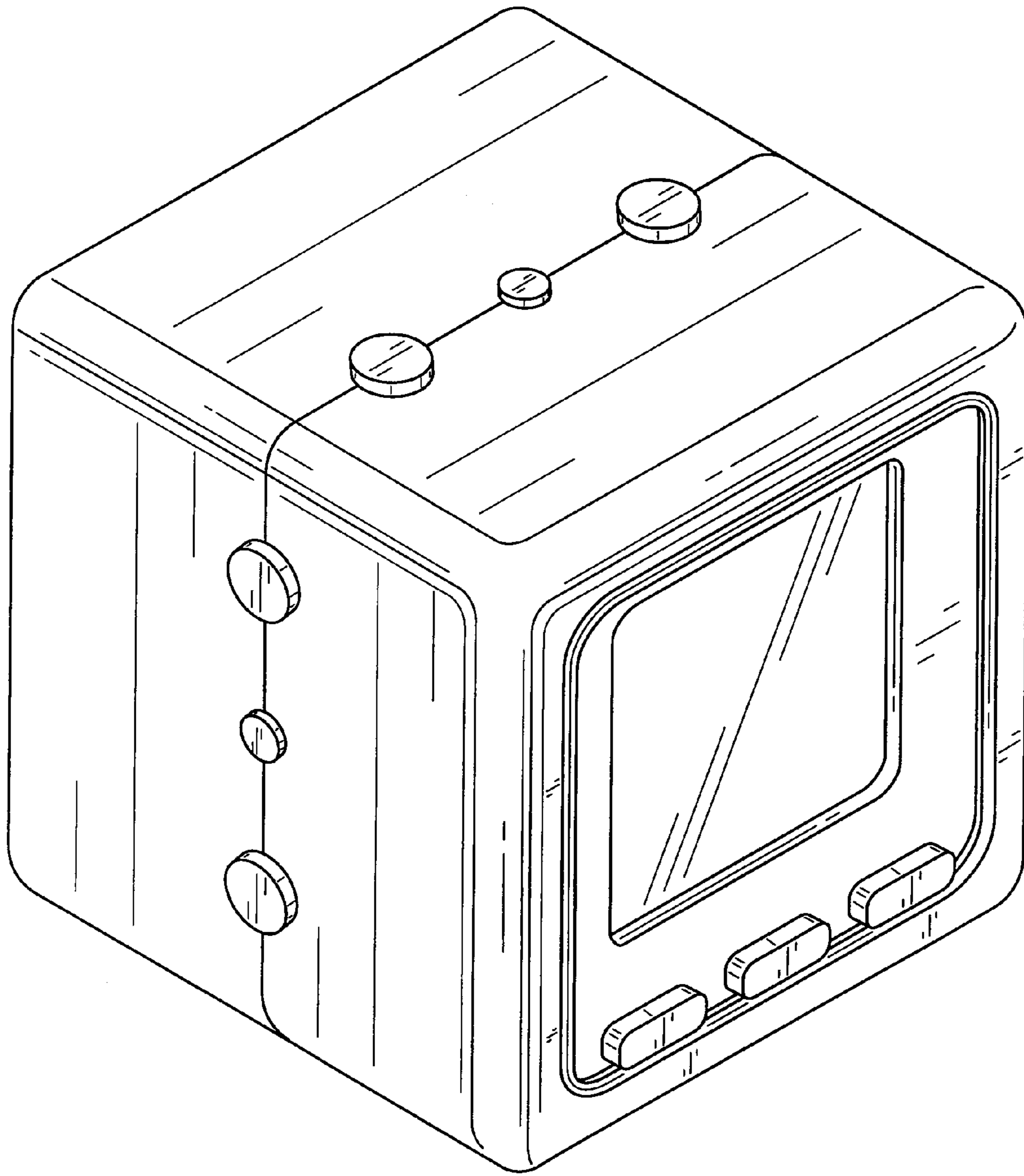


FIG. 1

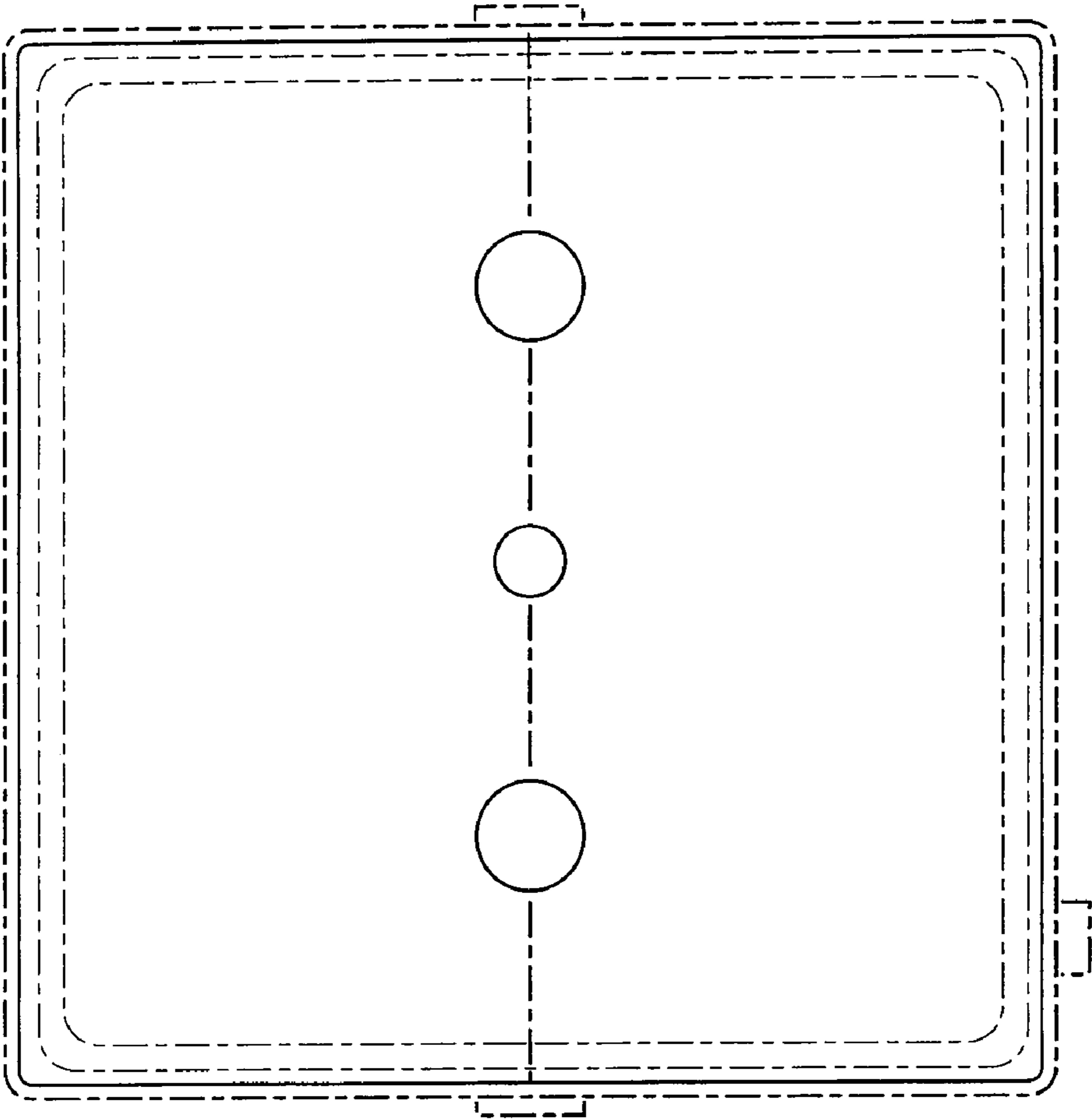


FIG. 2