

US00D565525S

(12) **United States Design Patent**
Lin

(10) **Patent No.:** **US D565,525 S**
(45) **Date of Patent:** **** Apr. 1, 2008**

(54) **TELEVISION SET**

D551,188 S * 9/2007 Chu D14/126

(75) Inventor: **Roger Lin**, Taipei (TW)

* cited by examiner

(73) Assignee: **Hannspree, Inc.**, Taipei (TW)

Primary Examiner—Raphael Barkai
(74) *Attorney, Agent, or Firm*—Birch, Stewart, Kolasch & Birch, LLP

(**) Term: **14 Years**

(21) Appl. No.: **29/287,472**

(57) **CLAIM**

(22) Filed: **Aug. 10, 2007**

The ornamental design for a television set, as shown and described.

(51) **LOC (8) Cl.** **14-03**

(52) **U.S. Cl.** **D14/126**

(58) **Field of Classification Search** D14/125–134,
D14/239, 371, 136, 374–377; 312/7.2; 348/836,
348/838, 180, 184, 325, 739; 341/12; 248/917–924,
248/465; 345/104, 133, 156, 168, 87, 173;
720/605, 669, 600, 655; 369/99, 197; 455/344–347
See application file for complete search history.

DESCRIPTION

FIG. 1 is a front perspective view of a television set showing my new design;

FIG. 2 is a front elevational view thereof;

FIG. 3 is a rear elevational view thereof;

FIG. 4 is a left side elevational view thereof;

FIG. 5 is a right side elevational view thereof;

FIG. 6 is a top plan view thereof; and,

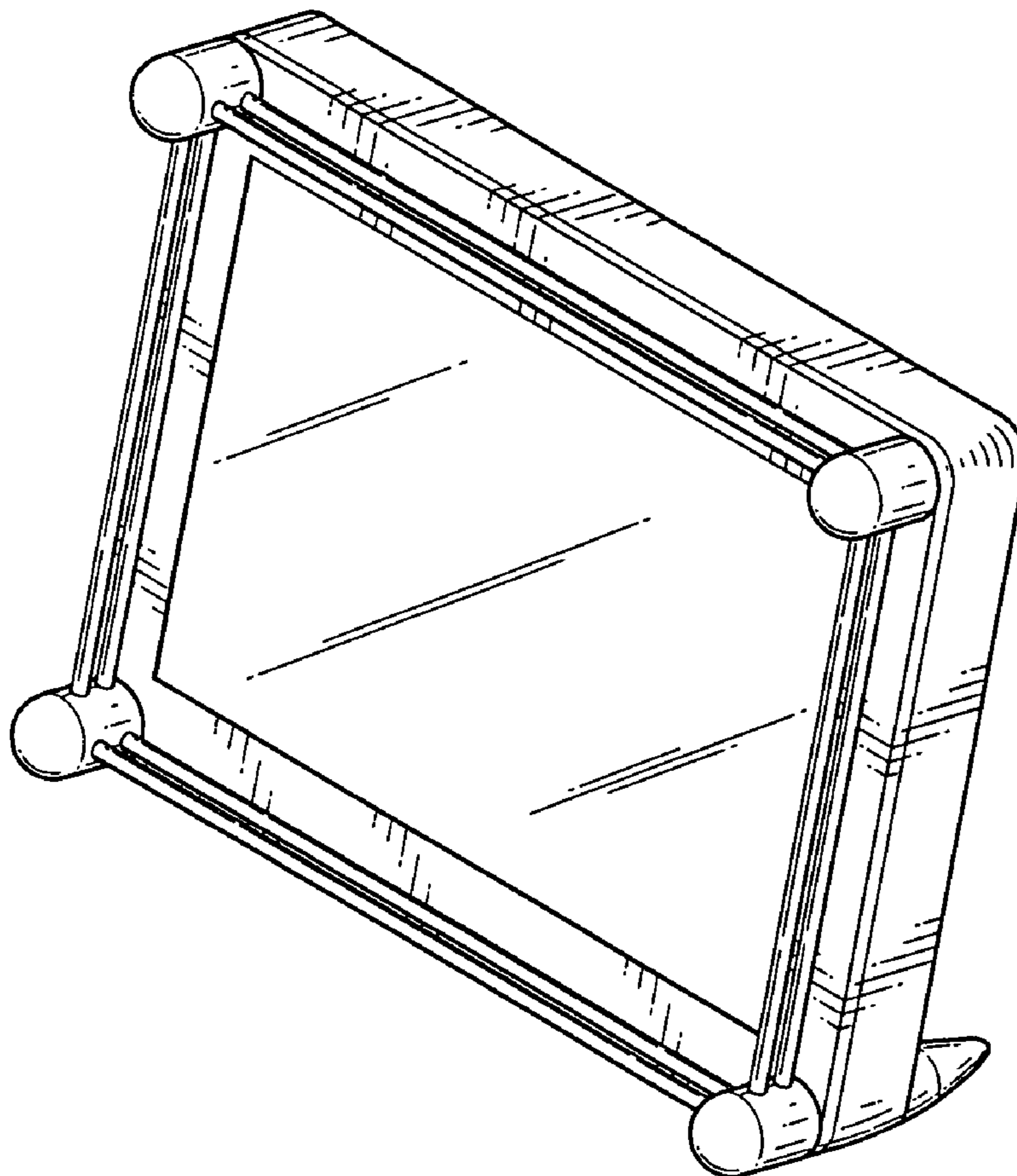
FIG. 7 is a bottom plan view thereof.

(56) **References Cited**

U.S. PATENT DOCUMENTS

- D458,910 S * 6/2002 Kita D14/126
- D470,141 S * 2/2003 Lin D14/376
- D522,982 S * 6/2006 Rhoades et al. D14/126

1 Claim, 3 Drawing Sheets



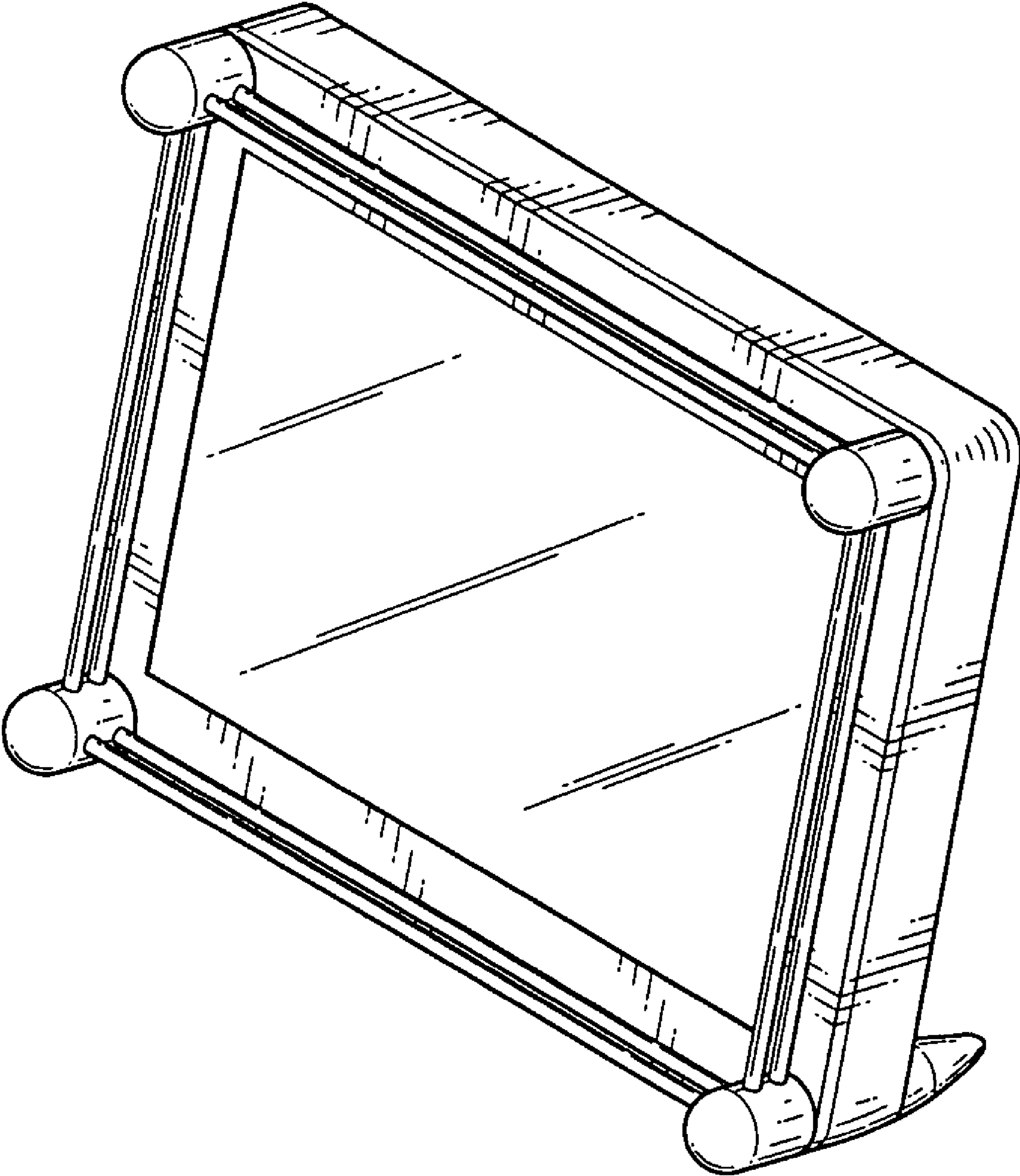


FIG. 1

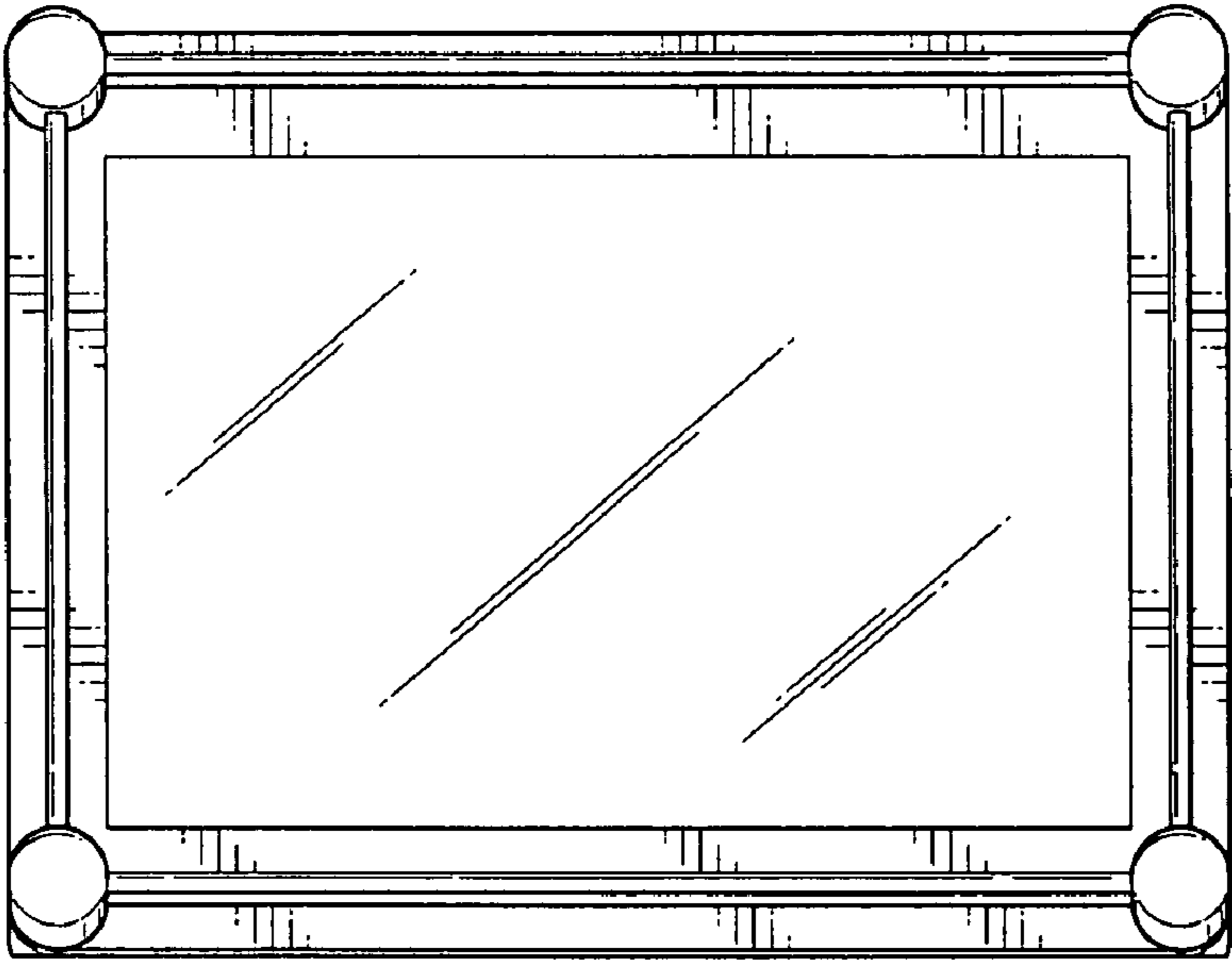


FIG. 2

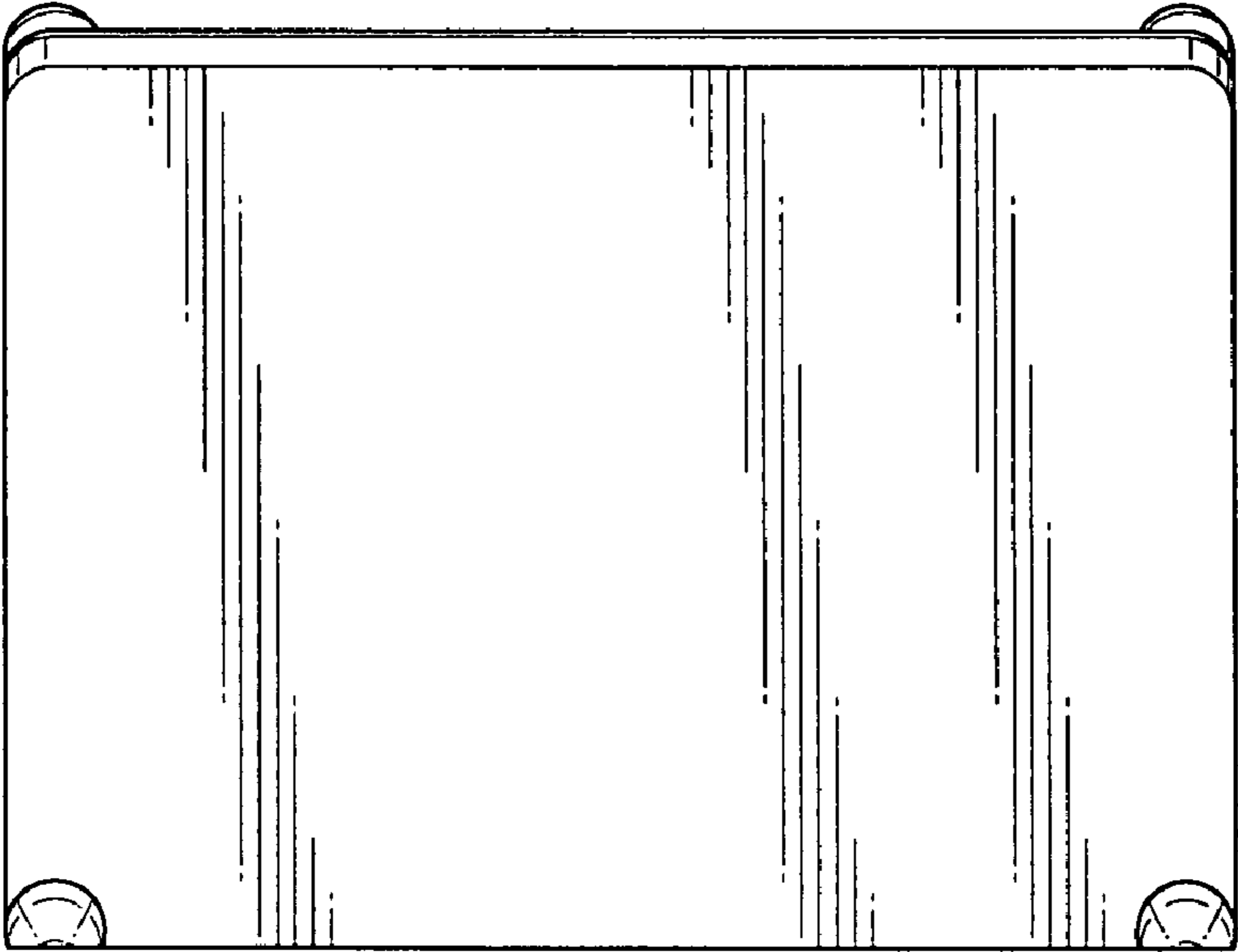


FIG. 3

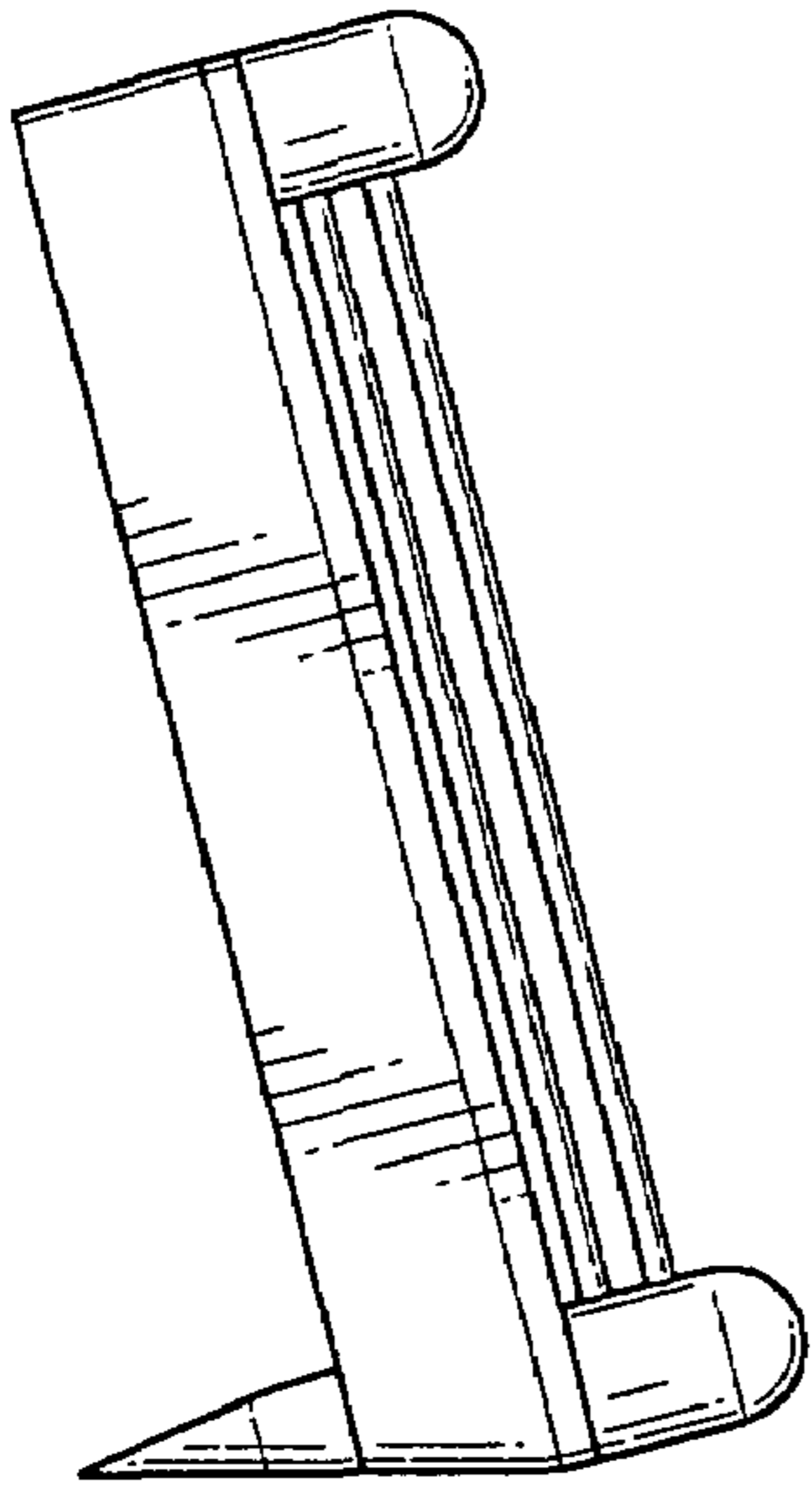


FIG. 4

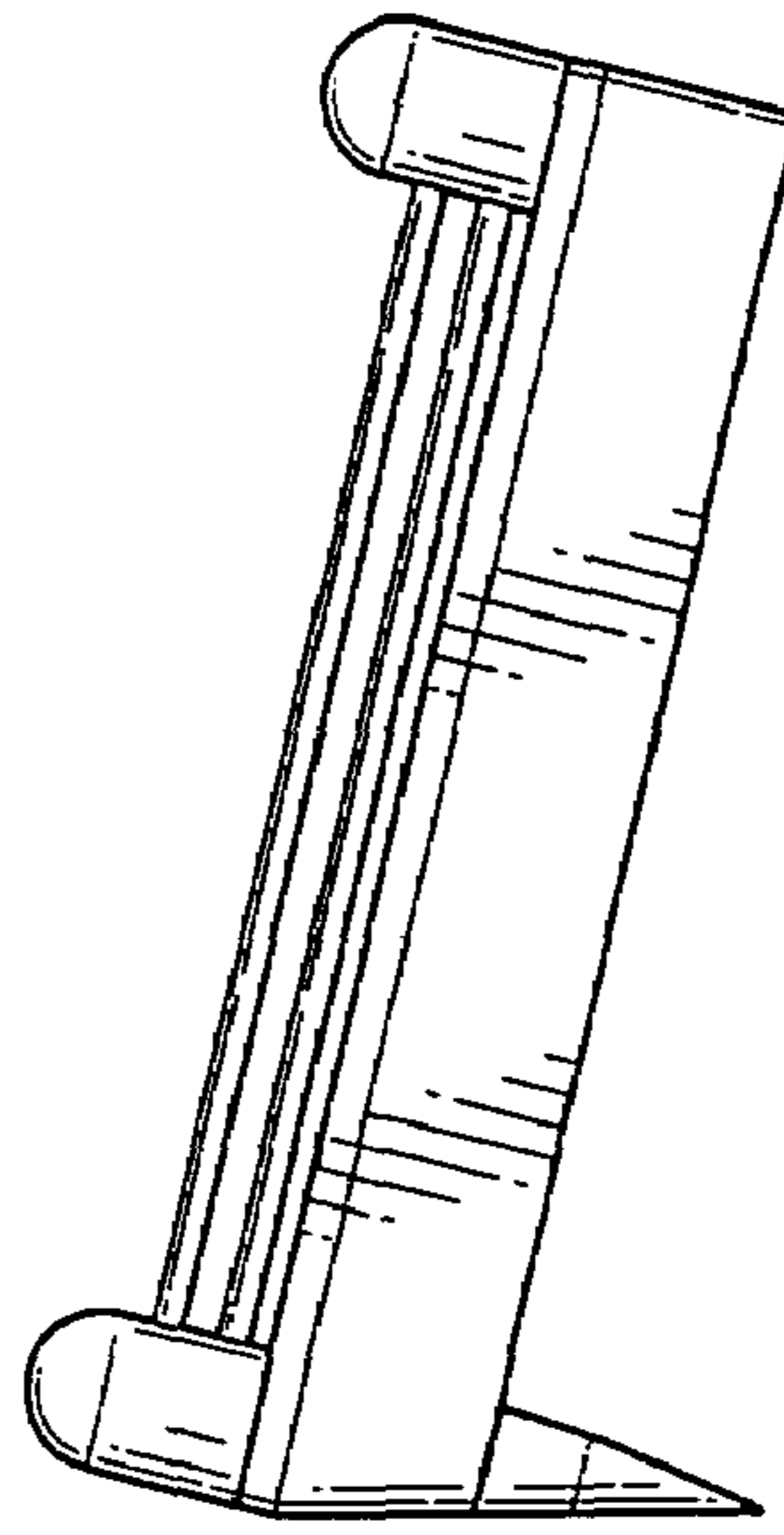


FIG. 5

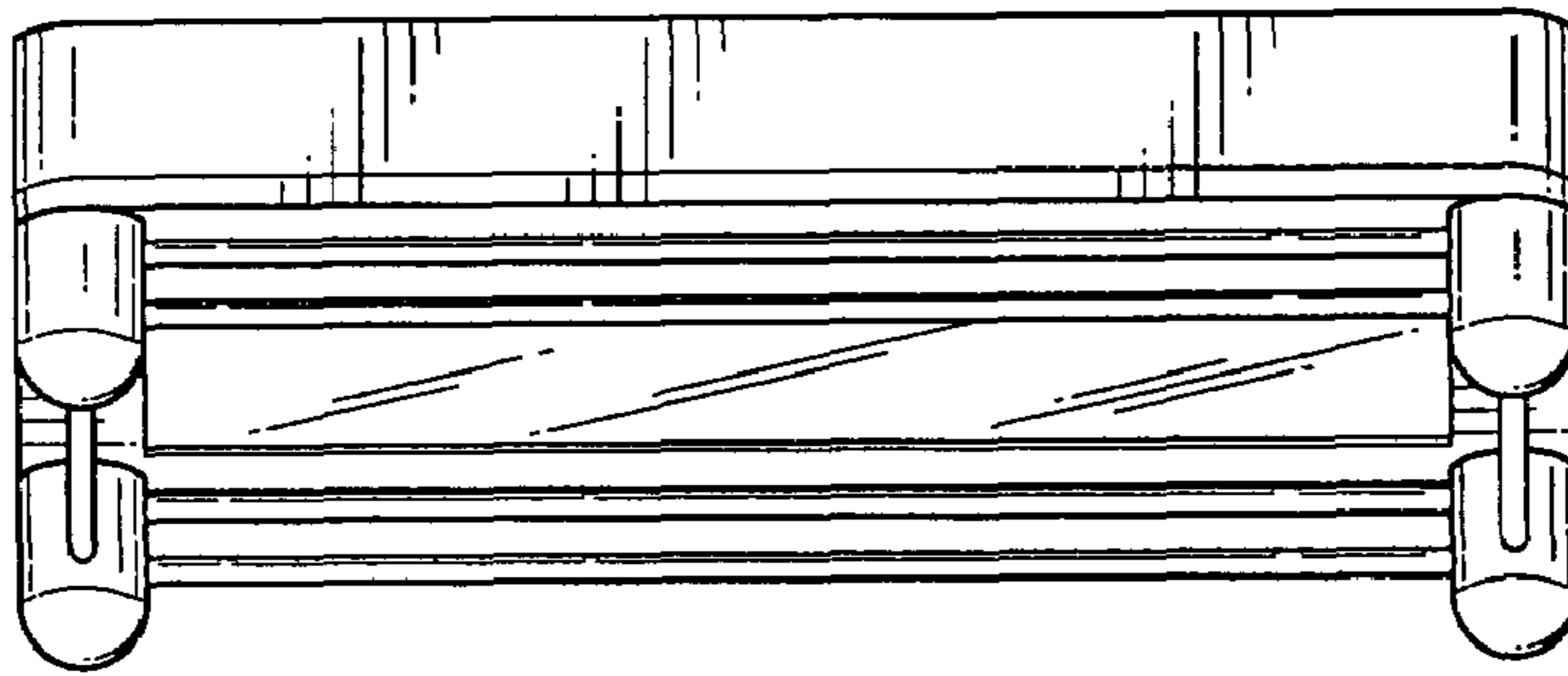


FIG. 6

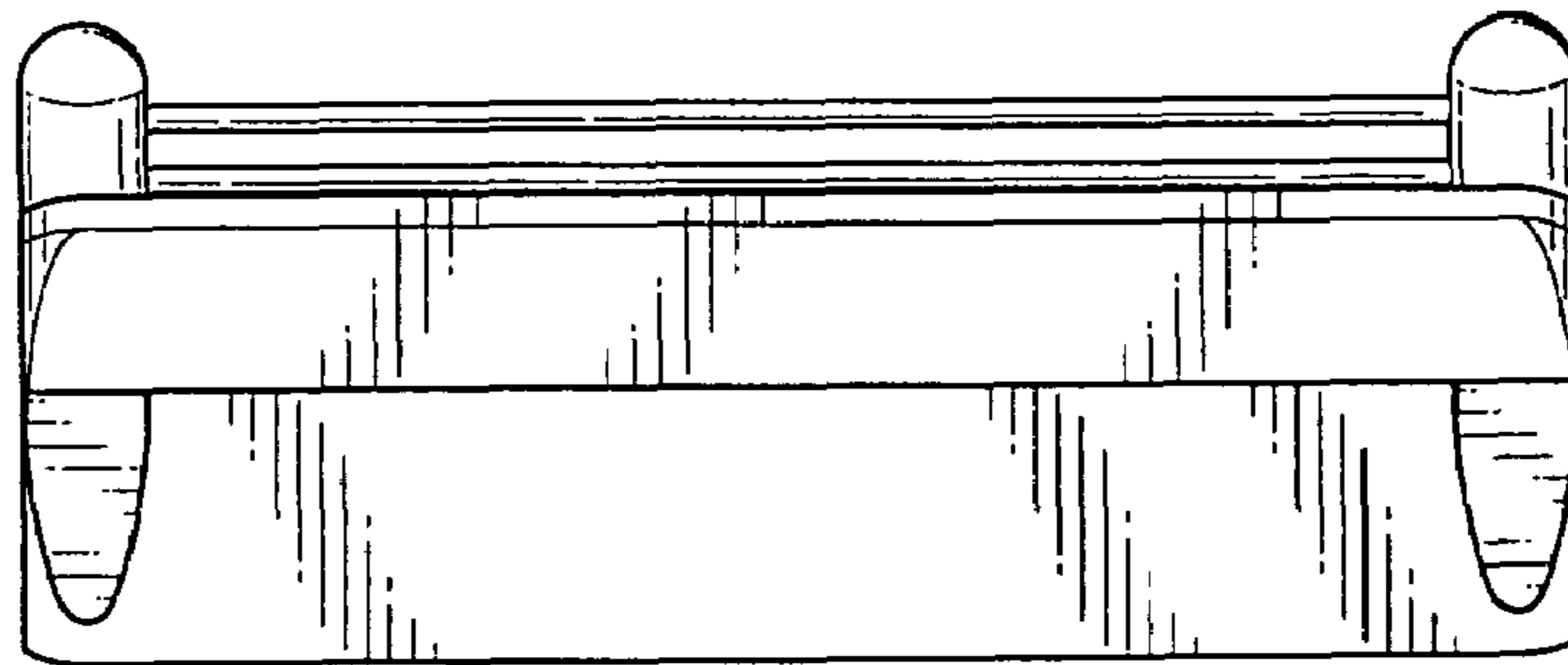


FIG. 7