

US00D565522S

(12) **United States Design Patent**
Takami et al.

(10) **Patent No.:** **US D565,522 S**
(45) **Date of Patent:** **** Apr. 1, 2008**

(54) **TELEVISION RECEIVER**

D543,166 S 5/2007 Kuramashi et al.
D545,778 S * 7/2007 Isshiki D14/126
D549,194 S 8/2007 Fujii

(75) Inventors: **Mitsuru Takami**, Kadoma (JP);
Mitsunari Fujii, Kadoma (JP)

(73) Assignee: **Matsushita Electric Industrial Co., Ltd.**, Osaka (JP)

(**) Term: **14 Years**

(21) Appl. No.: **29/273,924**

(22) Filed: **Mar. 16, 2007**

(30) **Foreign Application Priority Data**

Sep. 21, 2006 (JP) 2006-025223

(51) **LOC (8) Cl.** **14-03**

(52) **U.S. Cl.** **D14/126**

(58) **Field of Classification Search** D14/125-134,
D14/239, 371, 136, 374-377; 312/7.2; 348/836,
348/838, 180, 184, 325, 739; 341/12; 248/917-924,
248/465; 345/104, 133, 156, 168, 87, 173;
720/605, 669, 600, 655; 369/99, 197; 455/344-347
See application file for complete search history.

(56) **References Cited**

U.S. PATENT DOCUMENTS

D436,087 S * 1/2001 Takami et al. D14/126
D457,507 S 5/2002 Lim et al.
D477,292 S 7/2003 Inoue et al.
D488,784 S 4/2004 Takami et al.
D488,785 S 4/2004 Ohba et al.
D491,151 S 6/2004 Nagao
D505,807 S 6/2005 Goto et al.
D513,501 S 1/2006 Asanuma et al.
D515,048 S * 2/2006 Villalobos et al. D14/128
D515,049 S 2/2006 Asanuma et al.
D515,848 S 2/2006 Takami et al.
D519,755 S 5/2006 Luong
D539,245 S * 3/2007 Bischoff D14/126
D540,760 S * 4/2007 Macey et al. D16/134
D543,164 S * 5/2007 Yang et al. D14/126

OTHER PUBLICATIONS

Takami et al., U.S. Design Application entitled "Television Set Stand," U.S. Appl. No. 29/273,289, filed Mar. 1, 2007.
Takami et al., U.S. Design Application entitled "Television Set Stand," U.S. Appl. No. 29/273,347, filed Mar. 2, 2007.
Takami et al., U.S. Design Application entitled "Television Receiver," U.S. Appl. No. 29/273,872, filed Mar. 15, 2007.
Takami et al., U.S. Design Application entitled "Television Receiver," U.S. Appl. No. 29/273,873, filed Mar. 15, 2007.
Takami et al., U.S. Design Application entitled "Television Receiver," U.S. Appl. No. 29/273,925, filed Mar. 16, 2007.
Takami et al., U.S. Design Application entitled "Television Receiver," U.S. Appl. No. 29/273,926, filed Mar. 16, 2007.
Takami et al., U.S. Design Application entitled "Television Receiver," U.S. Appl. No. 29/273,927, filed Mar. 16, 2007.

* cited by examiner

Primary Examiner—Raphael Barkai

(74) *Attorney, Agent, or Firm*—Brinks Hofer Gilson & Lione

(57) **CLAIM**

We claim the ornamental design for a television receiver, as shown and described.

DESCRIPTION

FIG. 1 is a top perspective view of a television receiver of the present invention;
FIG. 2 is a front view thereof;
FIG. 3 is a first side view thereof;
FIG. 4 is a second side view thereof;
FIG. 5 is a top view thereof;
FIG. 6 is a rear view thereof; and,
FIG. 7 is a bottom view thereof.

1 Claim, 4 Drawing Sheets

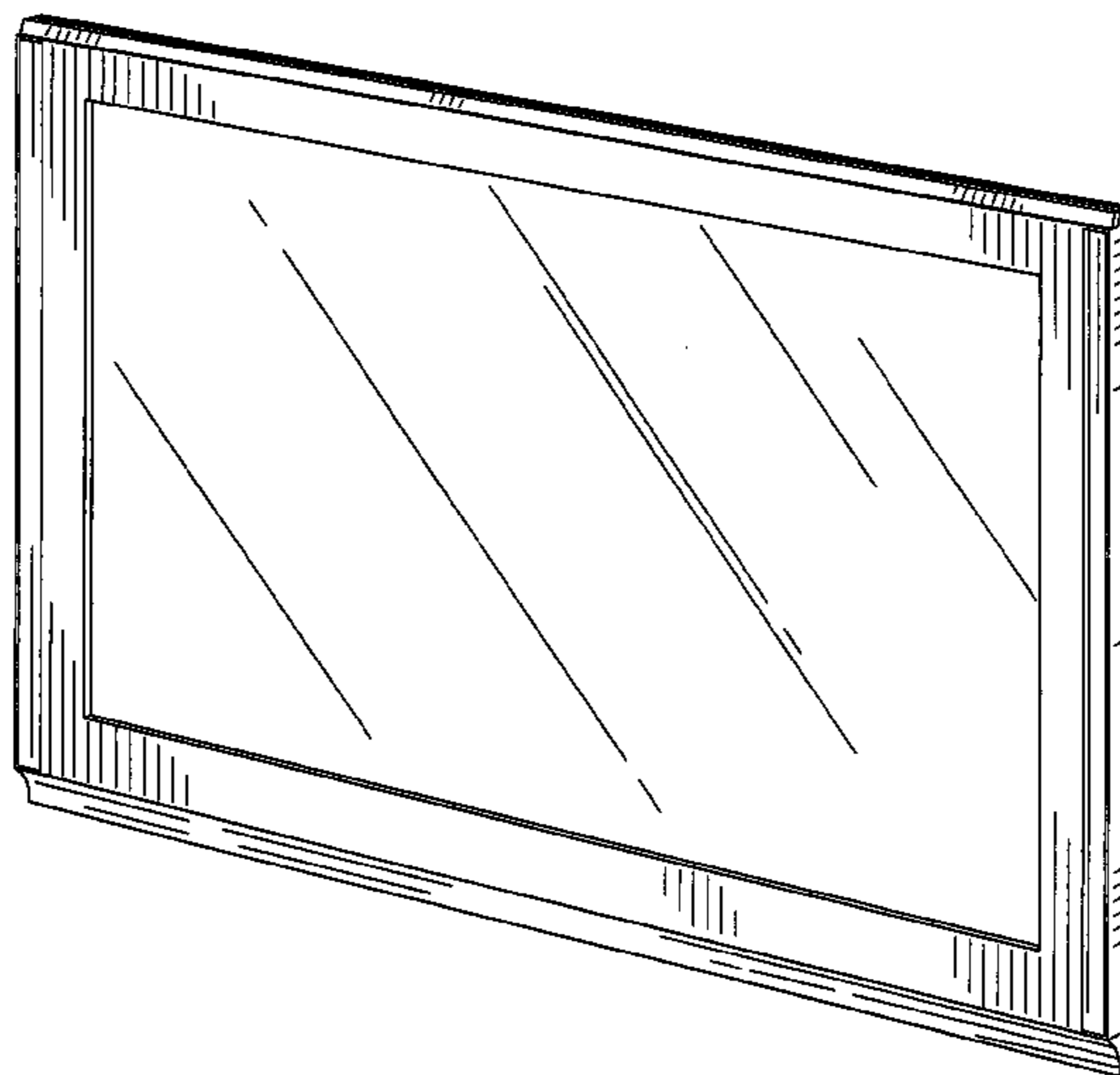


FIG. 1

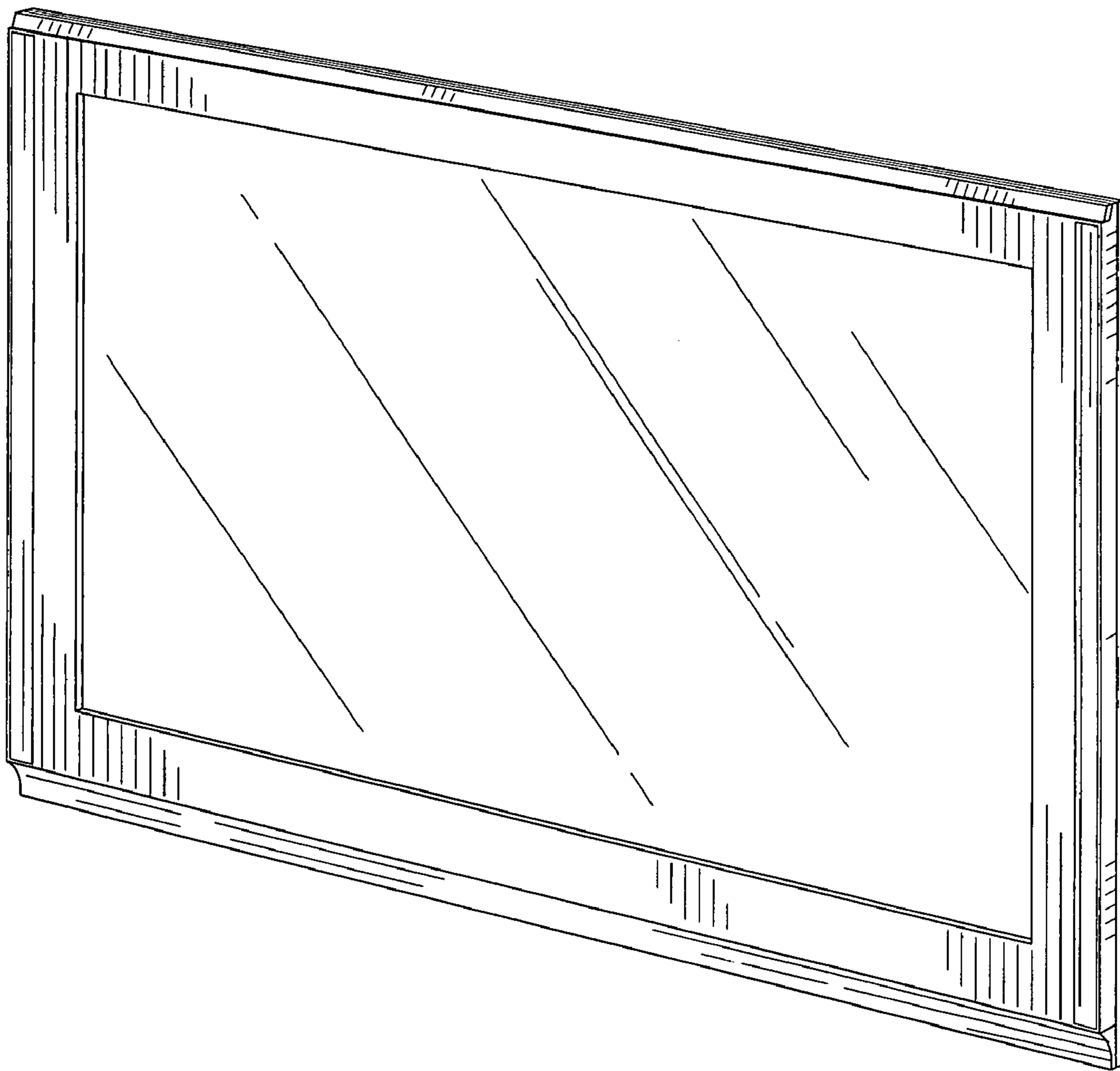


FIG.2

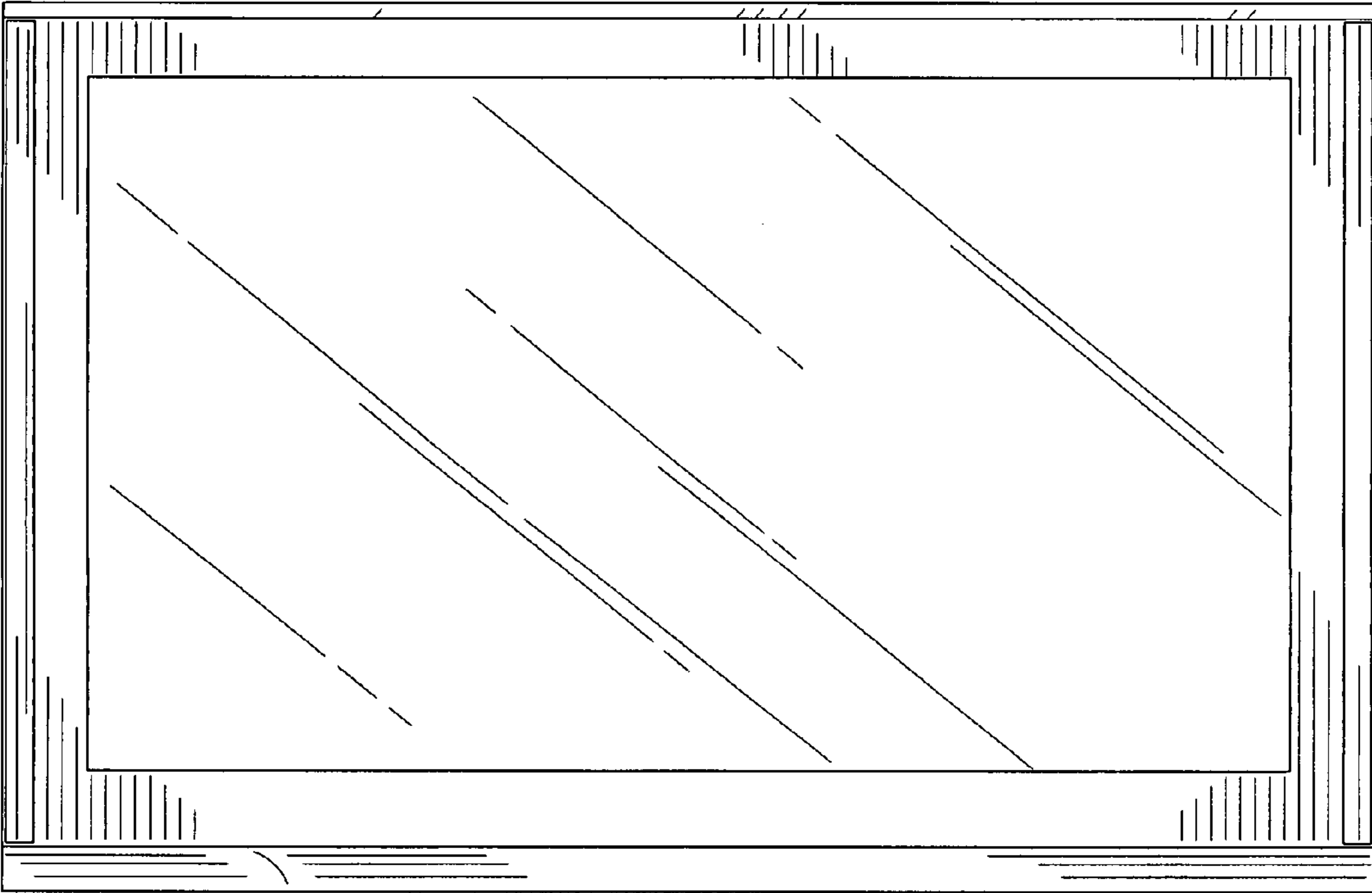


FIG.3

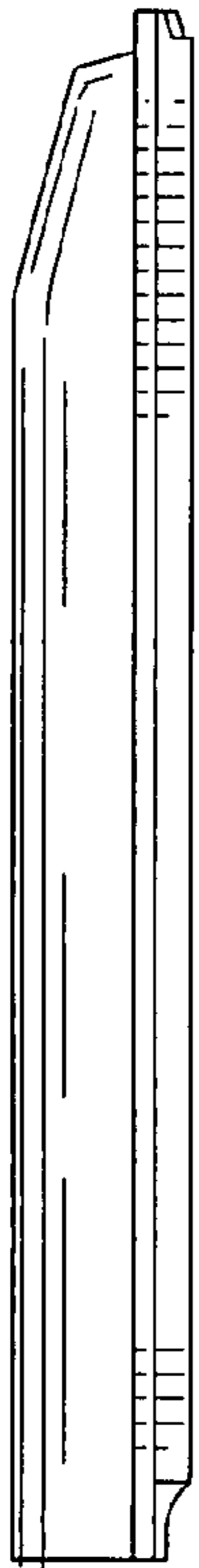


FIG.4

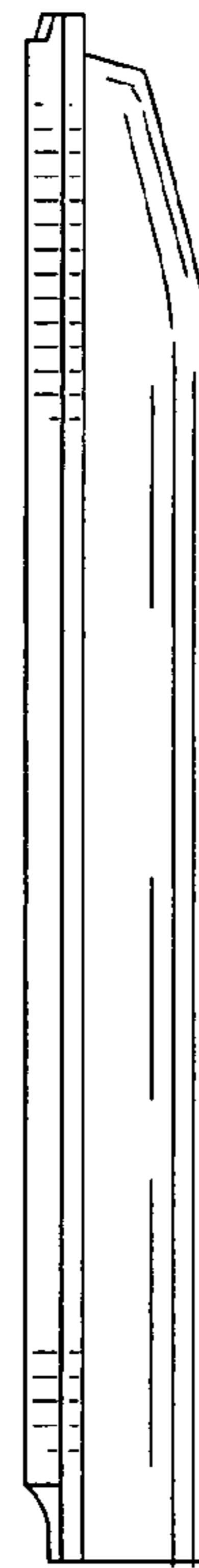


FIG.5

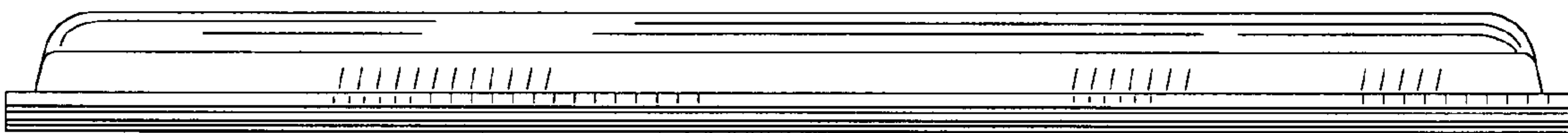


FIG.6

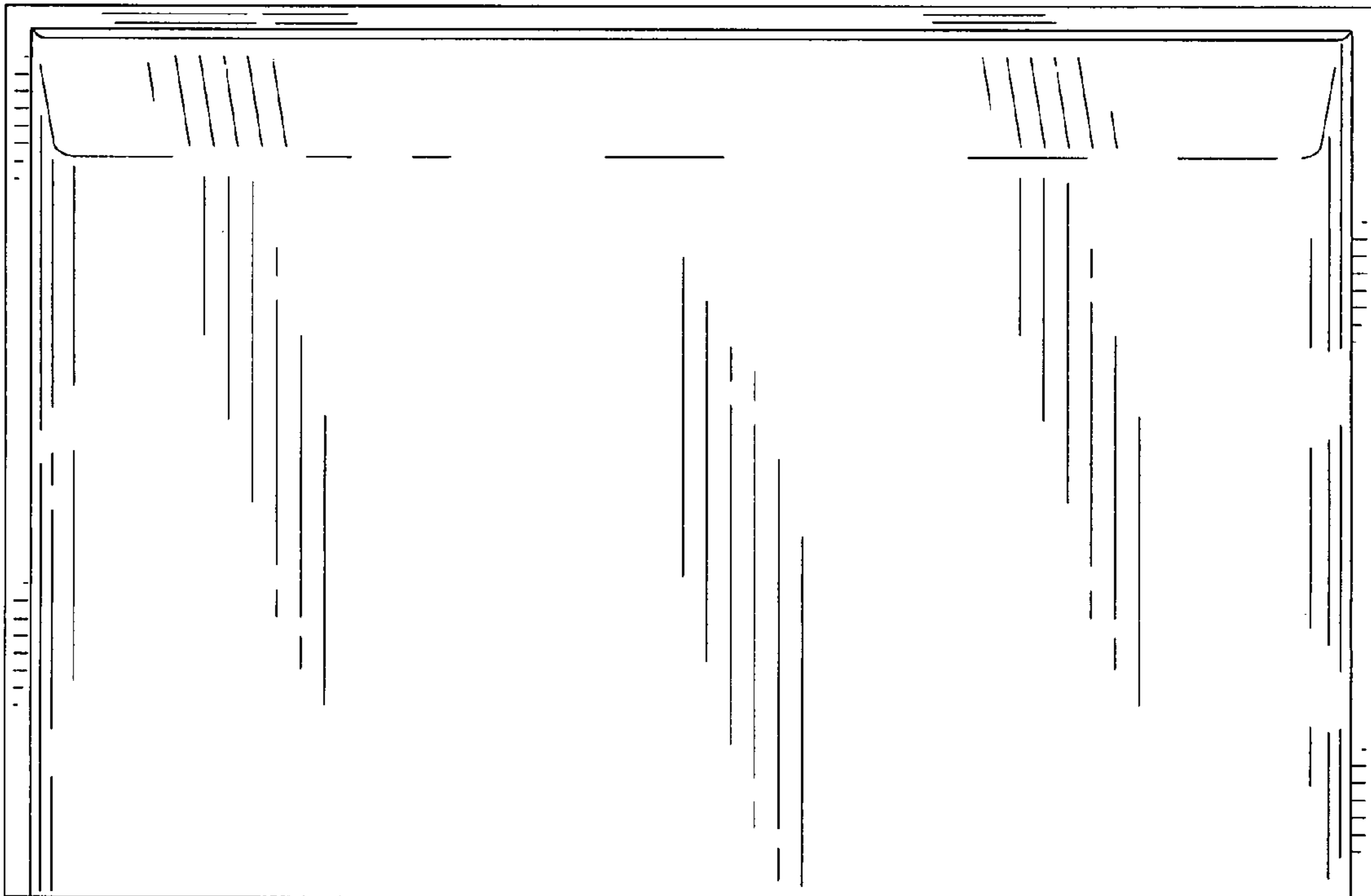


FIG.7

