



US00D565521S

(12) **United States Design Patent**
Yang et al.

(10) **Patent No.:** **US D565,521 S**

(45) **Date of Patent:** **** Apr. 1, 2008**

(54) **PDP TELEVISION RECEIVER**

D540,280 S * 4/2007 Yeo D14/126
D545,315 S * 6/2007 Kim D14/375

(75) Inventors: **Jun-Ho Yang**, Seoul (KR); **Yun-Je Kang**, Seoul (KR)

OTHER PUBLICATIONS

(73) Assignee: **Samsung Electronics Co., Ltd.**,
Kyunggi-do (KR)

U.S. Appl. No. 29/218,855, Applicant: Seung-Ho Lee, et al., filed Dec. 8, 2004 entitled LCD TV.

U.S. Appl. No. 29/218,856, Applicant: Seung-Ho Lee, et al., filed Dec. 8, 2004 entitled LCD TV

(**) Term: **14 Years**

U.S. Appl. No. 29/228,024, Applicant: Ki-Soo Kim, et al., filed Apr. 19, 2005 entitled LCD Television.

(21) Appl. No.: **29/269,009**

U.S. Appl. No. 29/256,593, Applicant: Jae-Beom Park, et al., filed Mar. 22, 2006 entitled LCD Monitor.

(22) Filed: **Nov. 17, 2006**

U.S. Appl. No. 29/263,587, Applicant: Yong-Joo Lee, et al., filed Jul. 26, 2006 entitled LCD Monitor.

(51) **LOC (8) Cl.** **14-03**

U.S. Appl. No. 29/263,583, Applicant: Ki-Soo Kim, et al., filed Jul. 26, 2006 entitled LCD Monitor.

(52) **U.S. Cl.** **D14/126**

U.S. Appl. No. 29/236,966, Applicant: Jun-Ho Yang, et al., filed Aug. 24, 2005 entitled LCD Television.

(58) **Field of Classification Search** D14/125-134,
D14/239, 371, 136, 374-377; 312/7.2; 348/836,
348/838, 180, 184, 325, 739; 341/12; 248/917-924,
248/465, 123.11; 345/104, 133, 156, 168,
345/87, 173, 169; 349/1, 2, 11, 62; 720/605,
720/669, 600, 655, 99, 197; 456/344-347;
369/99, 197

U.S. Appl. No. 29/236,965, Applicant: Jun-Ho Yang, et al., filed Aug. 24, 2005 entitled Television.

See application file for complete search history.

(Continued)

Primary Examiner—Raphael Barkai

Assistant Examiner—Randall H Gholson

(74) *Attorney, Agent, or Firm*—Flynn, Thiel, Boutell & Tanis, P.C.

(56) **References Cited**

U.S. PATENT DOCUMENTS

- D411,522 S * 6/1999 Chuo et al. D14/126
- D424,538 S * 5/2000 Hayashi et al. D14/374
- D463,430 S * 9/2002 Goto D14/374
- D486,825 S * 2/2004 Shiota et al. D14/374
- D494,941 S 8/2004 Kim
- D499,386 S 12/2004 Yang
- D512,424 S 12/2005 Kim
- D521,511 S 5/2006 Kim et al.
- D521,996 S 5/2006 Kim et al.
- D521,997 S 5/2006 Park et al.
- D522,509 S 6/2006 Park et al.
- D524,313 S 7/2006 Boo et al.
- D527,003 S 8/2006 Kim et al.
- D528,115 S 9/2006 Yoon
- D528,116 S 9/2006 Won et al.
- D529,910 S 10/2006 Ota
- D534,510 S * 1/2007 Kang et al. D14/128
- D539,242 S * 3/2007 Lee et al. D14/126

(57) **CLAIM**

The ornamental design for a PDP television receiver, as shown and described.

DESCRIPTION

FIG. 1 is a top front perspective view of a PDP television receiver showing our new design;

FIG. 2 is a front elevational view thereof;

FIG. 3 is a rear elevational view thereof;

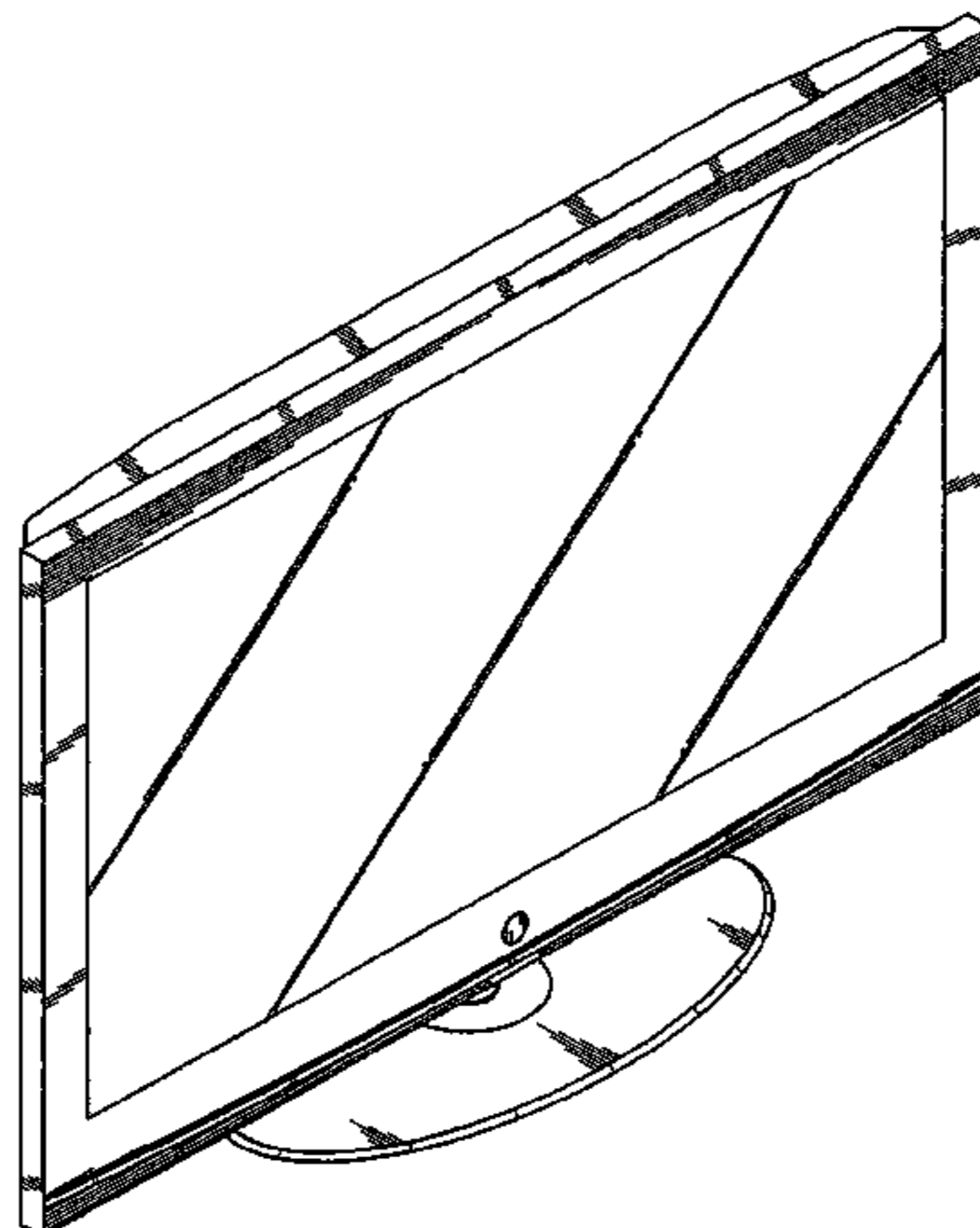
FIG. 4 is a left side elevational view thereof;

FIG. 5 is a right side elevational view thereof;

FIG. 6 is a top plan view thereof; and,

FIG. 7 is a bottom plan view.

1 Claim, 4 Drawing Sheets



OTHER PUBLICATIONS

U.S. Appl. No. 29/264,715, Applicant: Tetsu Kataoka, et al., filed Aug. 16, 2006 entitled LCD Monitor.

U.S. Appl. No. 29/263,580, Applicant: Tae-Yeon Won, et al., filed Jul. 26, 2006 entitled LCD Monitor.

U.S. Appl. No. 29/258,368, Applicant: Tae-Yeon Won, et al., filed Apr. 20, 2006 entitled LCD Monitor.

U.S. Appl. No. 29/258,362, Applicant: Eui-Seok Kim. filed Apr. 20, 2006 entitled LCD Monitor.

U.S. Appl. No. 29/258,364, Applicant: Eui-Seok Kim. filed Apr. 20, 2006 entitled LCD Monitor.

U.S. Appl. No. 29/258,365, Applicant: Eui-Seok Kim. filed Apr. 20, 2006 entitled LCD Monitor.

U.S. Appl. No. 29/258,366, Applicant: Eui-Seok Kim. filed Apr. 20, 2006 entitled LCD Monitor.

U.S. Appl. No. 29/258,363, Applicant: Eui-Seok Kim. filed Apr. 20, 2006 entitled LCD Monitor.

U.S. Appl. No. 29/258,367, Applicant: Eui-Seok Kim. filed Apr. 20, 2006 entitled LCD Monitor.

U.S. Appl. No. 29/258,360, Applicant: Eui-Seok Kim. filed Apr. 20, 2006 entitled LCD Monitor.

U.S. Appl. No. 29/265,880, Applicant: Eui-Seok Kim, et al., filed Sep. 11, 2006 entitled LCD Monitor.

U.S. Appl. No. 29/263,587, Applicant: Yong-Joo Lee, et al. entitled LCD Monitor.

U.S. Appl. No. 29/263,582, Applicant: Jae-Beom Park, et al., filed Jul. 26, 2006 entitled LCD Monitor.

U.S. Appl. No. 29/263,585, Applicant: Seung-Ho Lee, et al., Jul. 26, 2006 entitled LCD Television Set.

U.S. Appl. No. 29/269,015, Applicant: Jun-Ho Yang, et al., filed Nov. 17, 2006 entitled PDP Television Receiver.

U.S. Appl. No. 29/269,013, Applicant: Jun-Ho Yang, et al., filed Nov. 17, 2006 entitled LCD Television Set.

* cited by examiner

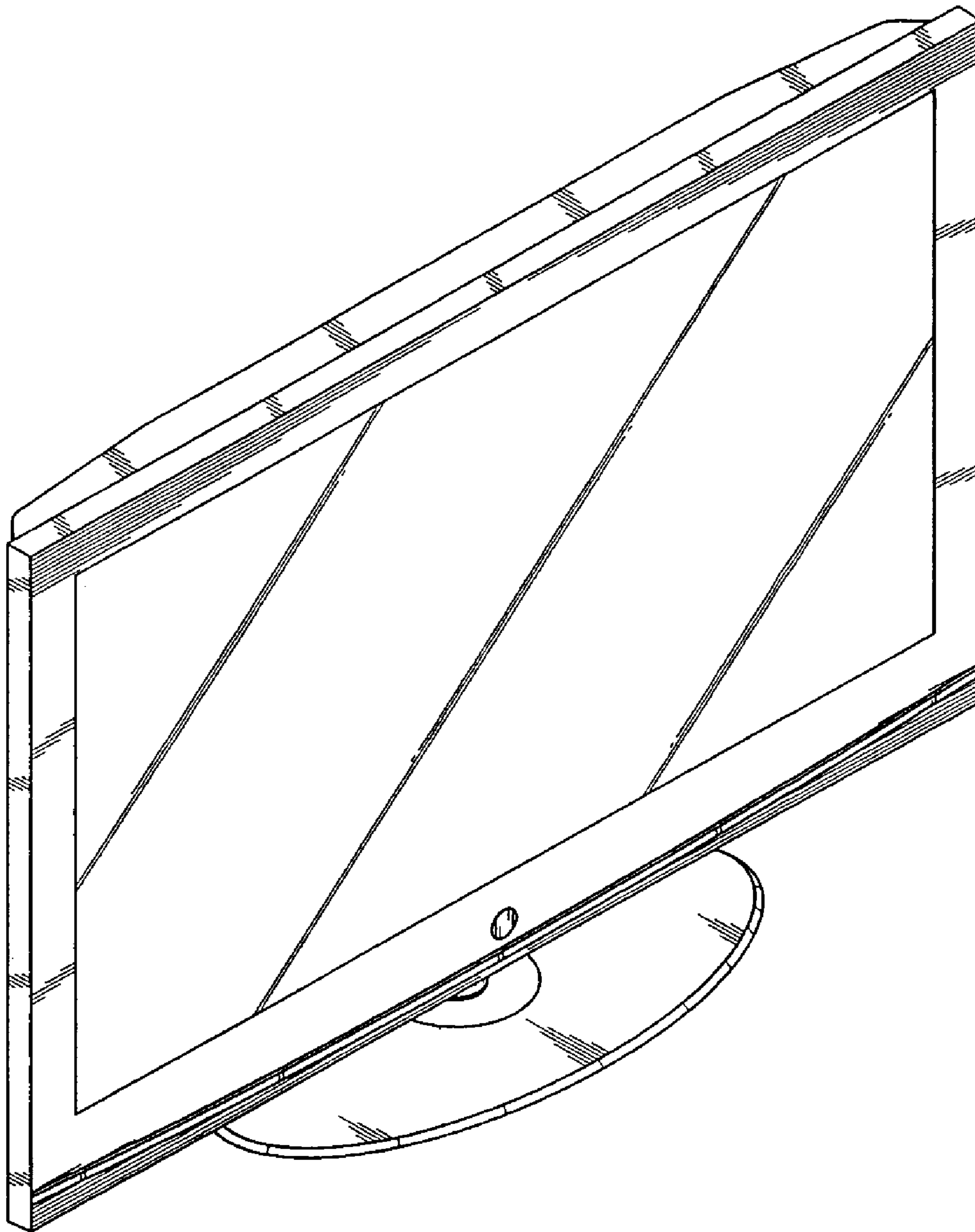


FIG. 1

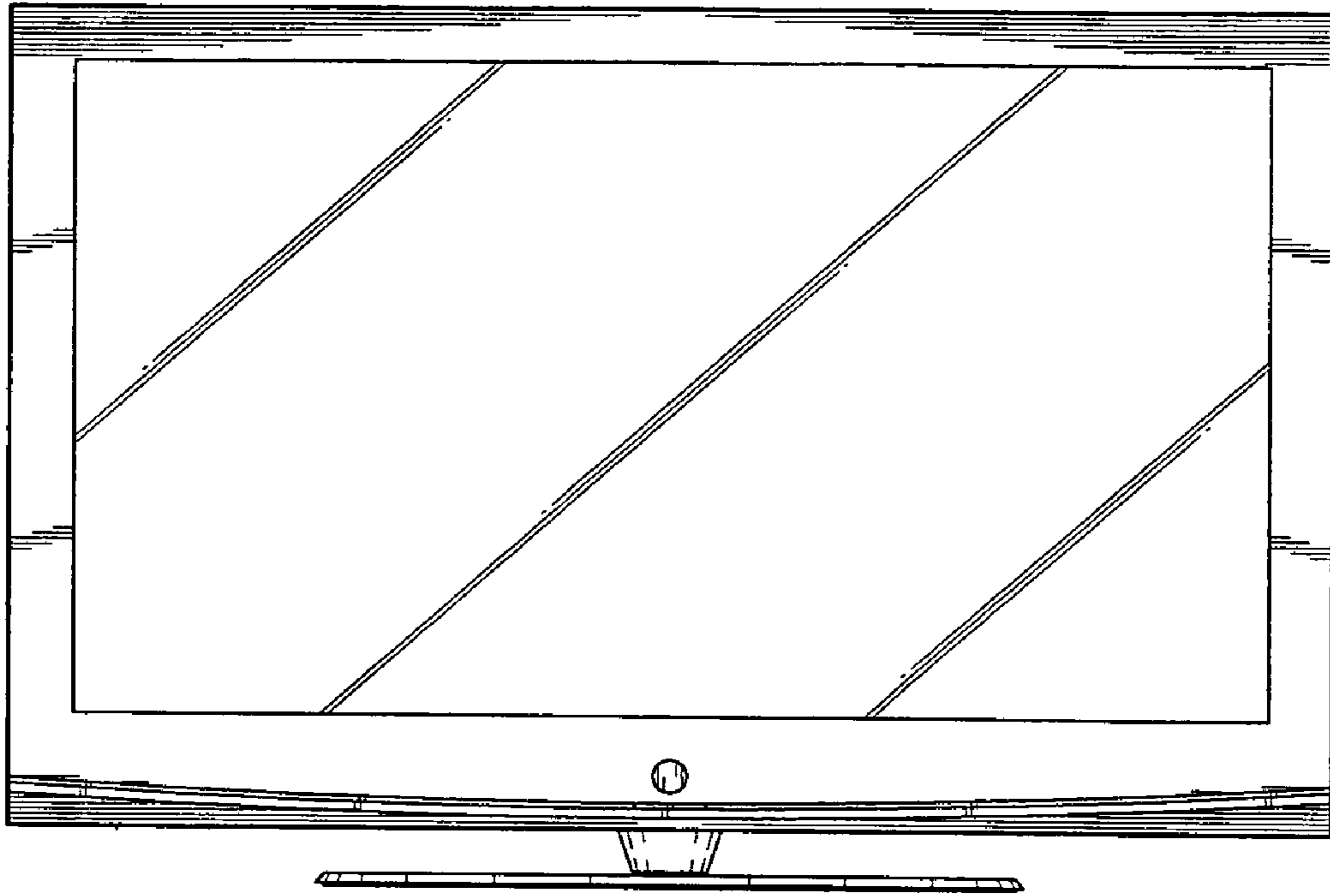


FIG. 2

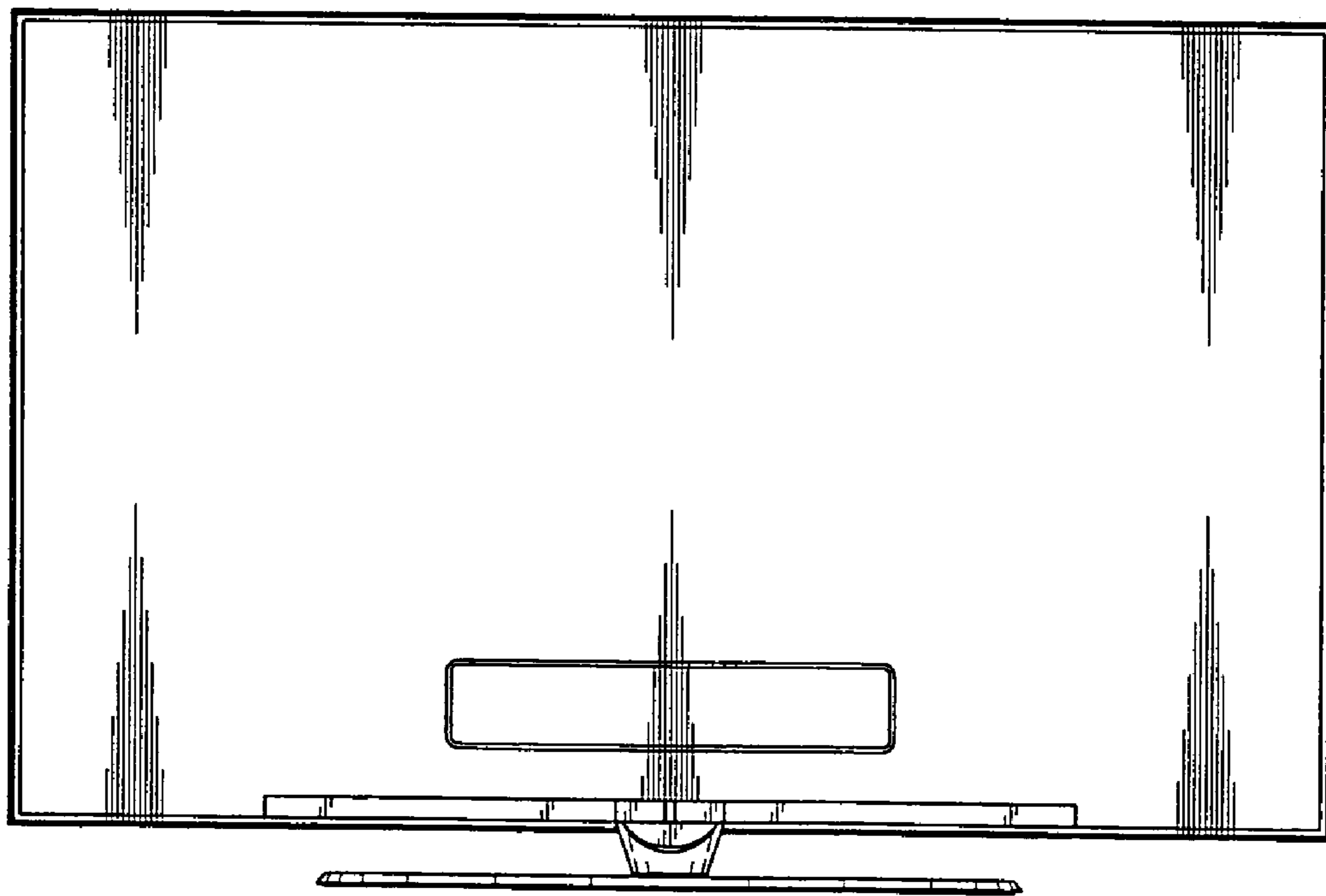


FIG. 3

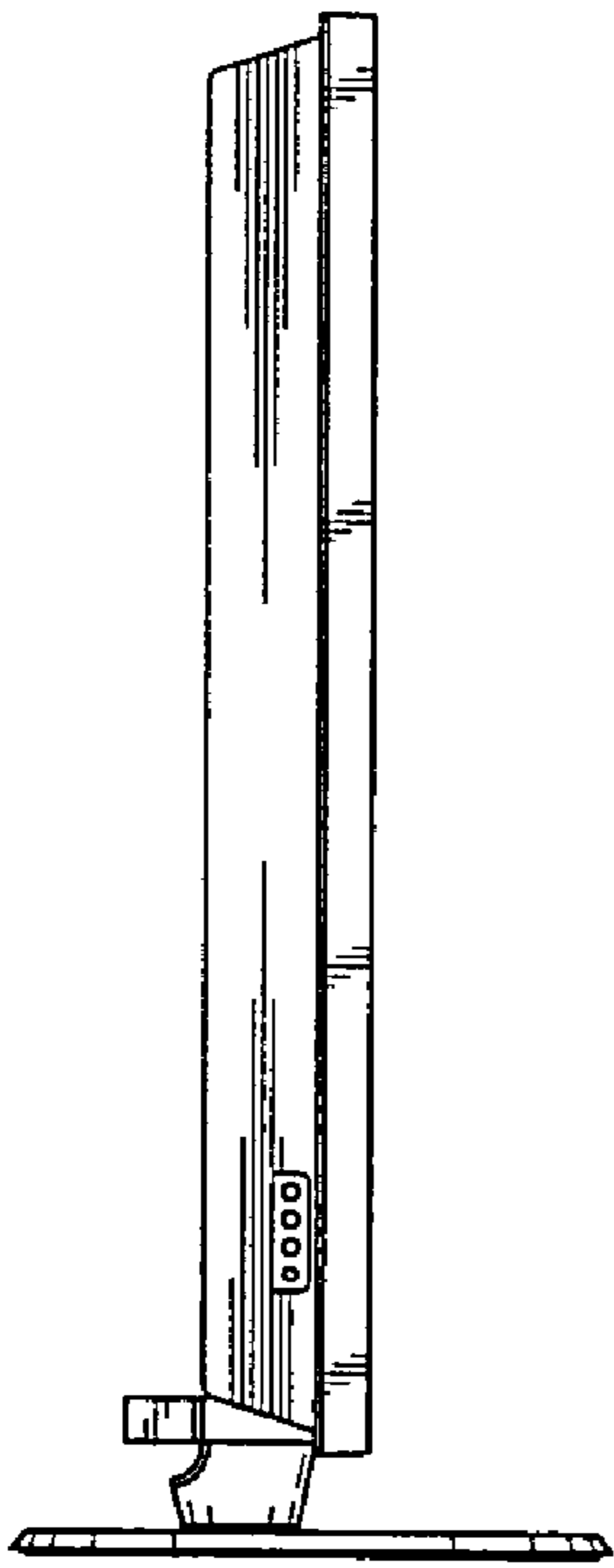


FIG. 4

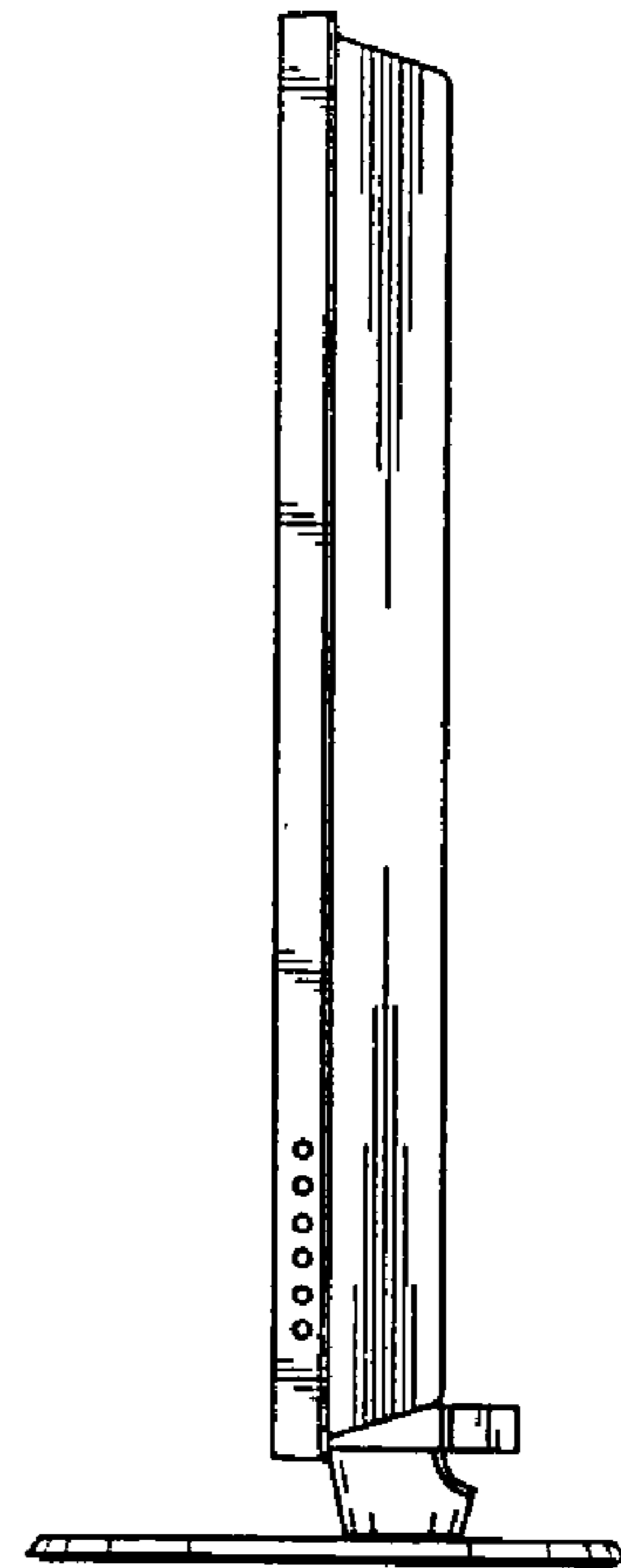


FIG. 5

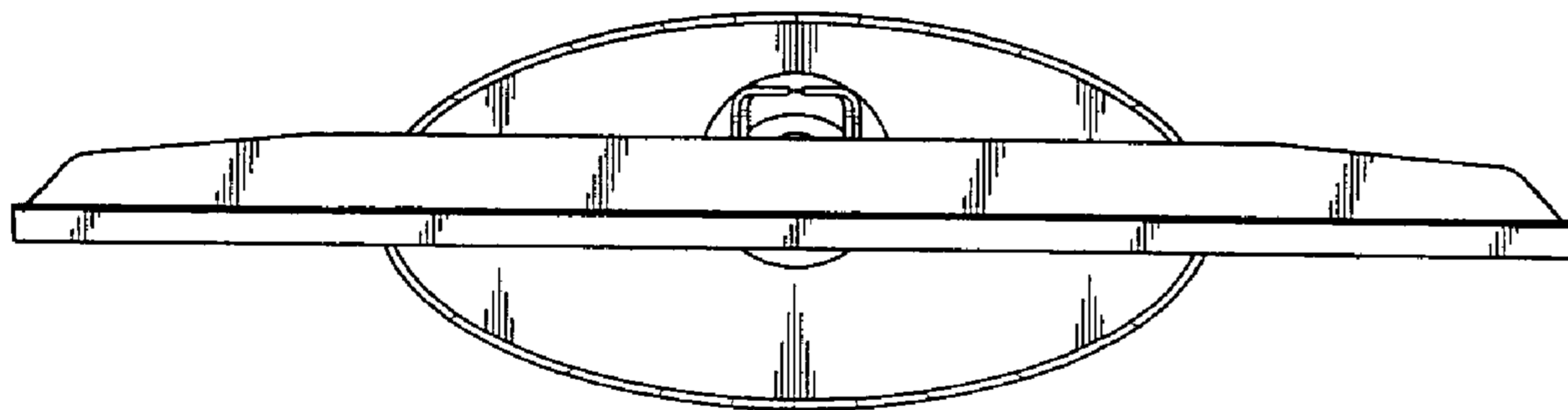


FIG. 6

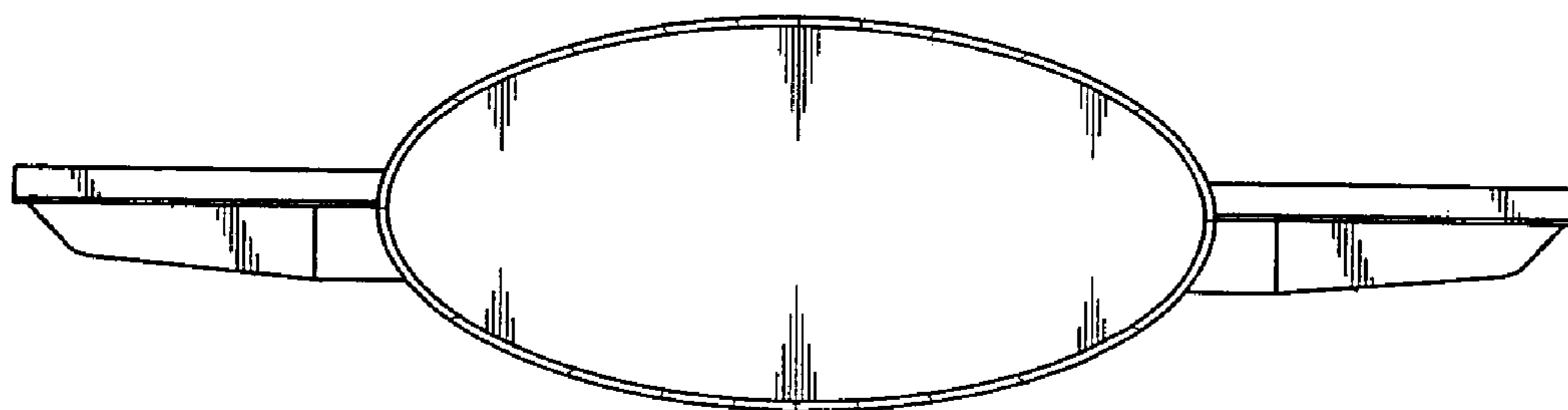


FIG. 7