



US00D565519S

(12) **United States Design Patent**
Kuramashi et al.

(10) **Patent No.:** **US D565,519 S**

(45) **Date of Patent:** **** Apr. 1, 2008**

(54) **TELEVISION SET**

(75) Inventors: **Yuh Kuramashi**, Virginia Water Surrey (GB); **Tatsuya Honda**, Yokohama (JP); **Akio Shindate**, London (GB)

(73) Assignee: **Kabushiki Kaisha Toshiba** (JP)

(**) Term: **14 Years**

(21) Appl. No.: **29/260,659**

(22) Filed: **May 31, 2006**

(30) **Foreign Application Priority Data**

Mar. 30, 2006 (JP) 2006-008234

(51) **LOC (8) Cl.** **14-03**

(52) **U.S. Cl.** **D14/126**

(58) **Field of Classification Search** D14/125-134, D14/239, 371, 136, 374-377; 312/7.2; 348/836, 348/838, 180, 184, 325, 739; 341/12; 248/917-924, 248/465, 123.11; 345/104, 133, 156, 168, 345/87, 173, 169; 349/1, 2, 11, 62; 720/605, 720/669, 600, 655, 99, 197; 455/344-347
See application file for complete search history.

(56) **References Cited**

U.S. PATENT DOCUMENTS

D488,139 S * 4/2004 Takami et al. D14/126
D496,341 S * 9/2004 Nakata et al. D14/126
D499,730 S * 12/2004 Yamashiro D14/375
D501,186 S * 1/2005 Kita D14/126
D503,158 S 3/2005 Asanuma et al.
D510,730 S 10/2005 Asanuma et al.
D513,002 S * 12/2005 Lin et al. D14/371
D523,405 S 6/2006 Honda
D532,386 S * 11/2006 Negishi et al. D14/126

D543,517 S * 5/2007 Chikuma et al. D14/126
D545,779 S * 7/2007 Kita D14/126
D546,302 S * 7/2007 Kita D14/126

FOREIGN PATENT DOCUMENTS

JP D1126727 11/2001
JP D1233210 3/2005
JP D1234476 3/2005
JP D1243671 6/2005
KR 30-0383233 6/2005
KR 30-0389358 8/2005

OTHER PUBLICATIONS

B&H Summer Catalog, pp. 119-123, dated Jun. 2004.

* cited by examiner

Primary Examiner—Raphael Barkai

Assistant Examiner—Randall H Gholson

(74) *Attorney, Agent, or Firm*—Banner & Witcoff, Ltd.

(57) **CLAIM**

The ornamental design for a television set, as shown and described.

DESCRIPTION

FIG. 1 is a front, top and right side perspective view of a television set, showing our new design;

FIG. 2 is a front elevational view thereof;

FIG. 3 is a rear elevational view thereof;

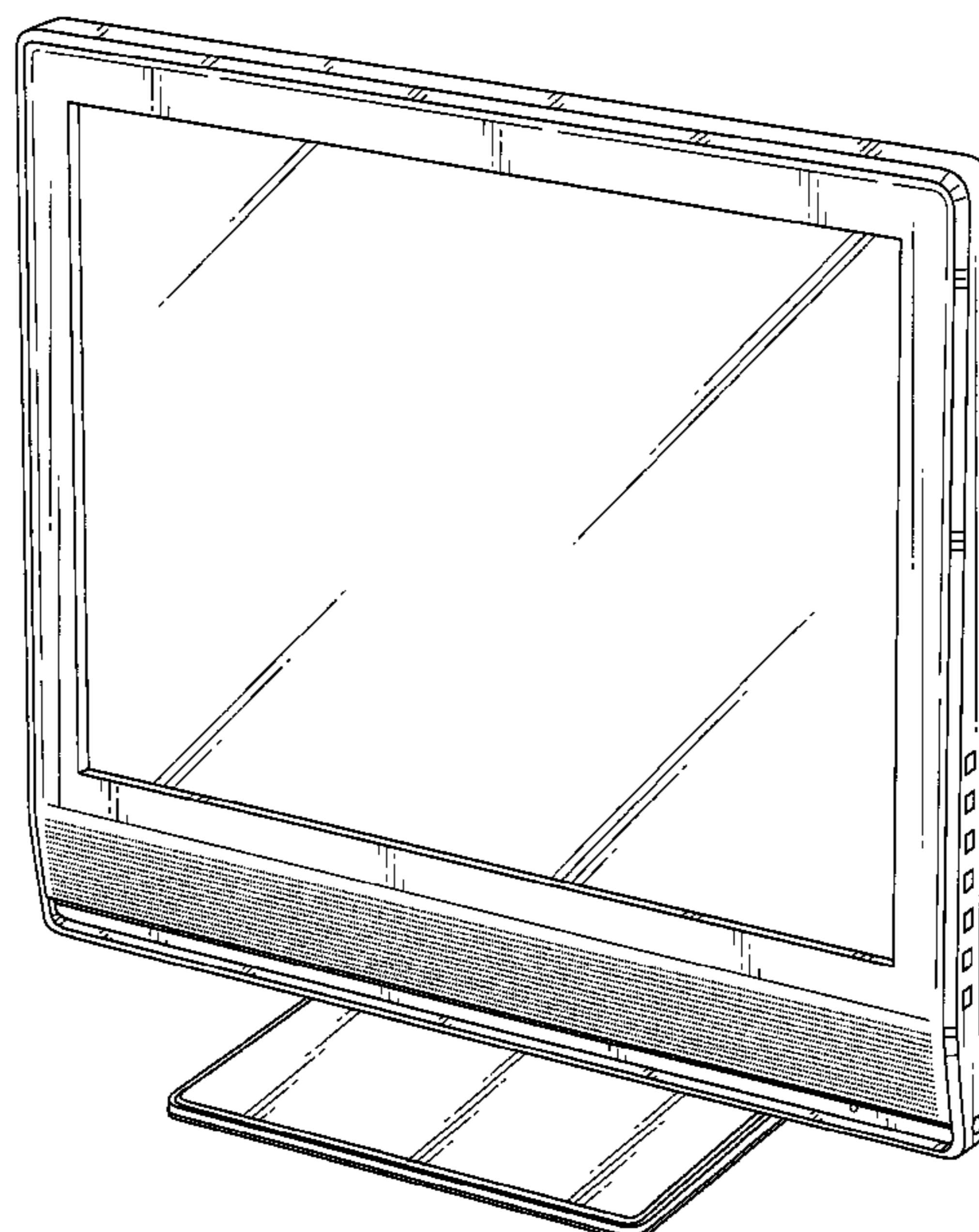
FIG. 4 is a top plan view thereof;

FIG. 5 is a bottom plan view thereof;

FIG. 6 is a right side elevational view thereof; and,

FIG. 7 is a left side elevational view thereof.

1 Claim, 6 Drawing Sheets



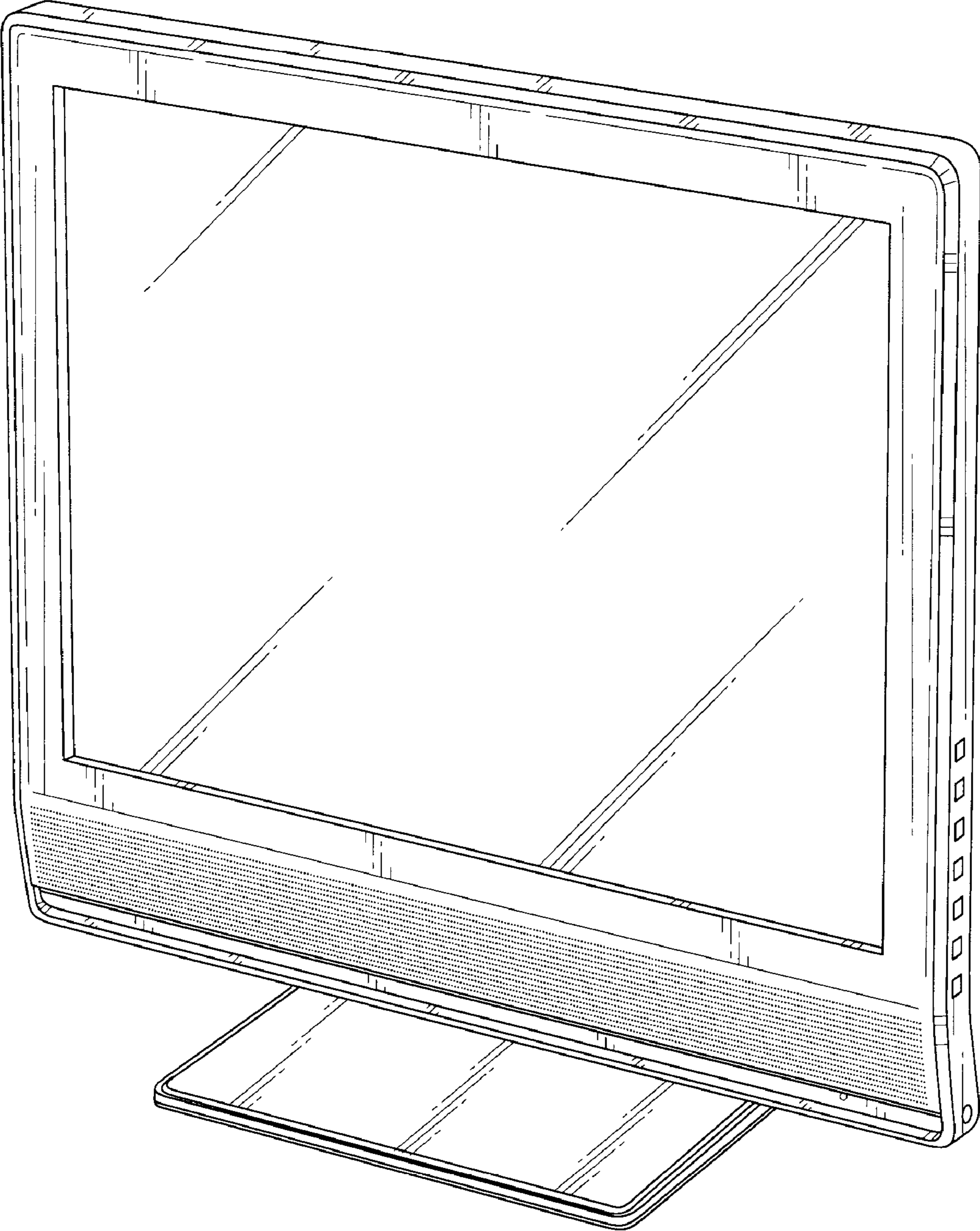


FIG. 1

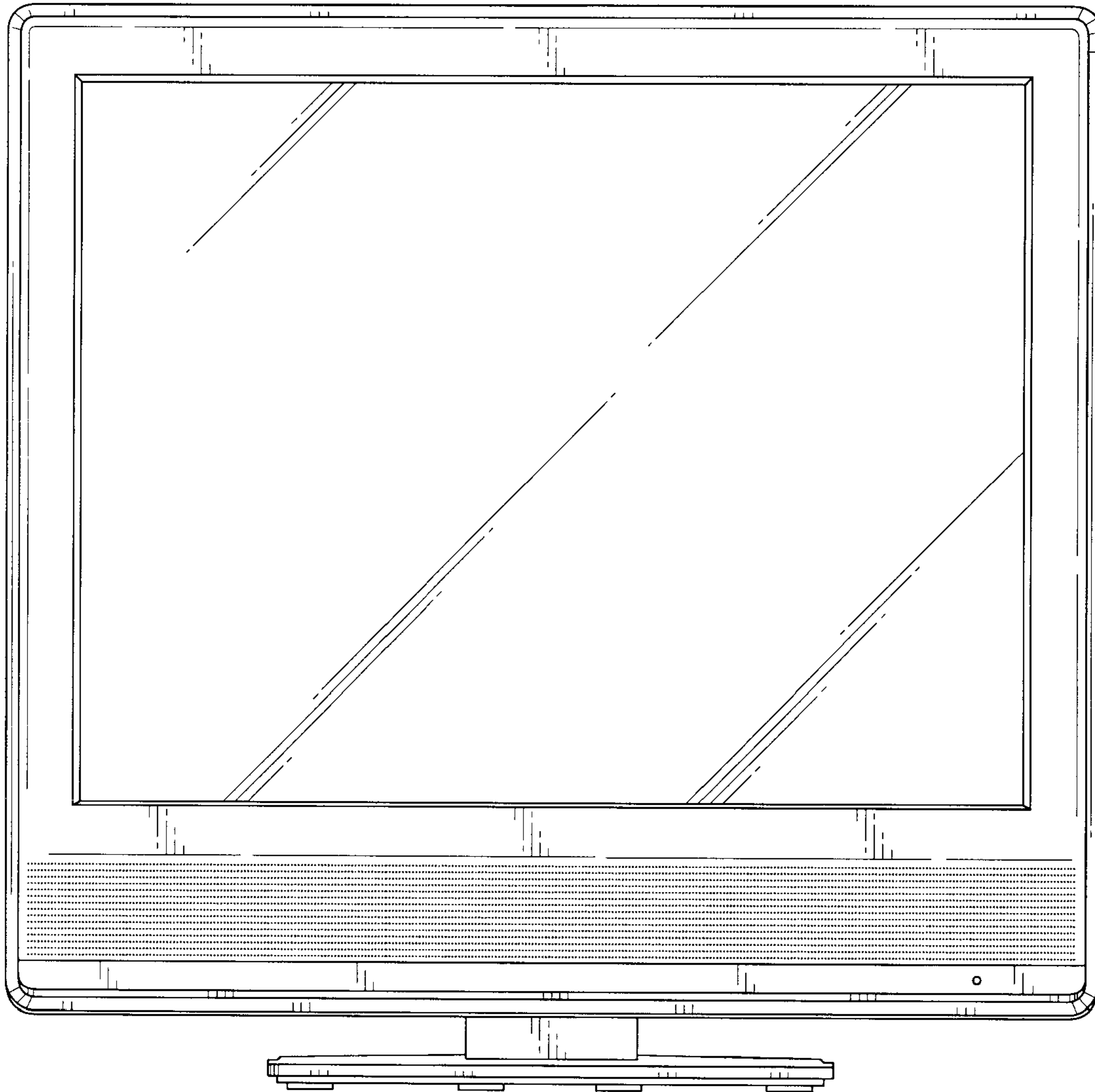


FIG. 2

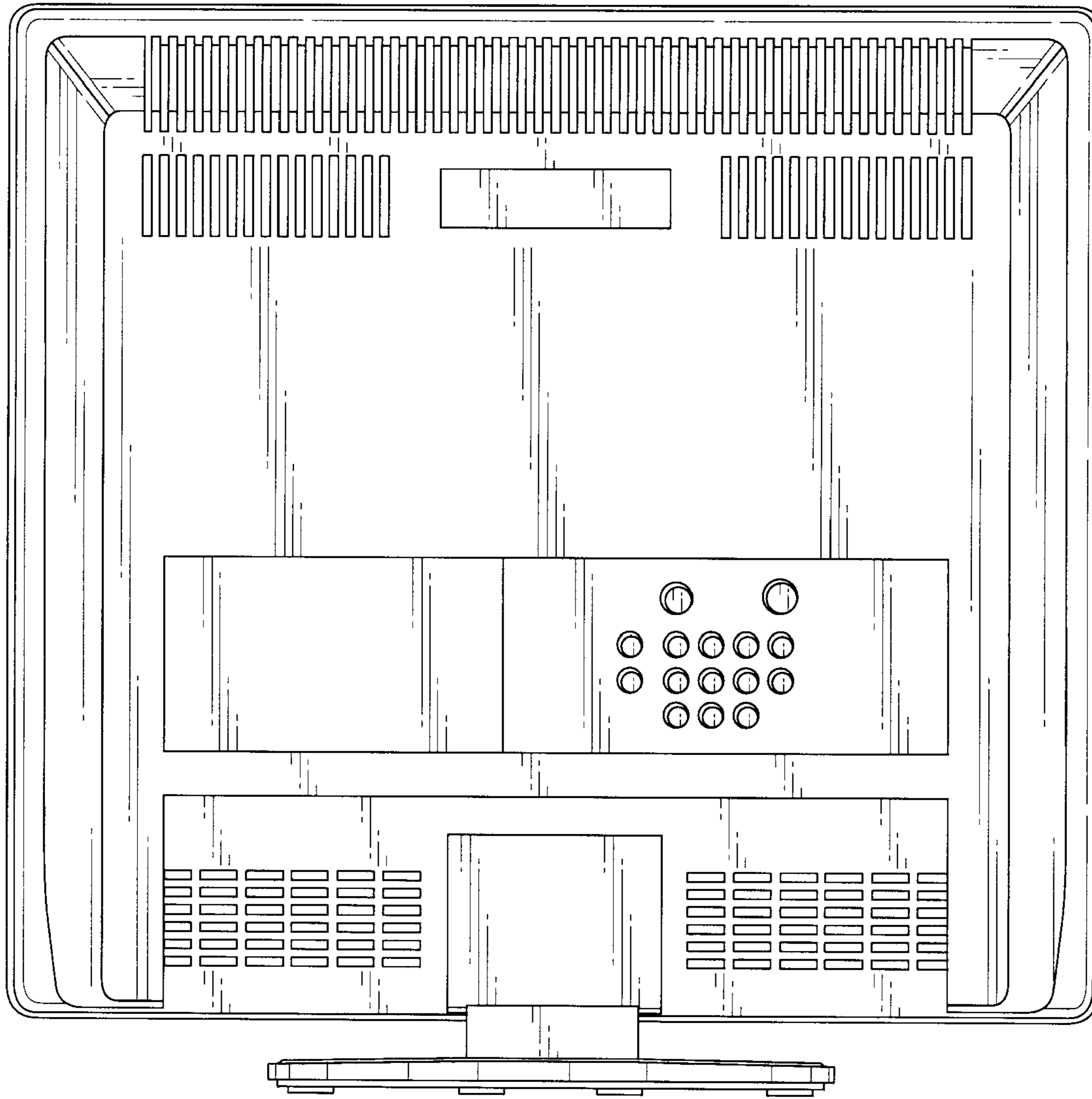


FIG. 3

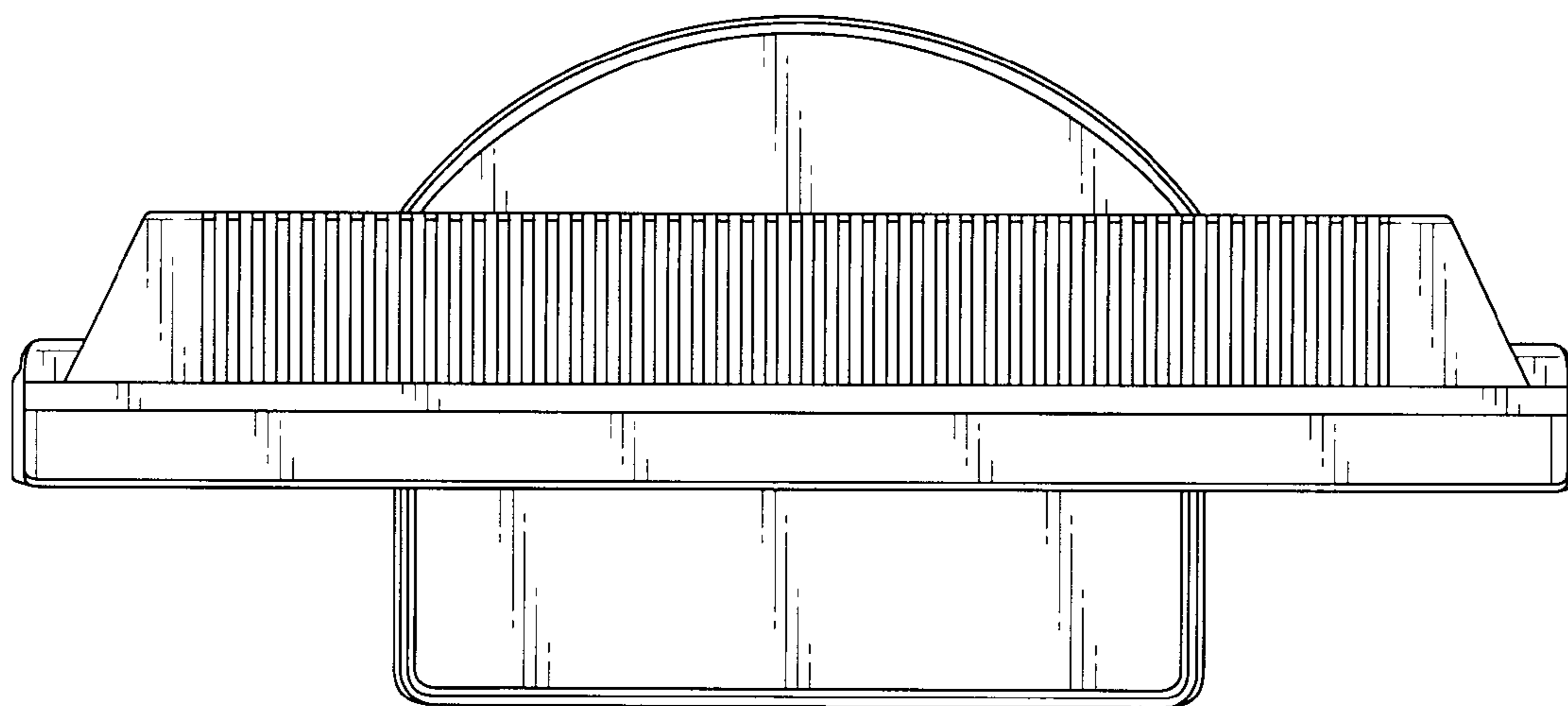


FIG. 4

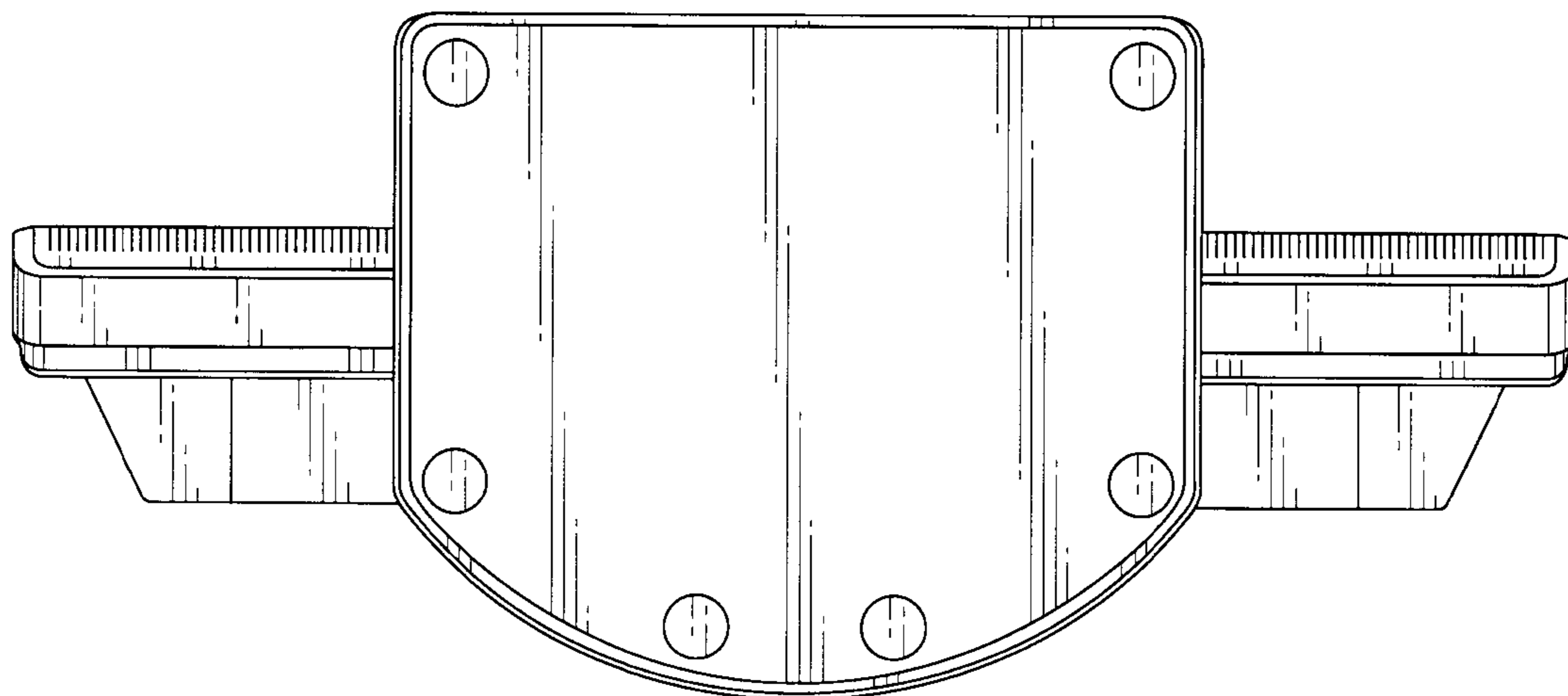


FIG. 5

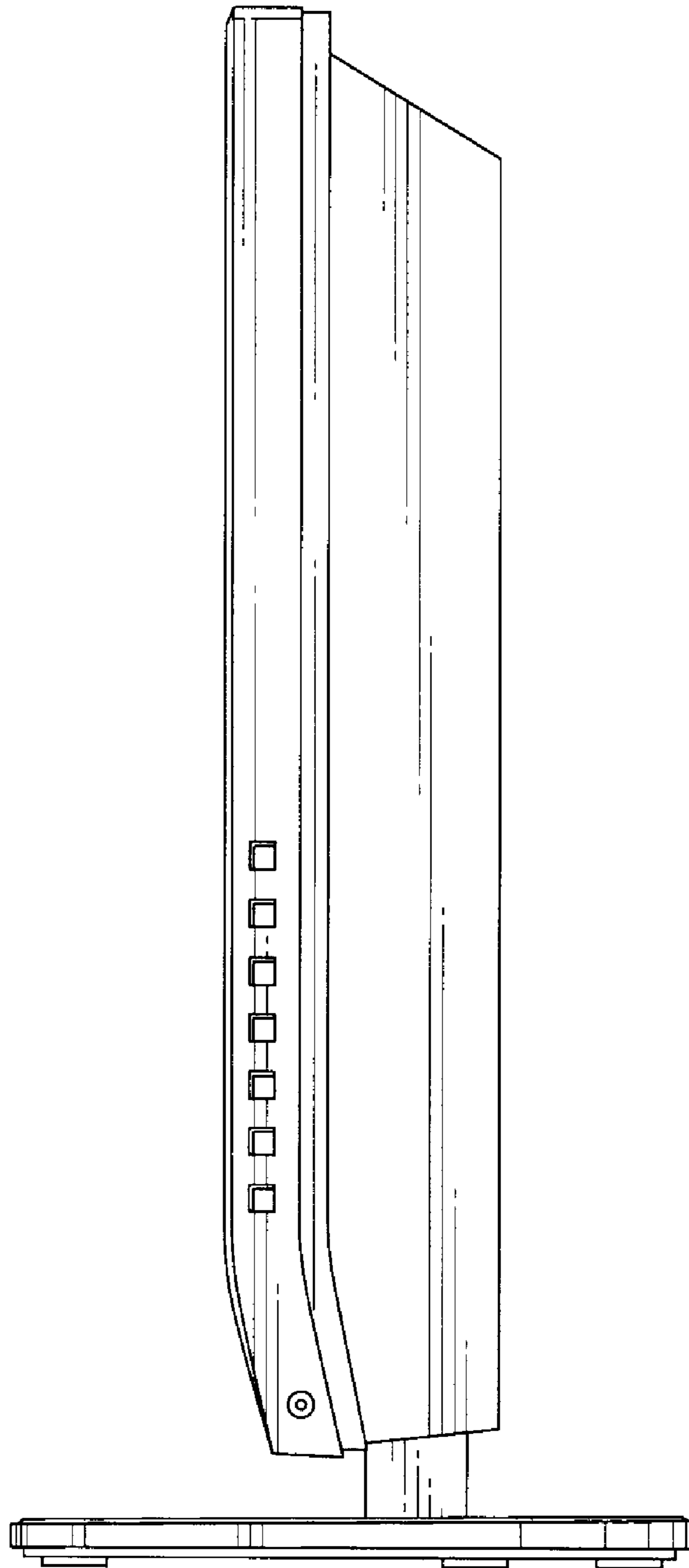


FIG. 6

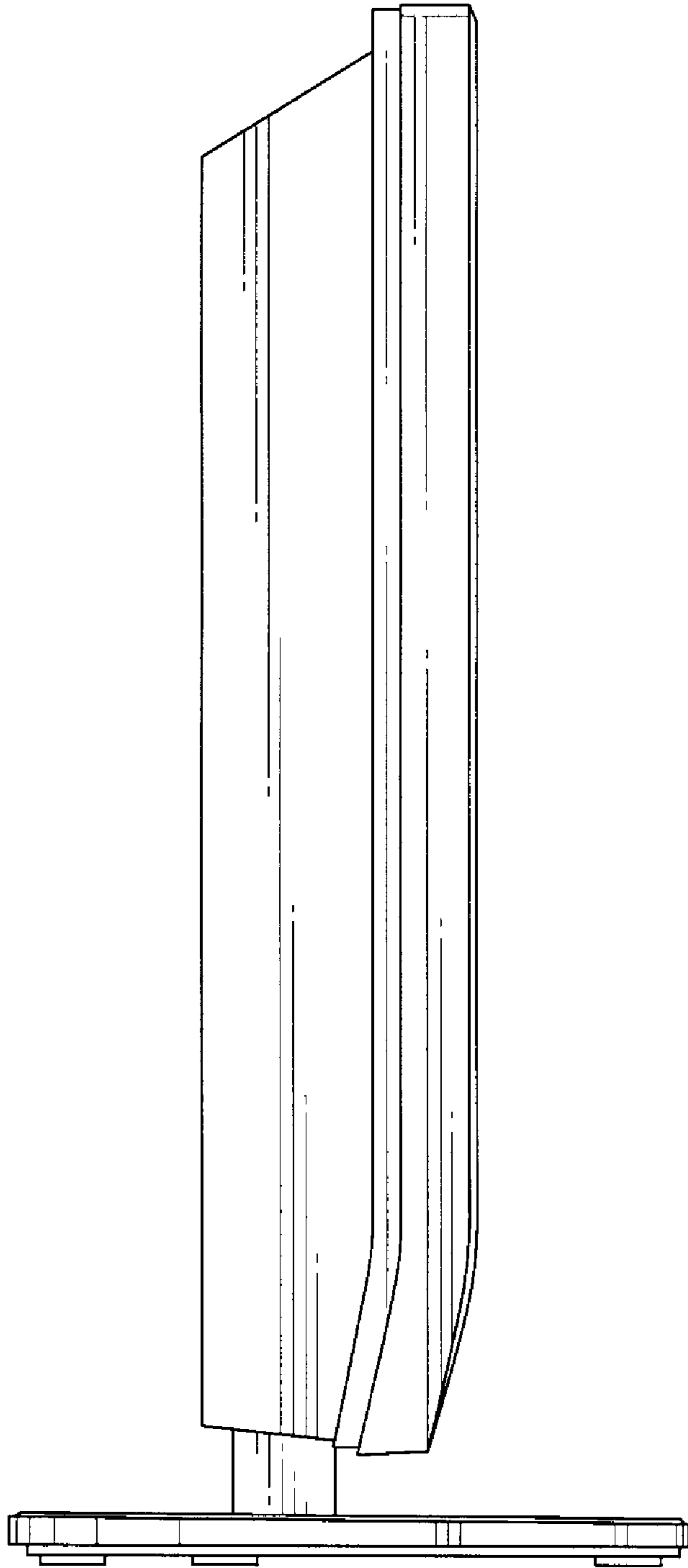


FIG. 7