

US00D565518S

(12) **United States Design Patent**
Tu

(10) **Patent No.:** **US D565,518 S**

(45) **Date of Patent:** **** Apr. 1, 2008**

(54) **FRAME FOR TV SET**

(75) Inventor: **Guofu Tu**, Guangzhou (CN)

(73) Assignee: **Guangzhou Echom Science & Technology Group Co., Ltd.**,
Guangzhou, Guangdong Province (CN)

(**) Term: **14 Years**

(21) Appl. No.: **29/250,741**

(22) Filed: **Nov. 30, 2006**

(51) **LOC (8) Cl.** **14-03**

(52) **U.S. Cl.** **D14/126**

(58) **Field of Classification Search** D14/125-134,
D14/239, 371, 136, 374-377; 312/7.2; 348/836,
348/838, 180, 184, 325, 739; 341/12; 248/917-924,
248/465, 123.11; 345/104, 133, 156, 168,
345/87, 173, 169; 349/1, 2, 11, 62; 720/605,
720/669, 600, 655, 99, 197; 455/344-347
See application file for complete search history.

(56) **References Cited**

U.S. PATENT DOCUMENTS

D427,169 S *	6/2000	Saeki et al.	D14/126
D429,227 S *	8/2000	Shimizu	D14/126
D499,097 S *	11/2004	Tsuji et al.	D14/375
D528,114 S *	9/2006	Kawa et al.	D14/375

D528,115 S *	9/2006	Yoon	D14/375
D532,759 S *	11/2006	Park	D14/126
D542,746 S *	5/2007	Kim	D14/126
D543,517 S *	5/2007	Chikuma et al.	D14/126
D544,850 S *	6/2007	Kita	D14/126
D550,176 S *	9/2007	Asanuma et al.	D14/126

* cited by examiner

Primary Examiner—Raphael Barkai
Assistant Examiner—Randall H Gholson

(57) **CLAIM**

The ornamental design for a frame for tv set, as shown and described.

DESCRIPTION

The claimed frame for tv set is a structure for enclosing a tv set.

FIG. 1 is a front elevational view of a frame for tv set showing my new design;

FIG. 2 is a rear elevational view thereof;

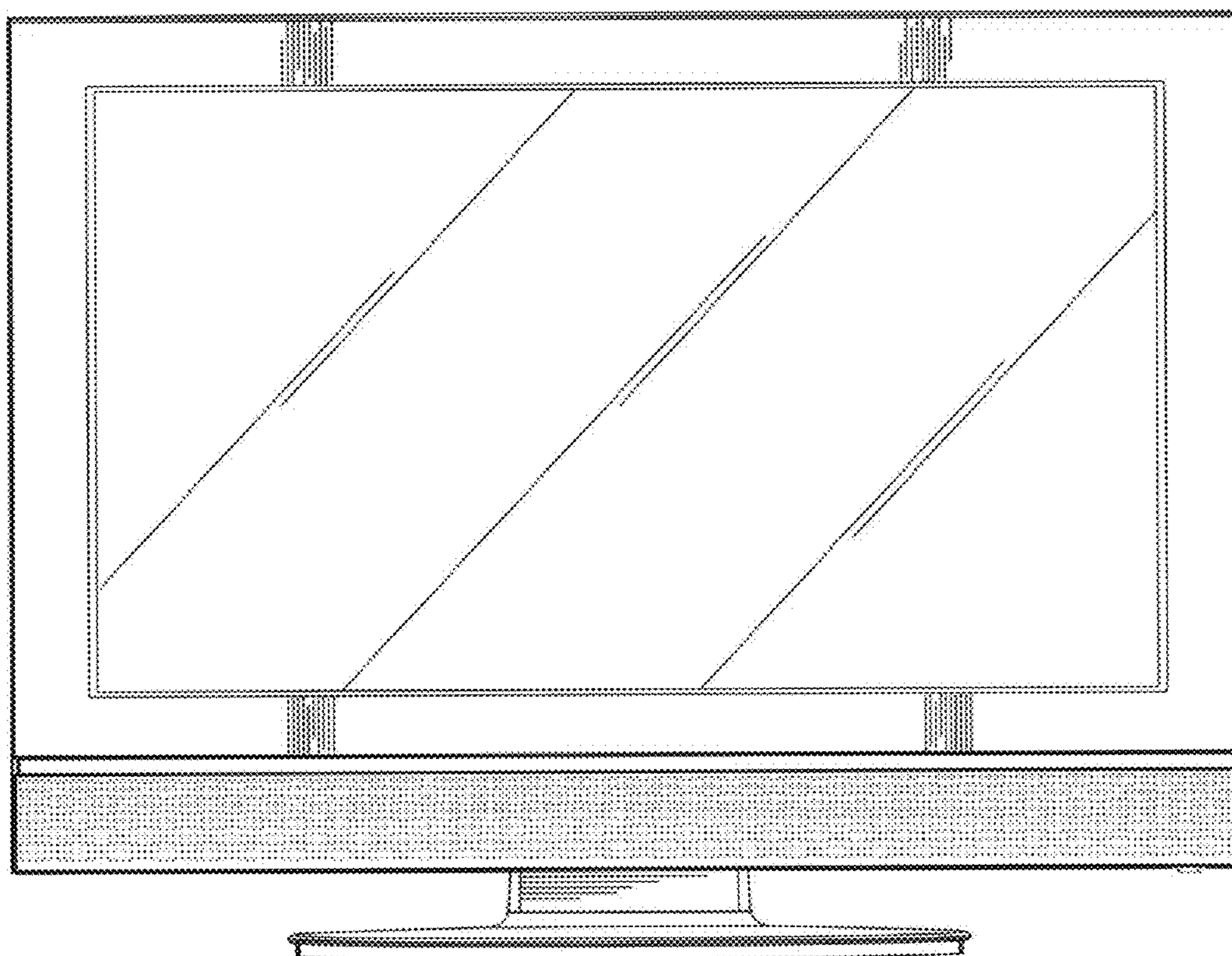
FIG. 3 is a left side view thereof;

FIG. 4 is a right side view thereof;

FIG. 5 is a top plan view thereof; and,

FIG. 6 is a bottom plan view thereof.

1 Claim, 3 Drawing Sheets



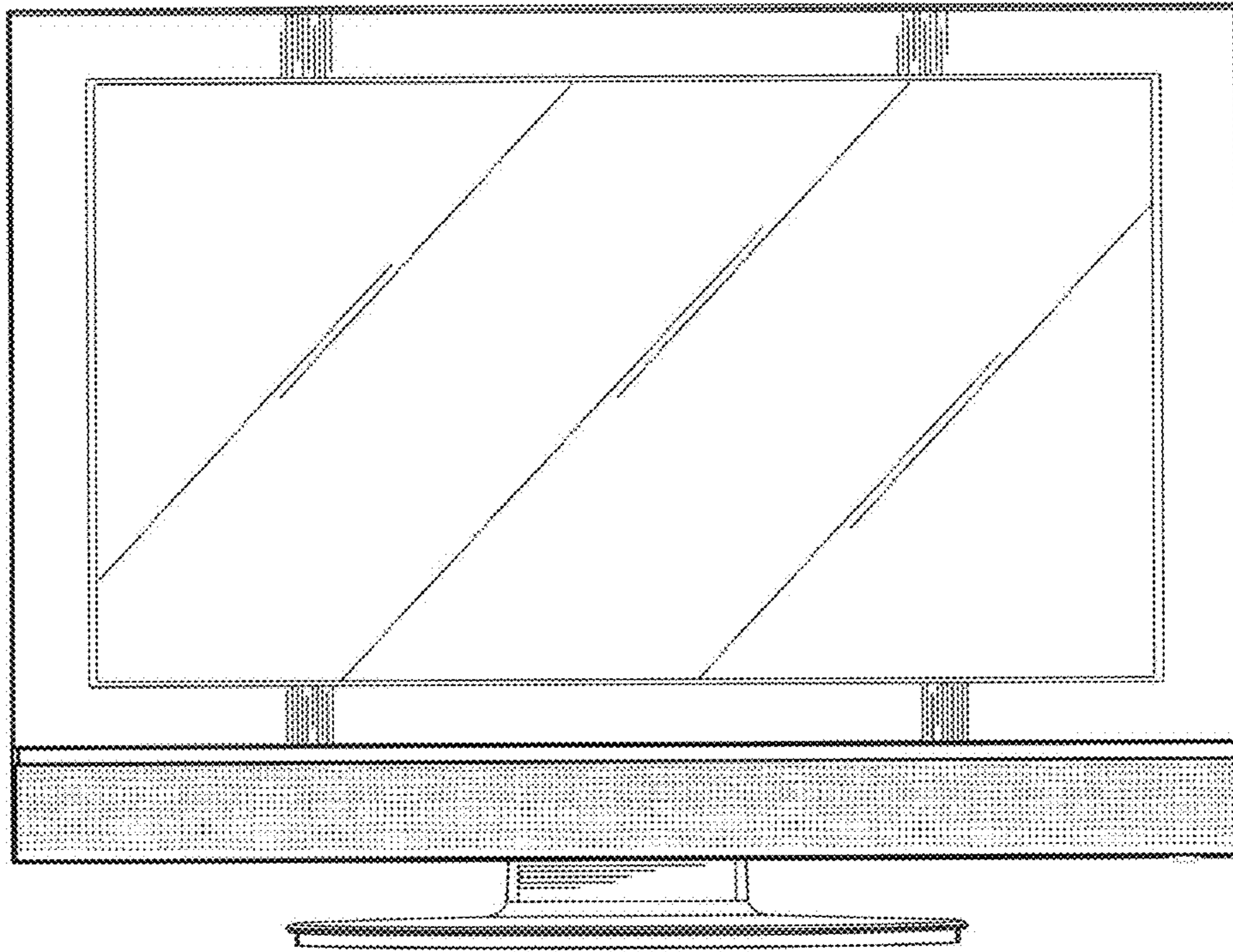


FIG. 1

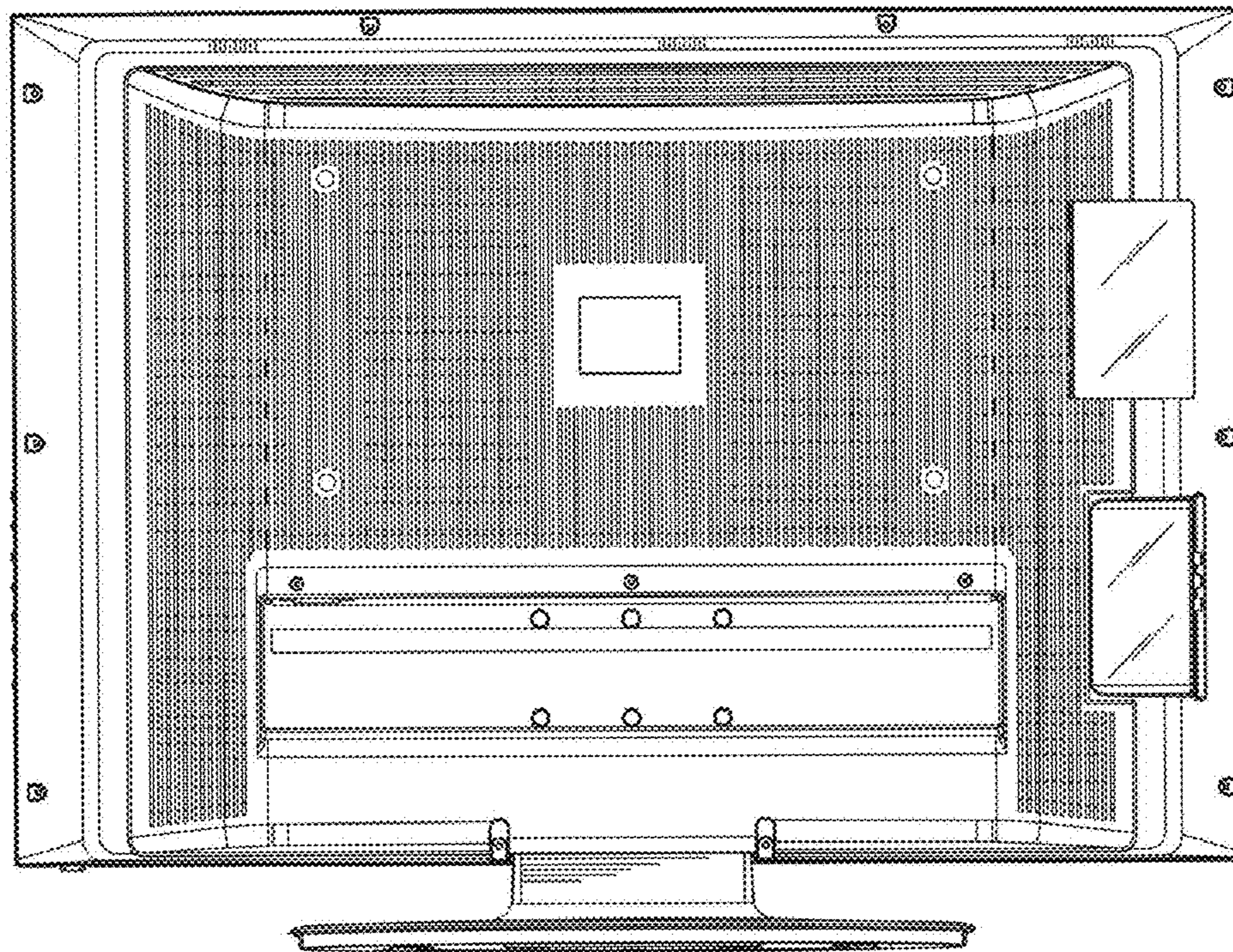


FIG. 2

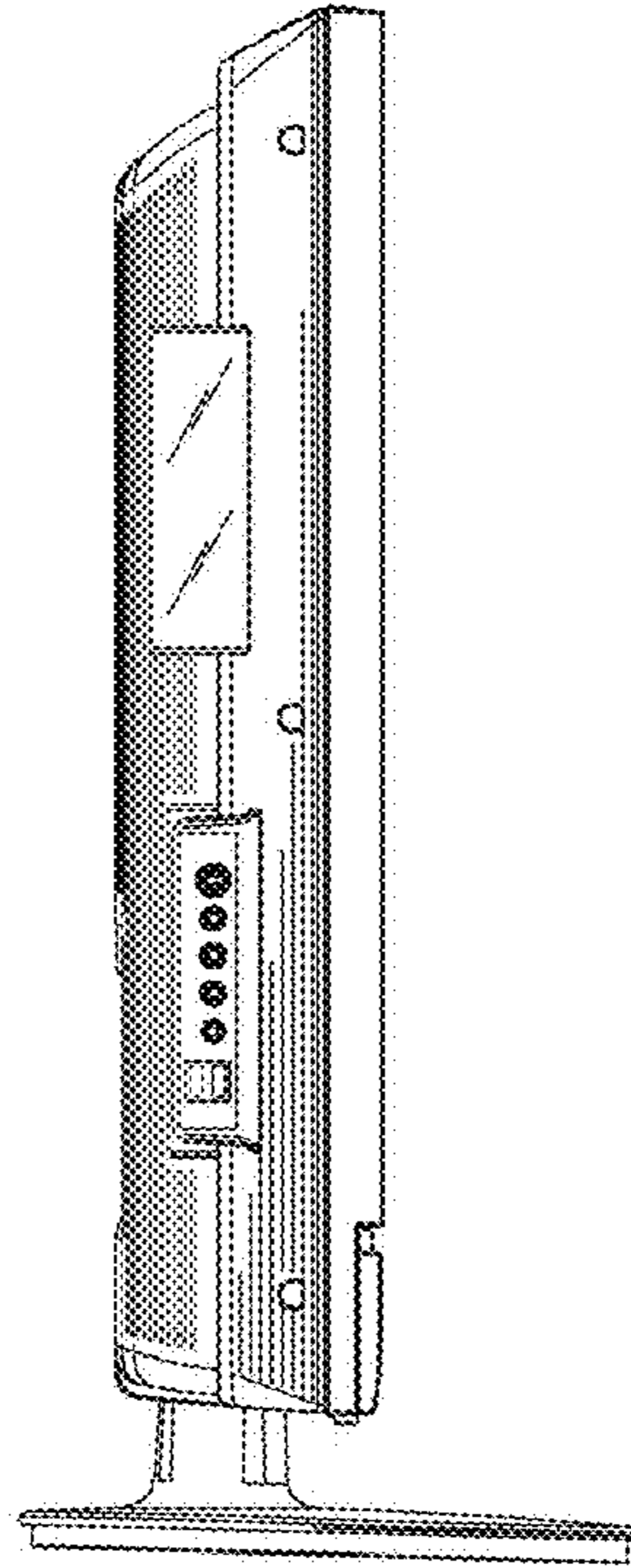


FIG. 3

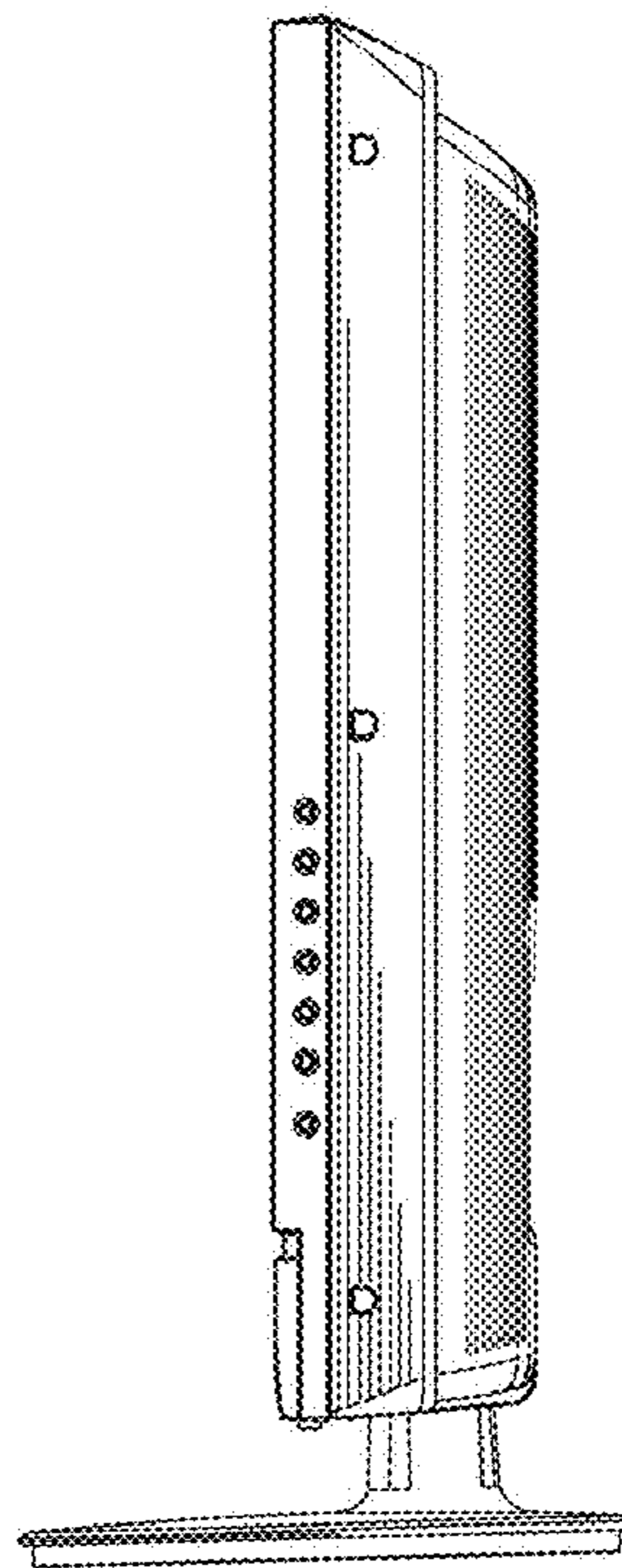


FIG. 4

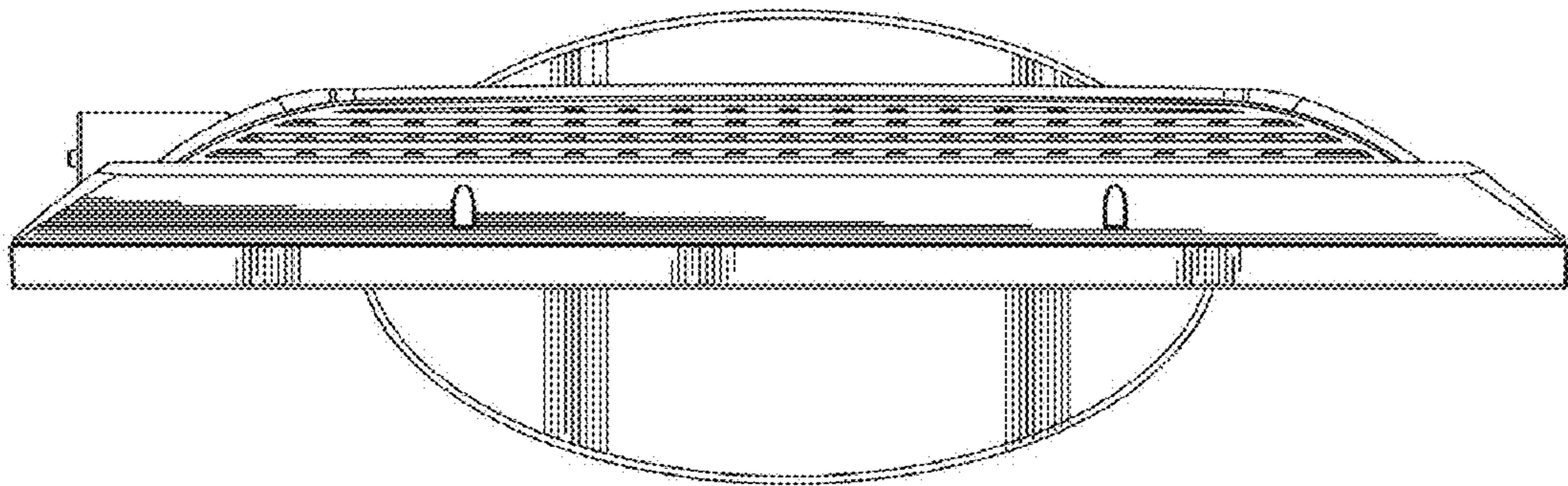


FIG. 5

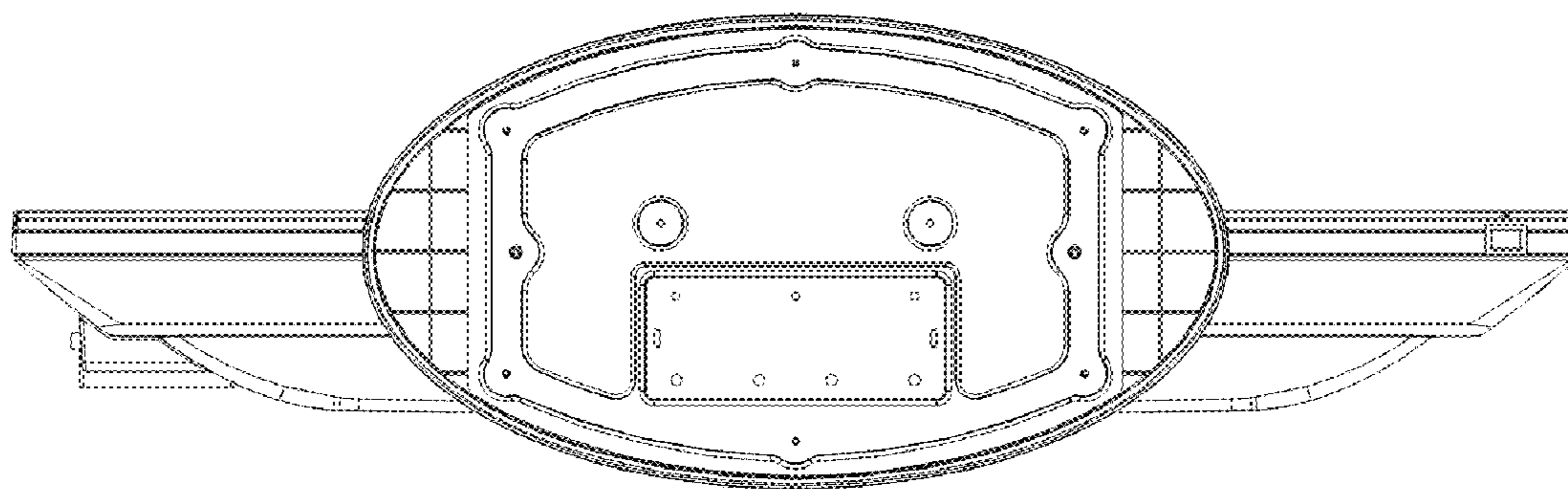


FIG. 6