



US00D565517S

(12) **United States Design Patent**
Chien et al.

(10) **Patent No.:** **US D565,517 S**

(45) **Date of Patent:** **** Apr. 1, 2008**

(54) **LCD TV**

D552,571 S * 10/2007 Fujii et al. D14/126

(75) Inventors: **Ming-Chih Chien**, Sanchung (TW);
Gwo-Chyuan Chen, Taipei (TW)

FOREIGN PATENT DOCUMENTS

JP	1244735	1/1989
KR	3020030031837	8/2004
KR	3020040007371	11/2004
KR	3020040033148	5/2005
KR	3020050030240	4/2006

(73) Assignee: **Quanta Computer, Inc.**, Tao Yuan
Shien (TW)

(**) Term: **14 Years**

OTHER PUBLICATIONS

(21) Appl. No.: **29/248,535**

English language translation of office action mailed Mar. 28, 2007
(including Search Report).

(22) Filed: **Aug. 21, 2006**

* cited by examiner

(51) **LOC (8) Cl.** **14-03**

(52) **U.S. Cl.** **D14/126**

(58) **Field of Classification Search** D14/125-134,
D14/239, 371, 136, 374-377; 312/7.2; 348/836,
348/838, 180, 184, 325, 739; 341/12; 248/917-924,
248/465, 123.11; 345/104, 133, 156, 168,
345/87, 173, 169; 349/1, 2, 11, 62; 720/605,
720/669, 600, 655, 99, 197; 455/344-347;
369/99, 197

Primary Examiner—Raphael Barkai

Assistant Examiner—Randall H Gholson

(74) *Attorney, Agent, or Firm*—Thomas, Kayden,
Horstemeyer & Risley

See application file for complete search history.

(57) **CLAIM**

The ornamental design for a LCD TV, as shown and
described.

(56) **References Cited**

DESCRIPTION

U.S. PATENT DOCUMENTS

D458,928 S *	6/2002	Duan	D14/375
D471,549 S *	3/2003	Tsuji	D14/375
D494,553 S *	8/2004	Yang	D14/126
D510,730 S *	10/2005	Asanuma et al.	D14/126
D517,550 S *	3/2006	Depay et al.	D14/375
D529,881 S *	10/2006	Honda	D14/126
D547,276 S *	7/2007	Yang et al.	D14/126
D547,313 S *	7/2007	Kim	D14/375
D551,186 S *	9/2007	Yang et al.	D14/126
D551,187 S *	9/2007	Kita	D14/126

FIG. 1 is a front, side perspective view of a LCD TV
showing our new design;

FIG. 2 is a front elevational view thereof;

FIG. 3 is a rear elevational view thereof;

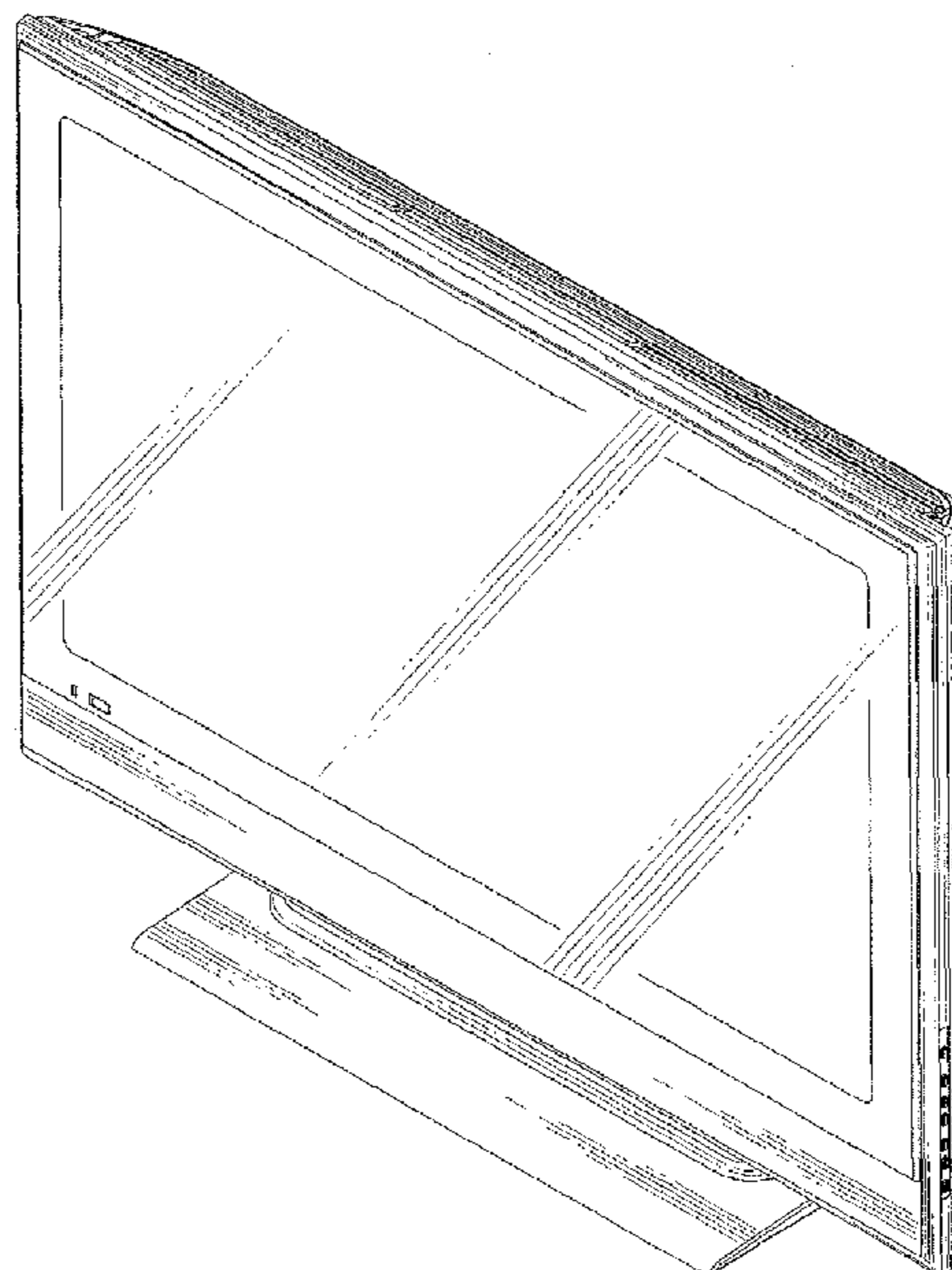
FIG. 4 is a left side elevational view thereof;

FIG. 5 is a right side elevational view thereof;

FIG. 6 is a top plan view thereof; and,

FIG. 7 is a bottom plan view thereof.

1 Claim, 6 Drawing Sheets



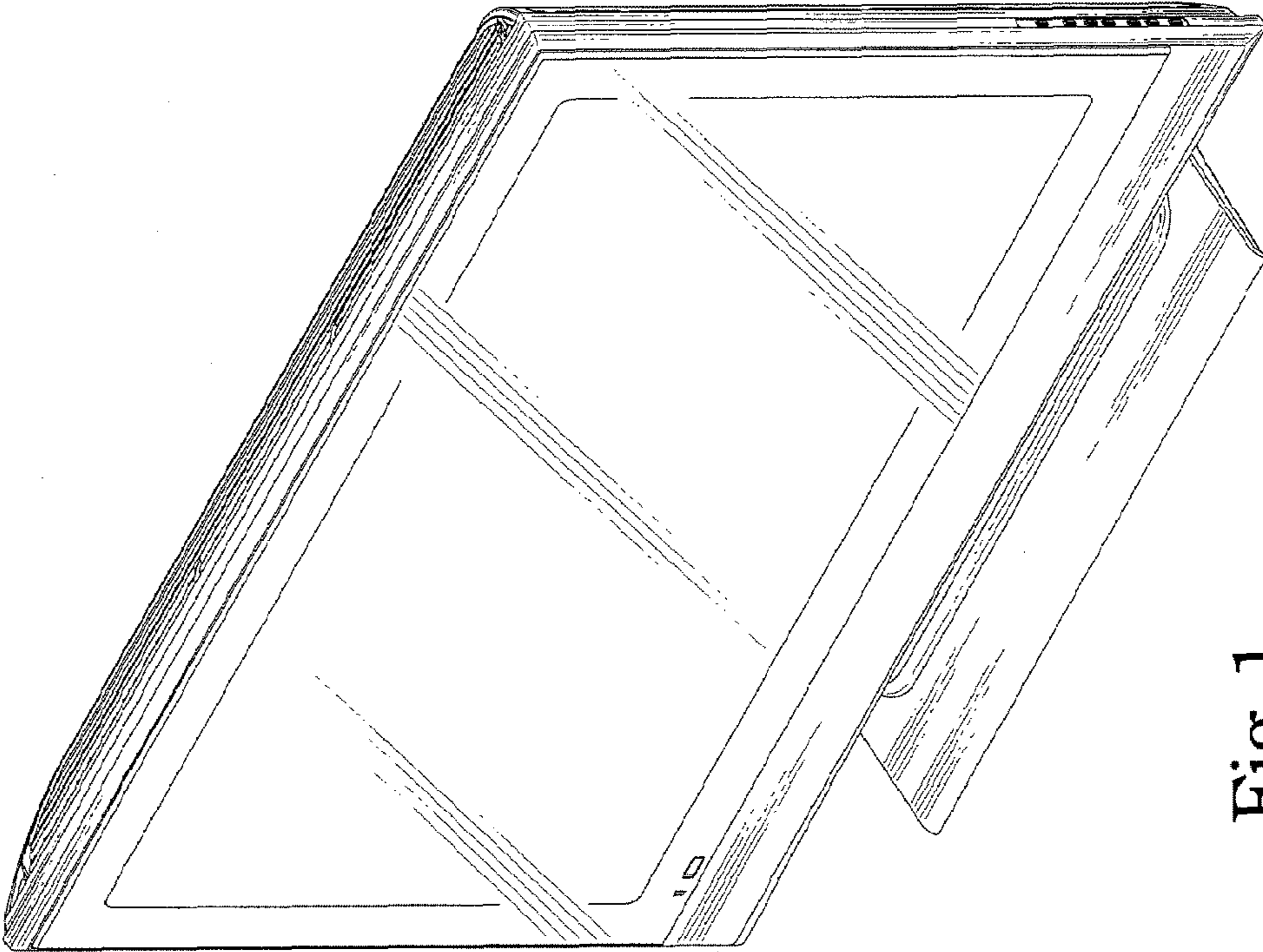


Fig. 1

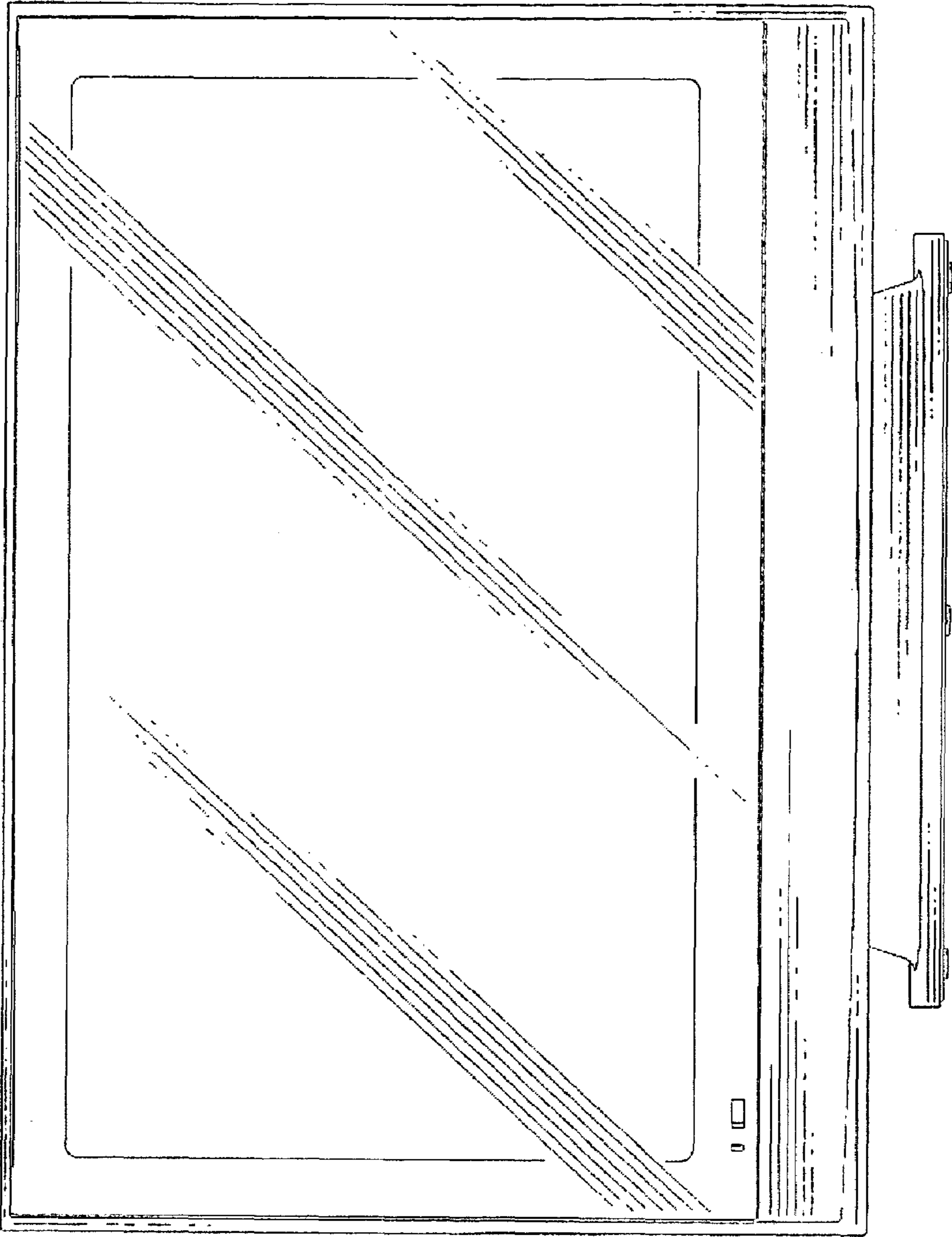


Fig. 2

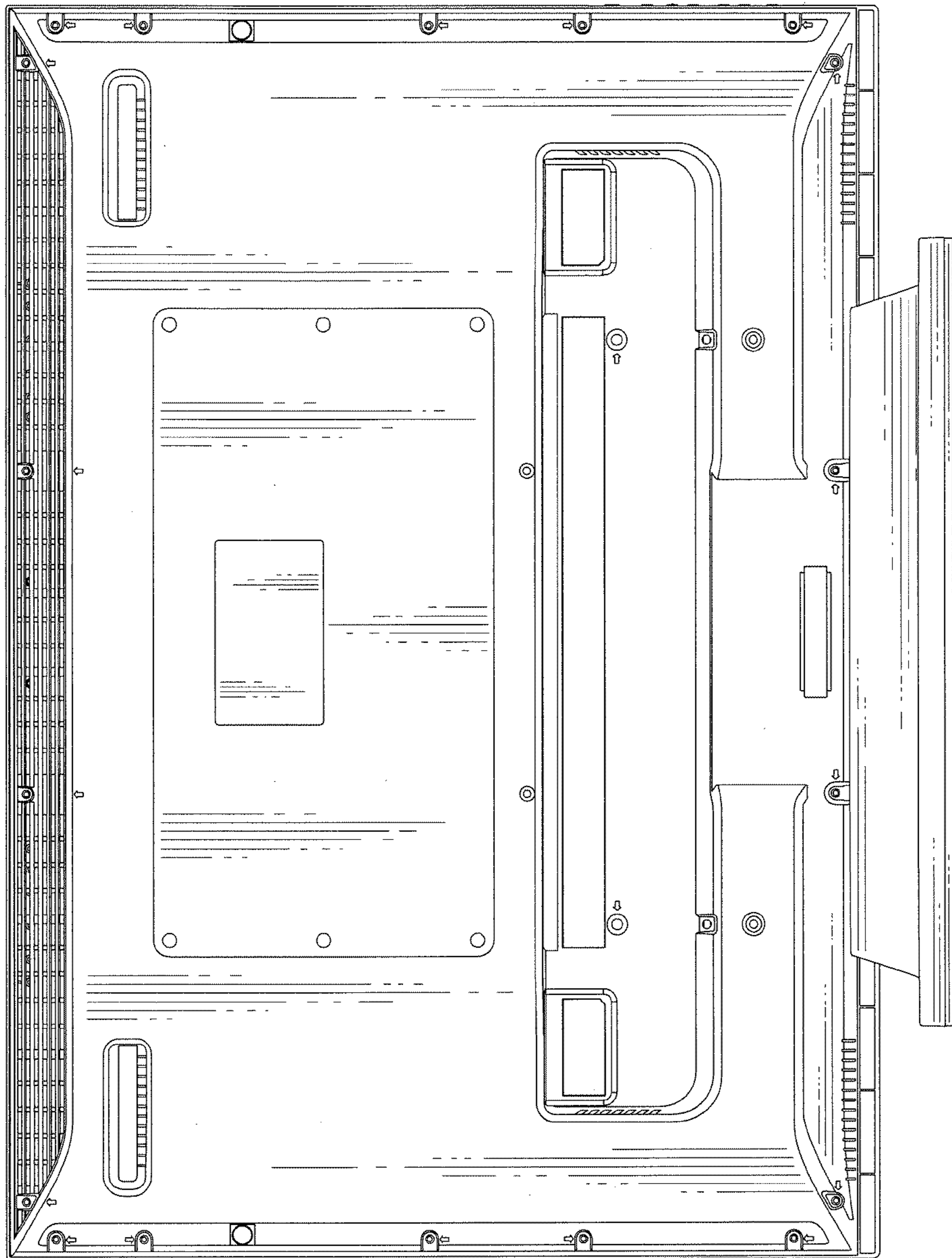


Fig. 3

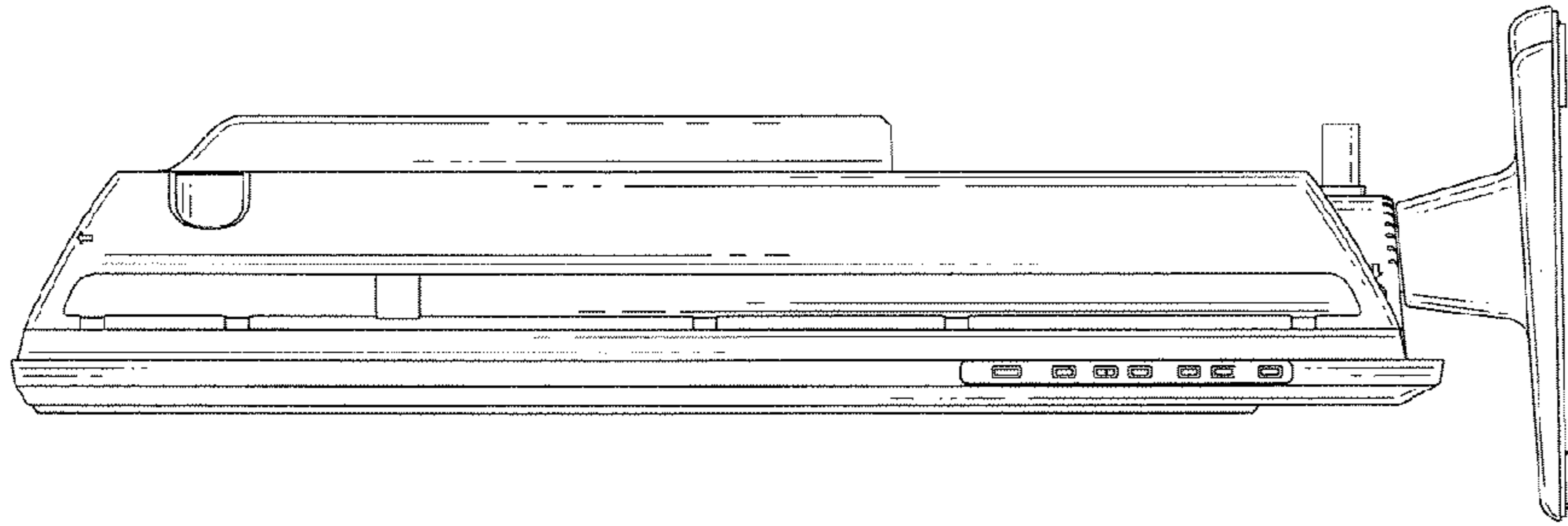


Fig. 5

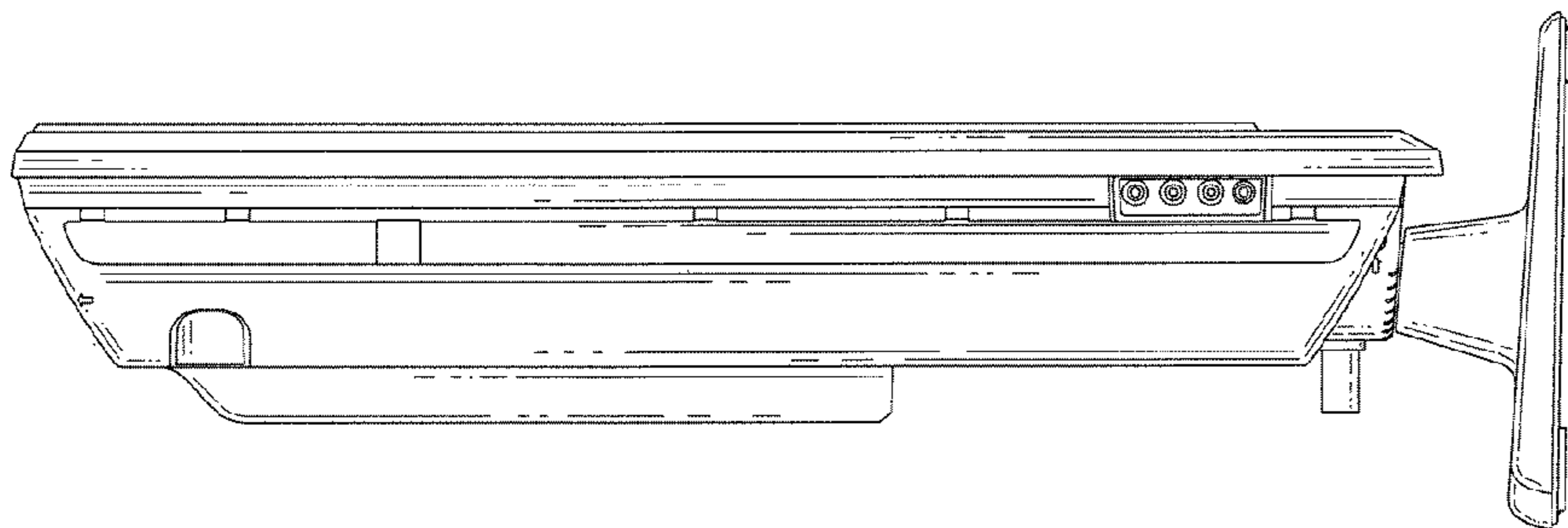


Fig. 4

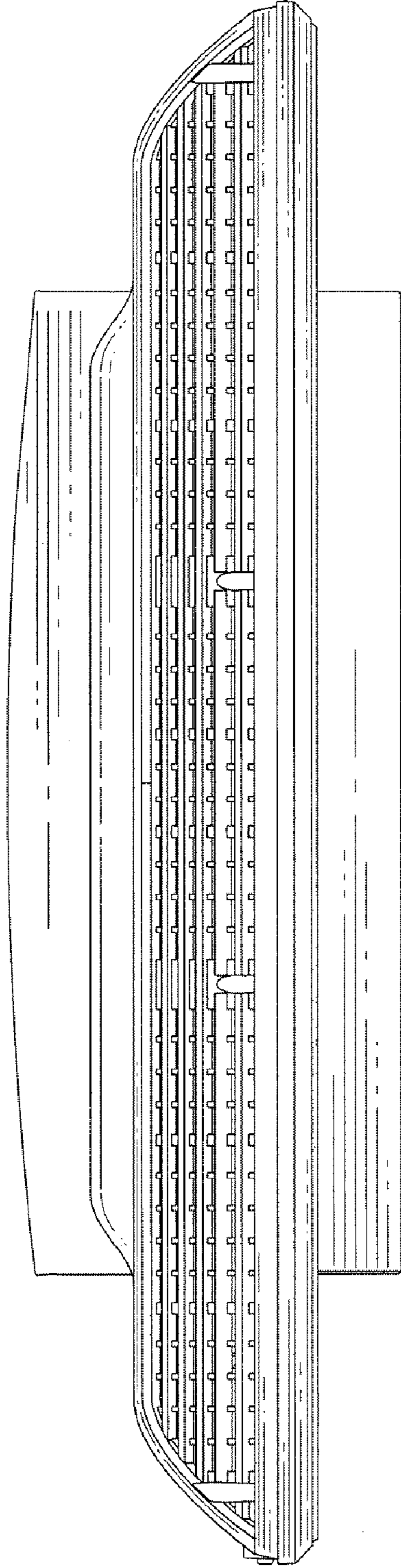


Fig. 6

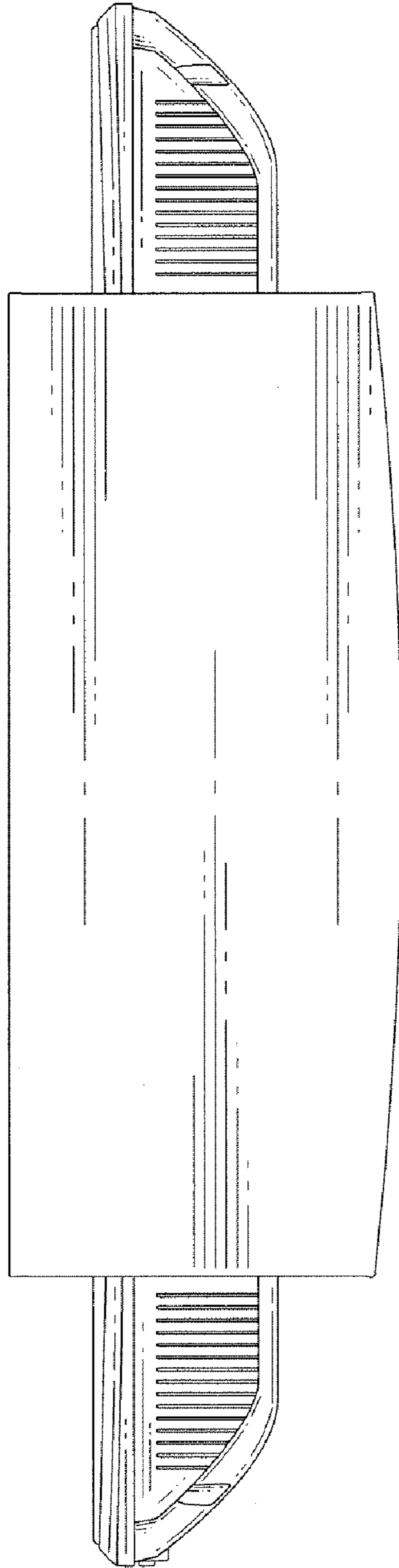


Fig. 7