



US00D565516S

(12) **United States Design Patent** (10) **Patent No.:** **US D565,516 S**
Kamada (45) **Date of Patent:** **** Apr. 1, 2008**

(54) **LIGHT EMITTING DIODE**

(75) Inventor: **Kazuhiro Kamada**, Tokushima-ken (JP)

(73) Assignee: **Nichia Corporation**, Anan (JP)

(**) Term: **14 Years**

(21) Appl. No.: **29/287,961**

(22) Filed: **Oct. 4, 2007**

Related U.S. Application Data

(62) Division of application No. 29/274,650, filed on May 14, 2007, now Pat. No. Des. 557,224, which is a division of application No. 29/267,973, filed on Oct. 26, 2006, now Pat. No. Des. 547,736, which is a division of application No. 29/254,314, filed on Feb. 23, 2006, now Pat. No. Des. 534,505, which is a division of application No. 29/236,523, filed on Aug. 18, 2005, now Pat. No. Des. 519,943, which is a division of application No. 29/218,477, filed on Dec. 3, 2004, now Pat. No. Des. 516,527, which is a division of application No. 29/186,594, filed on Jul. 21, 2003, now Pat. No. Des. 499,384, which is a division of application No. 29/163,058, filed on Jun. 27, 2002, now Pat. No. Des. 482,337.

Foreign Application Priority Data

(30) Dec. 28, 2001 (JP) 2001-038909
Dec. 28, 2001 (JP) 2001-038910
Dec. 28, 2001 (JP) 2001-038911
Dec. 28, 2001 (JP) 2001-038912
Dec. 28, 2001 (JP) 2001-038913
Dec. 28, 2001 (JP) 2001-038914
Dec. 28, 2001 (JP) 2001-038915
Dec. 28, 2001 (JP) 2001-038916
Dec. 28, 2001 (JP) 2001-038917
Dec. 28, 2001 (JP) 2001-038918

(51) **LOC (8) Cl.** **13-03**

(52) **U.S. Cl.** **D13/180**

(58) **Field of Classification Search** D13/180;
D26/2; 257/79, 80, 81, 82, 88, 89, 95, 98,
257/99, 100, 678, 680, 433, 434; 313/483,
313/498, 500; 361/820; 362/555, 800
See application file for complete search history.

(56) **References Cited**

U.S. PATENT DOCUMENTS

3,783,353 A 1/1974 Pankove

(Continued)

FOREIGN PATENT DOCUMENTS

JP D1095890 S 1/2001

(Continued)

OTHER PUBLICATIONS

Surface Mount Type LED—Light Emitting Diode-, Product Guide, May 2001, 6 pages, Cat. No. 01055K, Nichia Corporation, Japan.

Primary Examiner—Selina Sikder

(74) *Attorney, Agent, or Firm*—Smith Patent Office

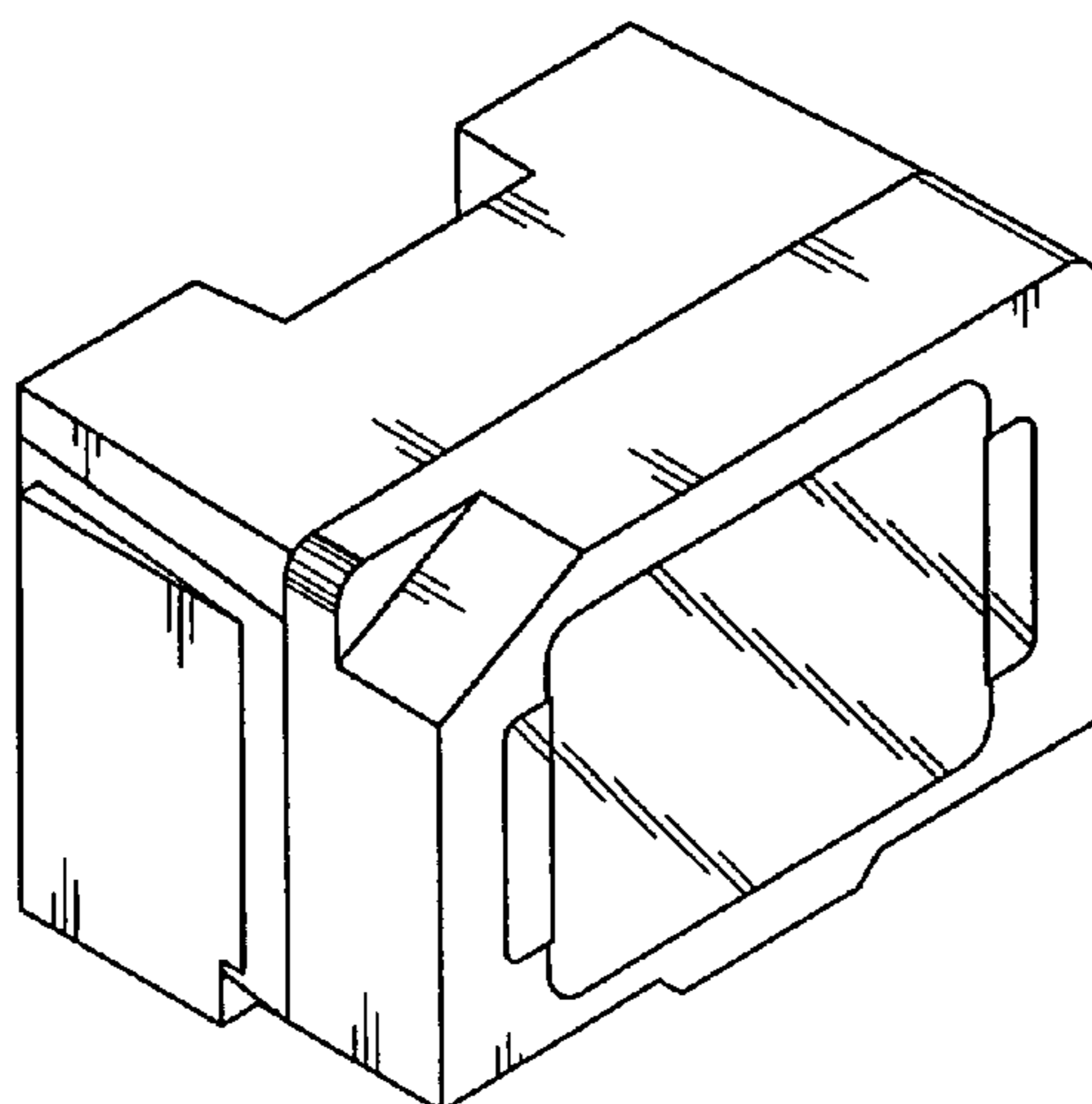
(57) **CLAIM**

I claim the ornamental design for the light emitting diode, as shown and described.

DESCRIPTION

FIG. 1 is a perspective view of a light emitting diode showing my new design;
FIG. 2 is a top plan view thereof;
FIG. 3 is a left side elevation view thereof;
FIG. 4 is a front elevation view thereof;
FIG. 5 is a right side elevation view thereof;
FIG. 6 is a bottom plan view thereof; and,
FIG. 7 is a rear elevation view thereof.

1 Claim, 2 Drawing Sheets



US D565,516 S

Page 2

U.S. PATENT DOCUMENTS

4,127,792 A 11/1978 Nakata
5,226,053 A 7/1993 Cho et al.
5,534,718 A 7/1996 Chang
RE36,614 E 3/2000 Lombard et al.
D432,095 S 10/2000 Seeger et al.
6,174,070 B1 1/2001 Takamura et al.
D437,798 S 2/2001 Kiba et al.
D439,351 S 3/2001 Kiba et al.
D453,745 S 2/2002 Suenaga
6,386,733 B1 5/2002 Ohkohdo et al.
6,450,663 B1 9/2002 Reinbach
D477,579 S 7/2003 Suenaga
6,610,563 B1 8/2003 Waitl et al.
D482,337 S 11/2003 Kamada
D490,782 S 6/2004 Suenaga

6,747,293 B2 6/2004 Nitta et al.
D499,384 S 12/2004 Kamada
D511,147 S 11/2005 Suenaga
D516,527 S 3/2006 Kamada
D519,943 S 5/2006 Kamada
D534,505 S 1/2007 Kamada
D547,736 S * 7/2007 Kamada et al. D13/180
D557,224 S * 12/2007 Kamada D13/180

FOREIGN PATENT DOCUMENTS

JP D1095891 S 1/2001
JP D1106536 S 4/2001
JP D1106839 S 4/2001
JP D1106840 S 4/2001

* cited by examiner

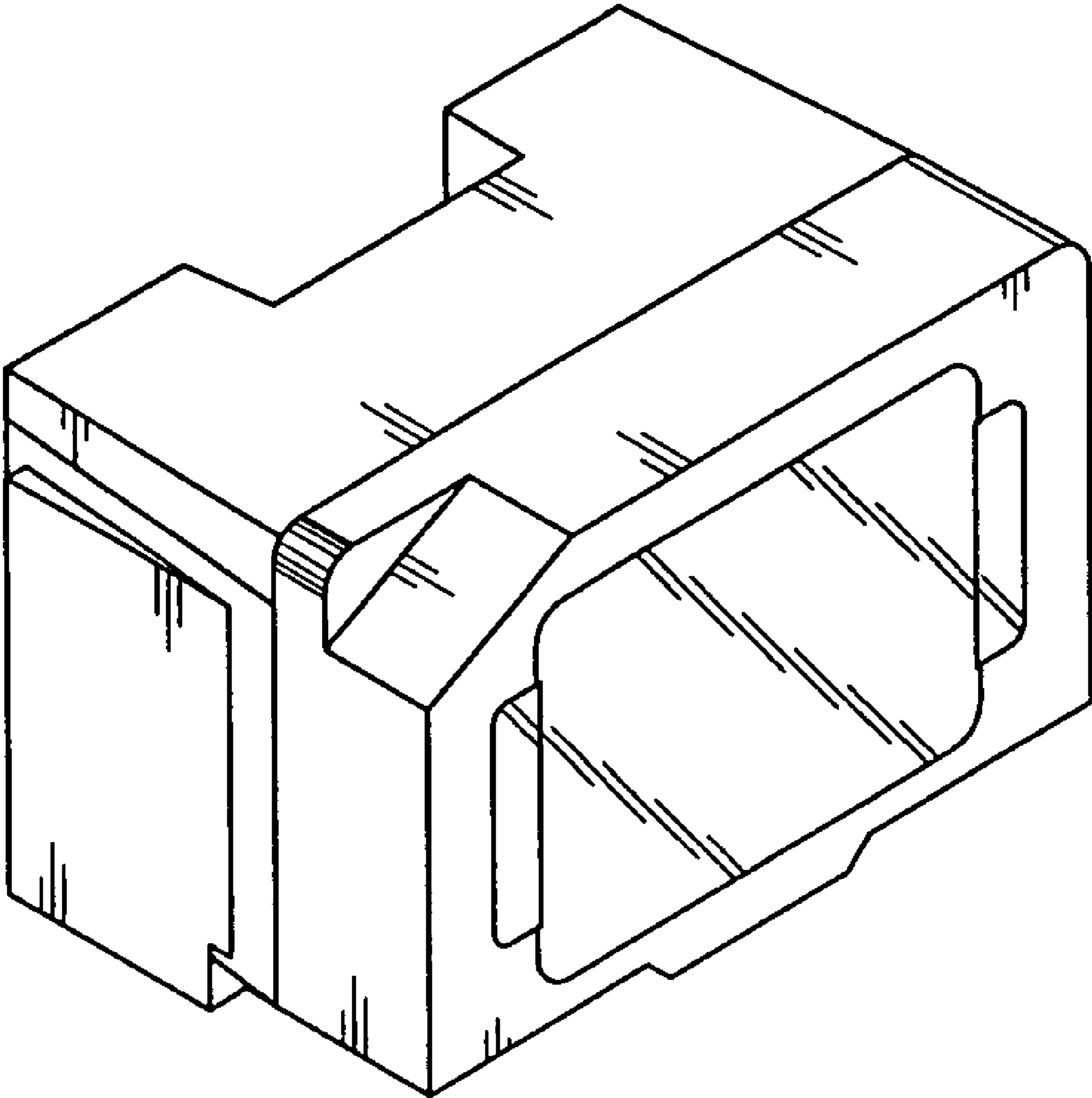


FIG. 1

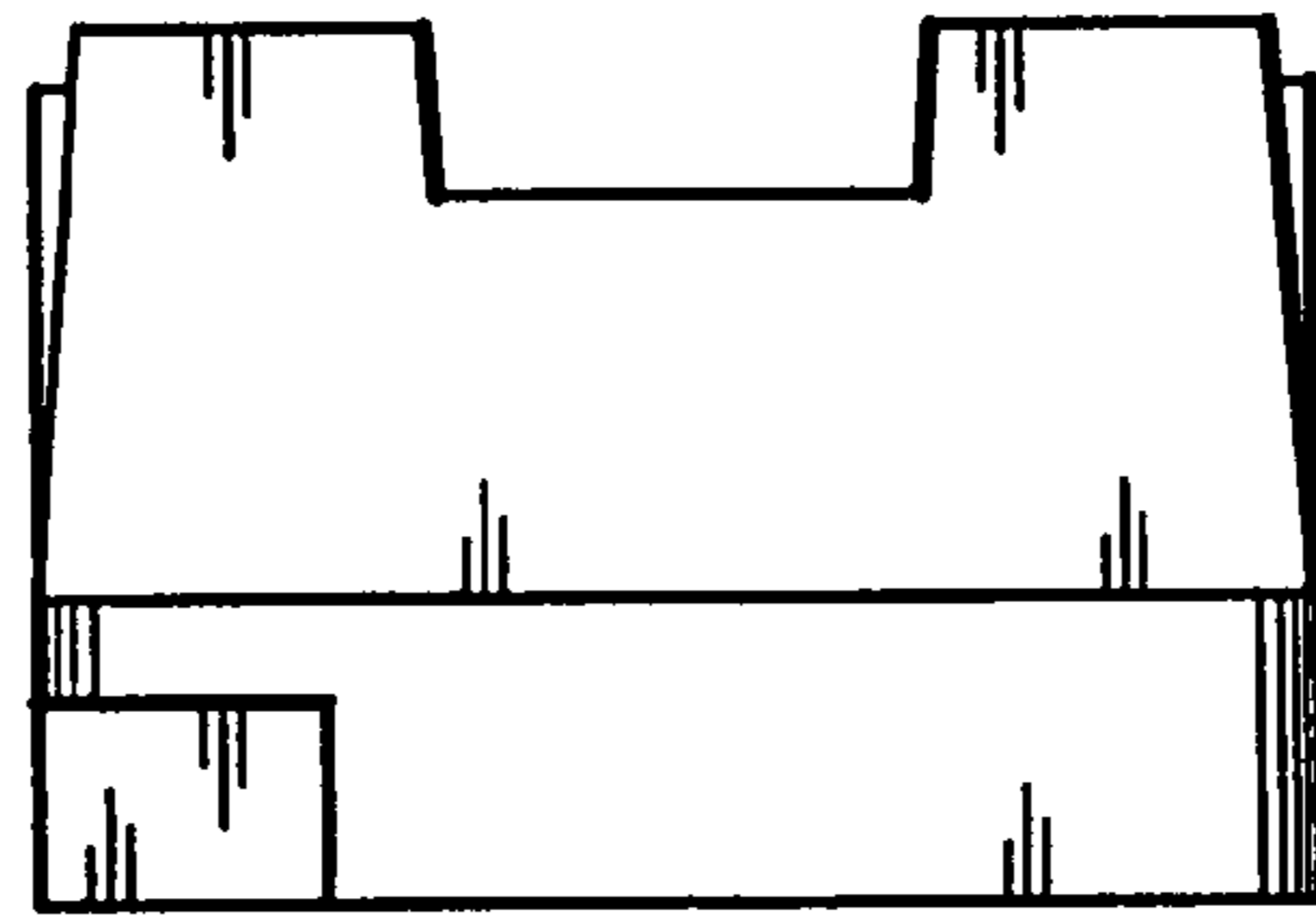


FIG. 2

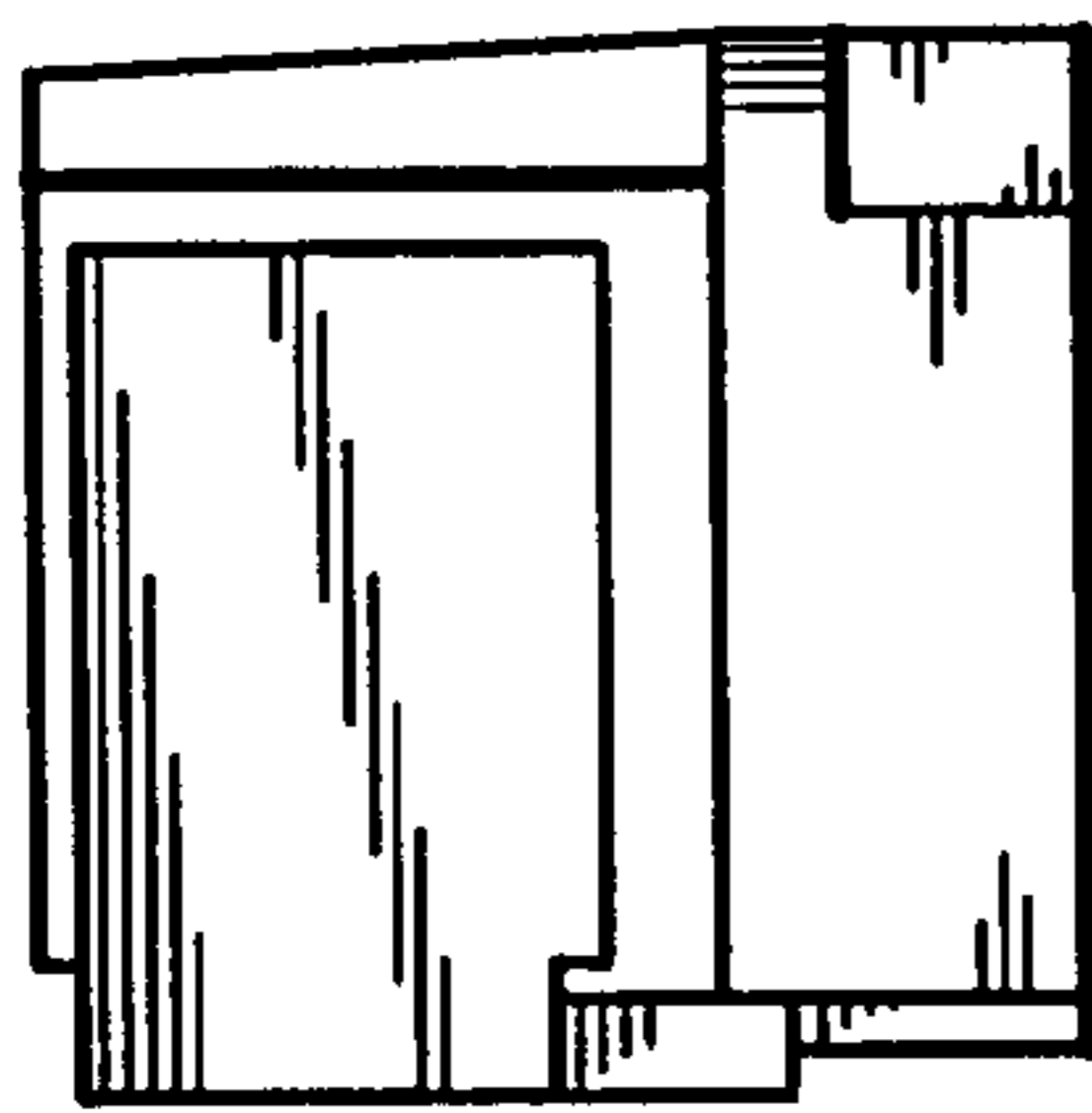


FIG. 3

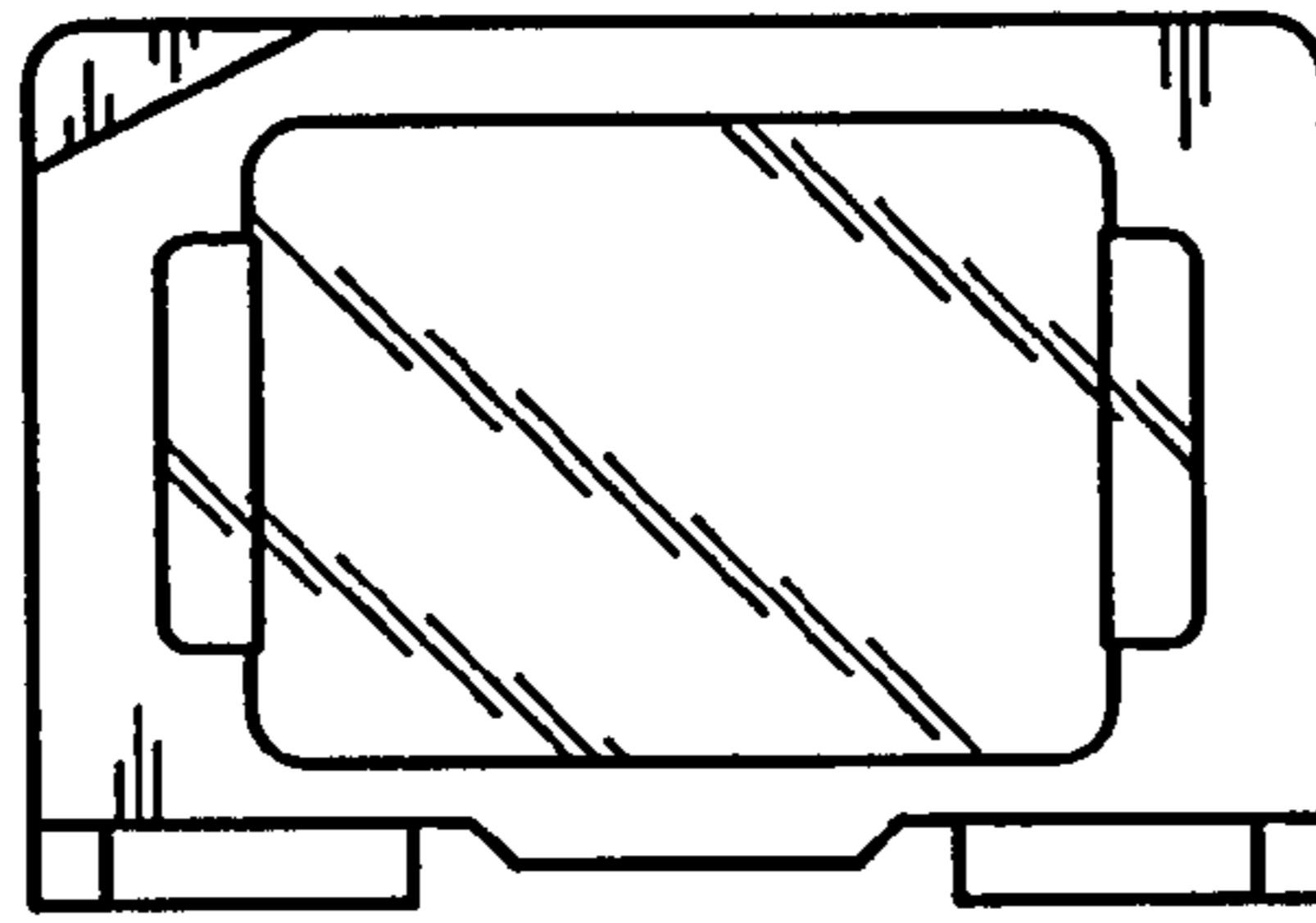


FIG. 4

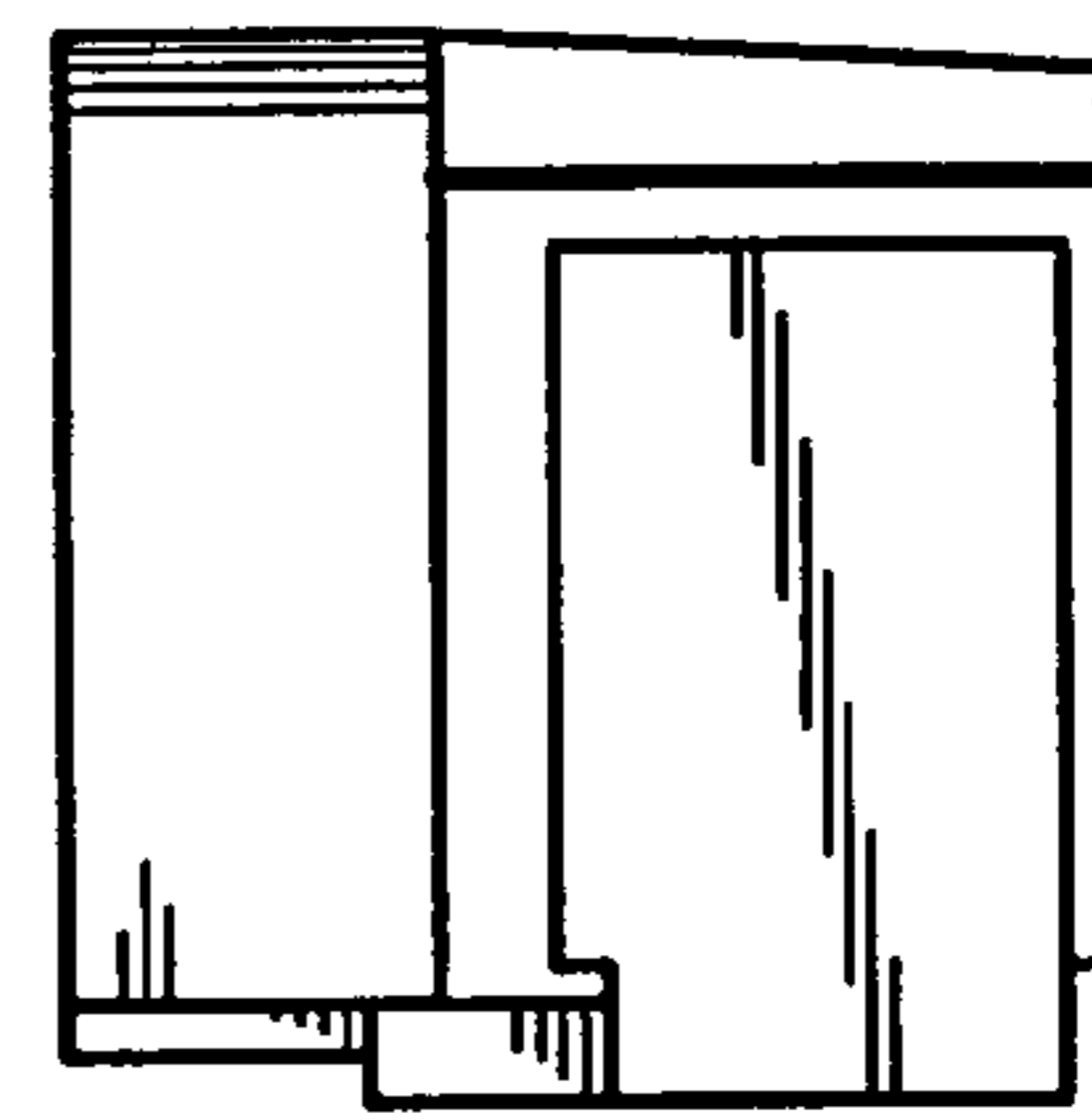


FIG. 5

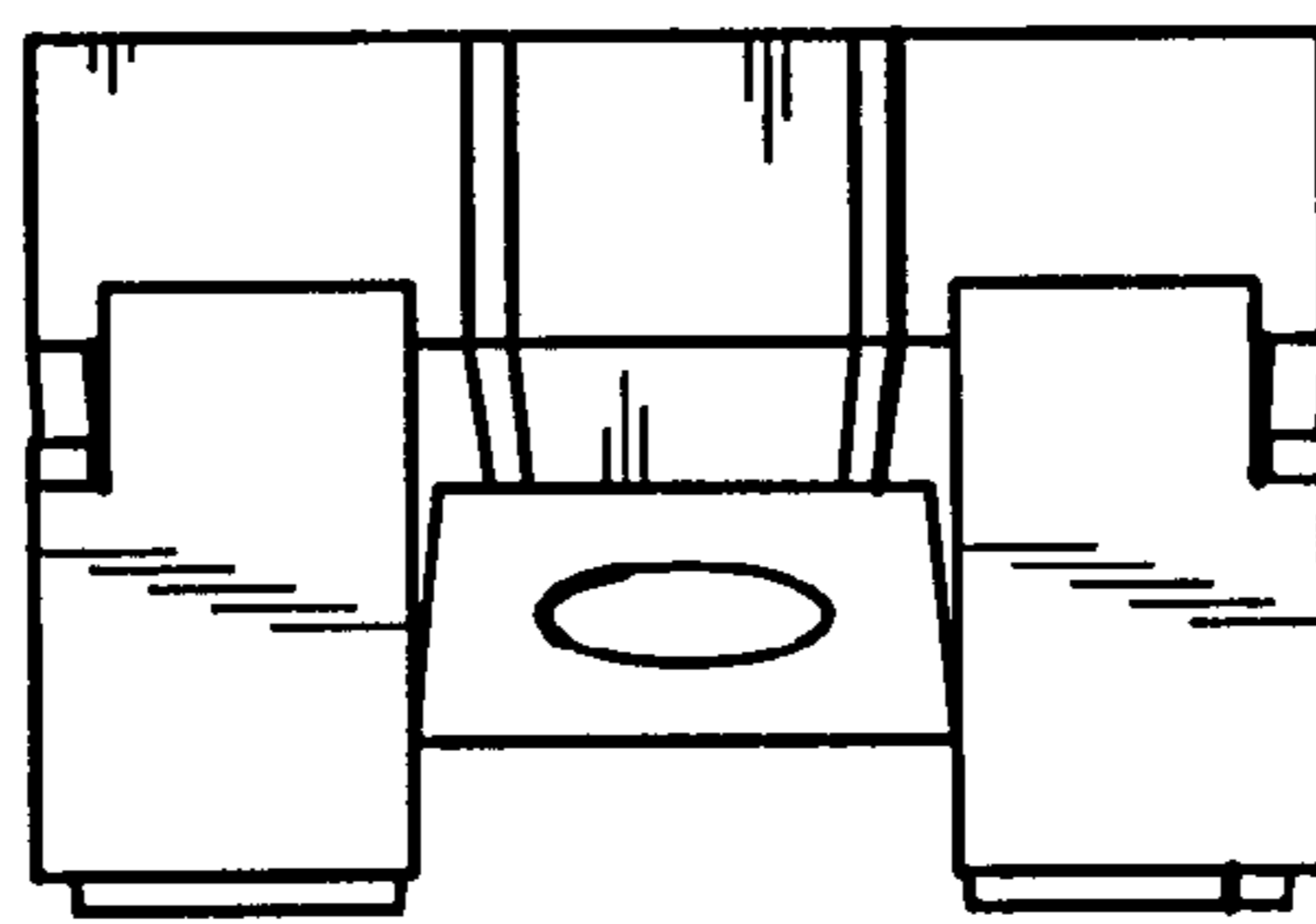


FIG. 6

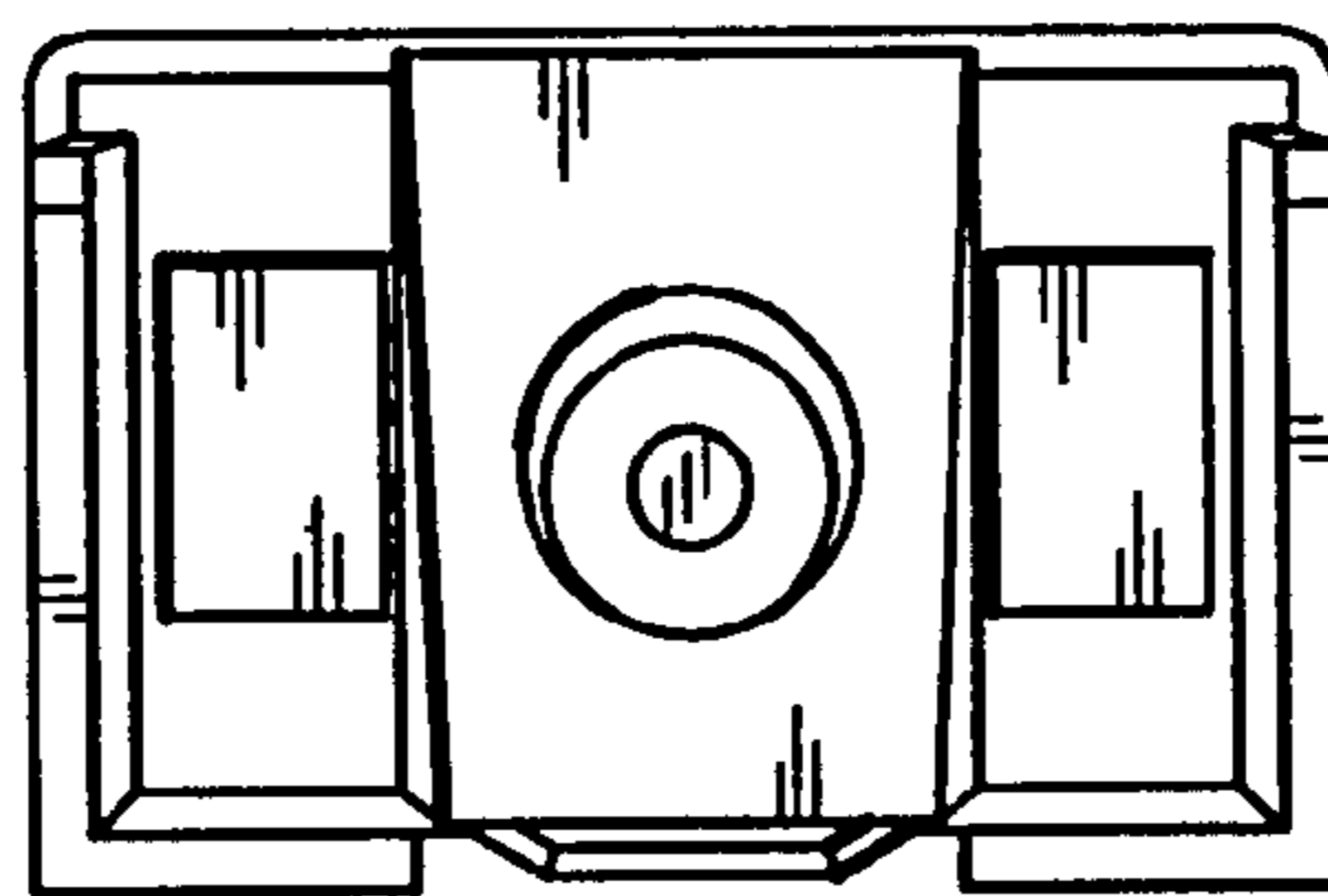


FIG. 7