



US00D565514S

(12) **United States Design Patent** (10) **Patent No.:** **US D565,514 S**
Cho (45) **Date of Patent:** **** Apr. 1, 2008**

(54) **PACKAGE FOR LIGHT EMITTING DIODE**

2002/0149314 A1* 10/2002 Takahashi et al. 313/500
2003/0160256 A1* 8/2003 Durocher et al. 257/88
2007/0029564 A1* 2/2007 Han et al. 257/98

(75) Inventor: **Jae Ho Cho**, Seoul (KR)

(73) Assignee: **Seoul Semiconductor Co. Ltd.**, Seoul (KR)

FOREIGN PATENT DOCUMENTS

JP D1171213 2/2003
KR 30-0147175 6/2006
TW 00555458 9/2003

(**) Term: **14 Years**

* cited by examiner

(21) Appl. No.: **29/262,576**

Primary Examiner—Selina Sikder

(22) Filed: **Jul. 5, 2006**

(74) *Attorney, Agent, or Firm*—Townsend and Townsend and Crew LLP

(51) **LOC (8) Cl.** **13-03**

(52) **U.S. Cl.** **D13/180**

(58) **Field of Classification Search** D13/179;
257/80, 81, 88, 89, 95, 100, 98, 99; 313/483,
313/498, 500; 362/555, 800; D26/2
See application file for complete search history.

(57) **CLAIM**

The ornamental design for package for light emitting diode, as shown and described.

(56) **References Cited**

DESCRIPTION

U.S. PATENT DOCUMENTS

D476,960 S 7/2003 Fukasawa et al.
D491,538 S * 6/2004 Ishida D13/182
D495,668 S * 9/2004 Kim et al. D13/180
D528,999 S * 9/2006 Cho et al. D13/180
D529,452 S * 10/2006 Kim et al. D13/180
D530,684 S * 10/2006 Tzeng D13/180
D531,141 S * 10/2006 Tzeng D13/180
D533,146 S * 12/2006 Wu et al. D13/180
D534,132 S * 12/2006 Yoon D13/180
D541,759 S * 5/2007 Shin et al. D13/180
7,242,035 B2 * 7/2007 Kim et al. 257/99
D548,704 S * 8/2007 Wu et al. D13/180

FIG. 1 is a perspective view of a package for light emitting diode showing my new design;

FIG. 2 is a front elevational view thereof;

FIG. 3 is a rear elevational view thereof;

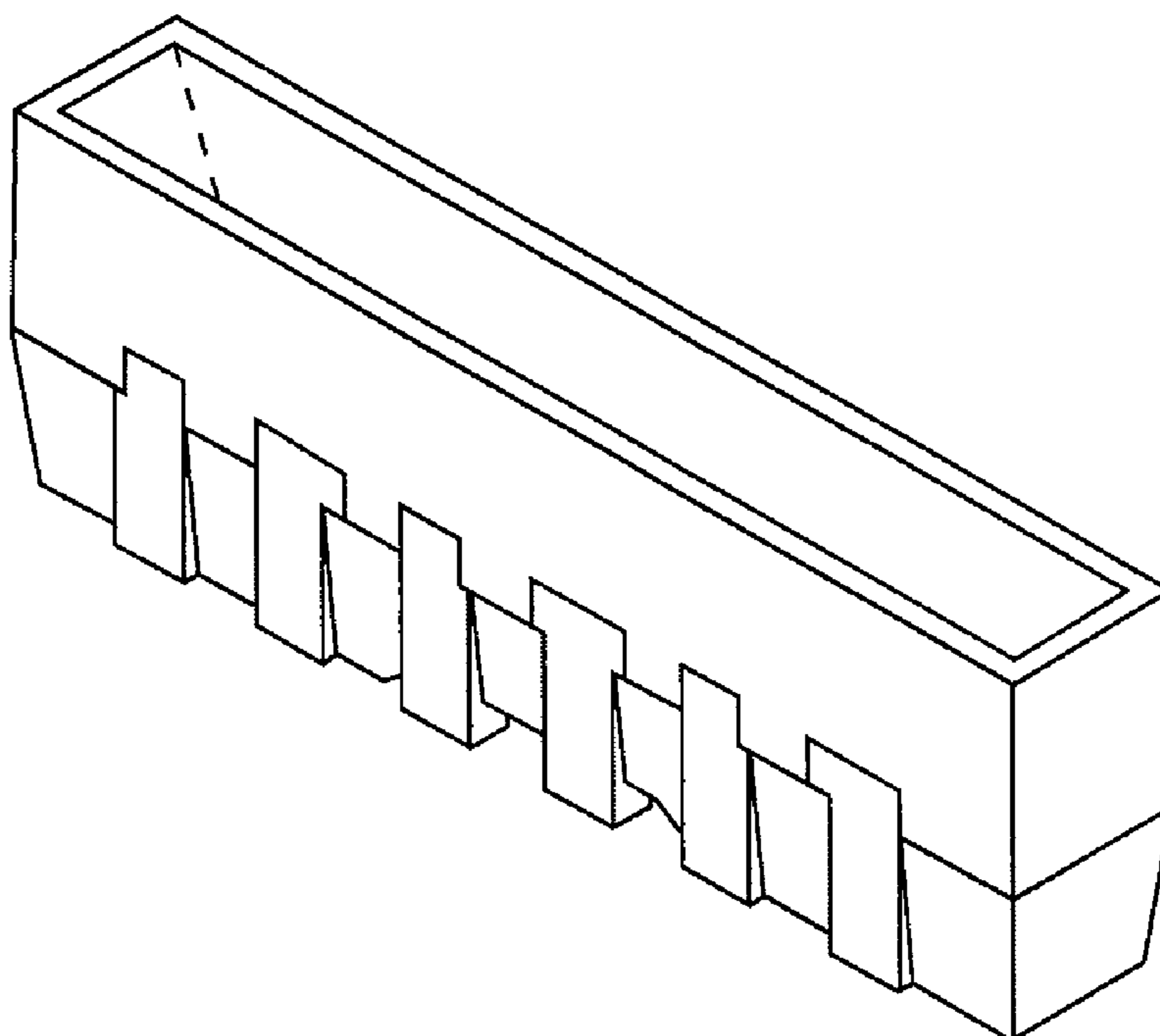
FIG. 4 is a left side elevational view, the right elevational view being a mirror image thereof;

FIG. 5 is a top plan view thereof; and,

FIG. 6 is a bottom plan view thereof.

The broken lines represent unclaimed subject matter.

1 Claim, 3 Drawing Sheets



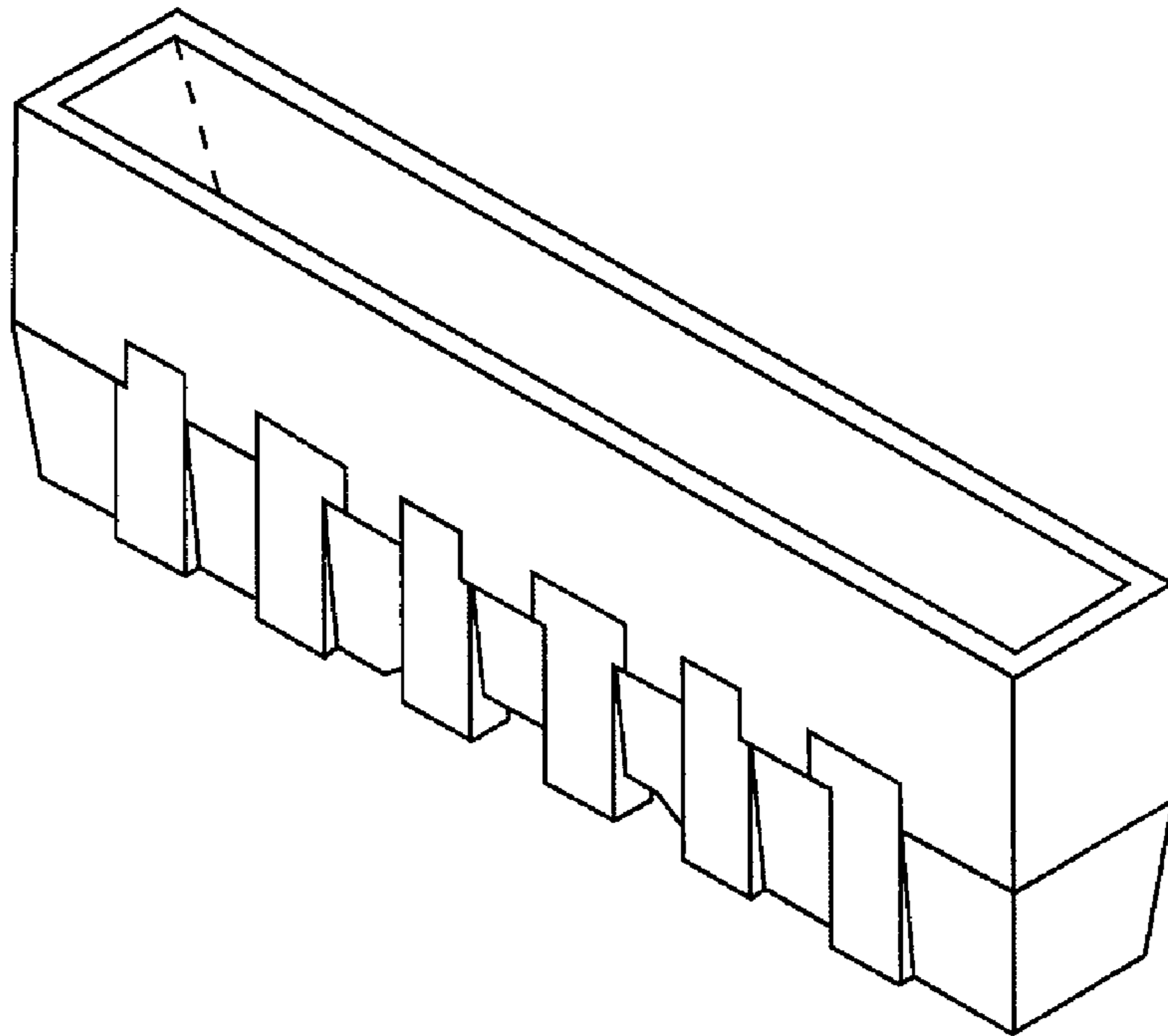


FIG. 1

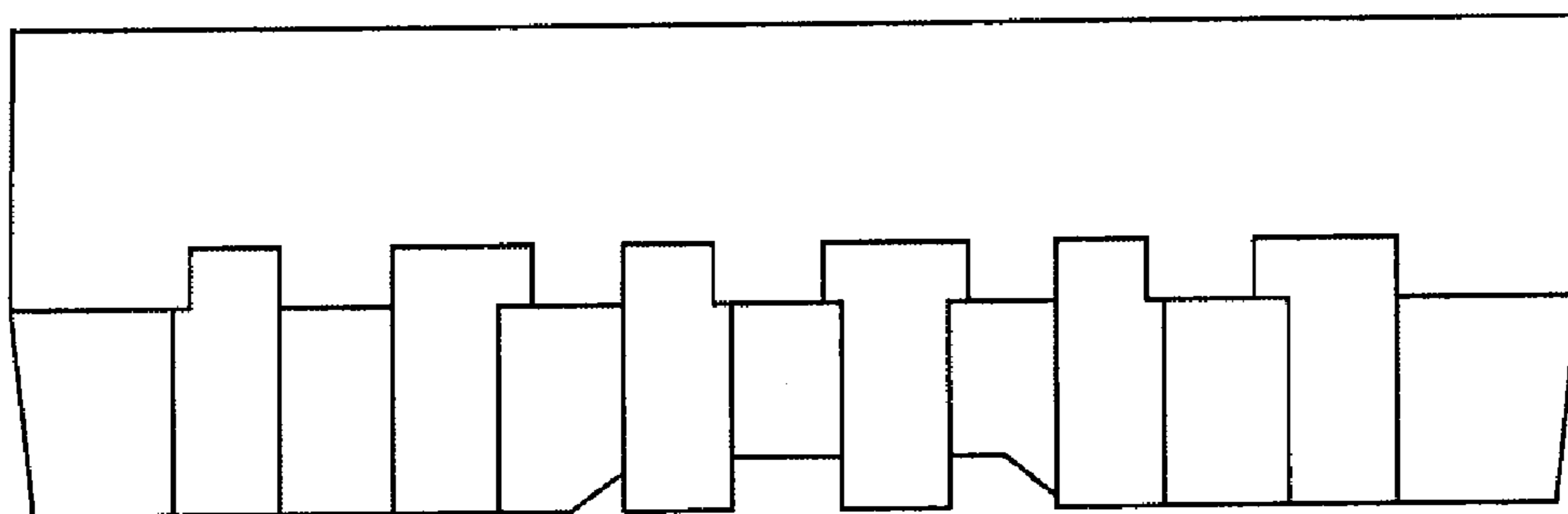


FIG. 2

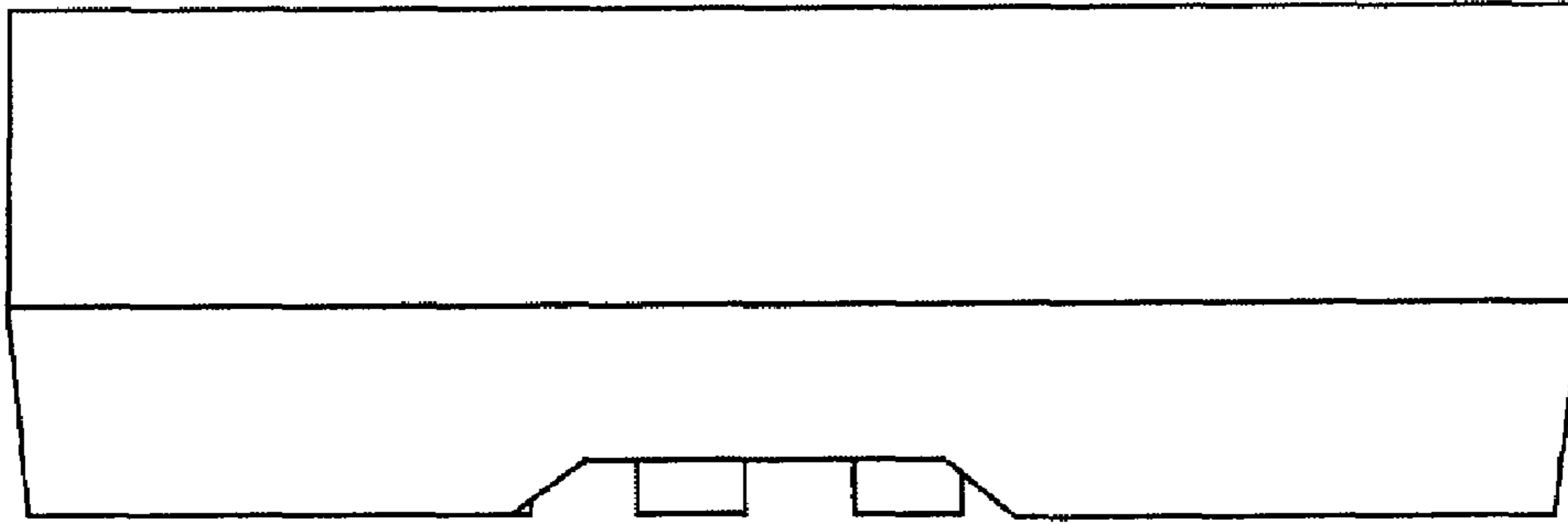


FIG. 3

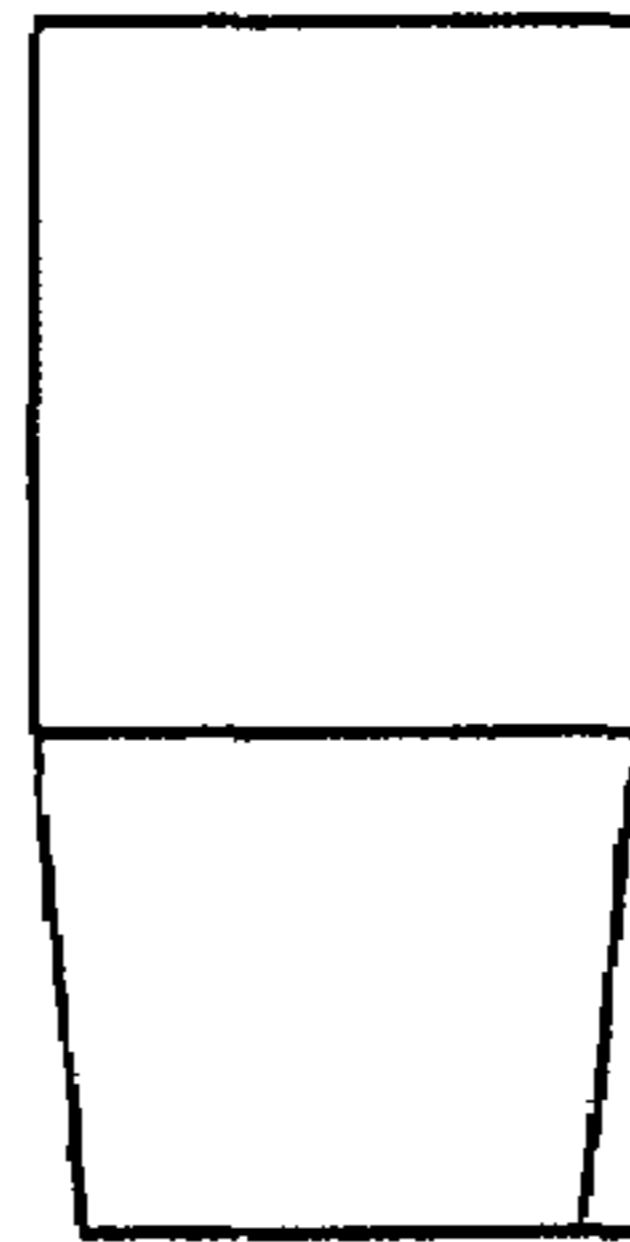


FIG. 4

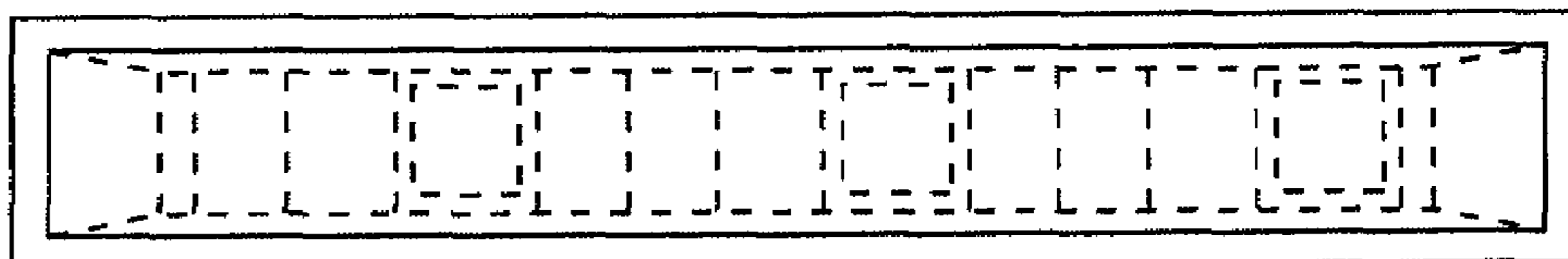


FIG. 5

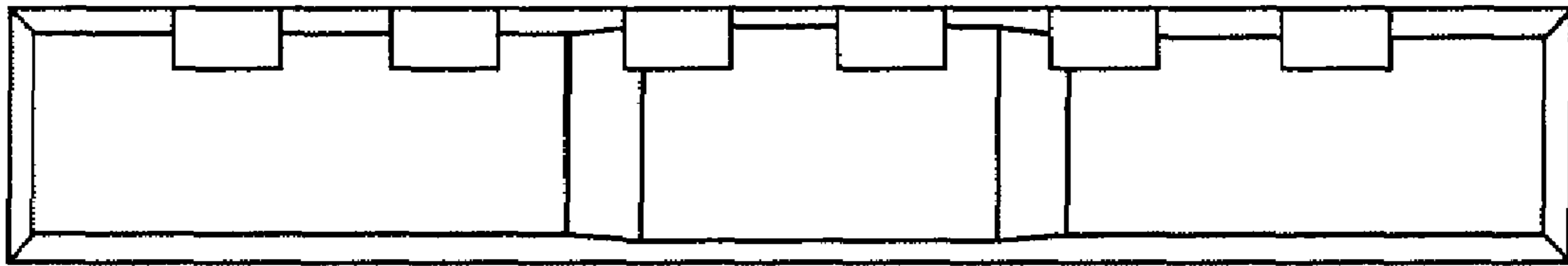


FIG. 6