

US00D565513S

(12) **United States Design Patent** (10) **Patent No.:** **US D565,513 S**
Biondo et al. (45) **Date of Patent:** **** Apr. 1, 2008**

(54) **DIMMER SWITCH**
(75) Inventors: **John V. Biondo**, Van Nuys, CA (US);
Frank Panaro, Van Nuys, CA (US);
Stephen Velte, Tampa, FL (US)

(73) Assignee: **Radiant Controls, LLC**, Tampa, FL (US)

(**) Term: **14 Years**

(21) Appl. No.: **29/251,676**

(22) Filed: **Jan. 11, 2006**

(51) **LOC (8) Cl.** **13-03**

(52) **U.S. Cl.** **D13/174**

(58) **Field of Classification Search** D13/125,
D13/158-177; 174/152 S; D8/353; D9/455
See application file for complete search history.

(56) **References Cited**

U.S. PATENT DOCUMENTS

1,673,677 A * 6/1928 Holland 429/175
2,350,475 A * 6/1944 Rabazzana 174/152 S
D254,849 S * 4/1980 Matsuda D13/171
D318,428 S * 7/1991 Kowk D9/455
5,141,448 A * 8/1992 Mattingly et al. 439/314

D336,744 S * 6/1993 Kahn et al. D13/171
D351,099 S * 10/1994 Flasz D8/353
D364,141 S * 11/1995 Hanna et al. D13/125
D477,575 S * 7/2003 Mayo et al. D13/171
D516,040 S * 2/2006 Moye D13/162
D538,758 S * 3/2007 Lemaire D13/169
D546,775 S * 7/2007 Mayo et al. D13/162

* cited by examiner

Primary Examiner—Daniel Bui
Assistant Examiner—Thomas J Johannes
(74) *Attorney, Agent, or Firm*—Fowler White Boggs Banker P.A.; Christopher Paradies

(57) **CLAIM**

The ornamental design for a dimmer switch, as shown and described.

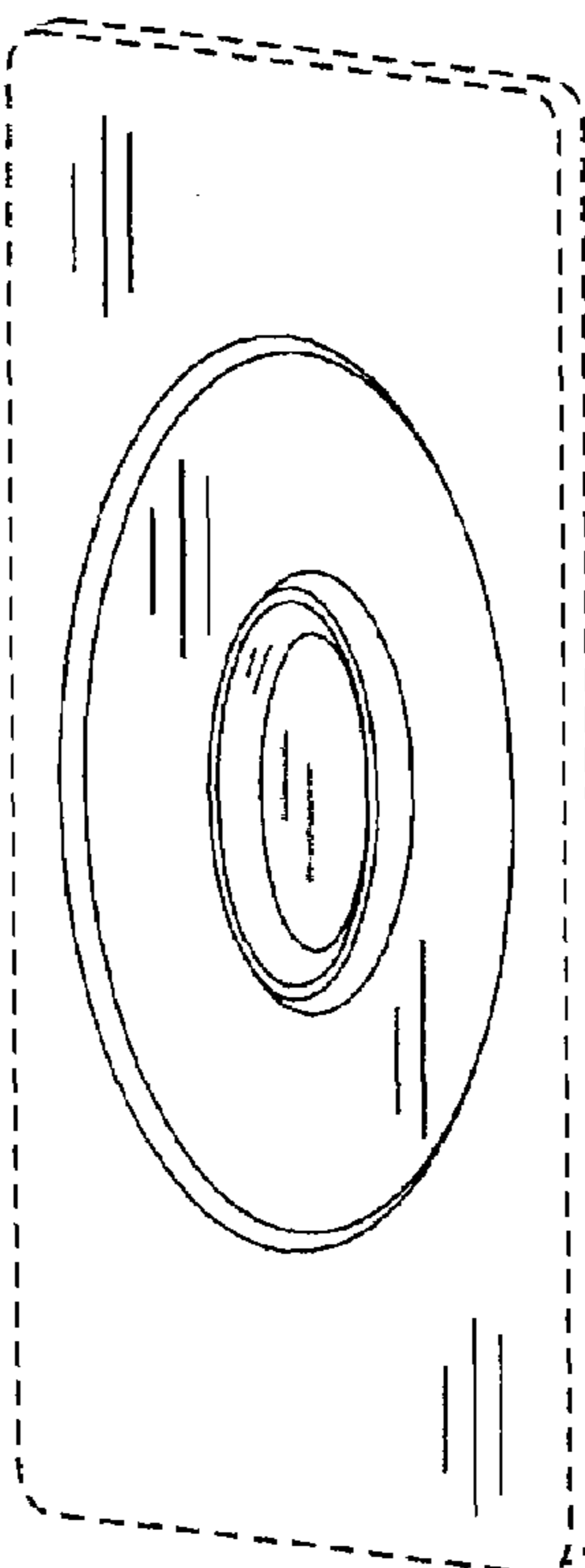
DESCRIPTION

FIG. 1 is a front elevation view of a dimmer switch, showing our new design; and,

FIG. 2 is a perspective view thereof.

The broken line showing in the figure drawings is included for the purpose of illustrating environmental detail and forms no part of the claimed design.

1 Claim, 2 Drawing Sheets



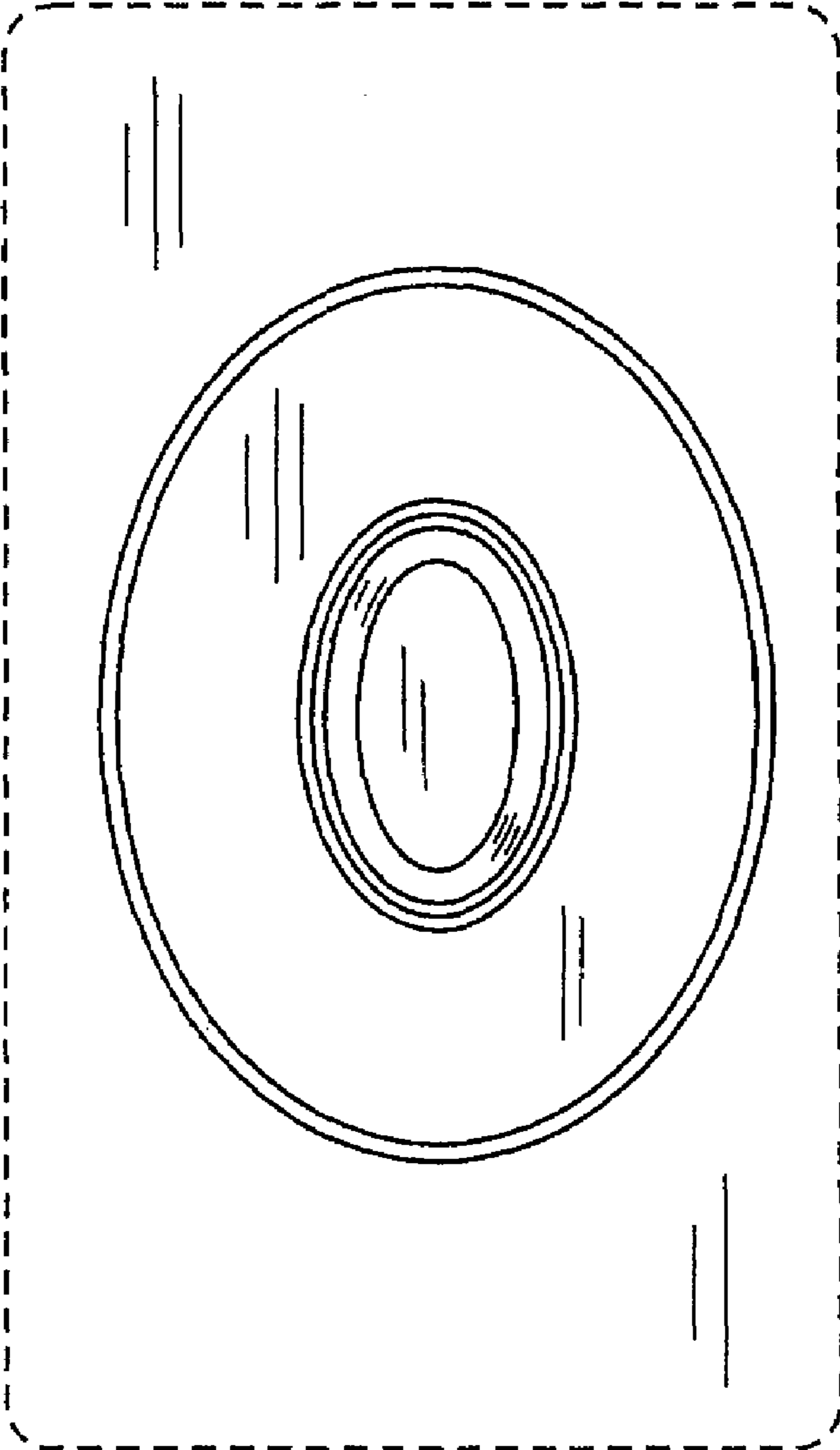


FIGURE 1

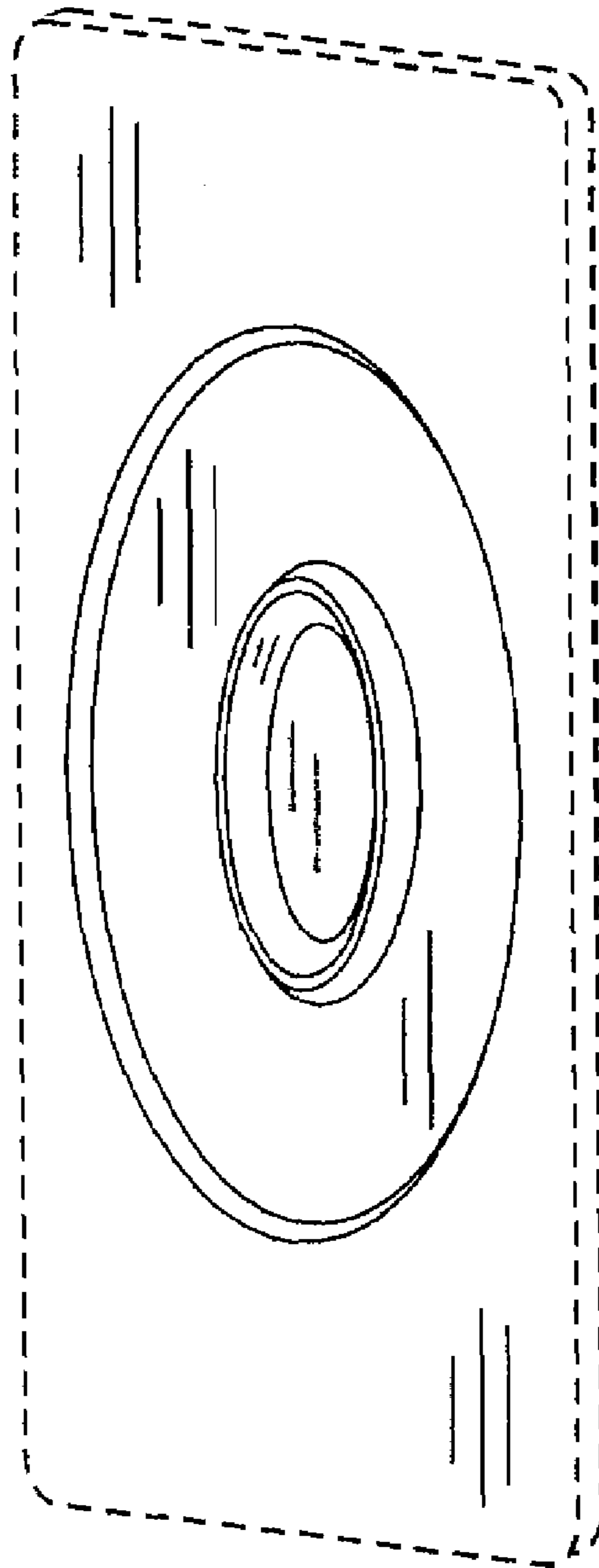


FIGURE 2