

US00D565512S

(12) **United States Design Patent**
Hörmann

(10) **Patent No.:** **US D565,512 S**

(45) **Date of Patent:** **** Apr. 1, 2008**

(54) **LIGHT BARRIER FOR GATES**

(75) Inventor: **Michael Hörmann**, Halle (DE)

(73) Assignee: **Marantec Antriebs-und
Steuerungstechnik GmbH & Co KG**,
Marienfeld (DE)

(**) Term: **14 Years**

(21) Appl. No.: **29/285,389**

(22) Filed: **Mar. 28, 2007**

(30) **Foreign Application Priority Data**

Sep. 28, 2006 (DE) 4 06 05 125

(51) **LOC (8) Cl.** **13-03**

(52) **U.S. Cl.** **D13/165**

(58) **Field of Classification Search** D13/110,
D13/123, 147, 151, 158-177, 184; 345/156,
345/168, 169; 348/734; 455/92, 95, 128,
455/151, 325-355; 463/39; 700/17, 19,
700/20, 281; D10/108, 116, 118, 104; D8/353,
D8/330, 346

See application file for complete search history.

(56) **References Cited**

U.S. PATENT DOCUMENTS

- D322,776 S * 12/1991 DiCarlo, Jr. D13/165
- D361,057 S * 8/1995 Fayfield D13/165
- D369,348 S * 4/1996 Hu D13/165
- D373,759 S * 9/1996 Tanaka et al. D13/165
- D401,562 S * 11/1998 Brass et al. D13/165
- D401,564 S * 11/1998 La Police D13/165
- D401,910 S * 12/1998 Fooks et al. D13/165

- D412,316 S * 7/1999 Fayfield D13/165
- D421,422 S * 3/2000 La Police D13/165
- D470,462 S * 2/2003 Fayfield et al. D13/165
- D471,162 S * 3/2003 Fayfield D13/165
- D516,043 S * 2/2006 Jacoby et al. D13/165

* cited by examiner

Primary Examiner—Selina Sikder

Assistant Examiner—Thomas J Johannes

(74) *Attorney, Agent, or Firm*—Carter, DeLuca, Farrell &
Schmidt, LLP

(57) **CLAIM**

The ornamental design for a light barrier for gates, as shown
and described.

DESCRIPTION

FIG. 1 is a front perspective view of a new design for a light
barrier for gates design;

FIG. 2 is a rear perspective view thereof;

FIG. 3 is a front elevation view thereof;

FIG. 4 is a rear elevation view thereof;

FIG. 5 is a top plan view thereof;

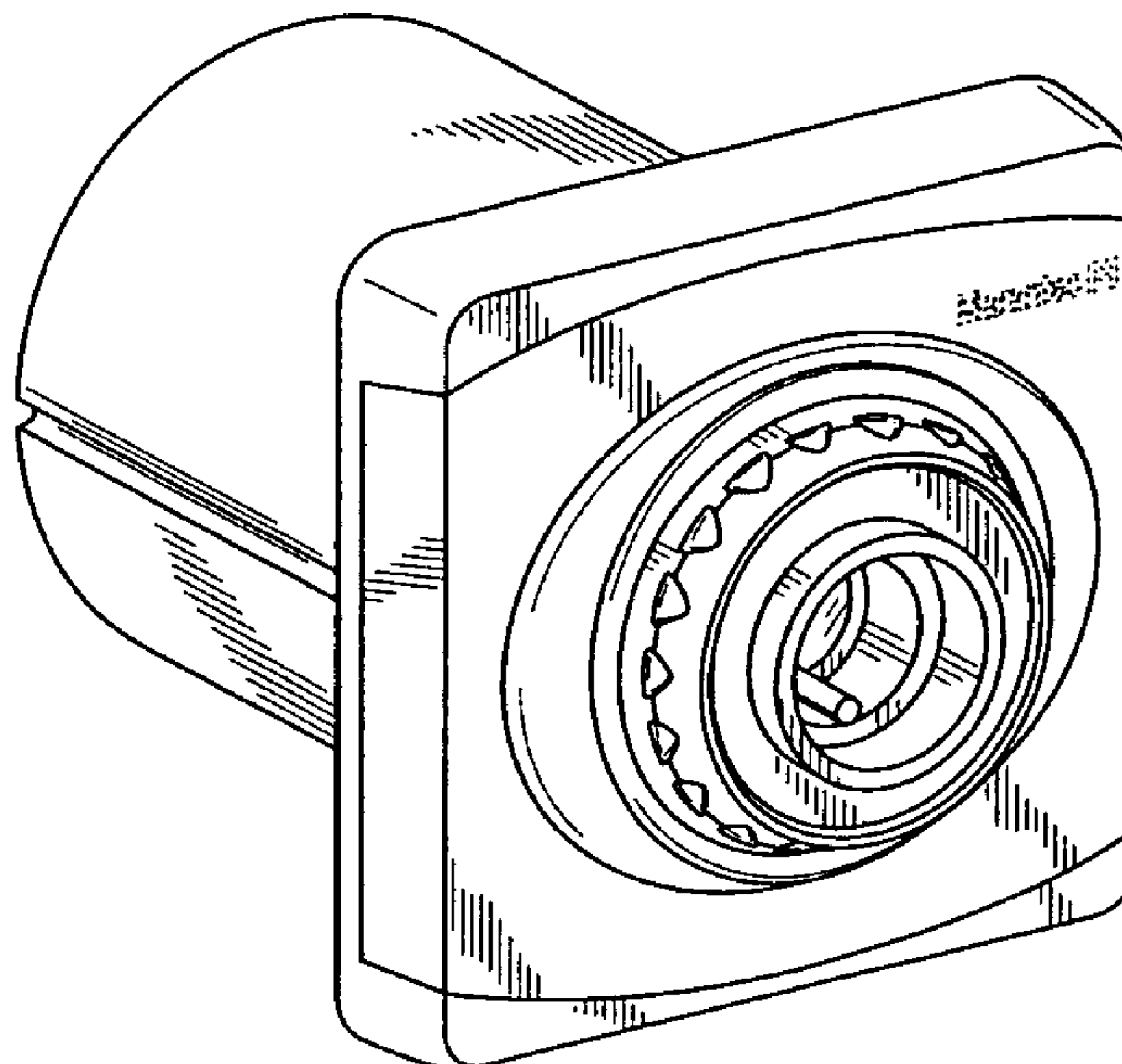
FIG. 6 is a bottom plan view thereof;

FIG. 7 is left elevation view thereof; and,

FIG. 8 is a right elevation view thereof.

The phantom lines showing indicia on the front of the light
barrier for gates are included for the purpose of illustrating
portions of the light barrier for gates and form no part of the
claimed design.

1 Claim, 4 Drawing Sheets



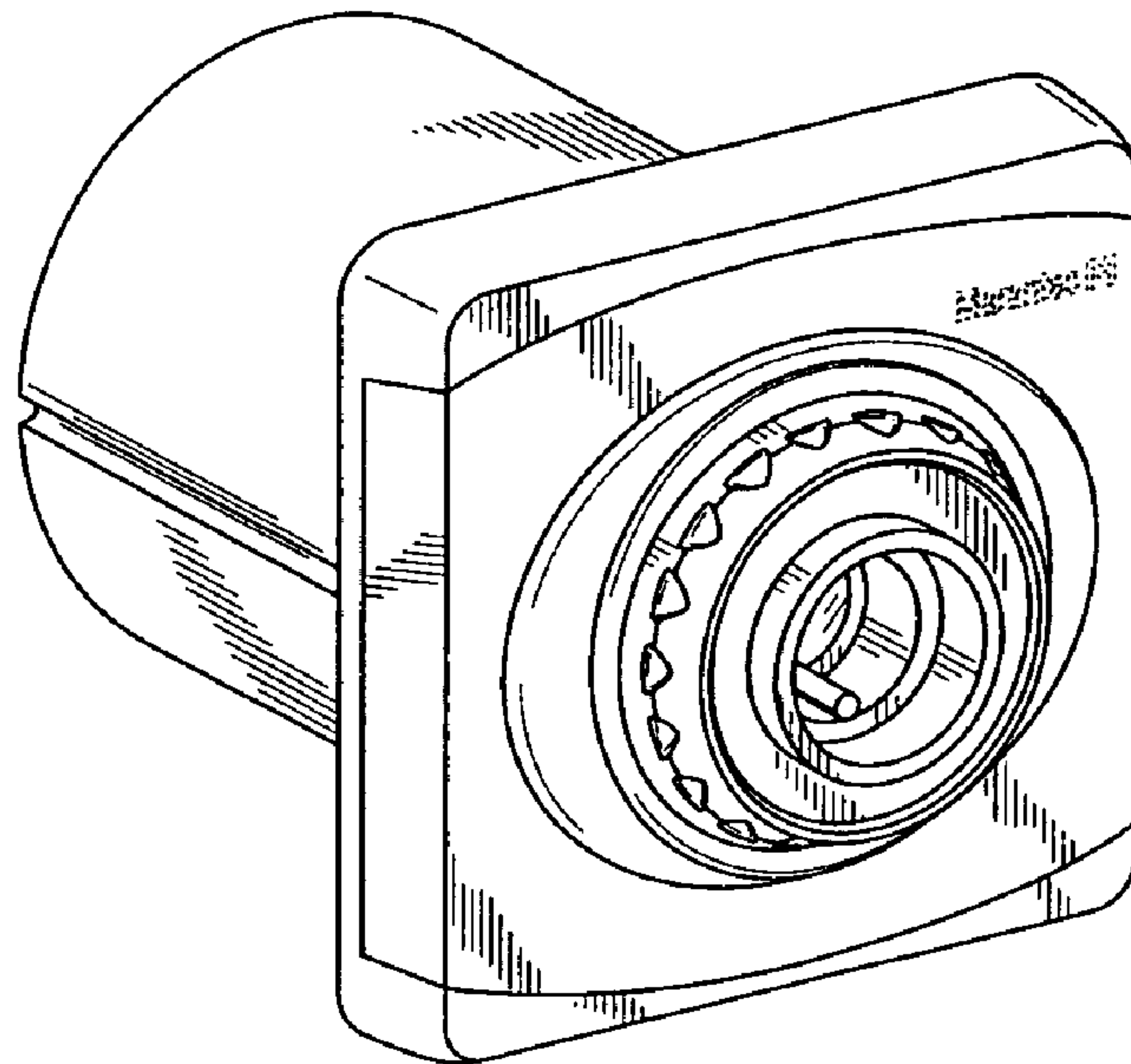


FIG. 1

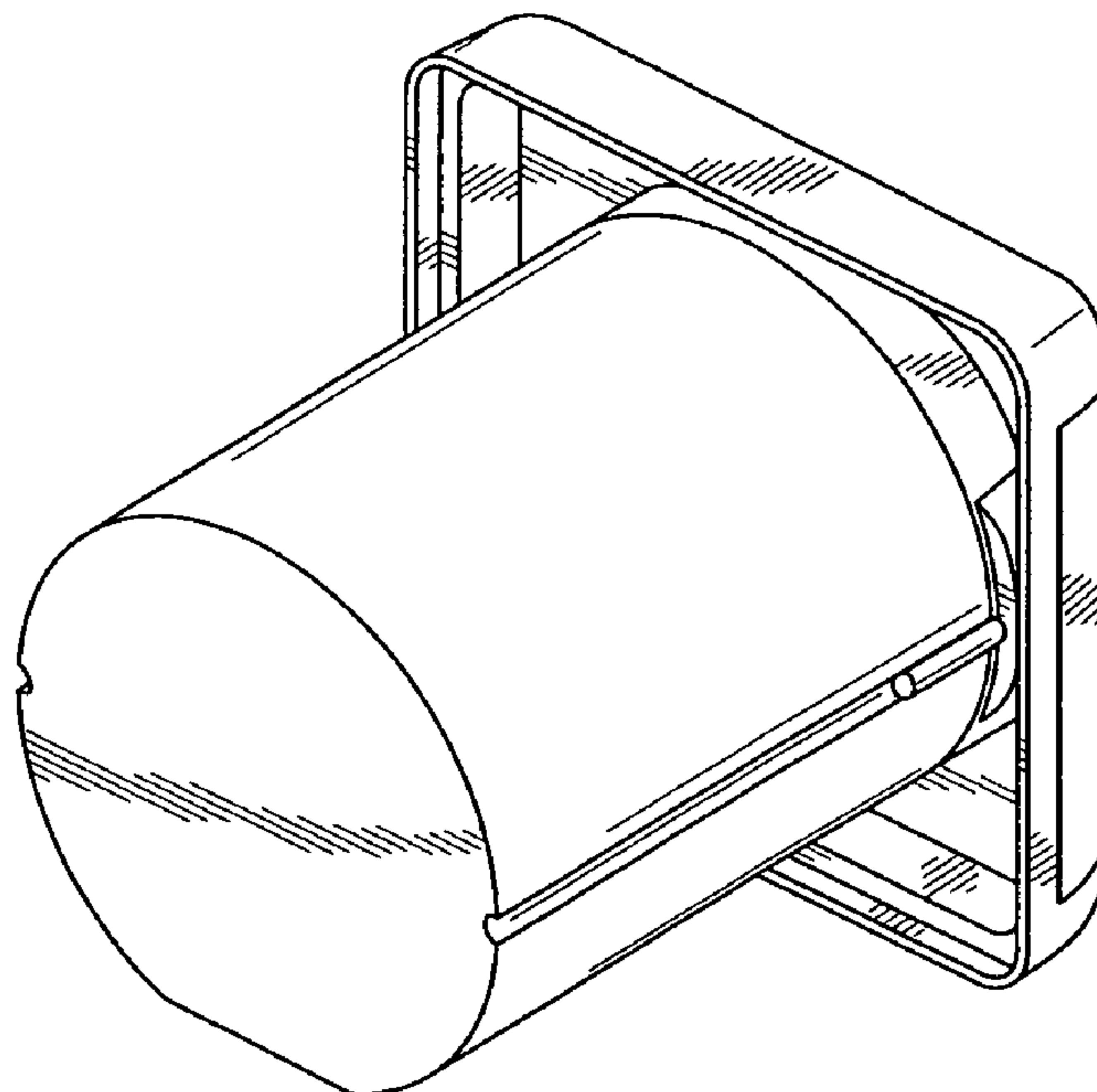


FIG. 2

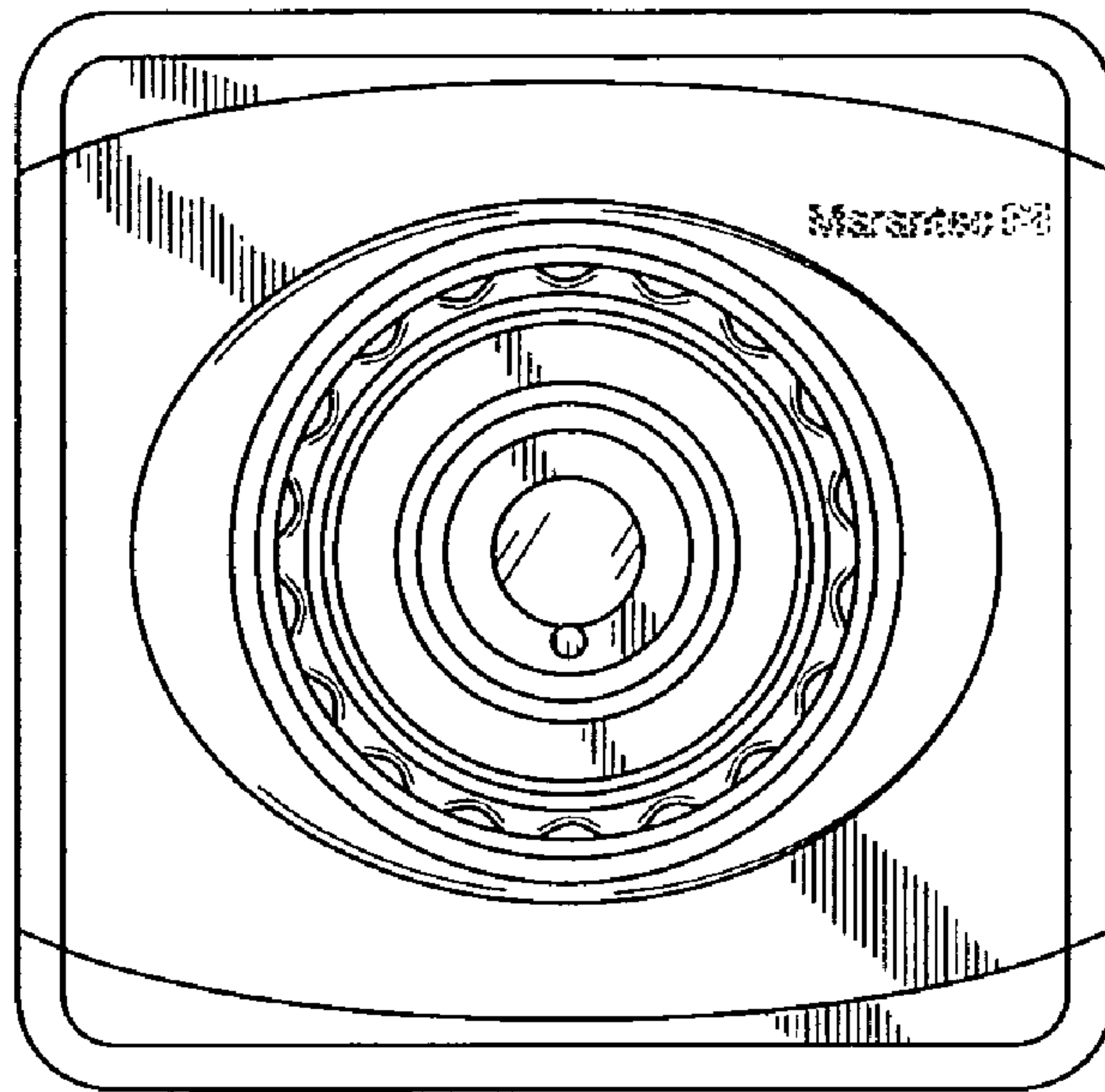


FIG. 3

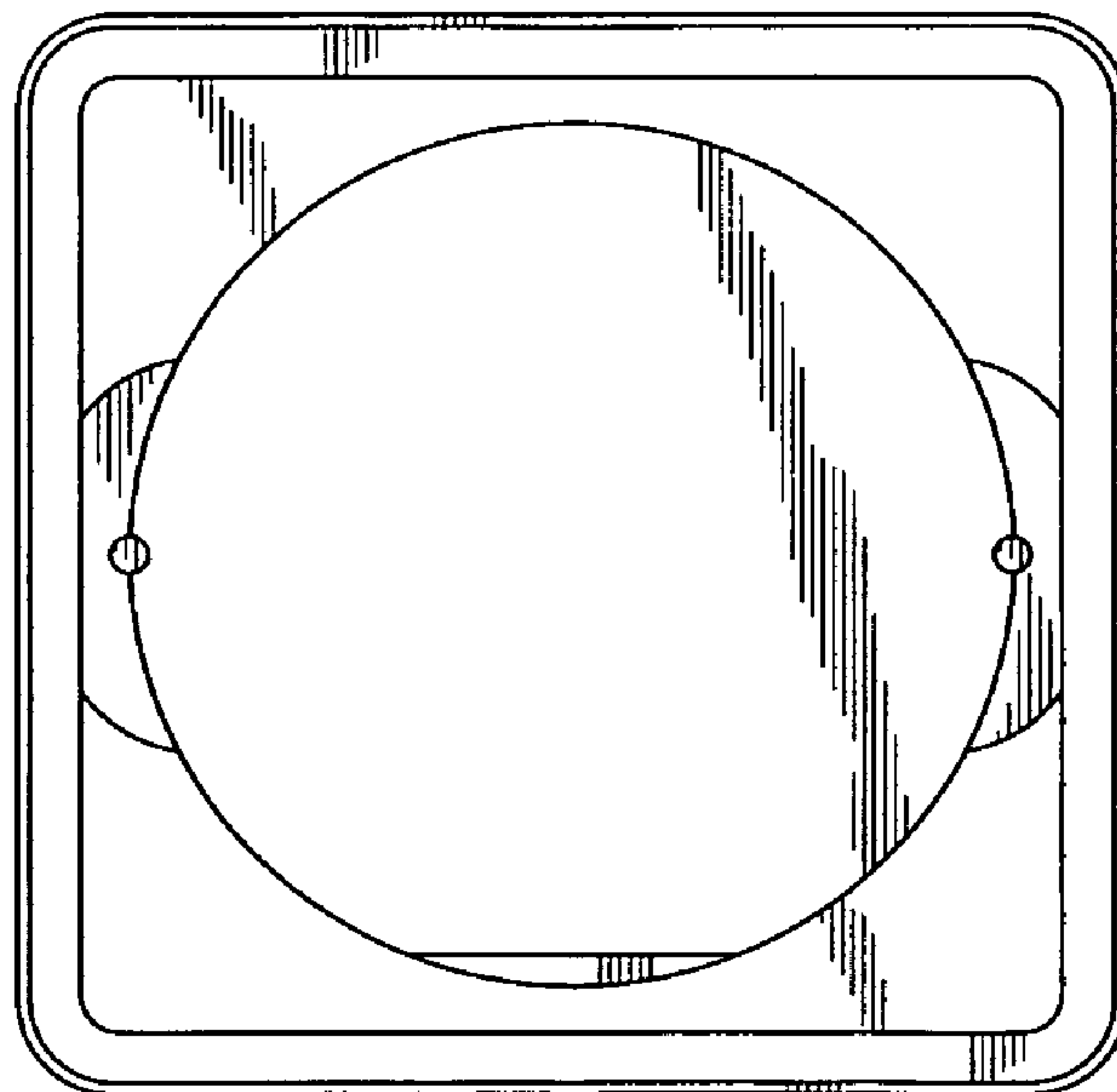


FIG. 4

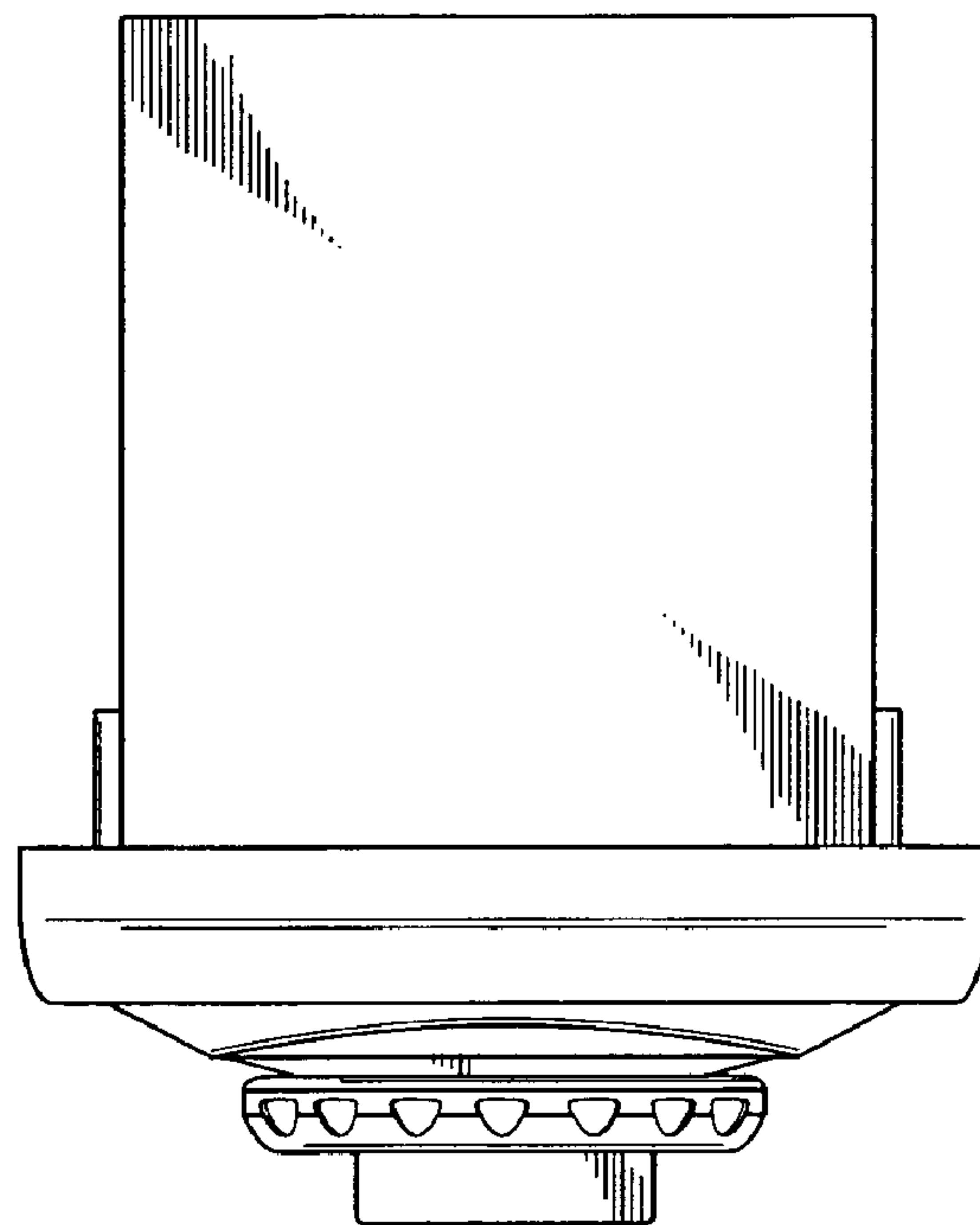


FIG. 5

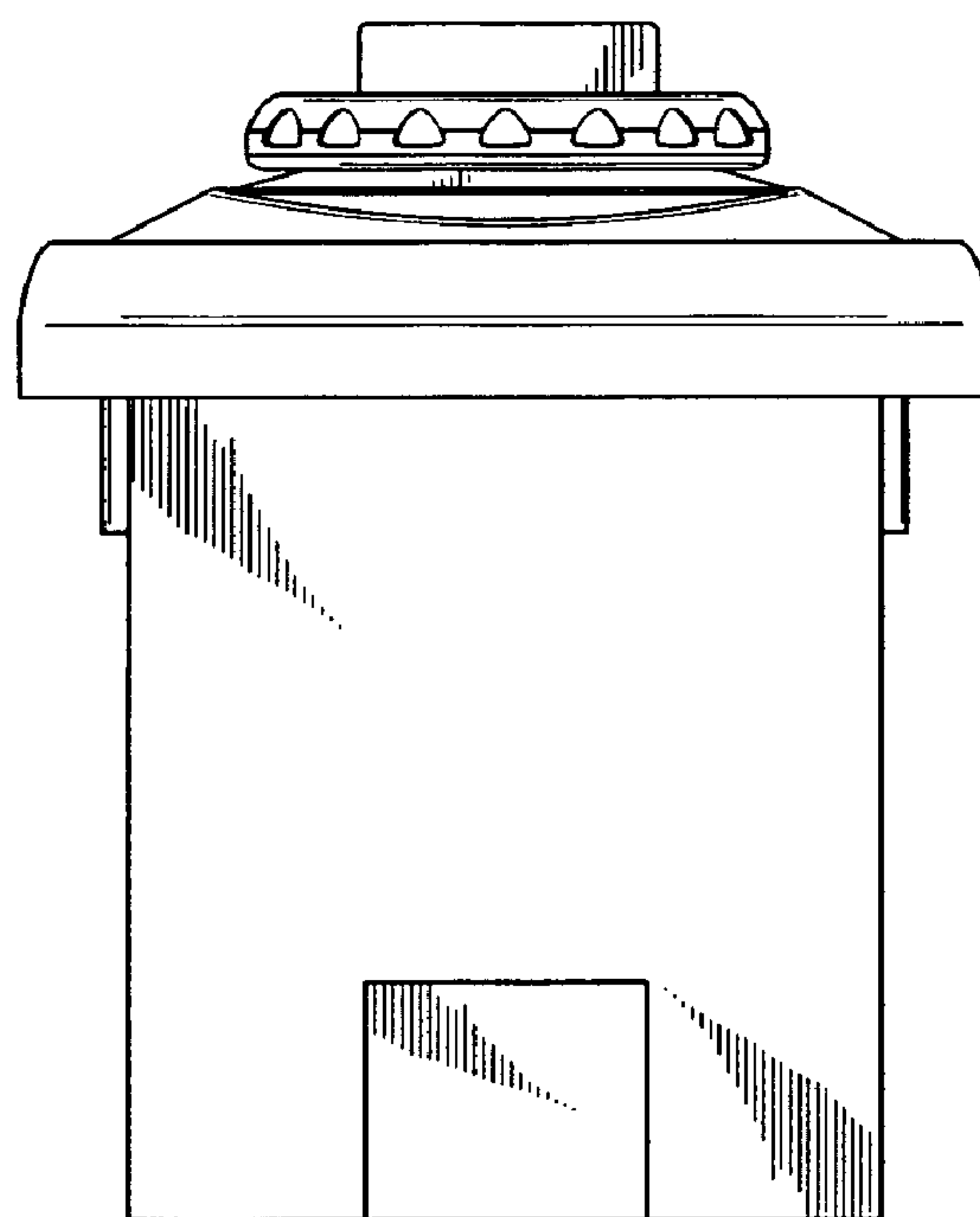


FIG. 6

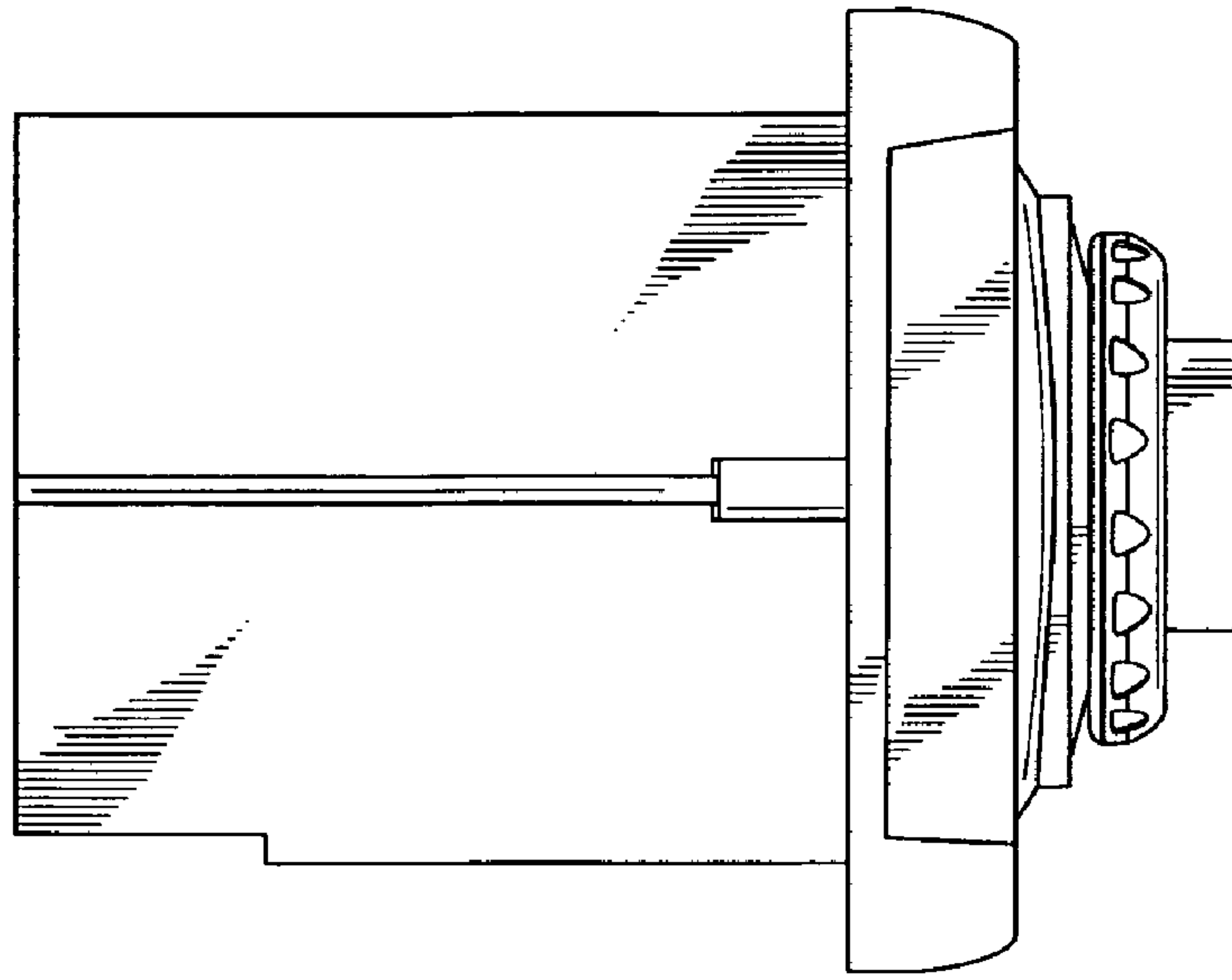


FIG. 7

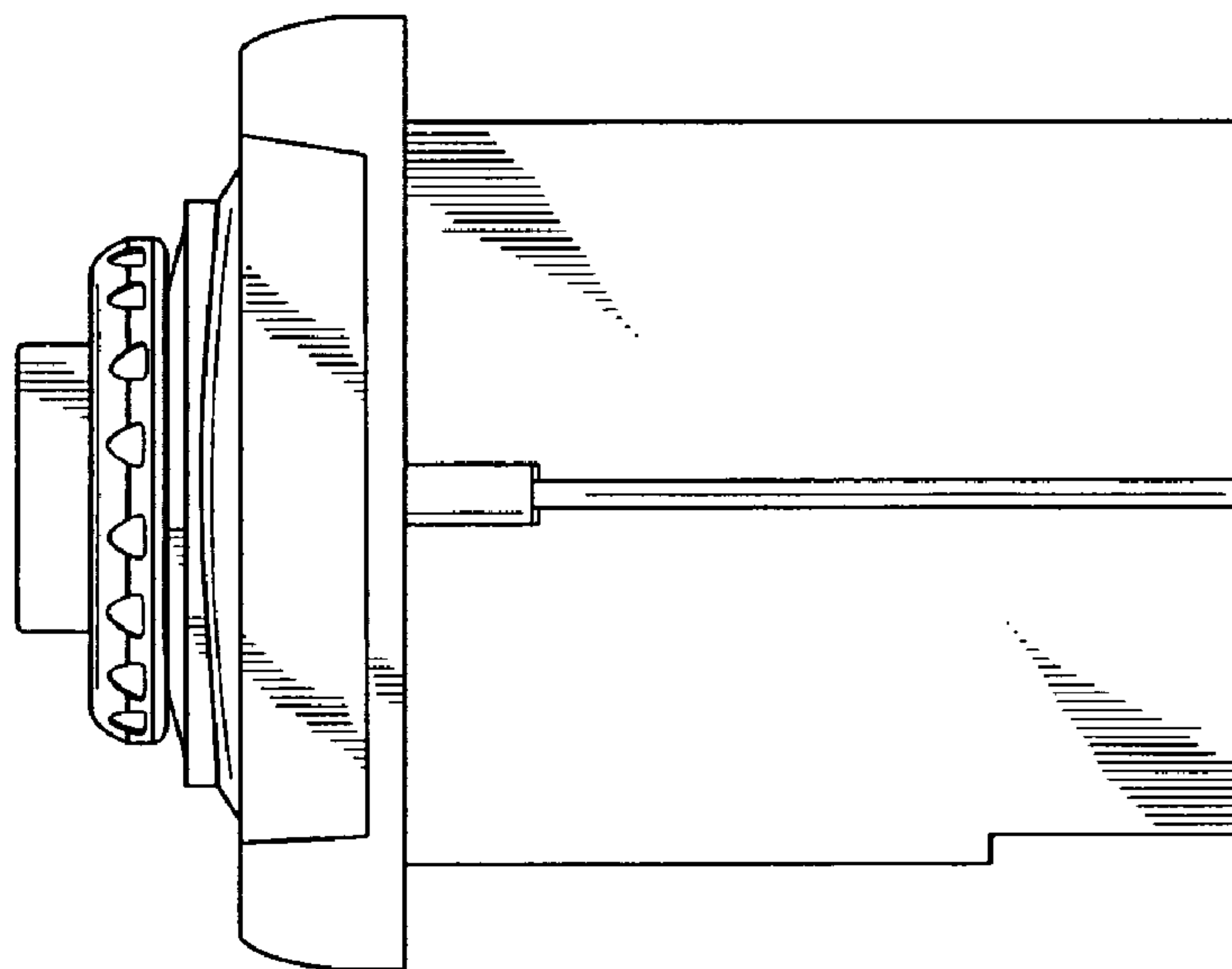


FIG. 8