



US00D565510S

(12) **United States Design Patent**
Ma

(10) **Patent No.:** **US D565,510 S**

(45) **Date of Patent:** **** Apr. 1, 2008**

(54) **ELECTRICAL CONNECTOR**

(75) Inventor: **Wen-Qiang Ma**, ShenZhen (CN)

(73) Assignee: **Hon Hai Precision Ind. Co., Ltd.**,
Taipei Hsien (TW)

(**) Term: **14 Years**

(21) Appl. No.: **29/286,880**

(22) Filed: **May 21, 2007**

(30) **Foreign Application Priority Data**

Nov. 21, 2006 (CN) 2006 3 0192983

(51) **LOC (8) Cl.** **13-03**

(52) **U.S. Cl.** **D13/147**

(58) **Field of Classification Search** D13/133,
D13/146-147, 154, 184; D14/432-434,
D14/436, 438; D16/200; 439/64, 79, 159-160,
439/607-610, 629-630, 636, 660
See application file for complete search history.

(56) **References Cited**

U.S. PATENT DOCUMENTS

D524,246 S * 7/2006 Wang et al. D13/147
D531,122 S * 10/2006 Asai et al. D13/147

D538,747 S * 3/2007 Yang et al. D13/147
D539,223 S * 3/2007 Nishio et al. D13/147
D539,224 S * 3/2007 Nishio et al. D13/147
D539,745 S * 4/2007 Nishio et al. D13/147
D539,749 S * 4/2007 Yang D13/147
D540,260 S * 4/2007 Yang D13/147

* cited by examiner

Primary Examiner—Daniel Bui
(74) *Attorney, Agent, or Firm*—Wei Te Chung

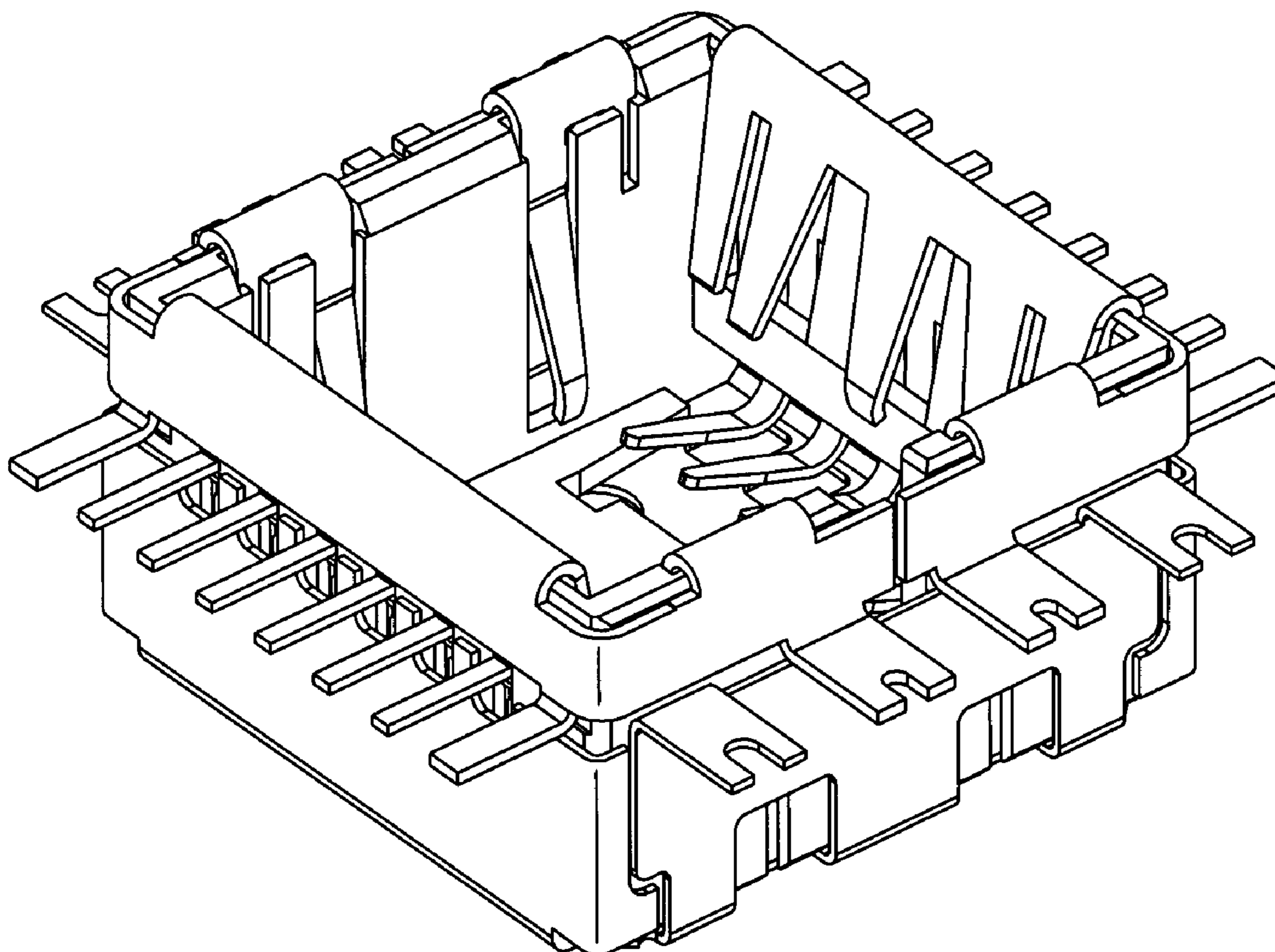
(57) **CLAIM**

The ornamental design for an electrical connector, as shown.

DESCRIPTION

FIG. 1 is a perspective view of an electrical connector showing my new design;
FIG. 2 is a front elevational view of FIG. 1;
FIG. 3 is a rear elevational view of FIG. 1;
FIG. 4 is a left side elevational view of FIG. 1;
FIG. 5 is a right side elevational view of FIG. 1;
FIG. 6 is a top plan view of FIG. 1; and,
FIG. 7 is a bottom plan view of FIG. 1.

1 Claim, 7 Drawing Sheets



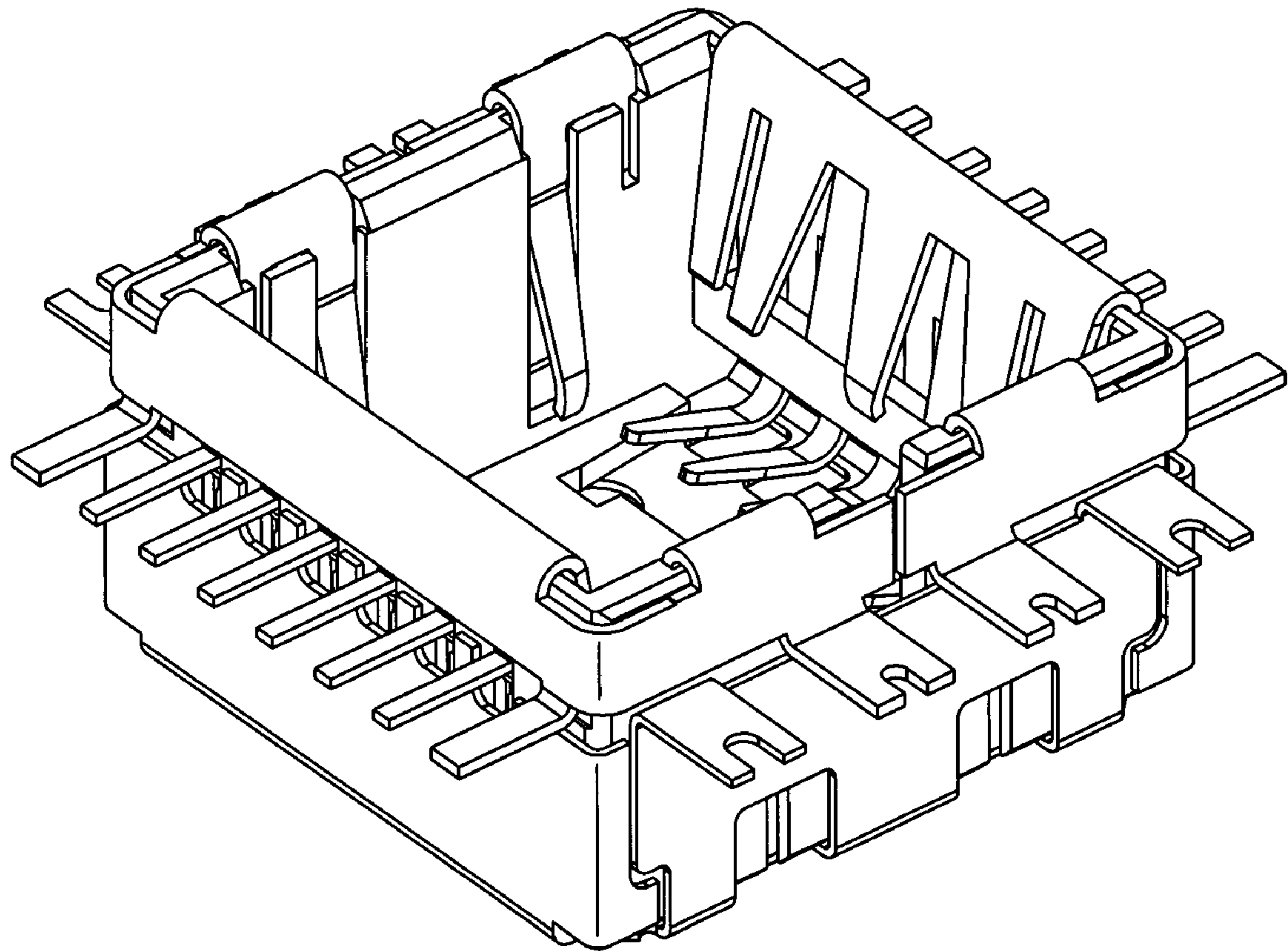


FIG. 1

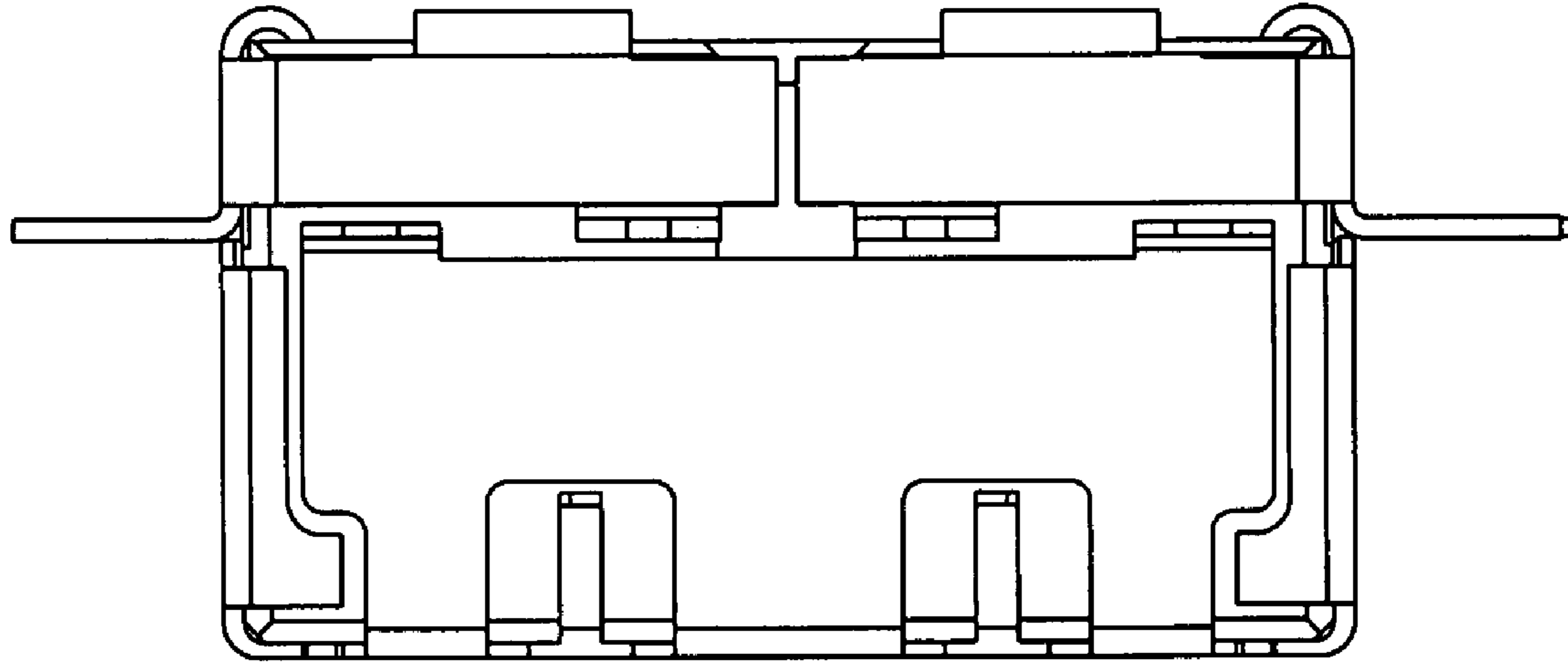


FIG. 2

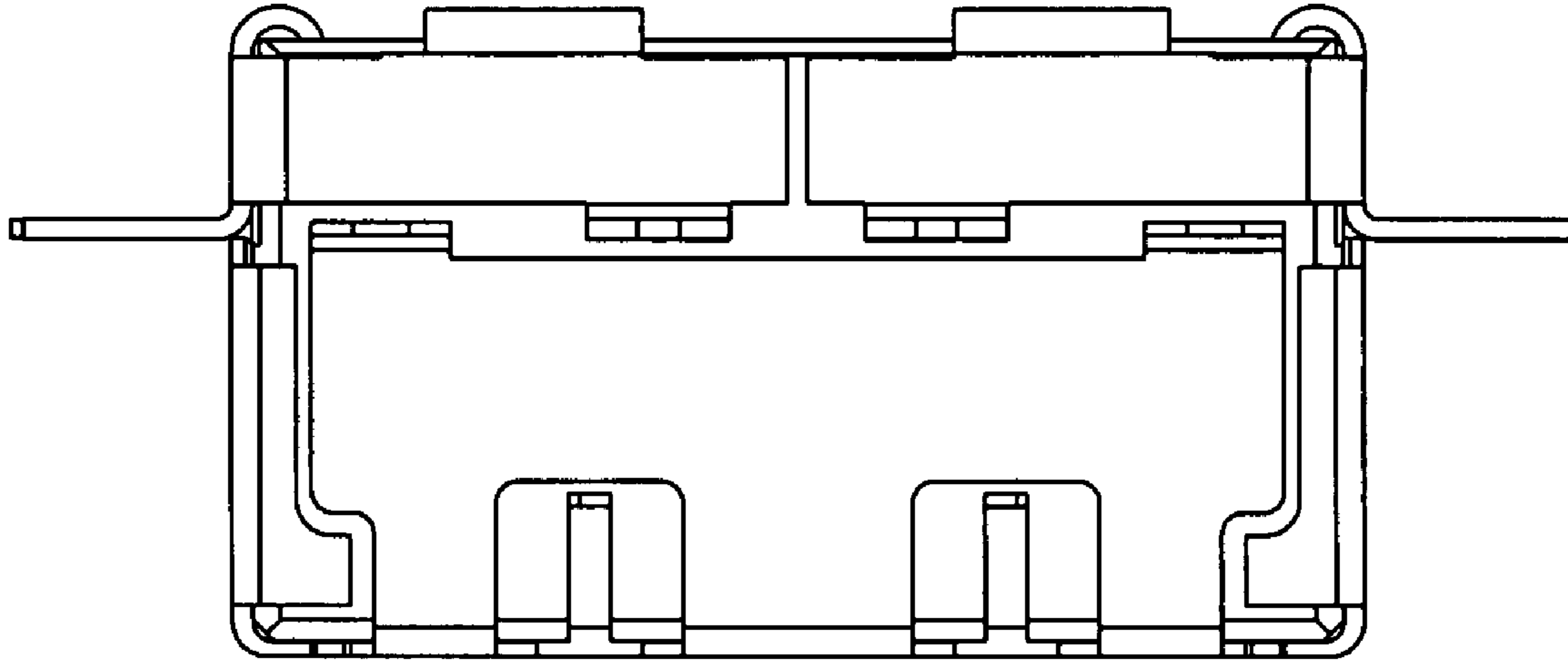


FIG. 3

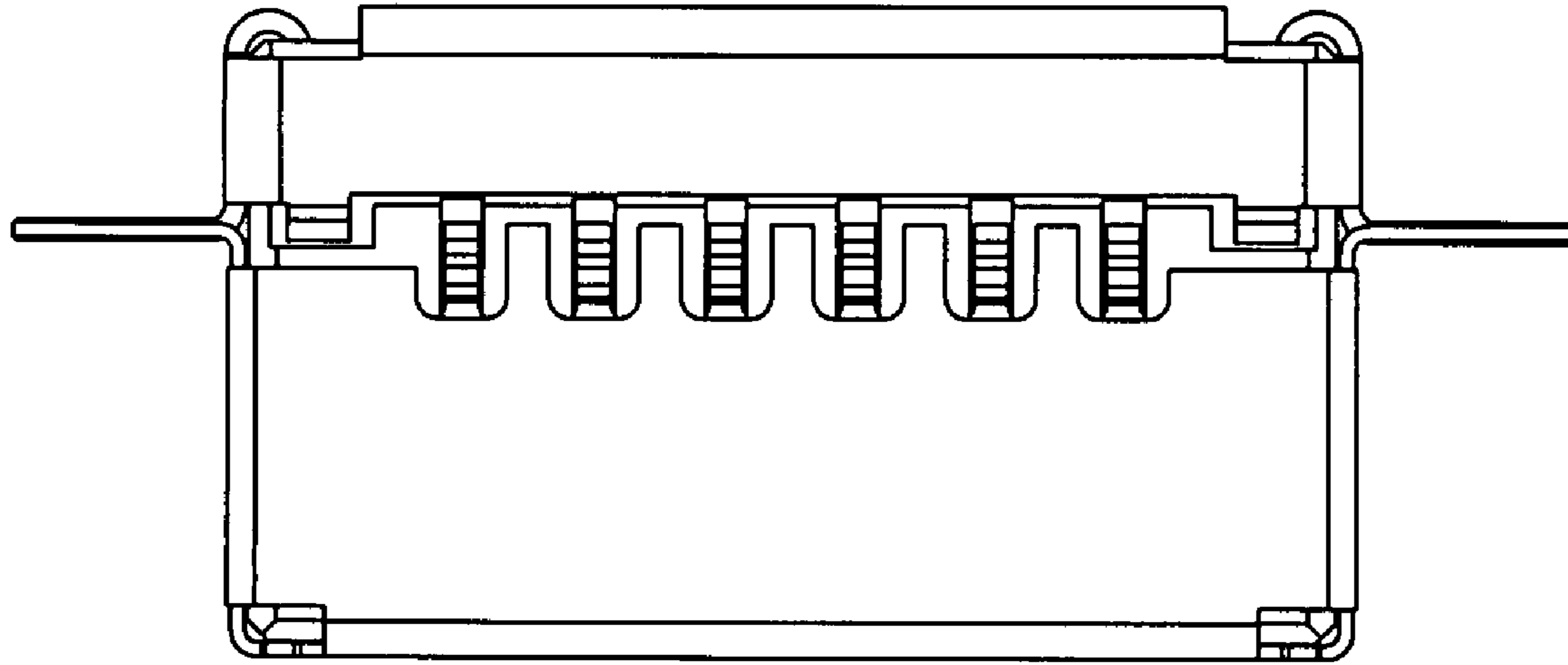


FIG. 4

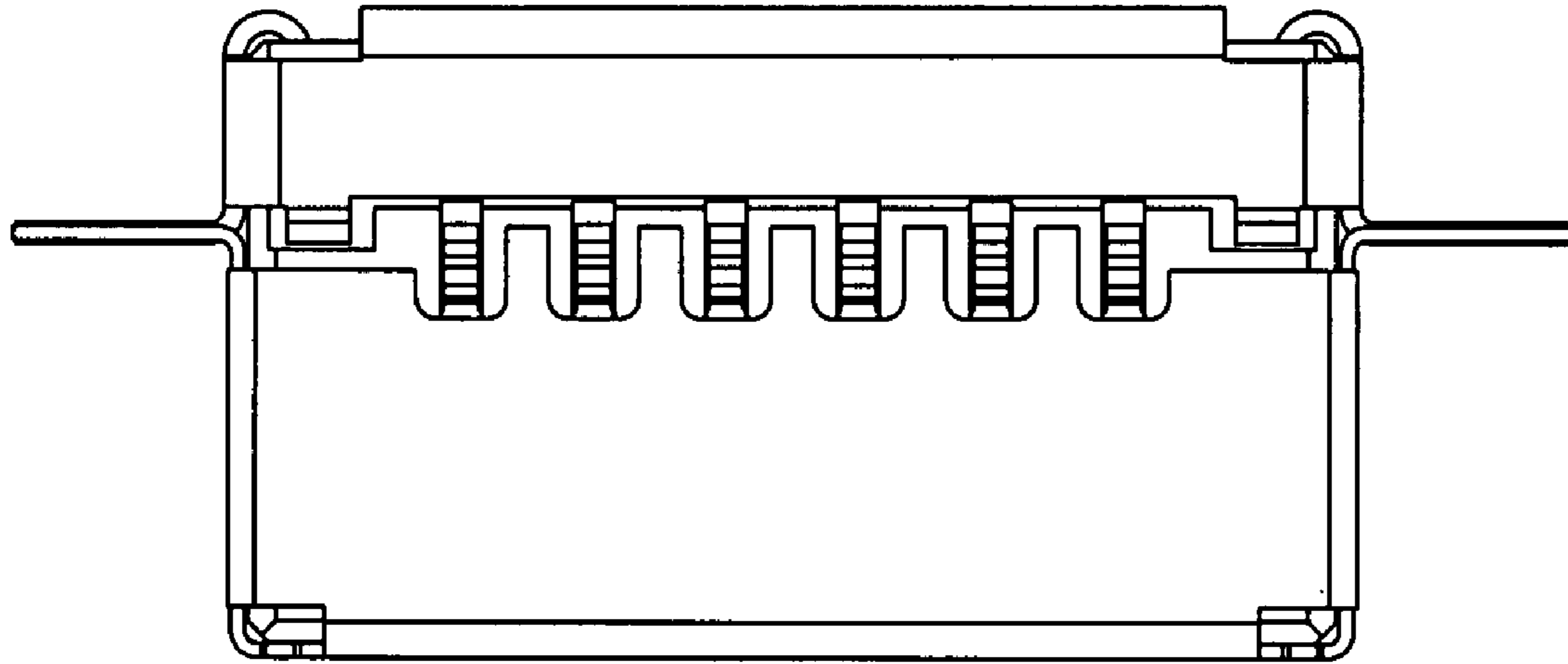


FIG. 5

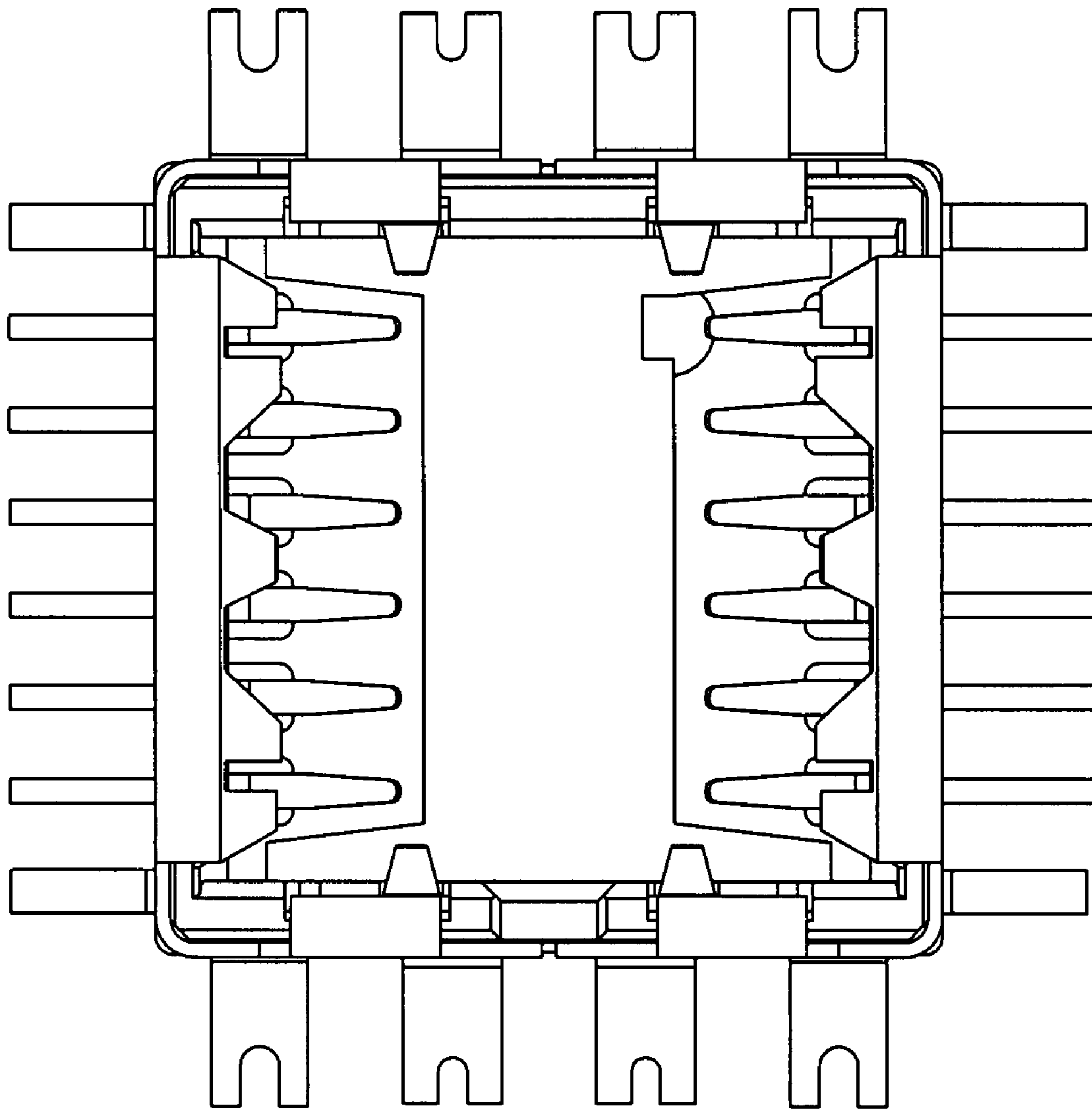


FIG. 6

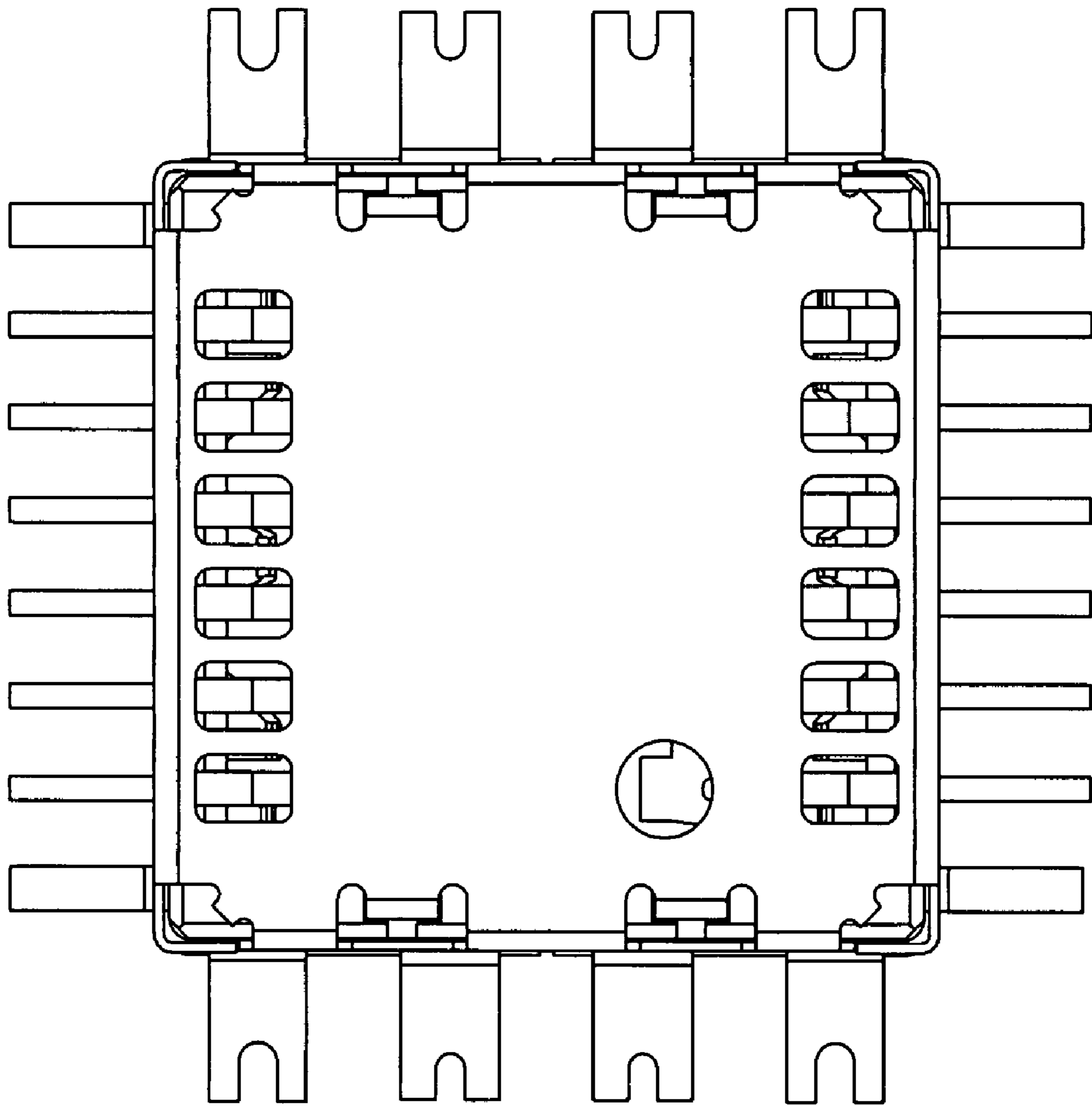


FIG. 7