



US00D565509S

(12) **United States Design Patent**
Fechner et al.

(10) **Patent No.:** **US D565,509 S**

(45) **Date of Patent:** **** Apr. 1, 2008**

(54) **TERMINAL**

(75) Inventors: **Axel Fechner**, St. Georgen (DE);
Heiko Ullrich, Blumberg (DE);
Hermann Stadler, Donaueschingen
(DE)

(73) Assignee: **MC Technology GmbH**, Blumberg
(DE)

(**) **Term:** **14 Years**

(21) **Appl. No.:** **29/274,157**

(22) **Filed:** **Mar. 30, 2007**

(30) **Foreign Application Priority Data**

Nov. 28, 2006 (EM) 000628748

(51) **LOC (8) Cl.** **13-03**

(52) **U.S. Cl.** **D13/133; D13/154**

(58) **Field of Classification Search** D13/133,
D13/137, 154, 173, 177, 184; D8/353; 174/66,
174/67, 58; 200/339; 220/241
See application file for complete search history.

(56) **References Cited**

U.S. PATENT DOCUMENTS

D209,669 S * 12/1967 Piasecki D13/133
D238,878 S * 2/1976 Harkins D13/133

D491,535 S * 6/2004 Chien D13/154
D491,537 S * 6/2004 Whorley D13/154
D495,999 S * 9/2004 Lewis D13/154

FOREIGN PATENT DOCUMENTS

DE 41 04 653 C1 3/1992
DE 197 35 409 A1 3/1999

* cited by examiner

Primary Examiner—Daniel Bui

Assistant Examiner—Thomas J Johannes

(74) *Attorney, Agent, or Firm*—The Nath Law Group; Jerald
L. Meyer; Derek Richmond

(57) **CLAIM**

The ornamental design for a terminal, as shown and
described.

DESCRIPTION

FIG. 1 is a first end view of the terminal;
FIG. 2 is a first side view of the terminal of FIG. 1;
FIG. 3 is a first planar view of the terminal of FIG. 1;
FIG. 4 is a second side view of the terminal of FIG. 1;
FIG. 5 is a second end view of the terminal of FIG. 1;
FIG. 6 is a second planar view of the terminal of FIG. 1; and,
FIG. 7 is a perspective view of the terminal of FIG. 1.

1 Claim, 1 Drawing Sheet

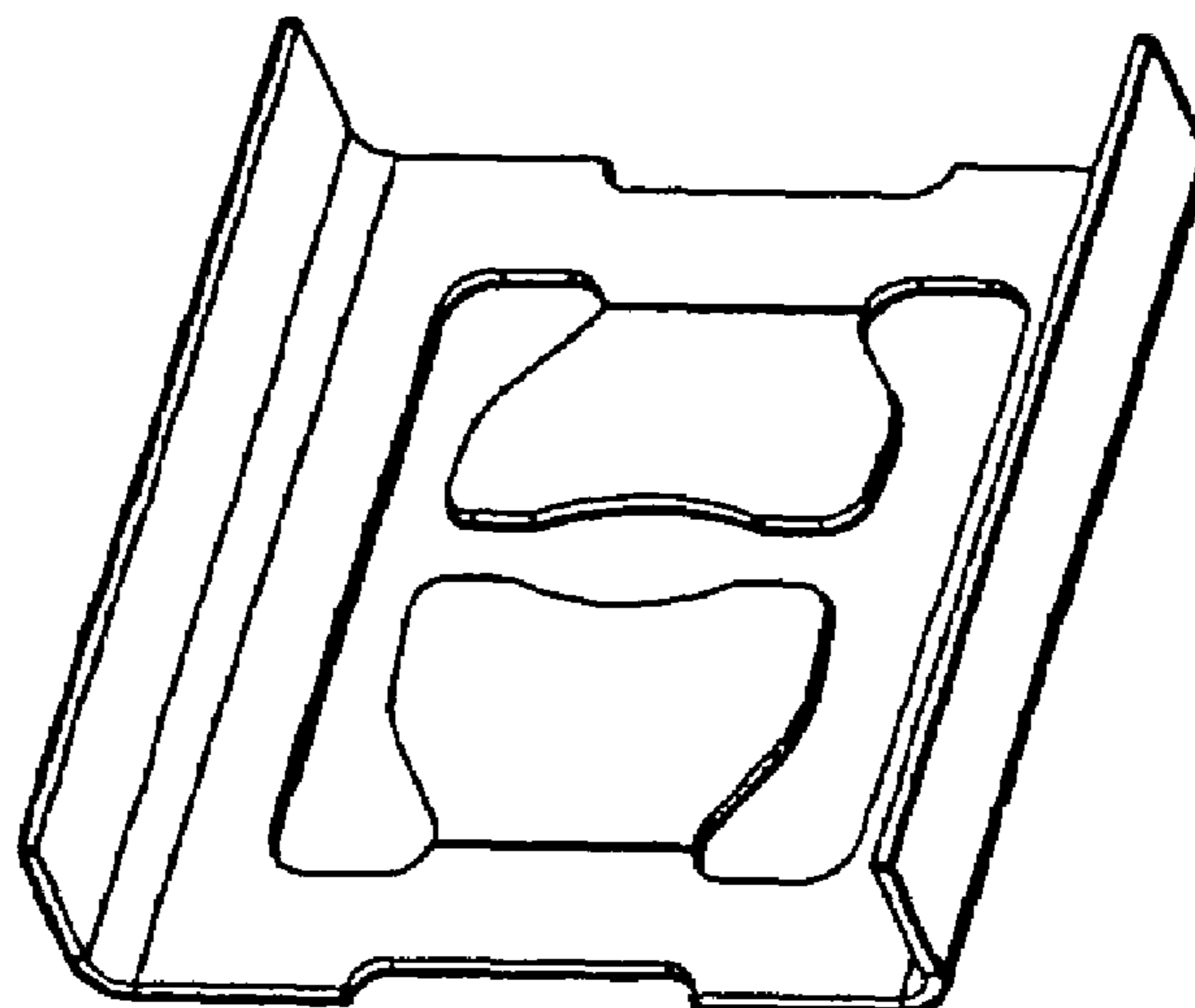


FIG. 1

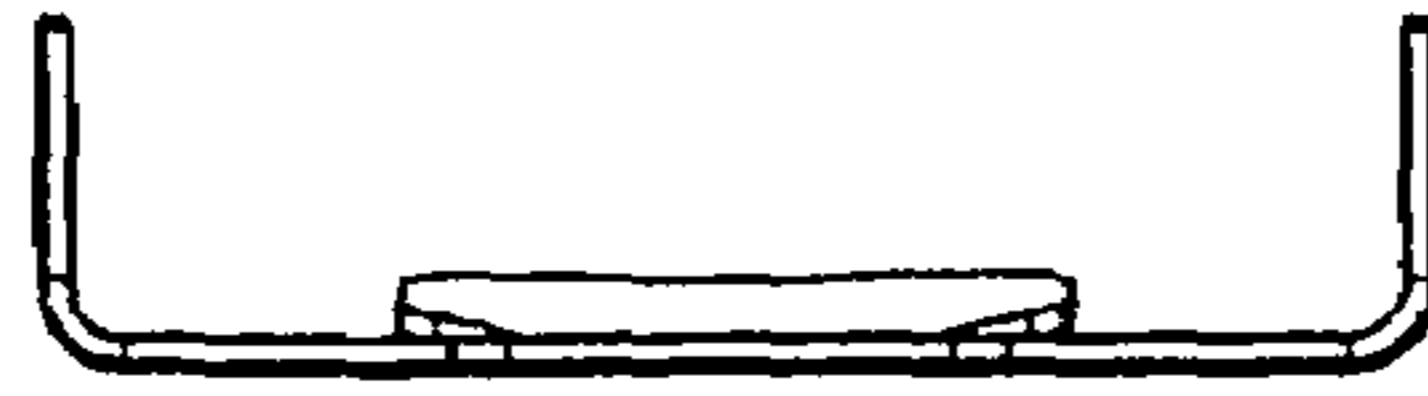


FIG. 2

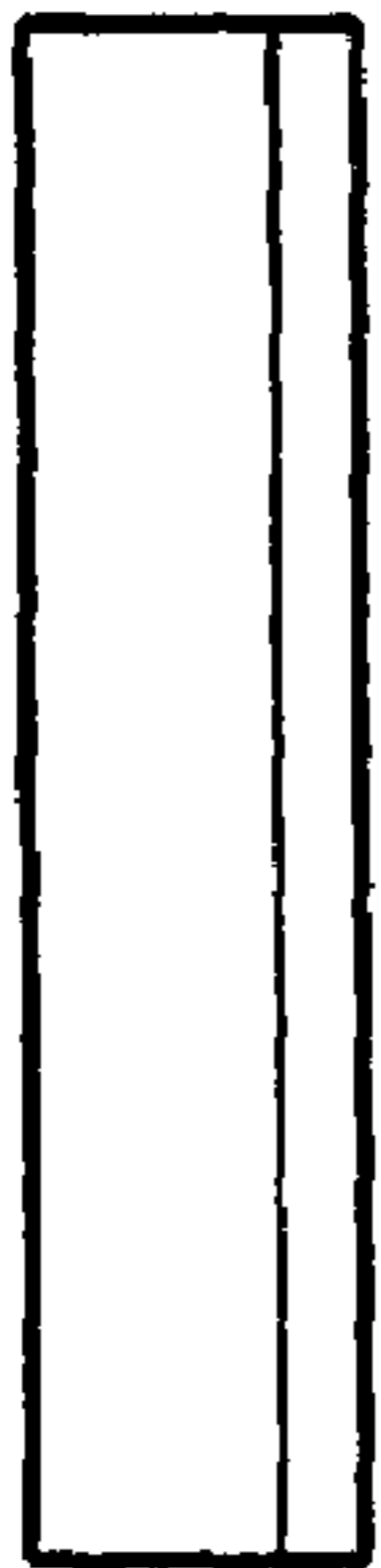


FIG. 3

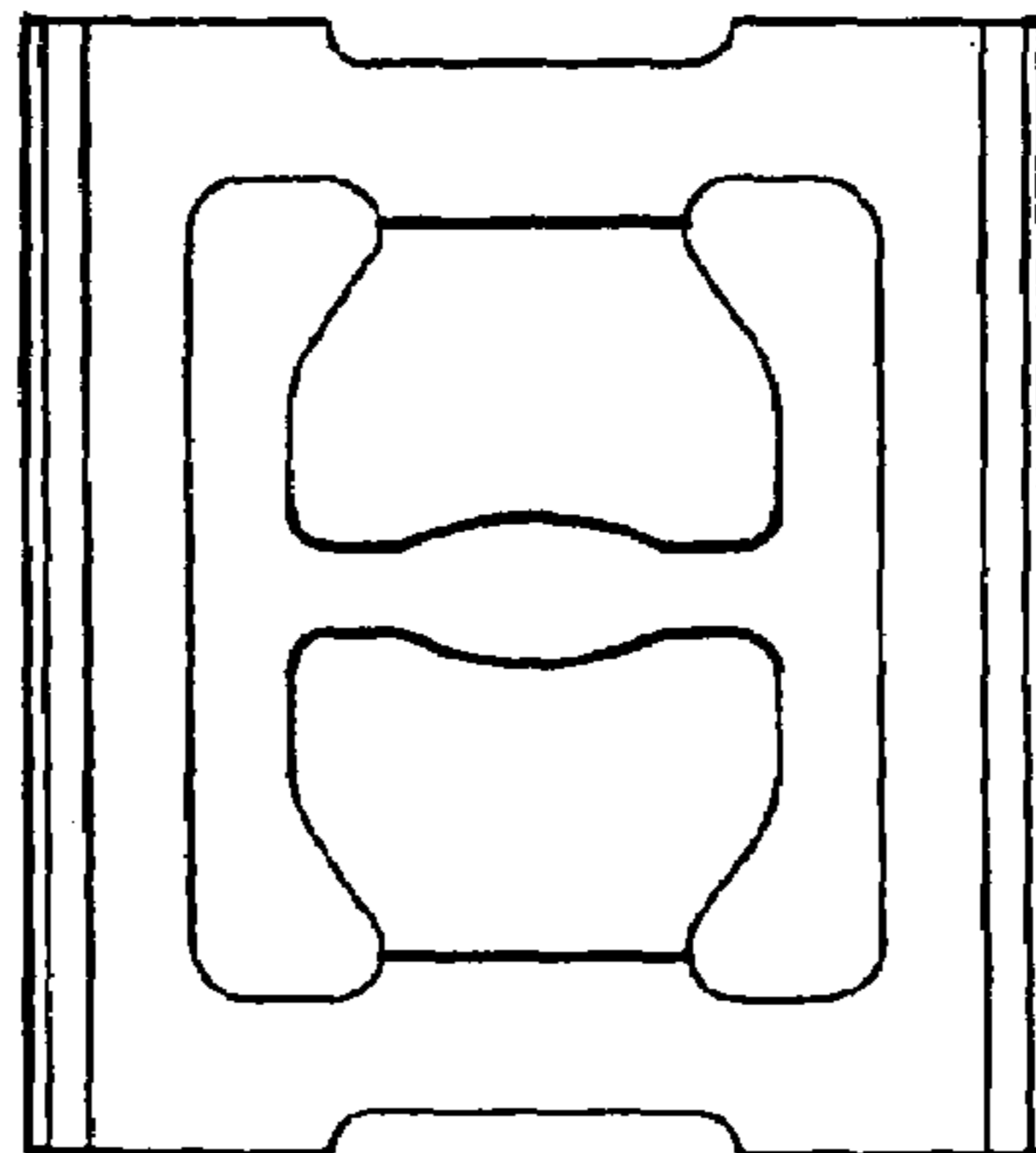


FIG. 4



FIG. 5

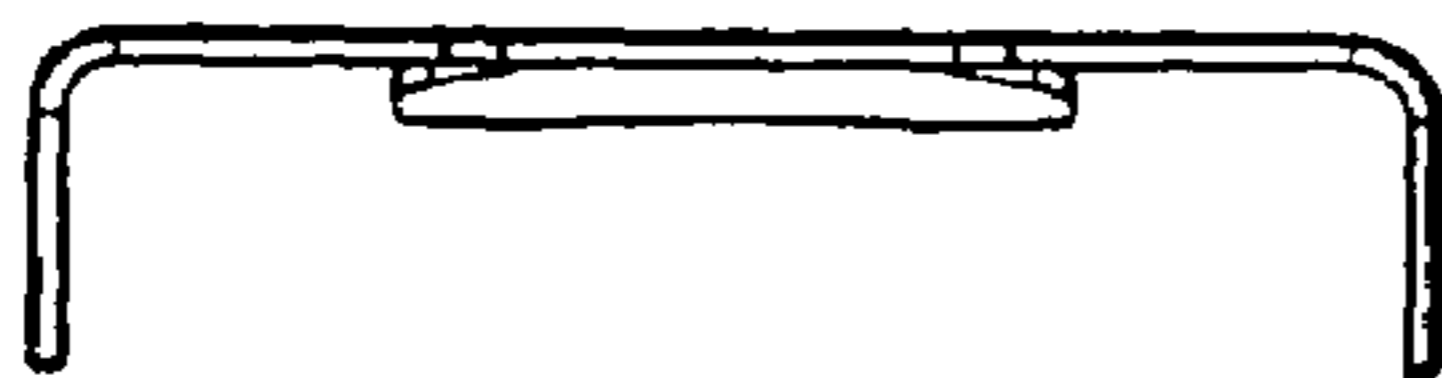


FIG. 7

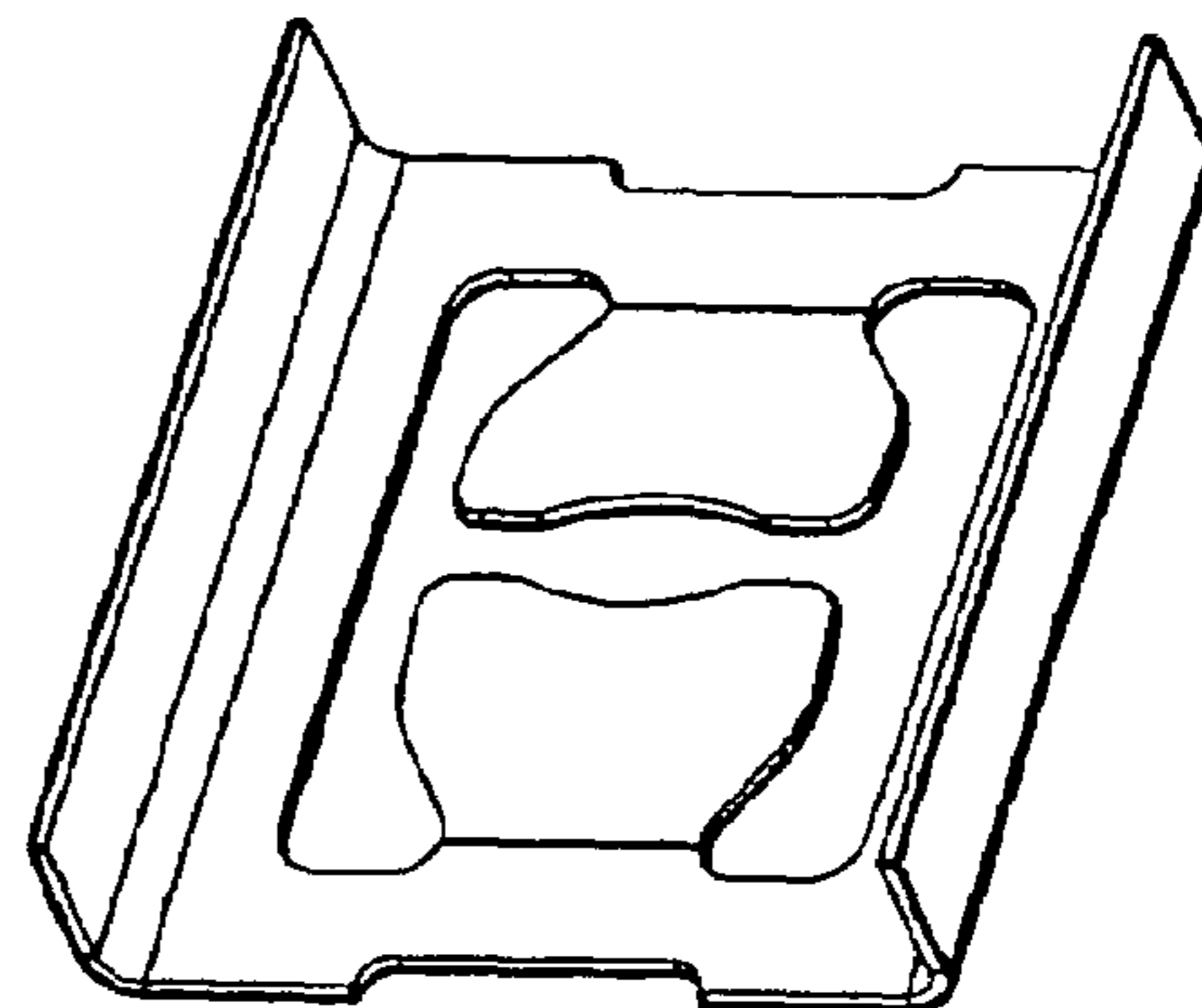


FIG. 6

