



US00D565494S

(12) **United States Design Patent**
Kim

(10) **Patent No.:** **US D565,494 S**

(45) **Date of Patent:** **** Apr. 1, 2008**

(54) **ADAPTOR FOR WIPERS OF AUTOMOBILE**

(75) Inventor: **In-Kyu Kim**, Ansan (KR)

(73) Assignee: **ADM21 Co. Ltd.**, Ansan-si (KR)

(**) Term: **14 Years**

(21) Appl. No.: **29/281,502**

(22) Filed: **Jun. 25, 2007**

(51) **LOC (8) Cl.** **12-06**

(52) **U.S. Cl.** **D12/220**

(58) **Field of Classification Search** D12/219-220;
403/3-4, 321, 329; 15/250.001, 250.05,
15/250.07, 250.3, 250.32, 250.33, 250.38-44,
15/260.46, 250.351, 250.361

See application file for complete search history.

(56) **References Cited**

U.S. PATENT DOCUMENTS

- D353,358 S * 12/1994 Lee D12/220
- D402,254 S * 12/1998 Lee D12/220
- D411,503 S * 6/1999 Lee D12/220
- D444,760 S * 7/2001 Houssat et al. D12/220
- D473,507 S * 4/2003 Huang D12/220
- D478,308 S * 8/2003 Lee D12/220

D480,679 S * 10/2003 Lee D12/220

* cited by examiner

Primary Examiner—Stacia Cadmus

(74) *Attorney, Agent, or Firm*—Townsend and Townsend and Crew LLP

(57) **CLAIM**

The ornamental design for adaptor for wipers of automobile, as shown and described.

DESCRIPTION

FIG. 1 is a perspective view of an adaptor for wipers of automobile.

FIG. 2 is a front elevational view thereof.

FIG. 3 is a rear elevational view thereof.

FIG. 4 is a left side elevational view thereof.

FIG. 5 is a right side elevational view thereof.

FIG. 6 is a top plan view thereof.

FIG. 7 is a bottom plan view thereof; and,

FIG. 8 is a reduced perspective view of an adaptor for wipers of automobile shown in reference to the wiper. The broken line showing of the wiper is for illustrative purposes only and forms no part of the claimed design.

1 Claim, 4 Drawing Sheets

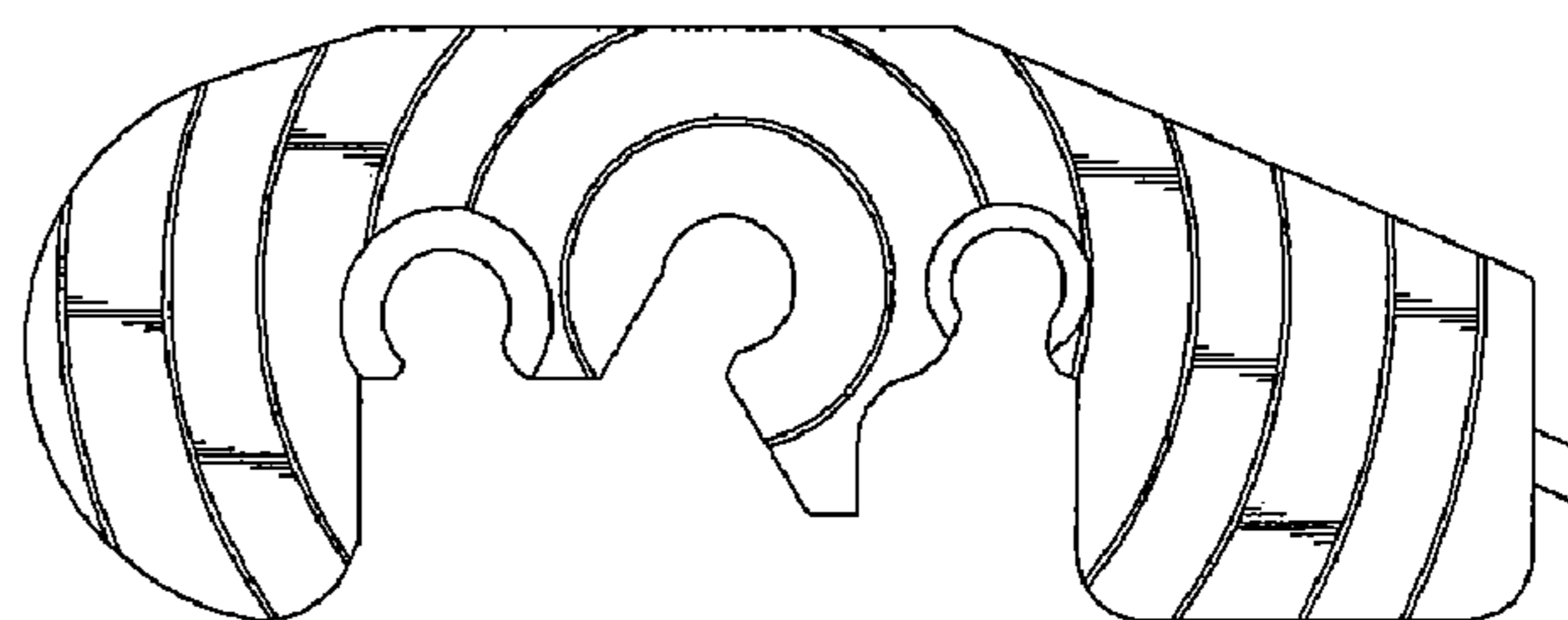
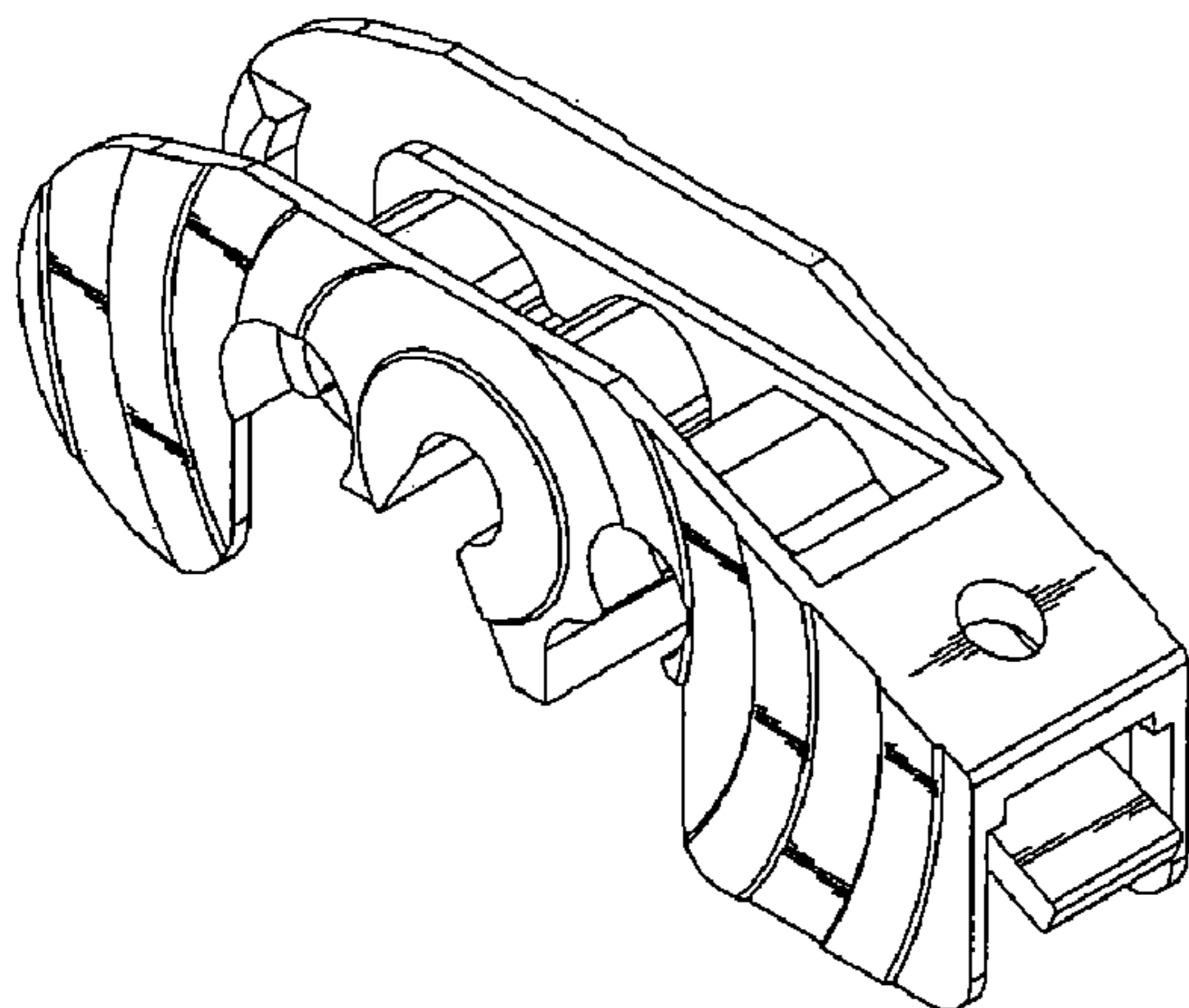


FIG. 1

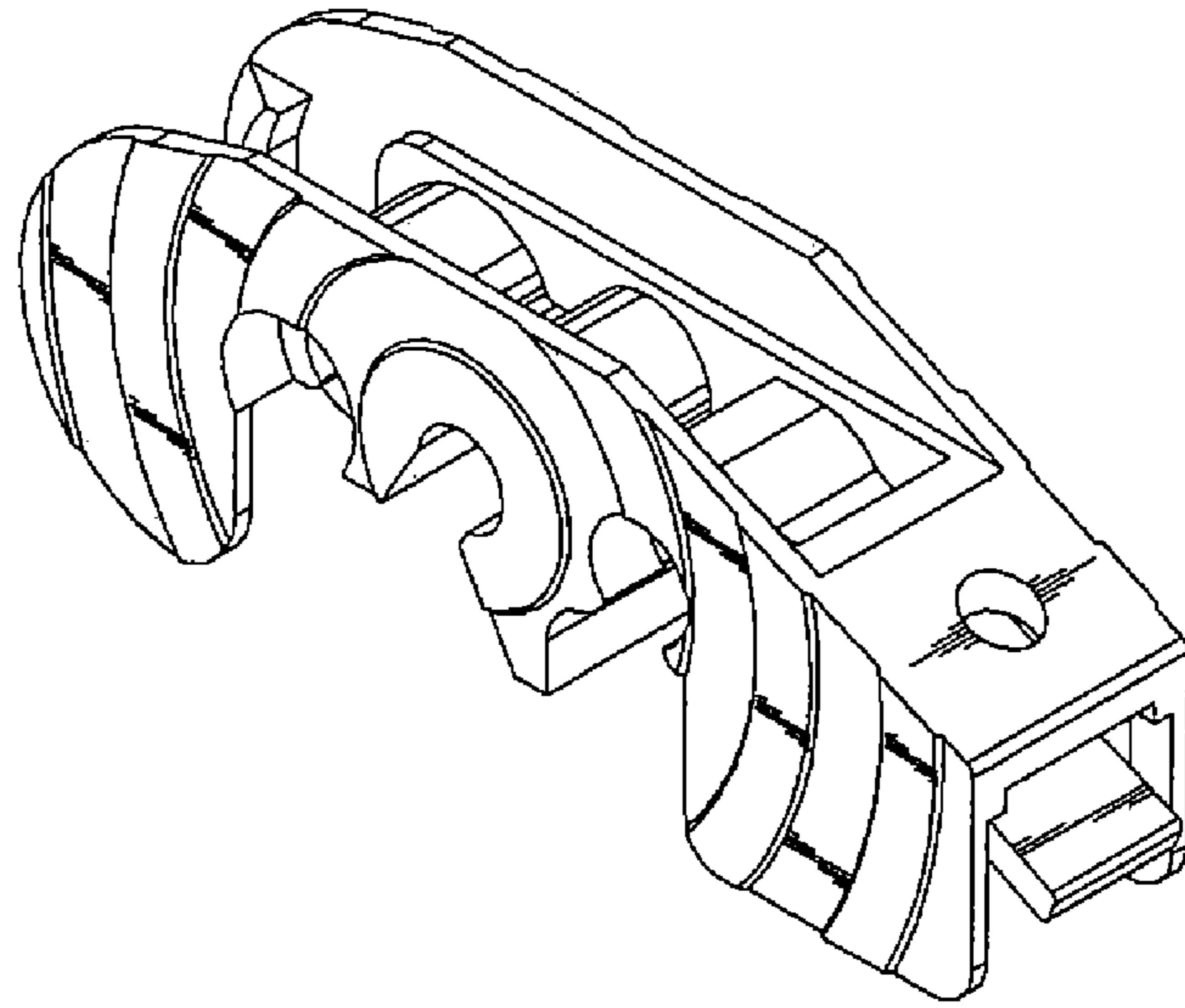


FIG. 2

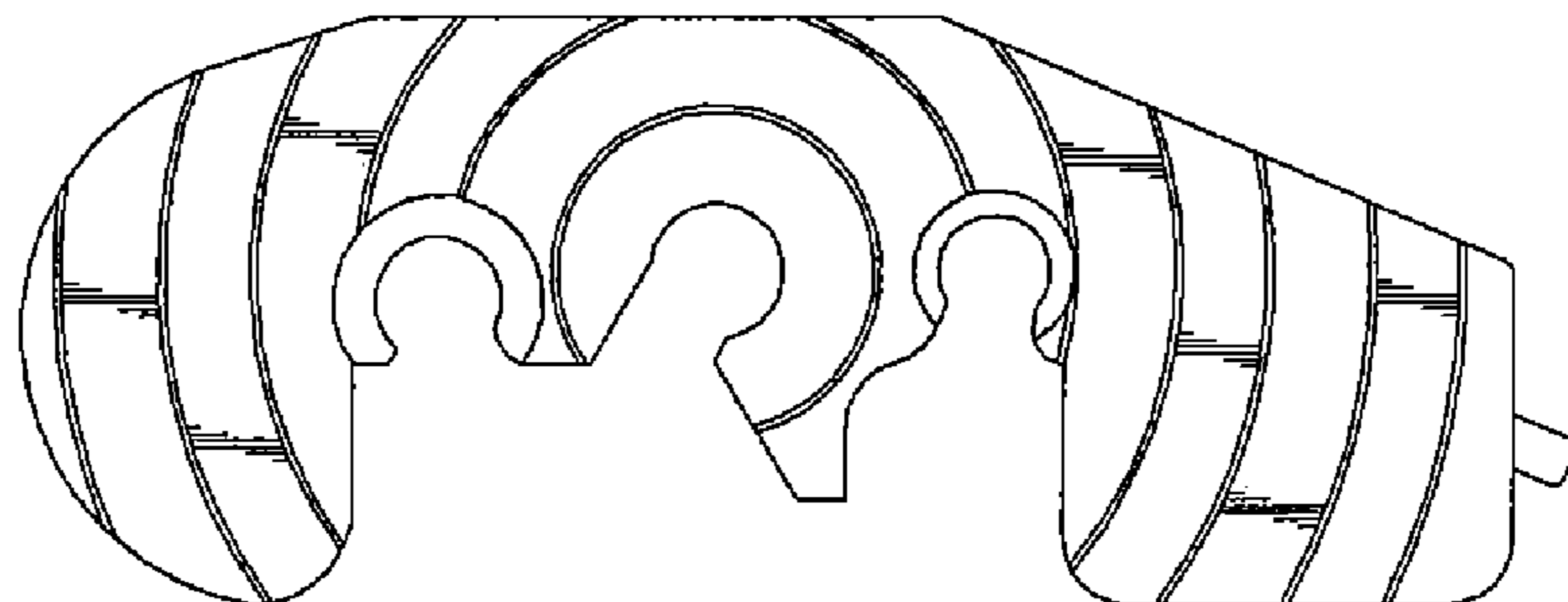


FIG. 3

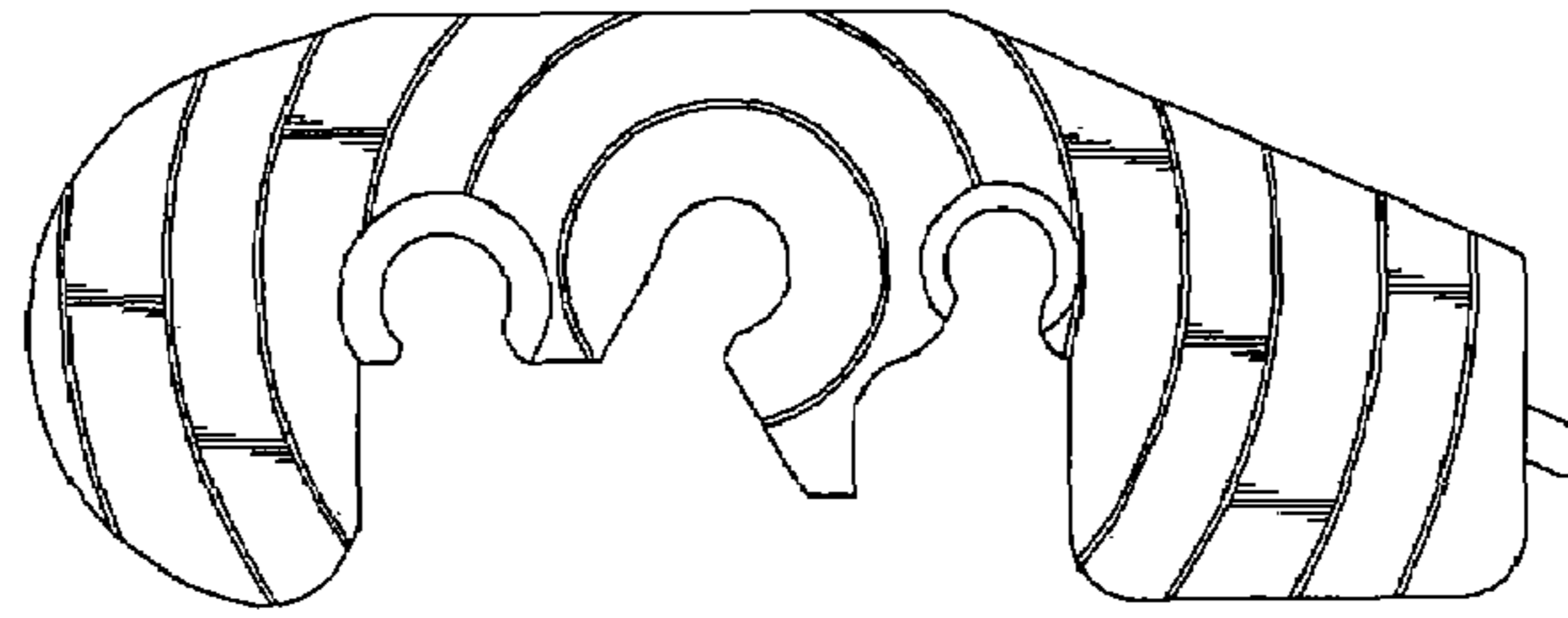


FIG. 4

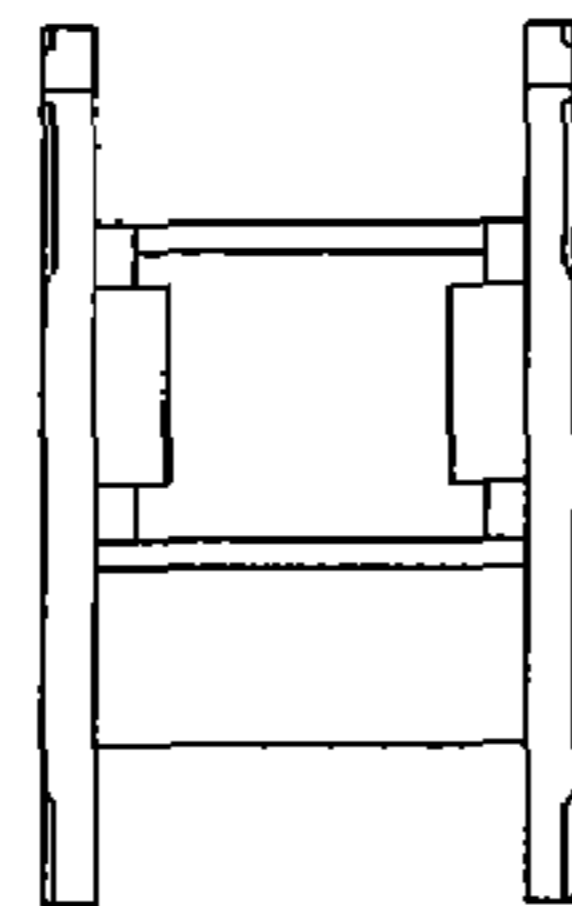


FIG. 5

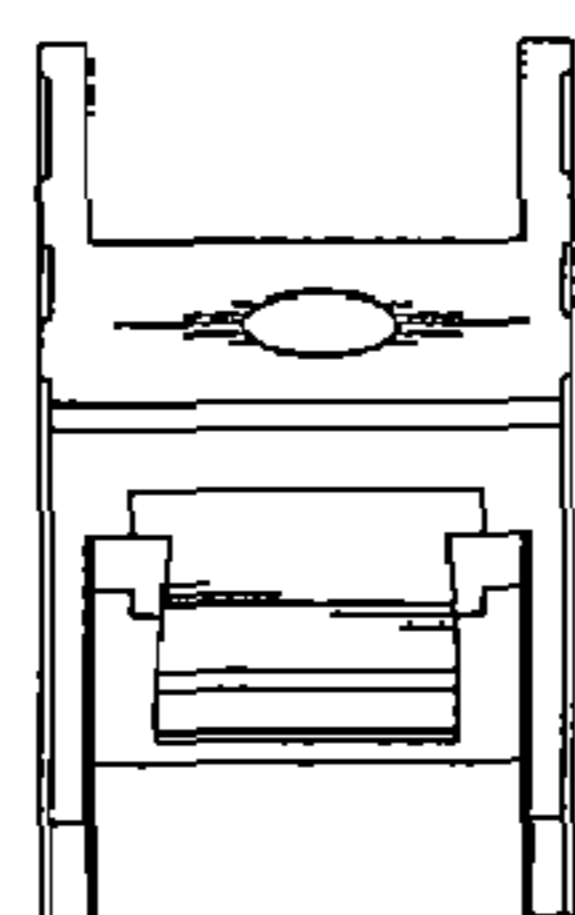
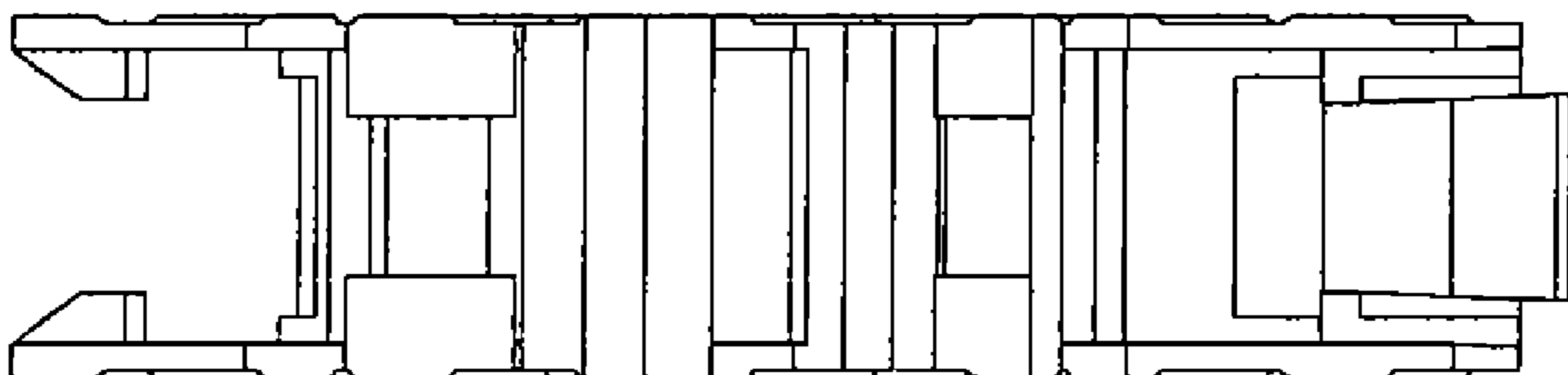


FIG. 6



FIG. 7



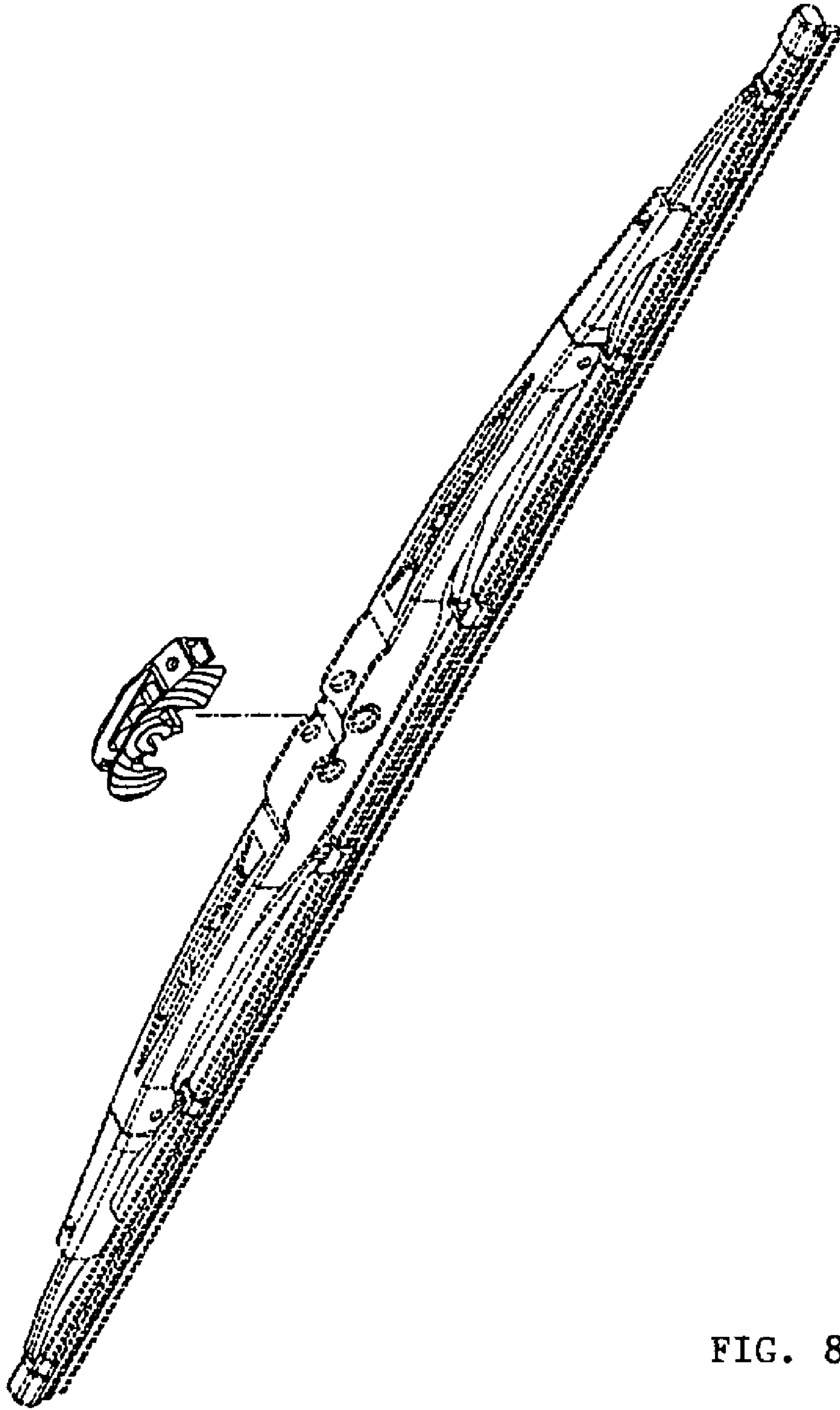


FIG. 8