



US00D565489S

(12) **United States Design Patent** (10) **Patent No.:** **US D565,489 S**
Lee (45) **Date of Patent:** **** Apr. 1, 2008**

(54) **COVER FOR DOOR CAMERAS OF AUTOMOBILES**

Primary Examiner—Melody N. Brown
(74) *Attorney, Agent, or Firm*—Arent Fox LLP

(75) Inventor: **Han Seung Lee**, Wako (JP)

(57) **CLAIM**

(73) Assignee: **Honda Motor Co., Ltd.**, Tokyo (JP)

The ornamental design for a cover for door cameras of automobiles, as shown and described.

(**) Term: **14 Years**

(21) Appl. No.: **29/256,253**

DESCRIPTION

(22) Filed: **Mar. 20, 2006**

(30) **Foreign Application Priority Data**

Sep. 21, 2005 (JP) 2005-027201

(51) **LOC (8) Cl.** **12-16**

(52) **U.S. Cl.** **D12/196; D12/400; D12/187**

(58) **Field of Classification Search** D12/196,
D12/400, 187; 296/181.1, 146.1, 99.1, 39.1,
296/39.2

See application file for complete search history.

(56) **References Cited**

U.S. PATENT DOCUMENTS

D249,340 S *	9/1978	Braid	D12/187
D410,421 S *	6/1999	Pfeiffer	D12/187
D463,342 S *	9/2002	Sinkwitz	D12/187
D500,274 S *	12/2004	Pfeiffer	D12/187
D506,169 S *	6/2005	Pfeiffer et al.	D12/187
D551,605 S *	9/2007	Pfeiffer	D12/187

* cited by examiner

FIG. 1 is a front view of a cover for a door cameras of automobiles showing my new design.

FIG. 2 is a top plan view of thereof.

FIG. 3 is a bottom view thereof.

FIG. 4 is a right side view thereof.

FIG. 5 is a left side view thereof.

FIG. 6 is a front perspective view thereof as seen from the left front side.

FIG. 7 is a front perspective view thereof as seen from the right front side.

FIG. 8 is a perspective view thereof shown with a camera; and,

FIG. 9 is another perspective view thereof with a camera.

The camera portions shown in broken lines in FIGS. 8 and 9 are for illustrative purposes only and form no part of the claimed design.

1 Claim, 4 Drawing Sheets

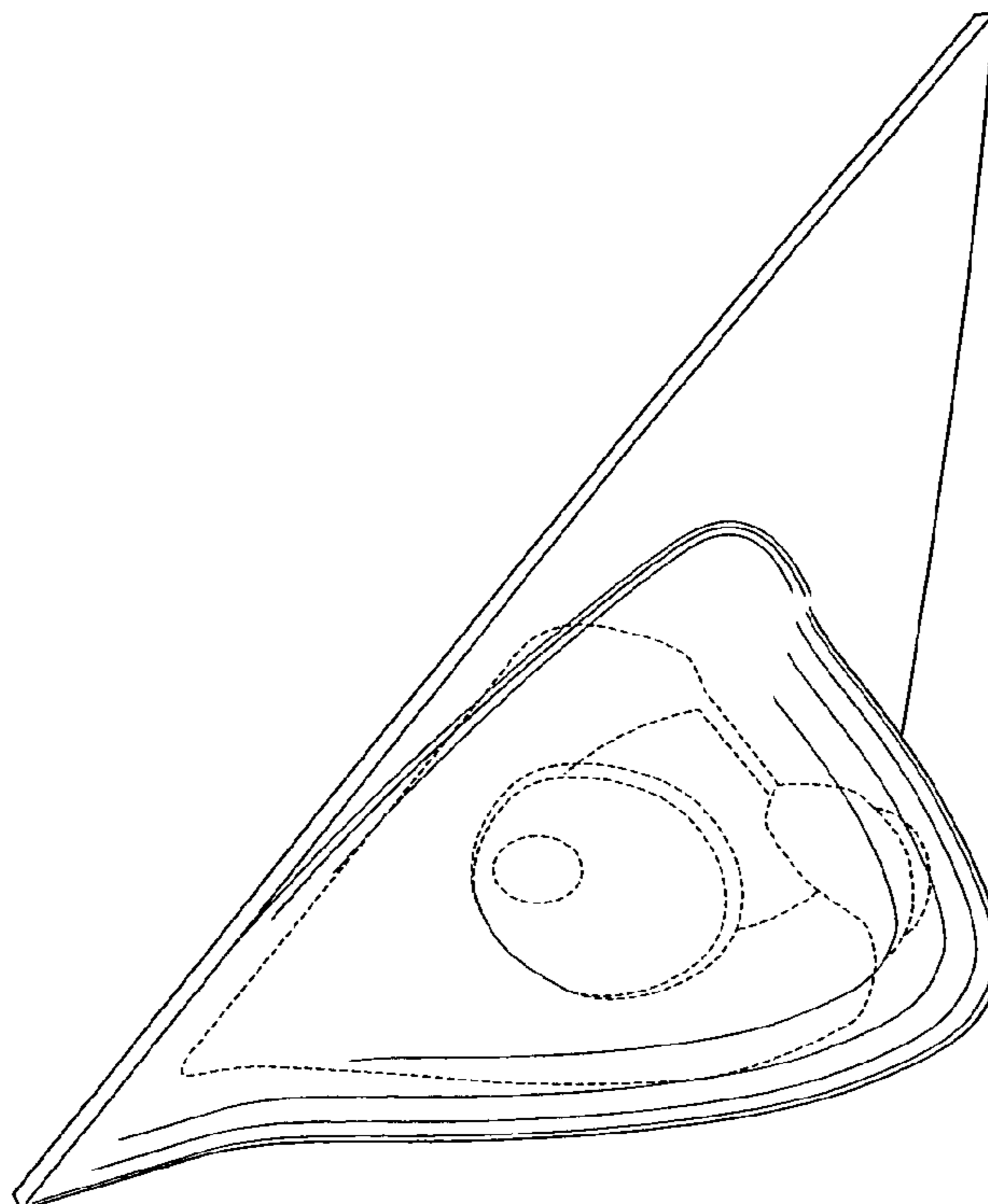


FIG.1

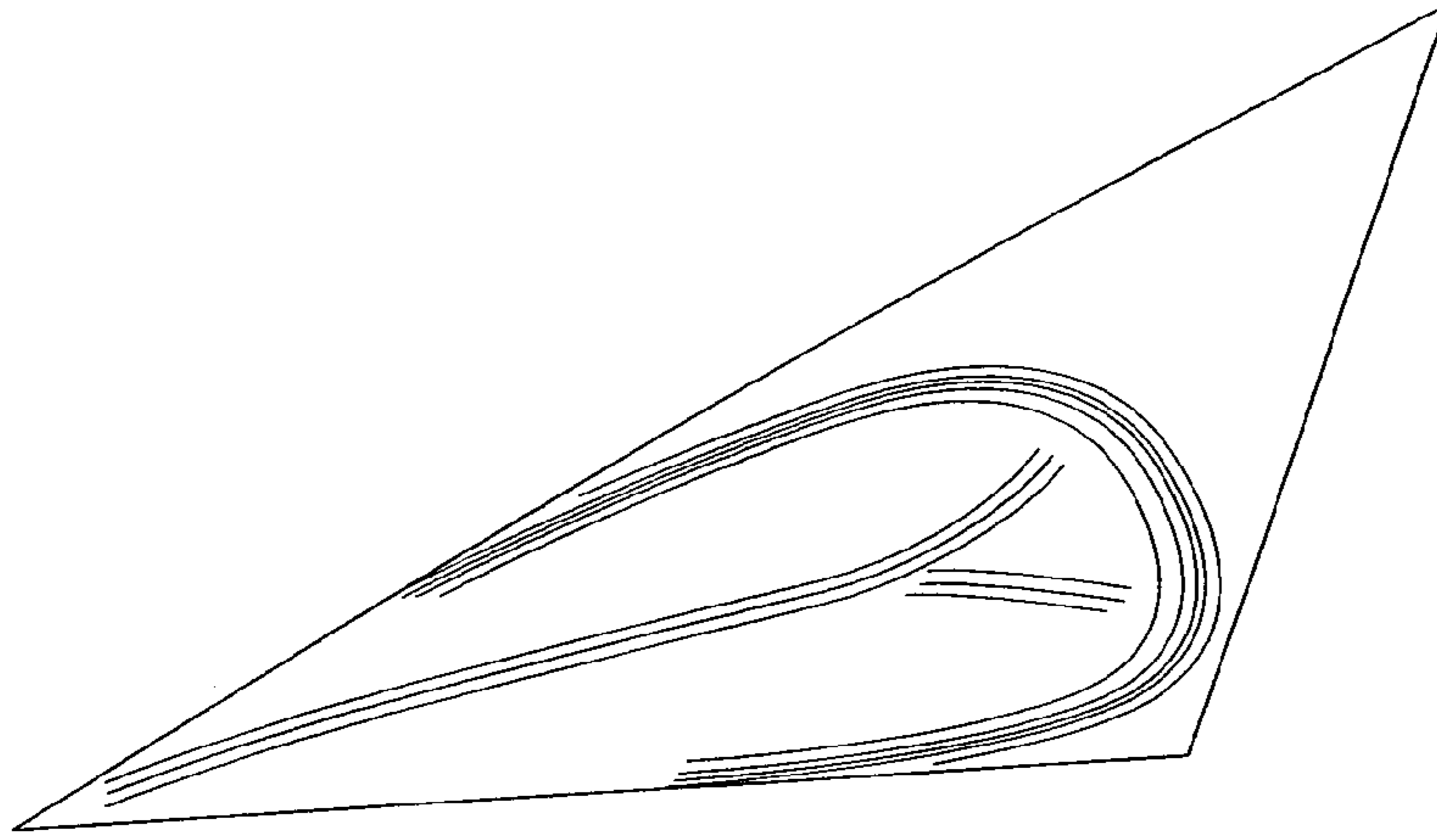


FIG.2

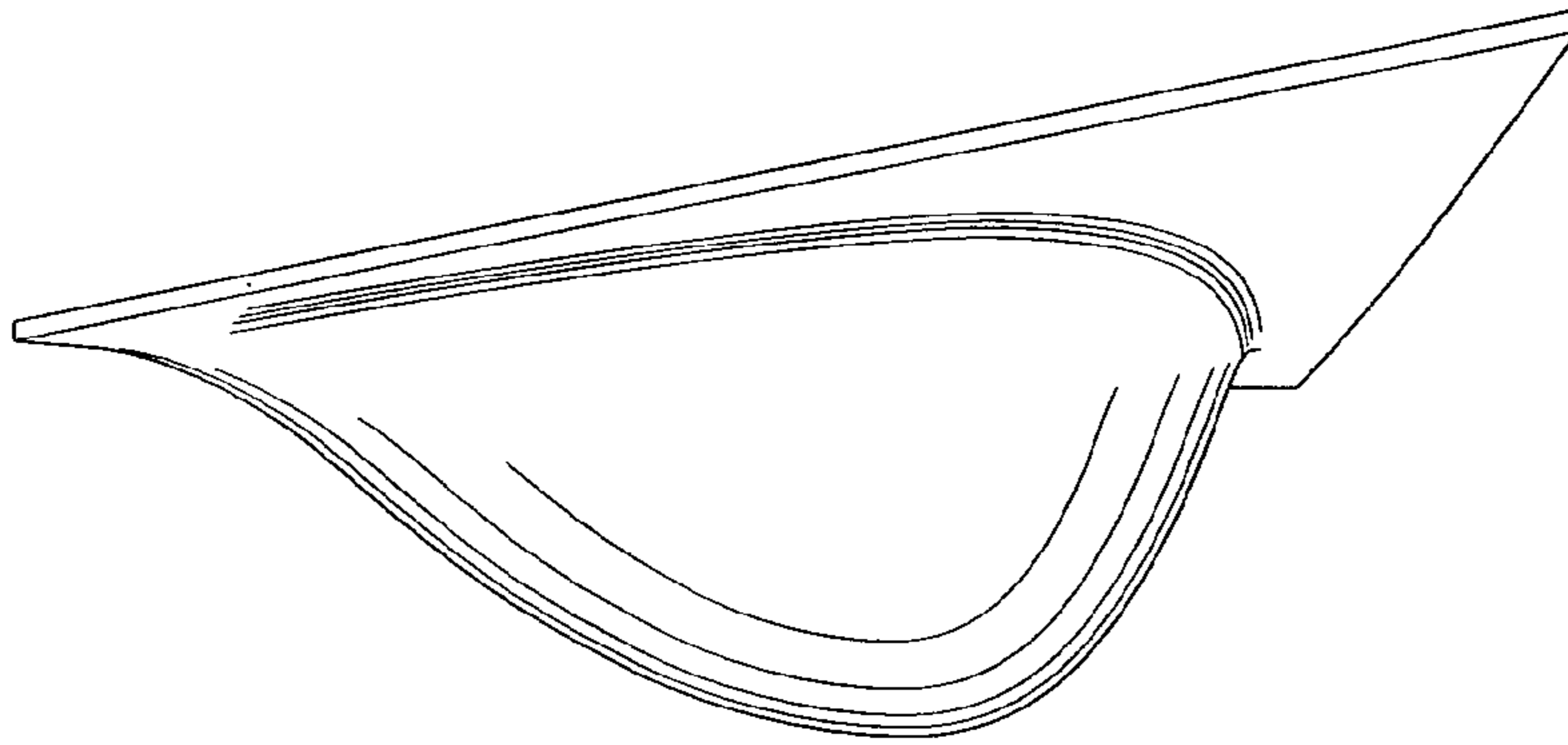


FIG.3

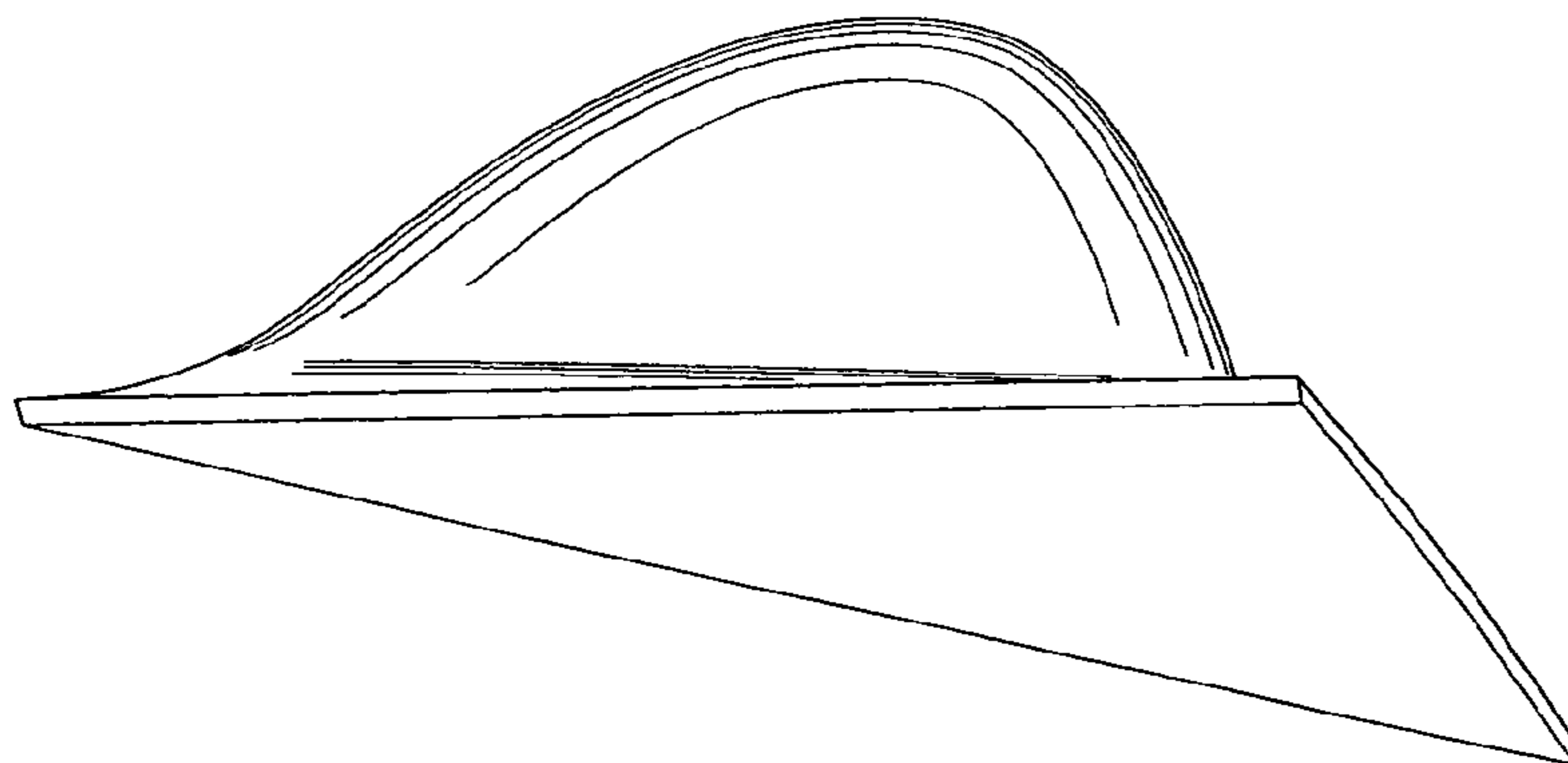


FIG.4

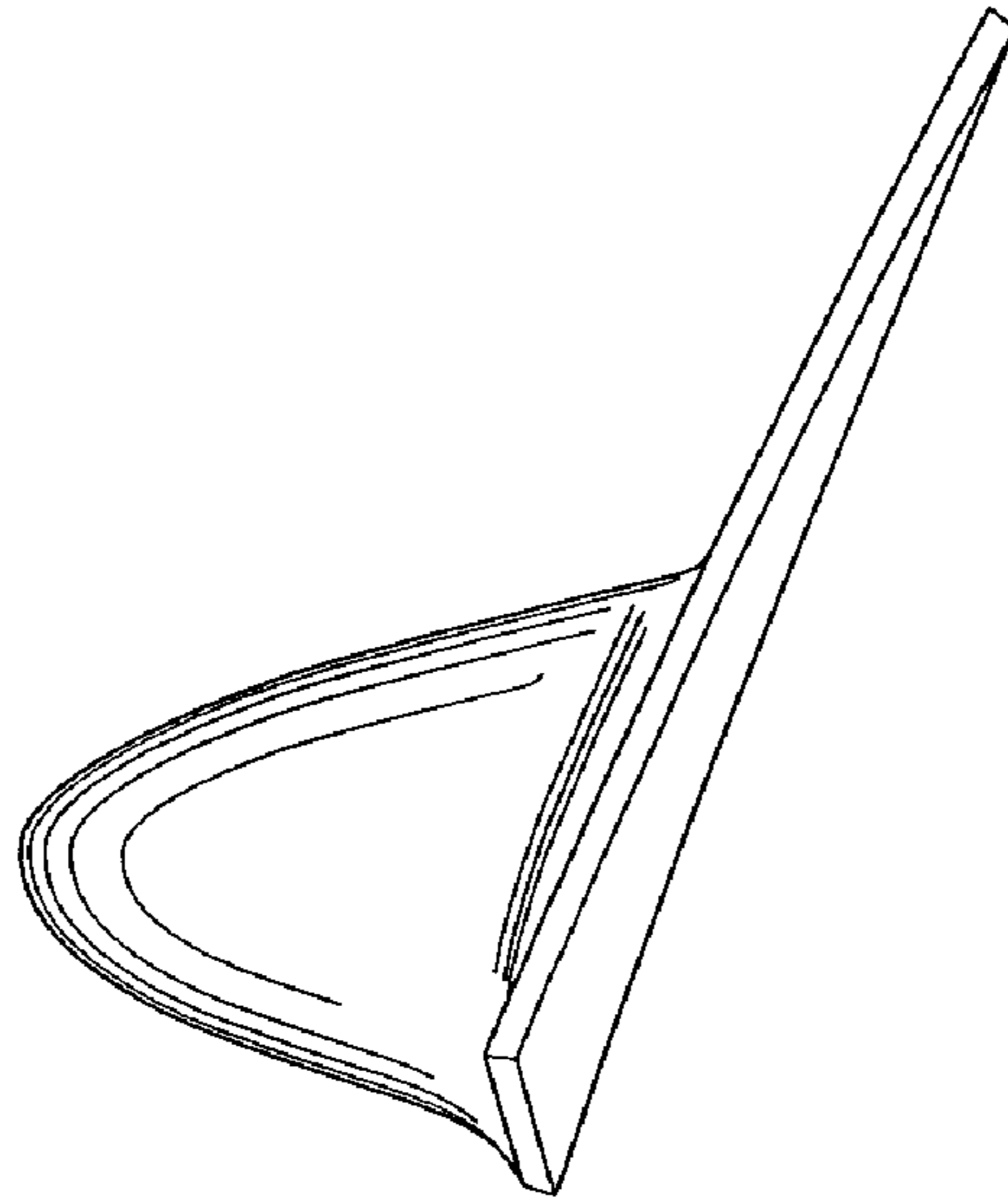


FIG.5

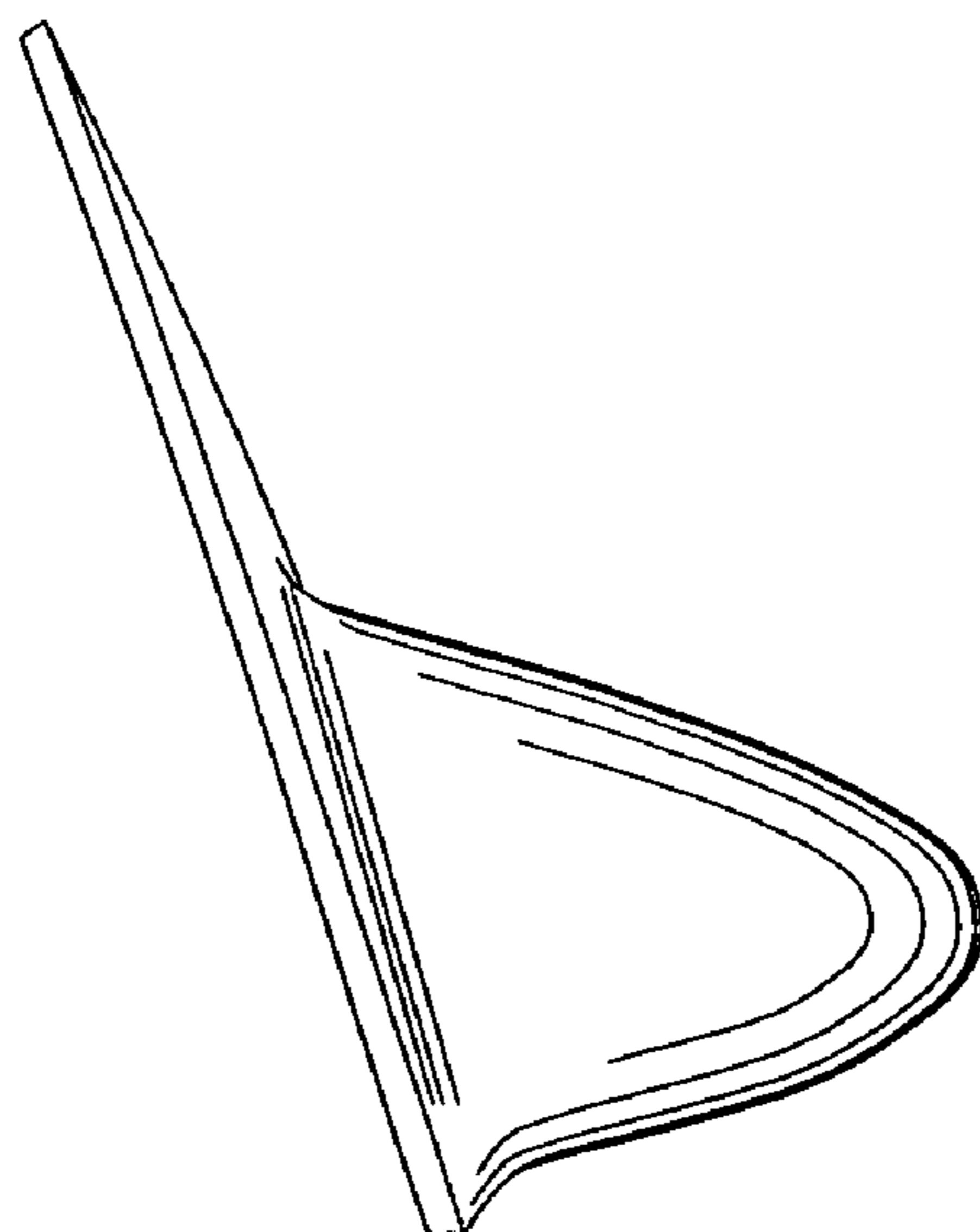


FIG.6

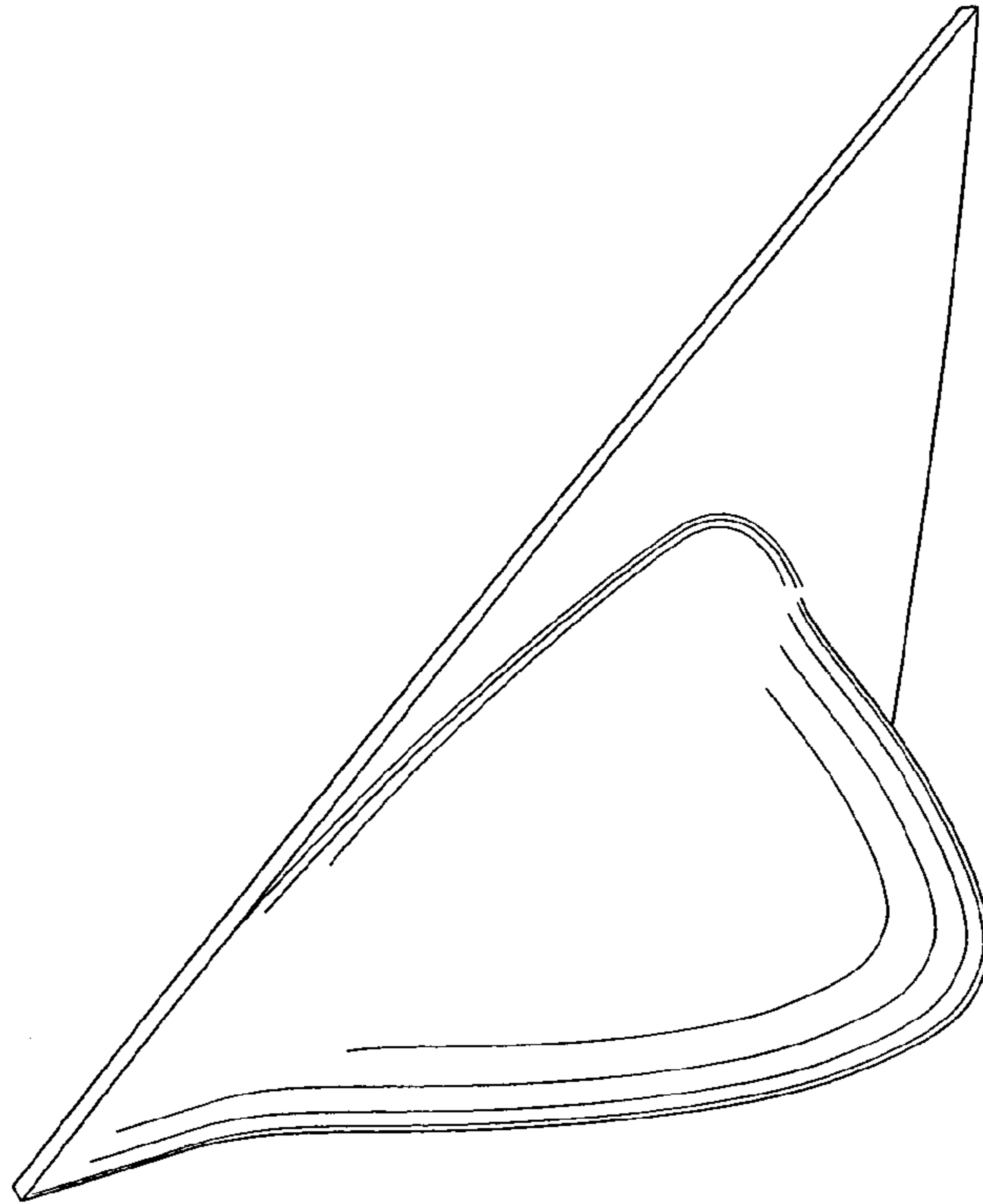


FIG.7

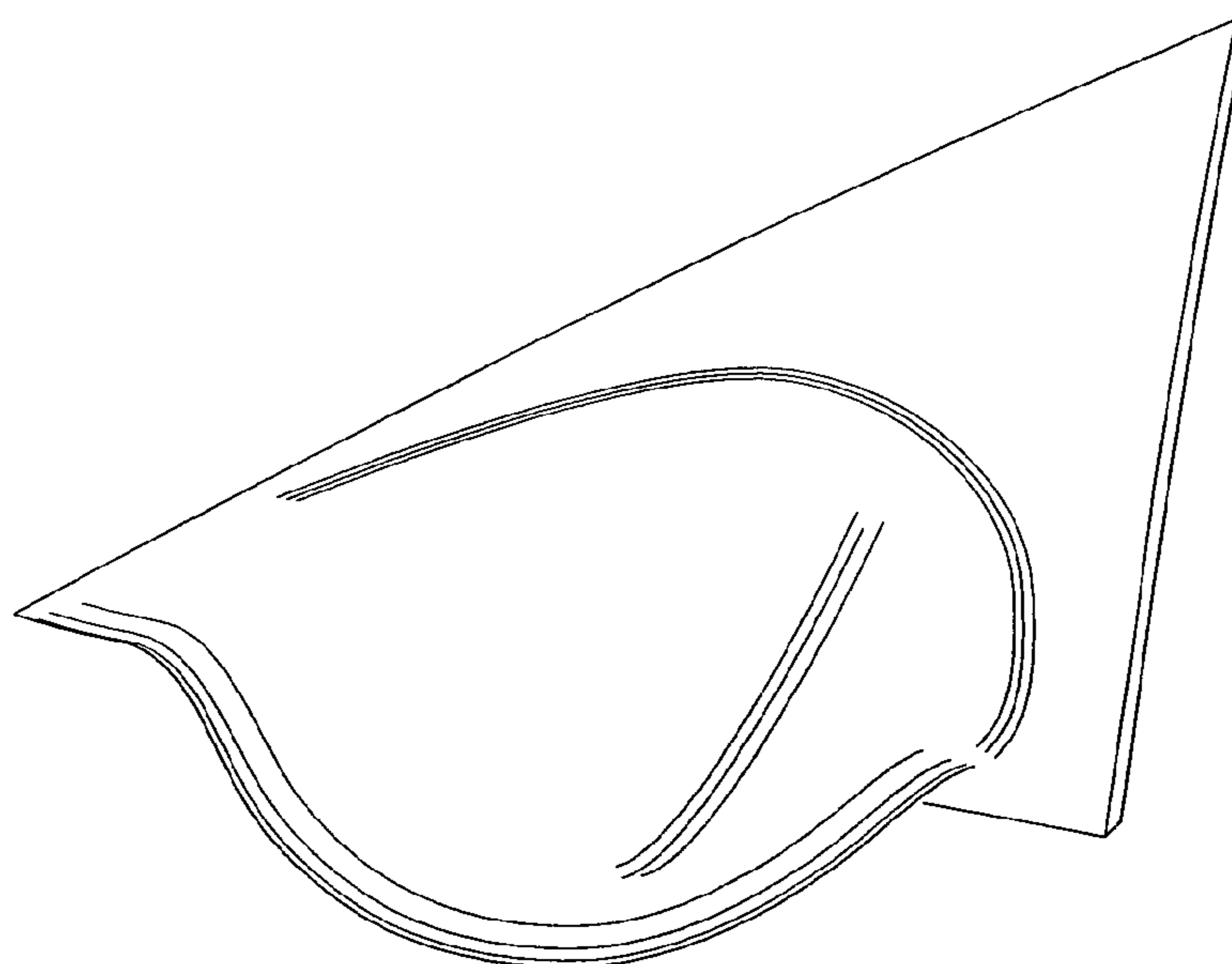


FIG.8

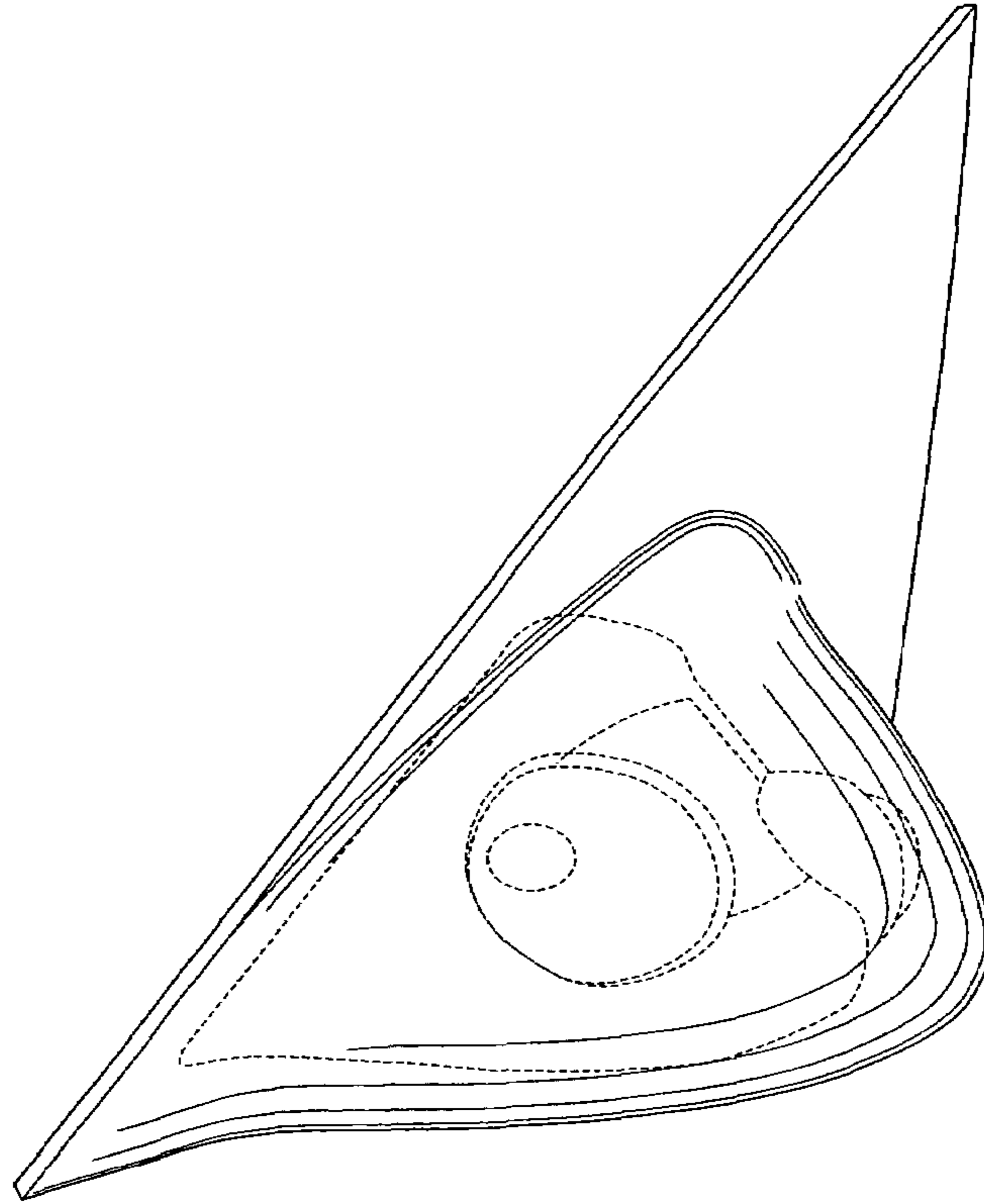


FIG.9

