



US00D565488S

(12) **United States Design Patent**  
**Hu**

(10) **Patent No.:** **US D565,488 S**

(45) **Date of Patent:** **\*\* Apr. 1, 2008**

(54) **LICENSE PLATE FRAME**

D377,926 S \* 2/1997 Kheyfets ..... D12/193  
D464,301 S \* 10/2002 Ohm ..... D12/193

(76) Inventor: **Ming-Liang Hu**, No. 129, Lane 523,  
Sec. 3, Chung Cheng Rd., Jen Te,  
Tainan Hsien (TW)

\* cited by examiner

*Primary Examiner*—Stacia Cadmus  
(74) *Attorney, Agent, or Firm*—Brinks Hofer Gilson &  
Lione

(\*\*) Term: **14 Years**

(21) Appl. No.: **29/292,021**

(57) **CLAIM**

(22) Filed: **Sep. 25, 2007**

The ornamental design for license plate frame, as shown and described.

(51) **LOC (8) Cl.** ..... **12-16**

(52) **U.S. Cl.** ..... **D12/193**

(58) **Field of Classification Search** ..... D12/193;  
D6/300–303, 310–314; 40/200–203, 207–216  
See application file for complete search history.

**DESCRIPTION**

FIG. 1 is a perspective view of license plate frame showing my new design;

FIG. 2 is a front elevational view thereof;

FIG. 3 is a rear elevational view thereof;

FIG. 4 is a left side elevational view thereof;

FIG. 5 is a right side elevational view thereof;

FIG. 6 is a top plan view thereof; and,

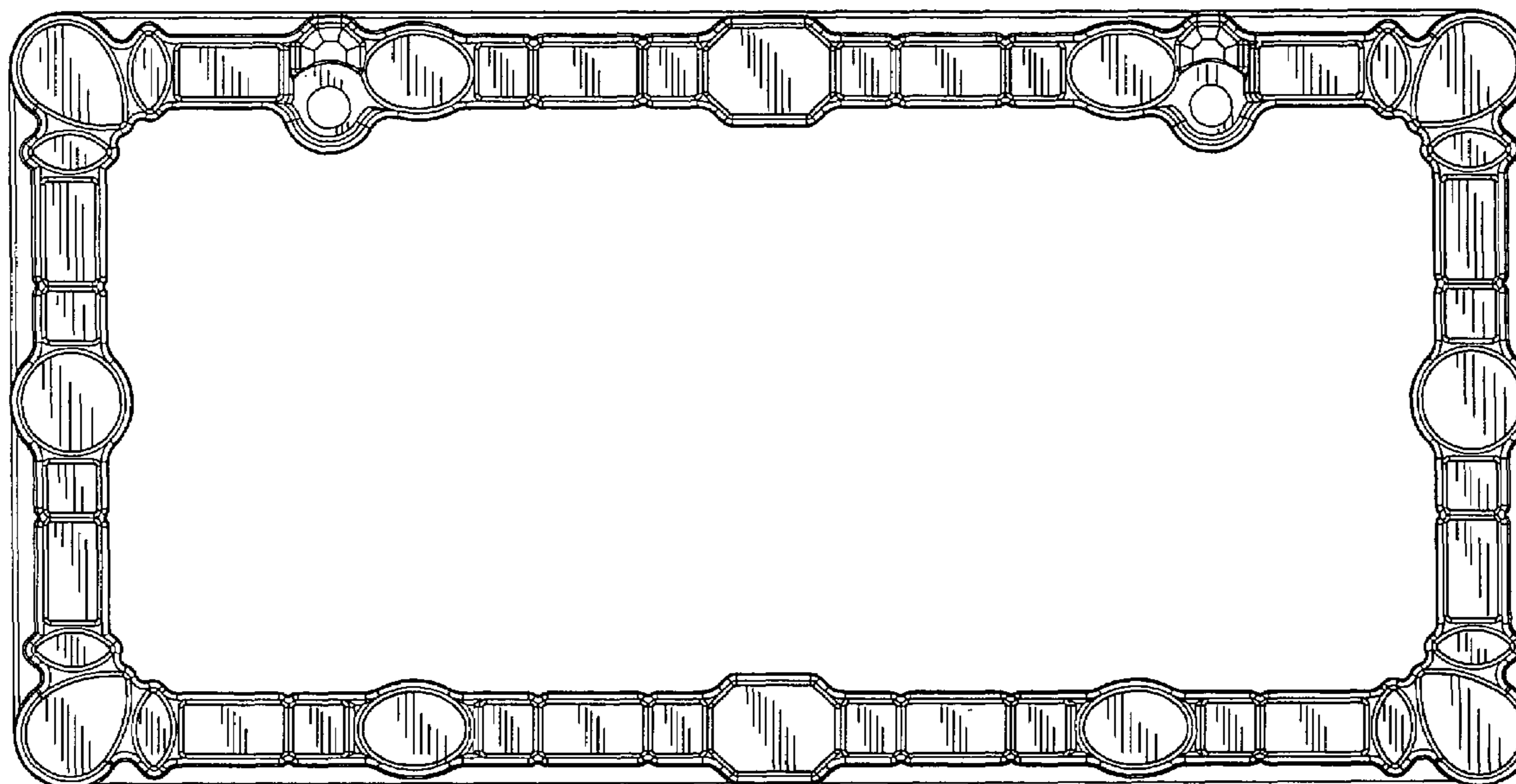
FIG. 7 is a bottom plan view thereof.

(56) **References Cited**

**U.S. PATENT DOCUMENTS**

- D257,341 S \* 10/1980 Blaser ..... D12/193
- D335,117 S \* 4/1993 Spencer ..... D12/193
- D346,578 S \* 5/1994 Corey ..... D12/193
- D368,692 S \* 4/1996 Pribble et al. .... D12/193
- D375,072 S \* 10/1996 Chiou ..... D12/193
- D377,639 S \* 1/1997 Kheyfets ..... D12/193

**1 Claim, 6 Drawing Sheets**



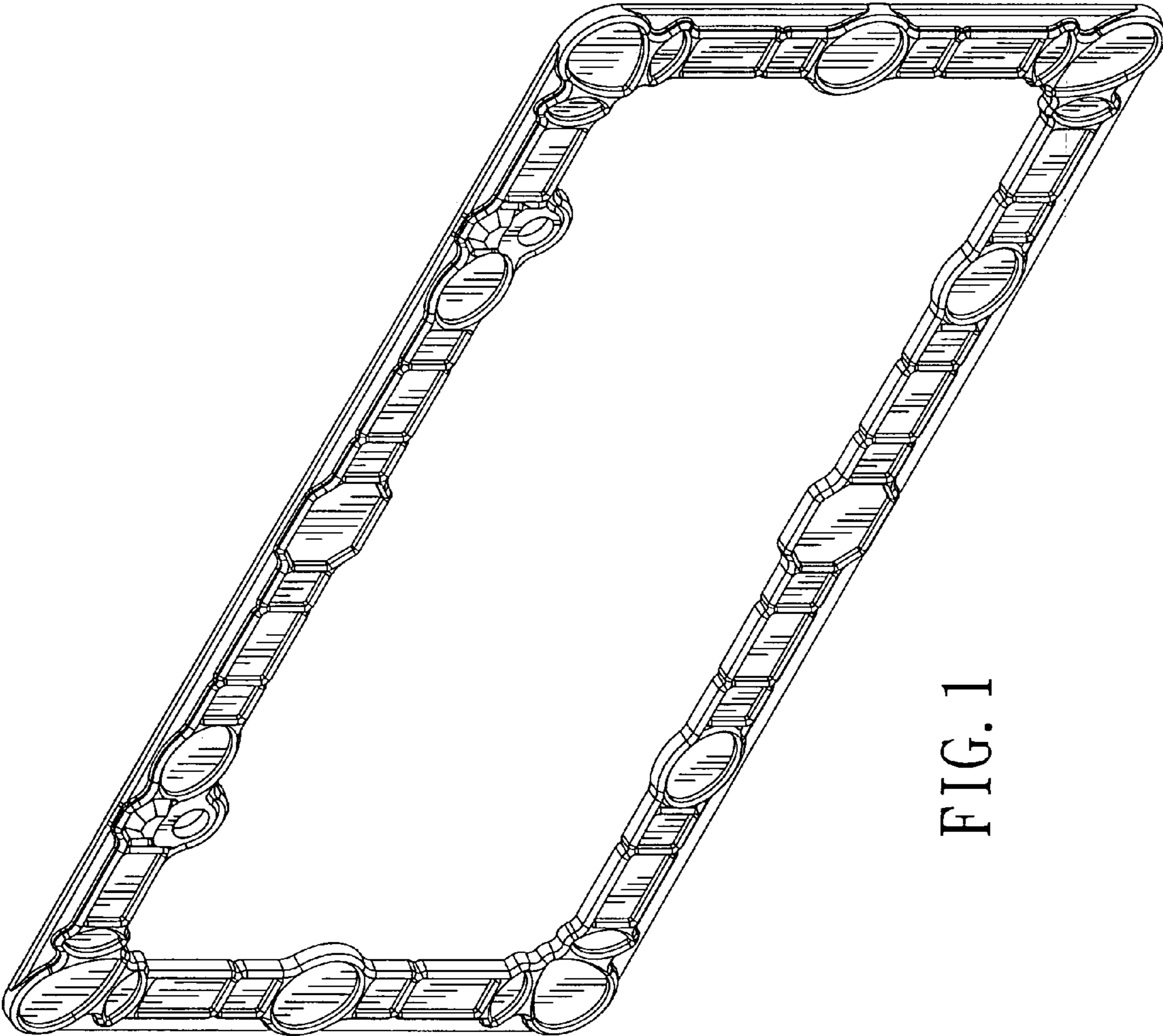


FIG. 1

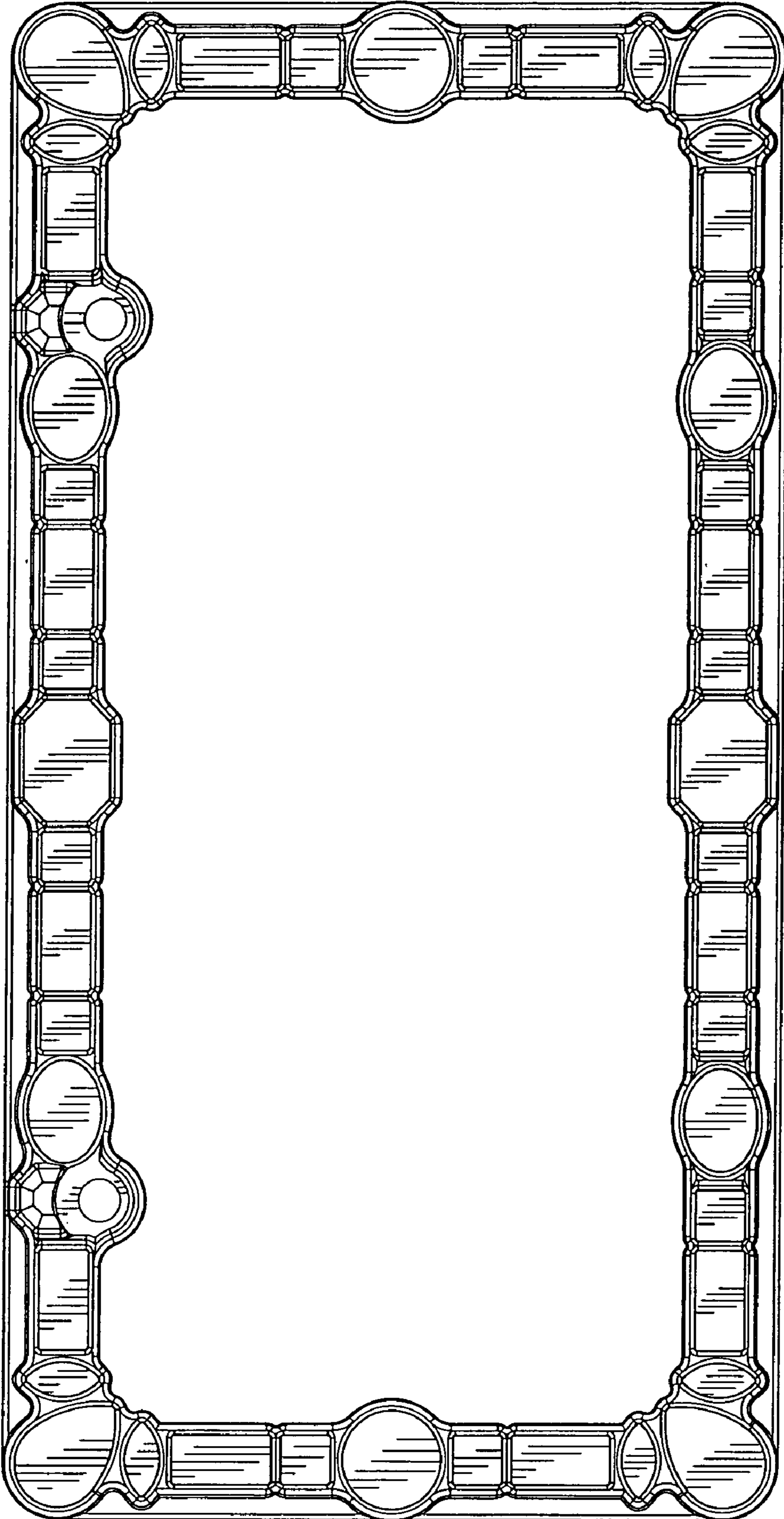


FIG. 2

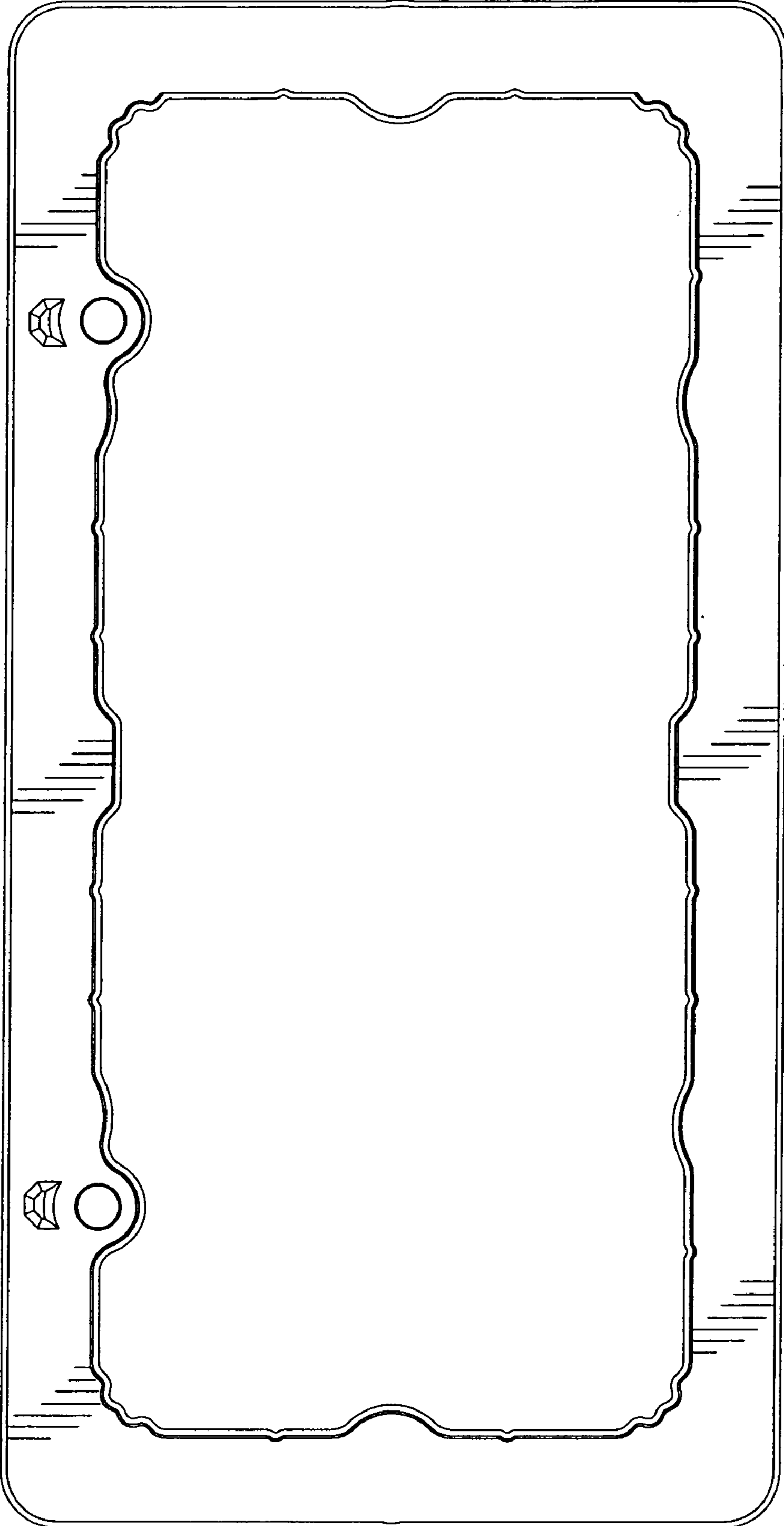


FIG. 3



FIG. 4

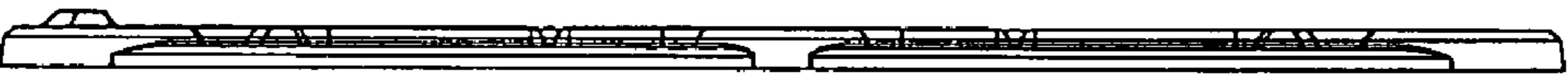


FIG. 5



FIG. 6



FIG. 7