



US00D565487S

(12) **United States Design Patent**  
**Zhang**

(10) **Patent No.:** **US D565,487 S**

(45) **Date of Patent:** **\*\* Apr. 1, 2008**

(54) **BRAKE DISC**

(75) Inventor: **Yinbo Zhang**, Yantai (CN)

(73) Assignee: **Winhere Automotive, Inc.**, Hanover Park, IL (US)

(\*\*) Term: **14 Years**

(21) Appl. No.: **29/265,811**

(22) Filed: **Sep. 8, 2006**

(51) **LOC (8) Cl.** ..... **12-16**

(52) **U.S. Cl.** ..... **D12/180**

(58) **Field of Classification Search** ..... D12/179-180,  
D12/207-209, 400; 188/264 R, 26, 73.1,  
188/24.22, 73.31, 73.32, 73.33, 73.34, 73.35,  
188/73.36, 73.37, 73.38, 73.39, 73.43  
See application file for complete search history.

(56) **References Cited**

U.S. PATENT DOCUMENTS

3,301,356 A	1/1967	Pompa	
4,156,479 A	5/1979	Kawamura	
4,286,694 A	9/1981	Wiseman et al.	
4,821,848 A	4/1989	Izumine	
4,995,500 A	2/1991	Payvar	
D352,020 S *	11/1994	Powers	D12/180
5,474,161 A	12/1995	Eaton et al.	
5,735,366 A	4/1998	Suga et al.	
6,186,293 B1	2/2001	Beer et al.	
D446,756 S	8/2001	York	
D456,326 S	4/2002	York	
D458,198 S	6/2002	Oberti	
D458,567 S *	6/2002	Oberti	D12/180
D458,882 S	6/2002	Oberti	
D459,282 S *	6/2002	Oberti	D12/180
6,446,770 B2	9/2002	Qian et al.	
D471,140 S	3/2003	Oberti	
D497,127 S	10/2004	Veneziano	

D508,666 S *	8/2005	Cornolti et al.	D12/180
D508,882 S	8/2005	Cornolti et al.	
D509,173 S	9/2005	Cornolti et al.	
D513,722 S *	1/2006	Aloy	D12/180
D521,428 S *	5/2006	Campbell et al.	D12/180
D534,112 S *	12/2006	Holstein	D12/209
D538,729 S *	3/2007	Pfeiffer	D12/209
D538,730 S *	3/2007	Thurner et al.	D12/209
D541,717 S *	5/2007	Chen	D12/180
D542,724 S *	5/2007	Thorpe	D12/209

\* cited by examiner

*Primary Examiner*—Caron D. Veynar

*Assistant Examiner*—Abraham Bahta

(74) *Attorney, Agent, or Firm*—Douglas E. Warren

(57) **CLAIM**

The ornamental design for a brake disc, substantially as shown and described.

**DESCRIPTION**

FIG. 1 is a front perspective view of one embodiment of the present invention;

FIG. 2 is a back perspective view of one embodiment of the present invention;

FIG. 3 is a front elevation view of one embodiment of the present invention;

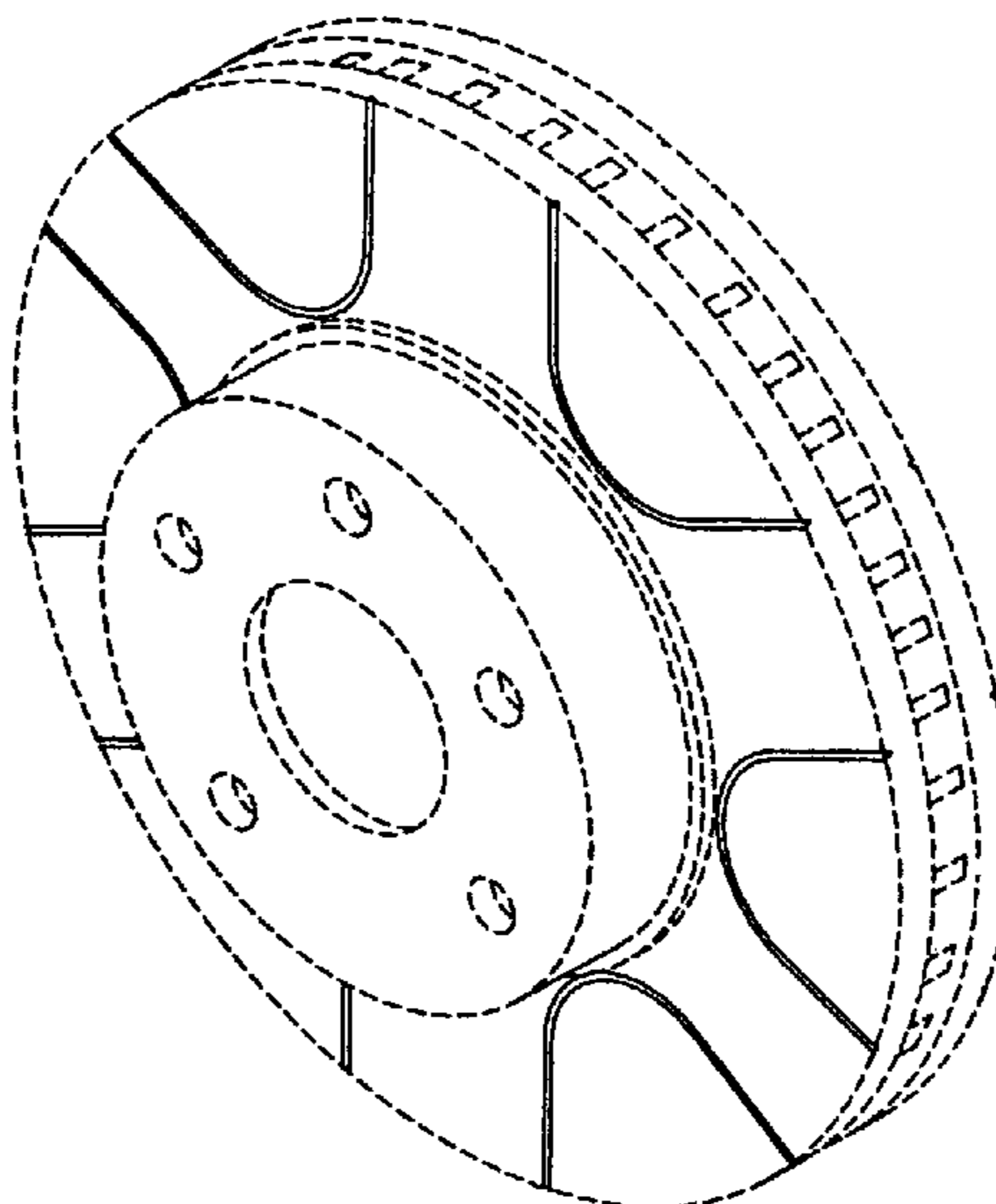
FIG. 4 is a right side elevation view of one embodiment of the present invention;

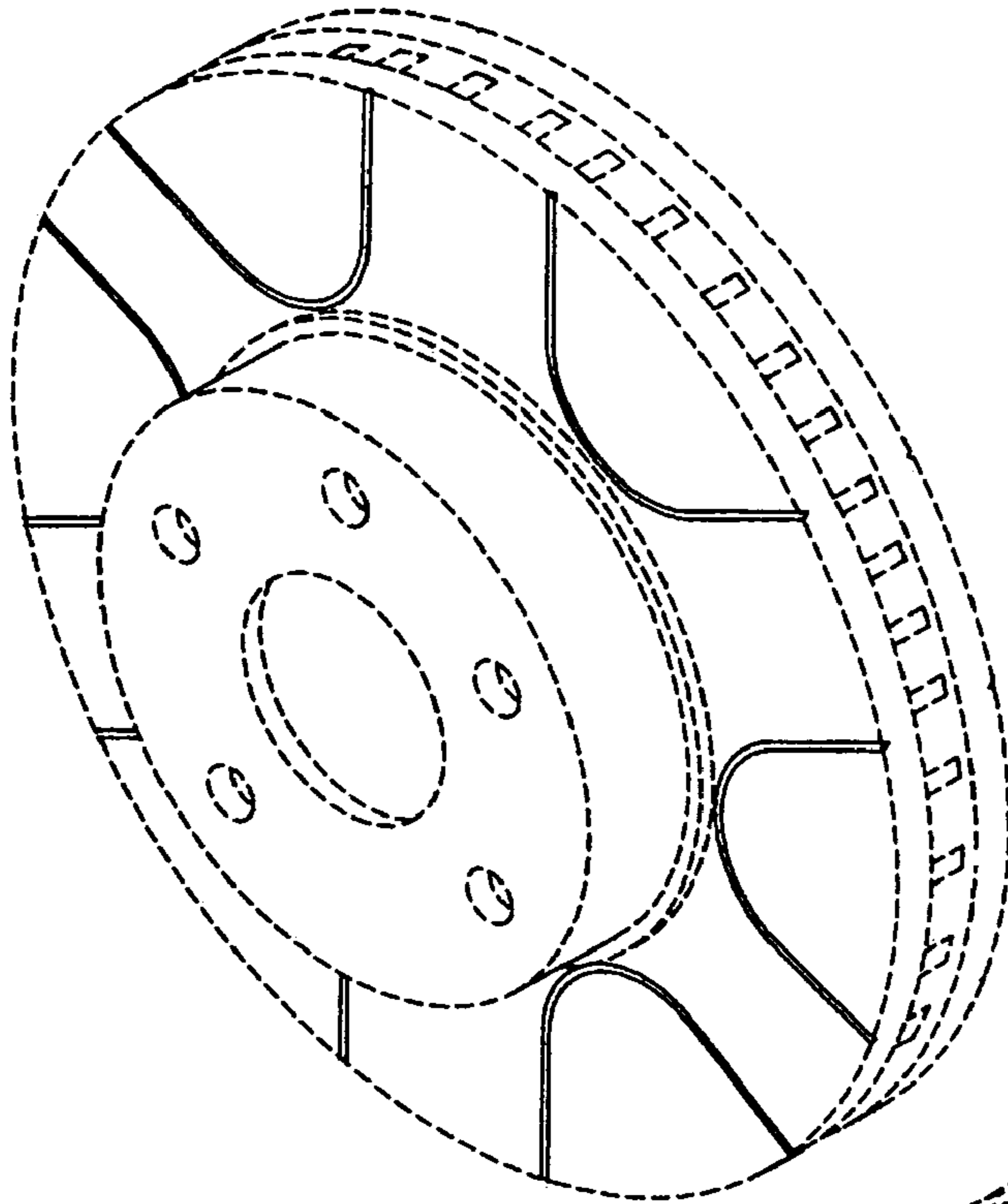
FIG. 5 is a top plan view of one embodiment of the present invention; and,

FIG. 6 is a back elevation view of one embodiment of the present invention.

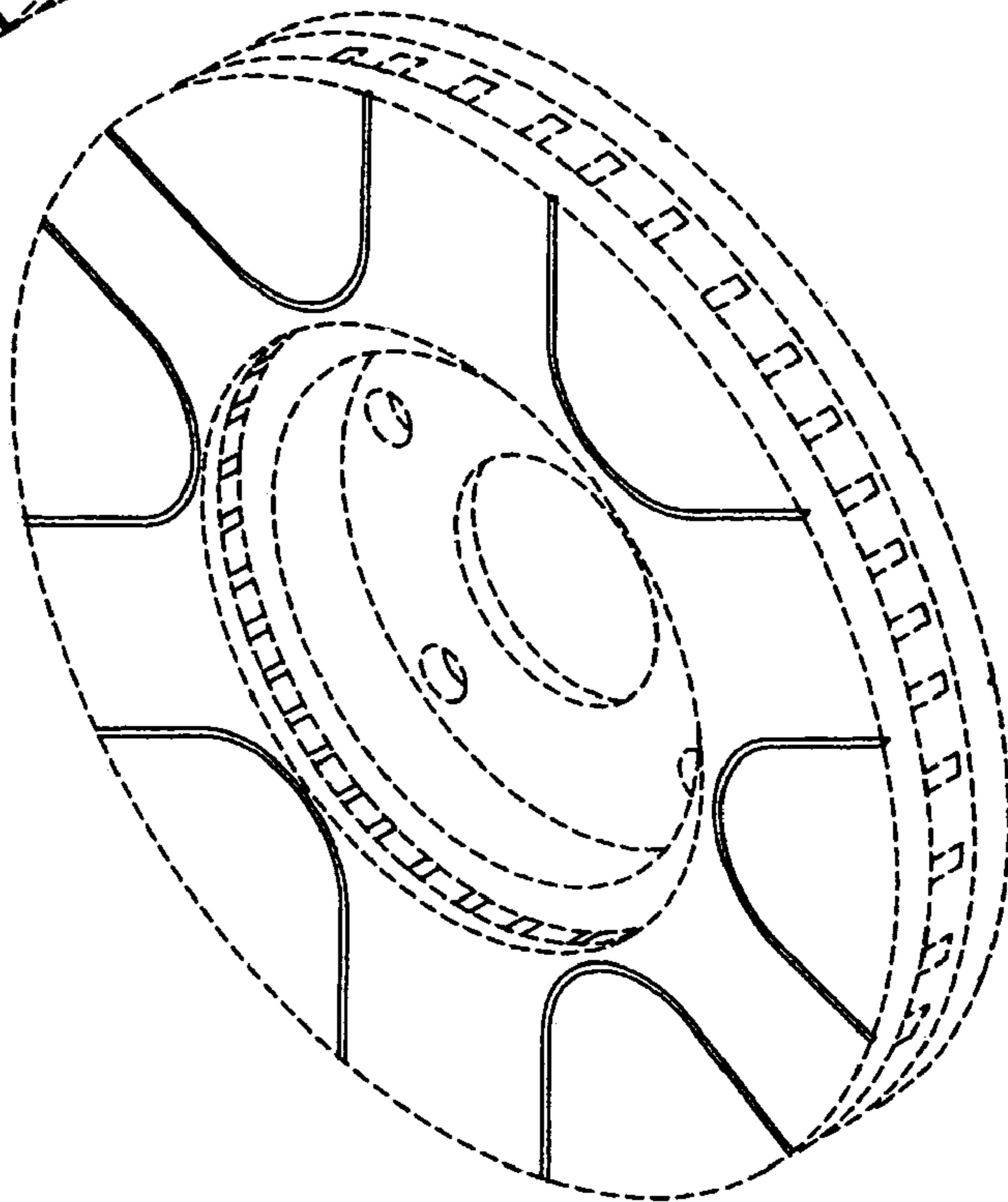
The broken line portions of the disclosure are for illustrative purposes only and form no part of the claimed design.

**1 Claim, 3 Drawing Sheets**

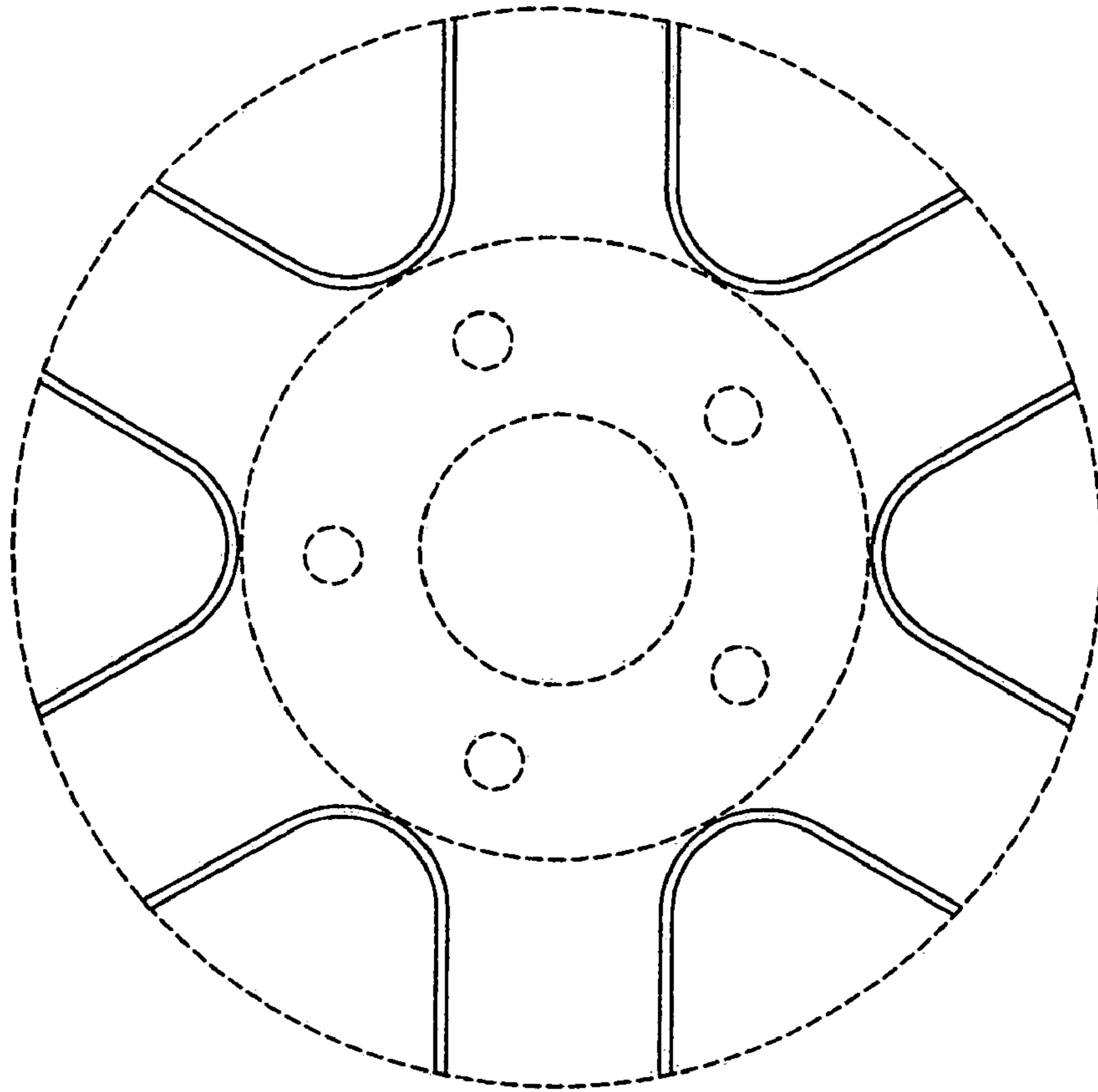




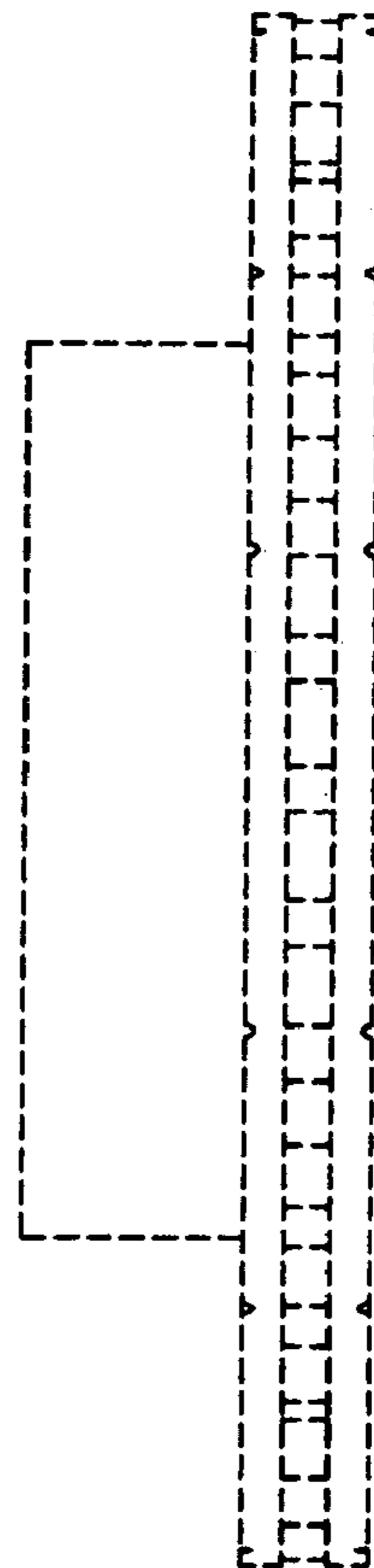
*Fig. 1*



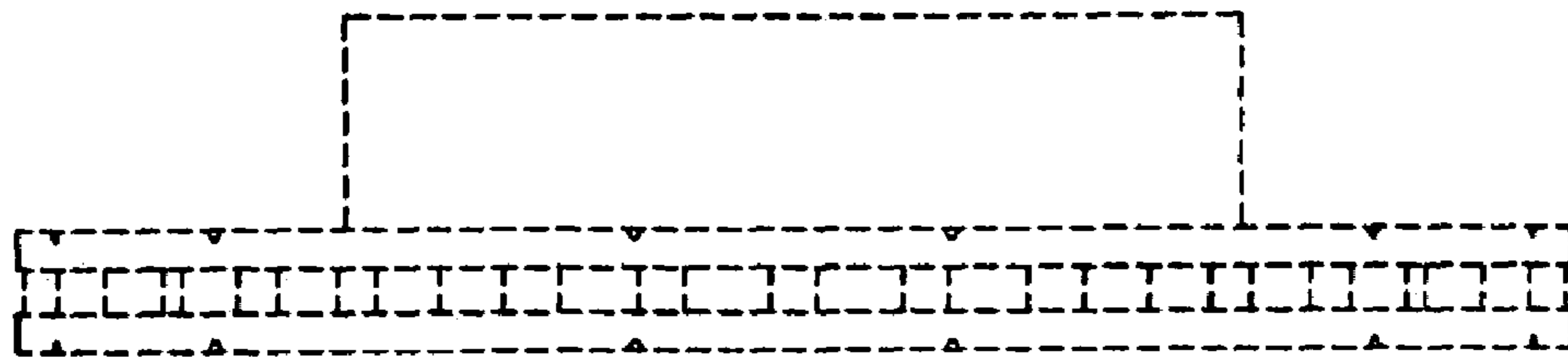
*Fig. 2*



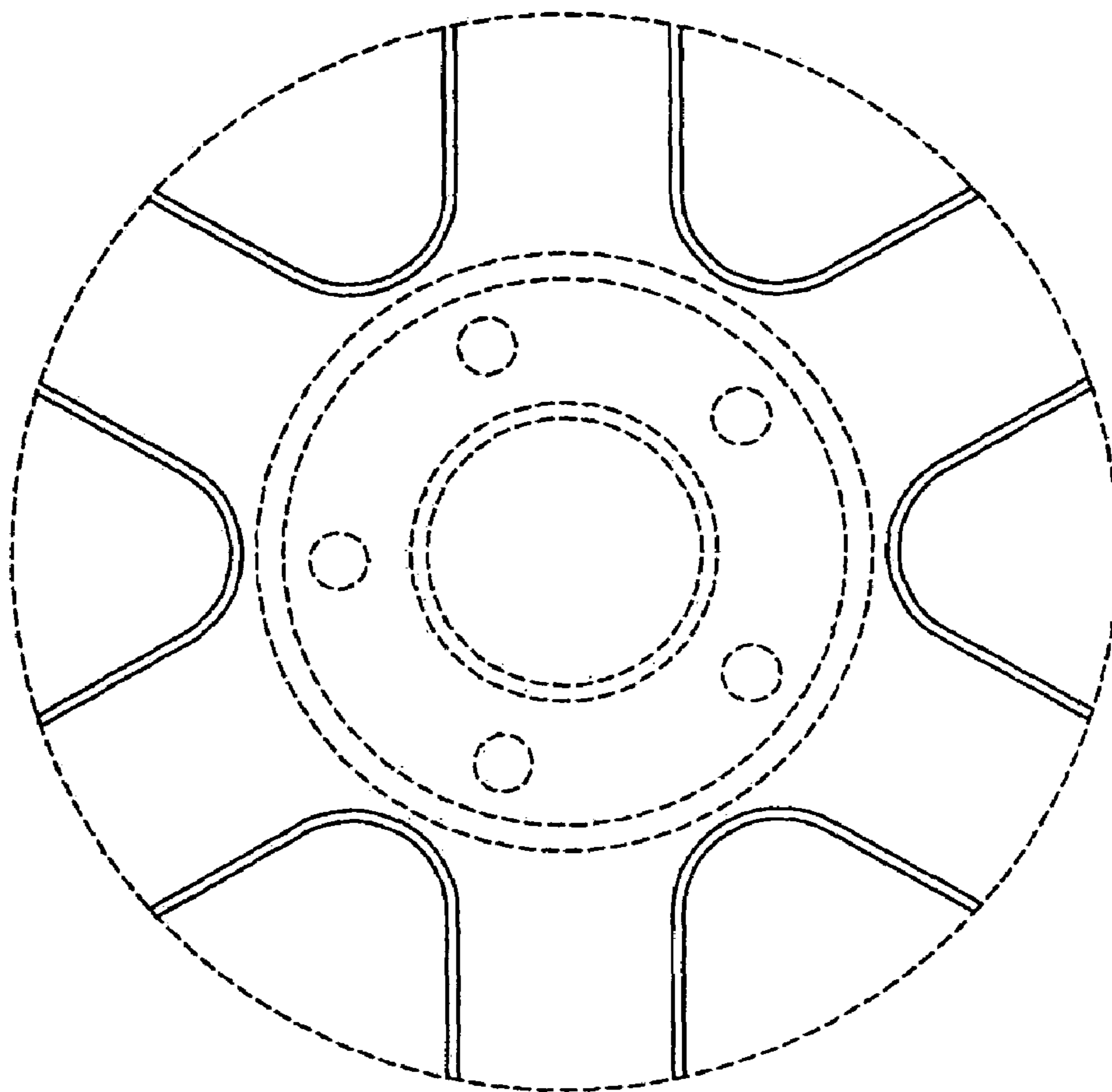
*Fig. 3*



*Fig. 4*



*Fig. 5*



*Fig. 6*