



US00D565483S

(12) **United States Design Patent**  
**Iida**

(10) **Patent No.:** **US D565,483 S**

(45) **Date of Patent:** **\*\* Apr. 1, 2008**

(54) **BUMPER FOR VEHICLE**

(75) Inventor: **Tadayoshi Iida**, Atsugi (JP)

(73) Assignee: **Nissan Motor Co., Ltd.**, Yokohama-shi (JP)

(\*\*) Term: **14 Years**

(21) Appl. No.: **29/274,739**

(22) Filed: **May 18, 2007**

(30) **Foreign Application Priority Data**

Nov. 21, 2006 (JP) ..... D2006-031870

(51) **LOC (8) Cl.** ..... **12-16**

(52) **U.S. Cl.** ..... **D12/169**

(58) **Field of Classification Search** ..... D12/163,  
D12/171, 90-92, 216, 169, 196; 180/68.1,  
180/68.6; 296/193.11; 293/102, 113, 115  
See application file for complete search history.

(56) **References Cited**

**U.S. PATENT DOCUMENTS**

D535,231 S \* 1/2007 Otsubo et al. .... D12/169

D535,233 S \* 1/2007 Kitazumi et al. .... D12/169

D541,713 S \* 5/2007 Mahoney et al. .... D12/169

D541,715 S \* 5/2007 Ishizuka ..... D12/169

D550,129 S \* 9/2007 Koizumi et al. .... D12/169

D555,053 S \* 11/2007 Endo et al. .... D12/169

\* cited by examiner

*Primary Examiner*—Melody N. Brown

(74) *Attorney, Agent, or Firm*—Foley & Lardner LLP

(57) **CLAIM**

The ornamental design for a bumper for vehicle, as shown and described.

**DESCRIPTION**

FIG. 1 is a perspective view of a bumper for vehicle;

FIG. 2 is a front view thereof;

FIG. 3 is a rear view thereof;

FIG. 4 is a top plan view thereof;

FIG. 5 is a bottom plan view thereof;

FIG. 6 is a right side view thereof; and,

FIG. 7 is a left side view thereof.

**1 Claim, 3 Drawing Sheets**

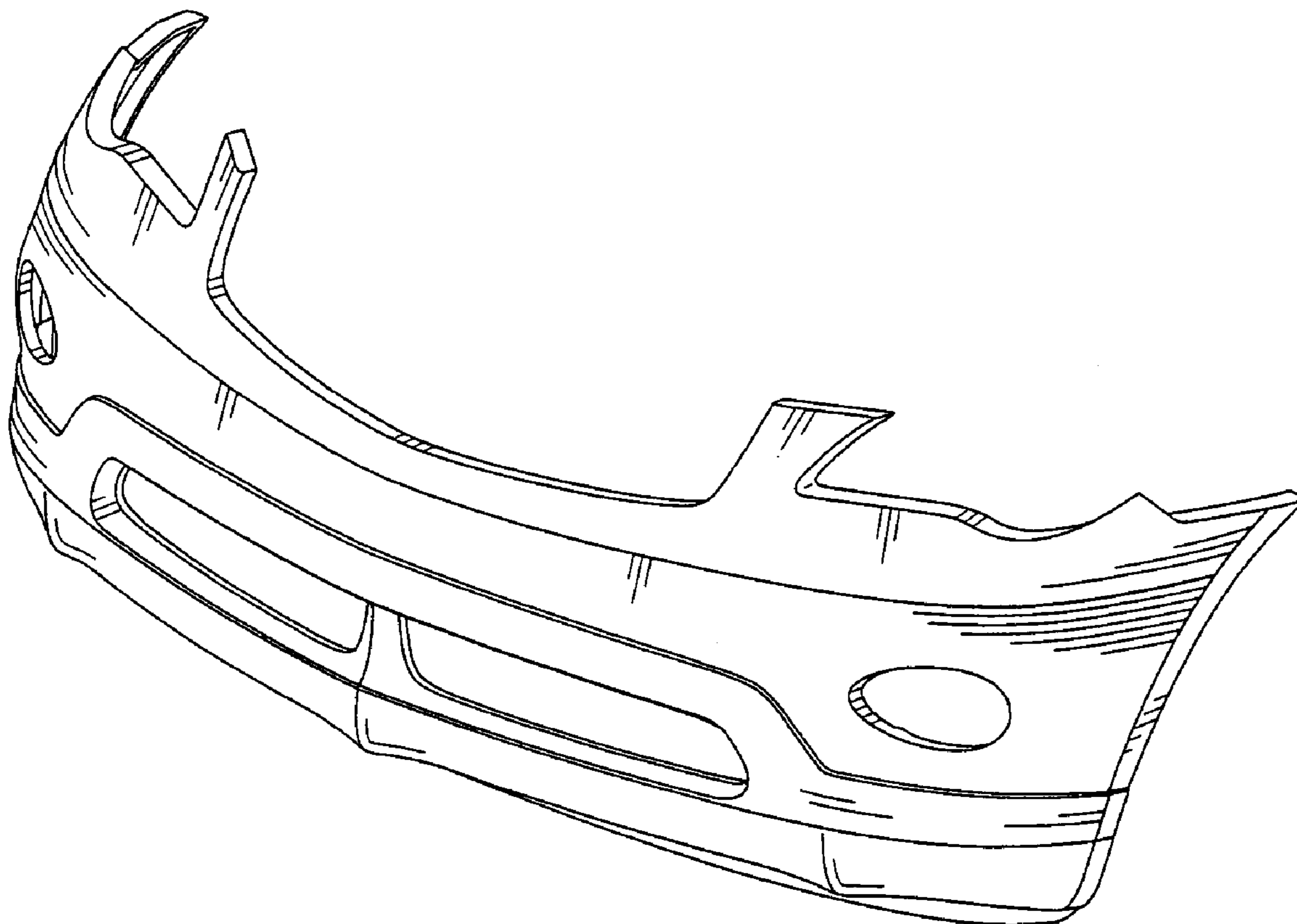


Fig.1

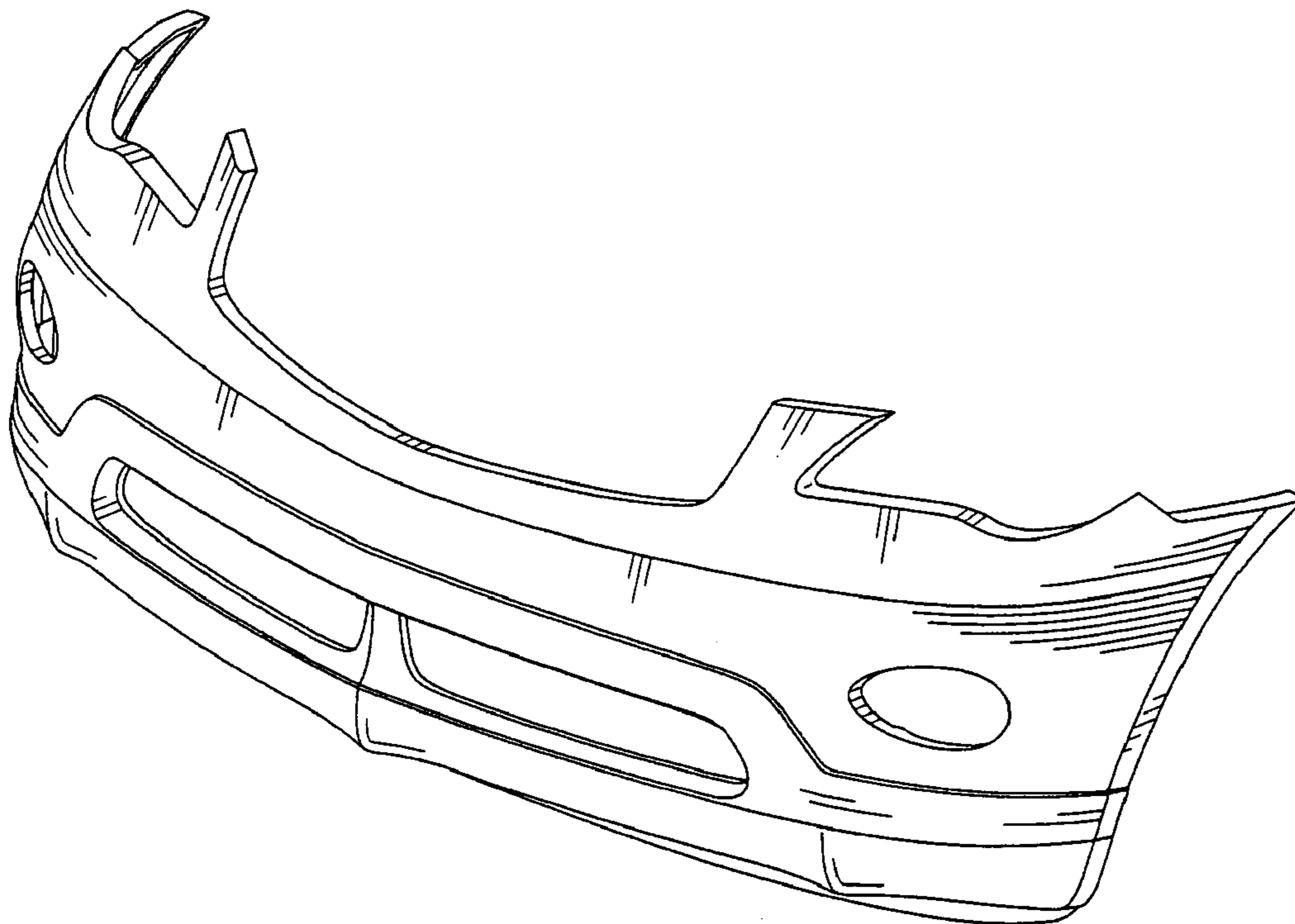


Fig.2

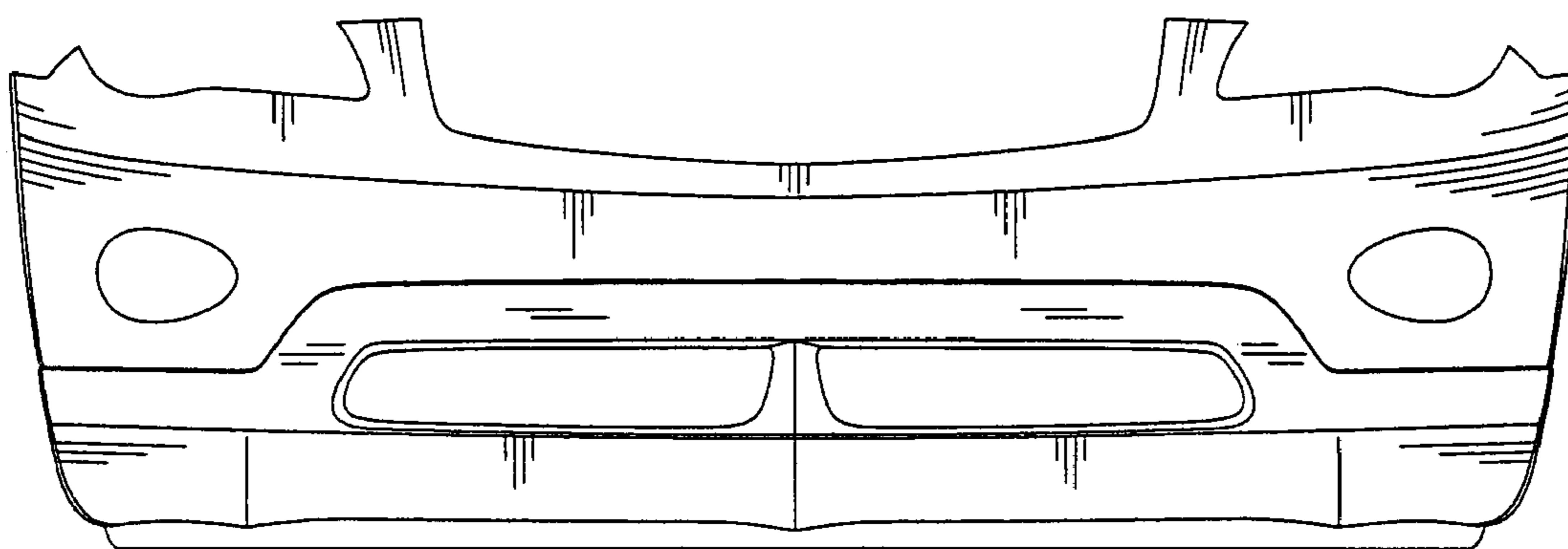


Fig.3

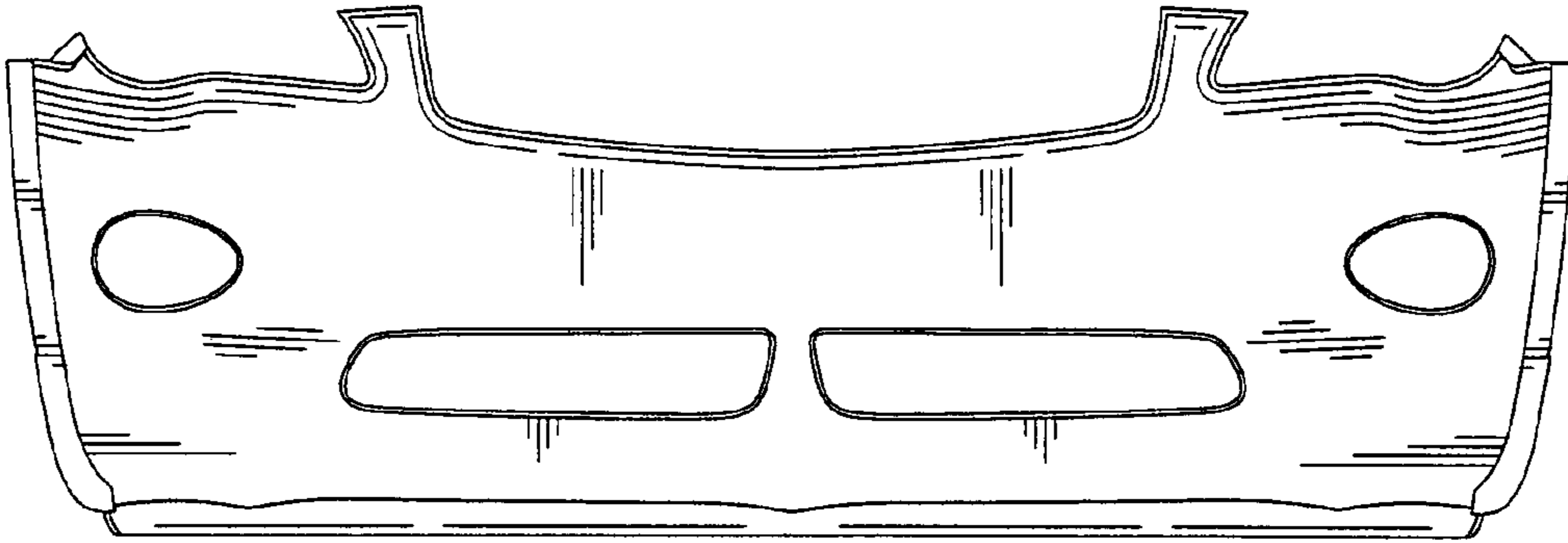


Fig.4

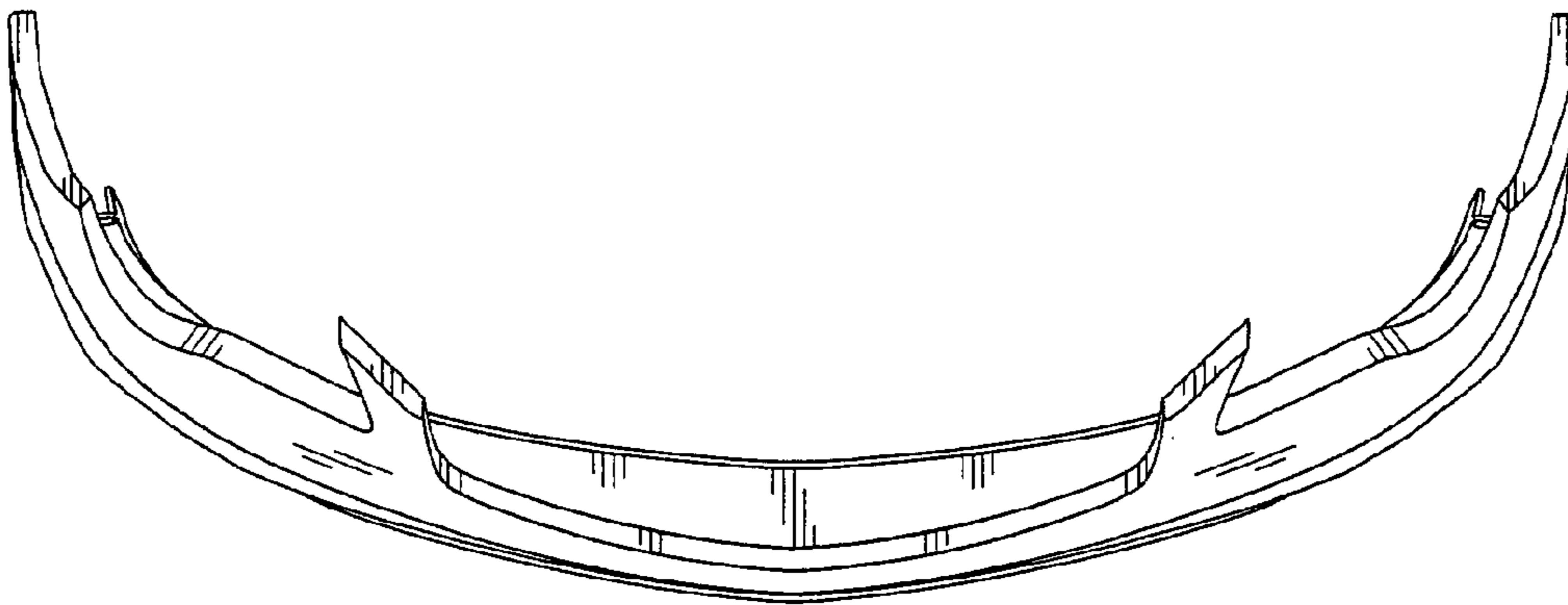


Fig.5

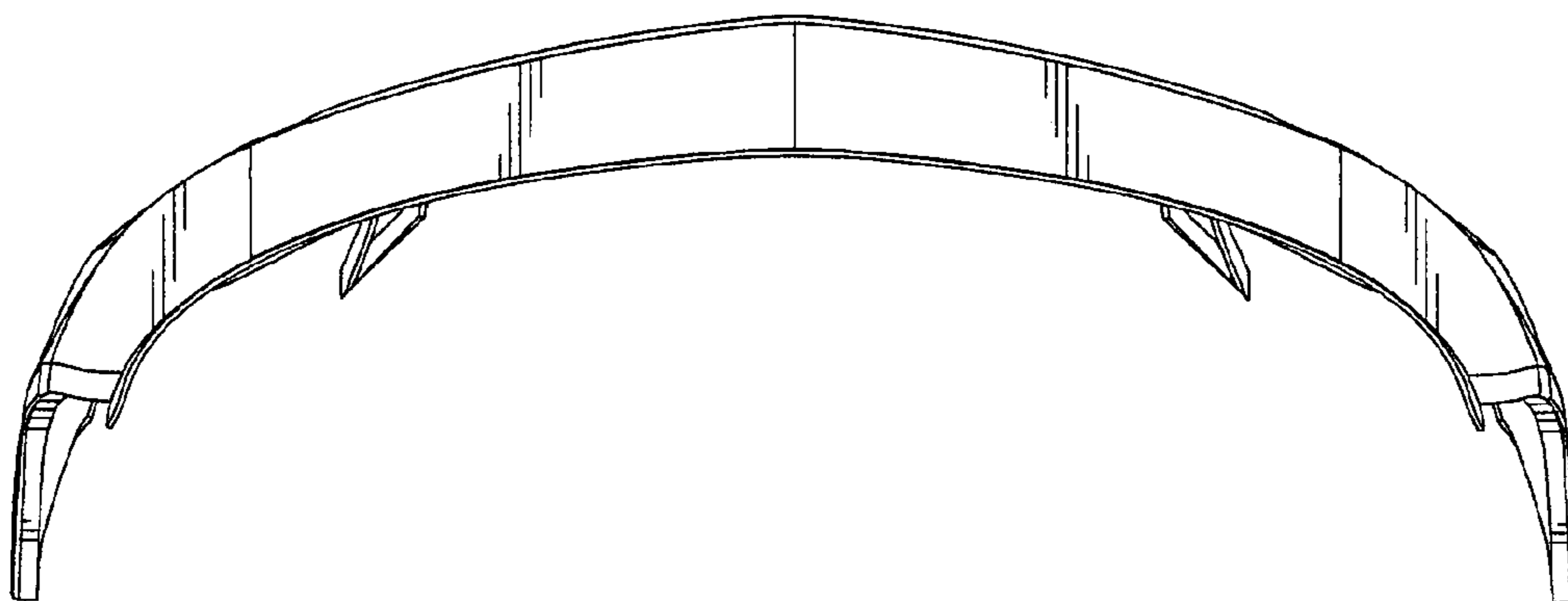


Fig.6

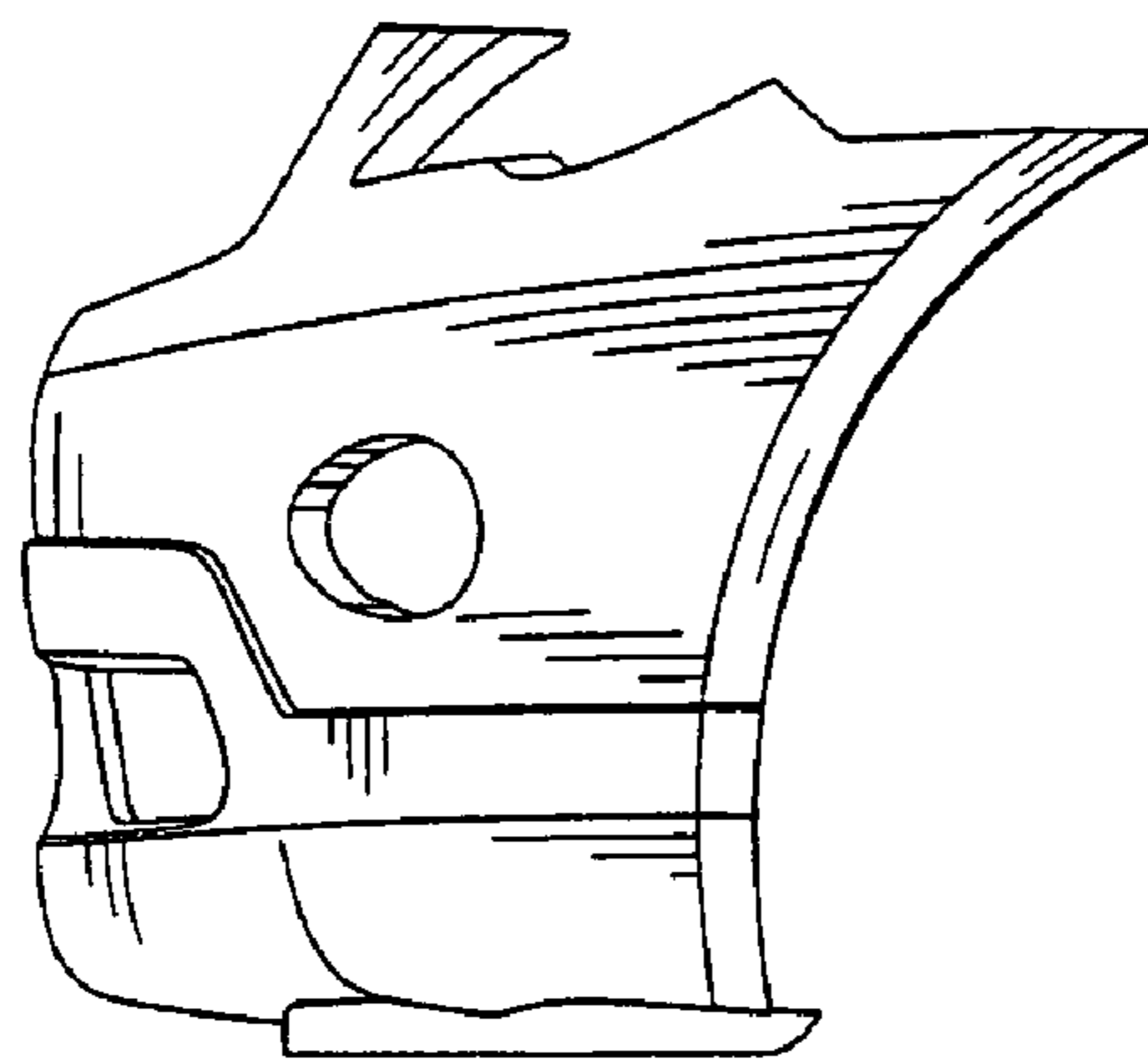


Fig.7

