

US00D565482S

(12) **United States Design Patent**
Abe

(10) **Patent No.:** **US D565,482 S**

(45) **Date of Patent:** **** Apr. 1, 2008**

(54) **BUMPER FOR VEHICLE**

(75) Inventor: **Toshiyuki Abe**, Fujisawa (JP)

(73) Assignee: **Nissan Motor Co., Ltd.**, Yokohama-shi (JP)

(**) Term: **14 Years**

(21) Appl. No.: **29/274,738**

(22) Filed: **May 18, 2007**

(30) **Foreign Application Priority Data**

Nov. 24, 2006 (JP) D2006-032146

(51) **LOC (8) Cl.** **12-16**

(52) **U.S. Cl.** **D12/169**

(58) **Field of Classification Search** D12/163,
D12/171, 90-92, 216, 169, 196; 180/68.1,
180/68.6; 296/193.11; 293/102, 113, 115
See application file for complete search history.

(56) **References Cited**

U.S. PATENT DOCUMENTS

D533,820 S * 12/2006 Sonoda et al. D12/169

D537,020 S * 2/2007 Nakamura et al. D12/169

D539,710 S * 4/2007 Kouyama D12/169

D541,715 S * 5/2007 Ishizuka D12/169

D543,912 S * 6/2007 Kato et al. D12/169

D544,415 S * 6/2007 Okamoto D12/169

D548,146 S * 8/2007 Schiavone et al. D12/169

* cited by examiner

Primary Examiner—Melody N Brown

(74) *Attorney, Agent, or Firm*—Foley & Lardner LLP

(57) **CLAIM**

The ornamental design for a bumper for vehicle, as shown and described.

DESCRIPTION

FIG. 1 is a perspective view of a bumper for vehicle;

FIG. 2 is a front view thereof;

FIG. 3 is a rear view thereof;

FIG. 4 is a top plan view thereof;

FIG. 5 is a bottom plan view thereof;

FIG. 6 is a right side view thereof; and,

FIG. 7 is a left side view thereof.

1 Claim, 3 Drawing Sheets

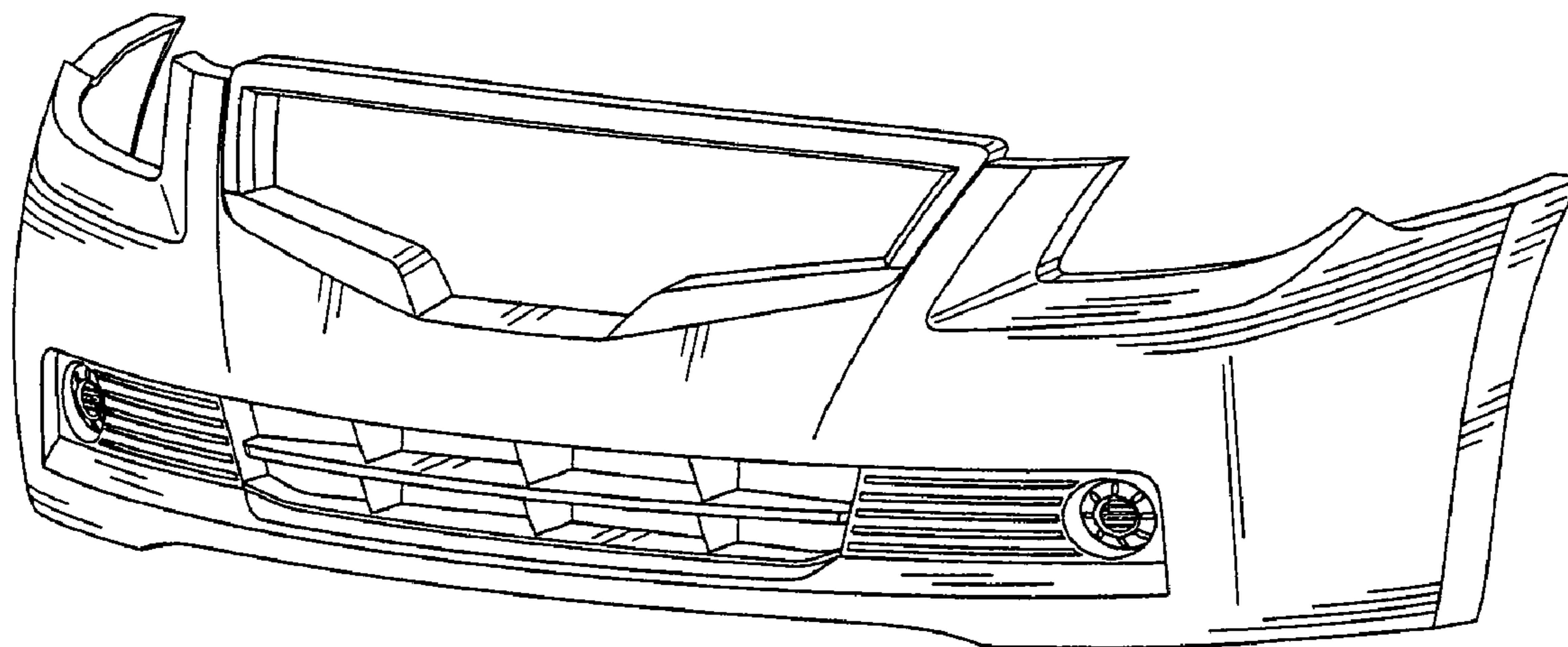


Fig.1

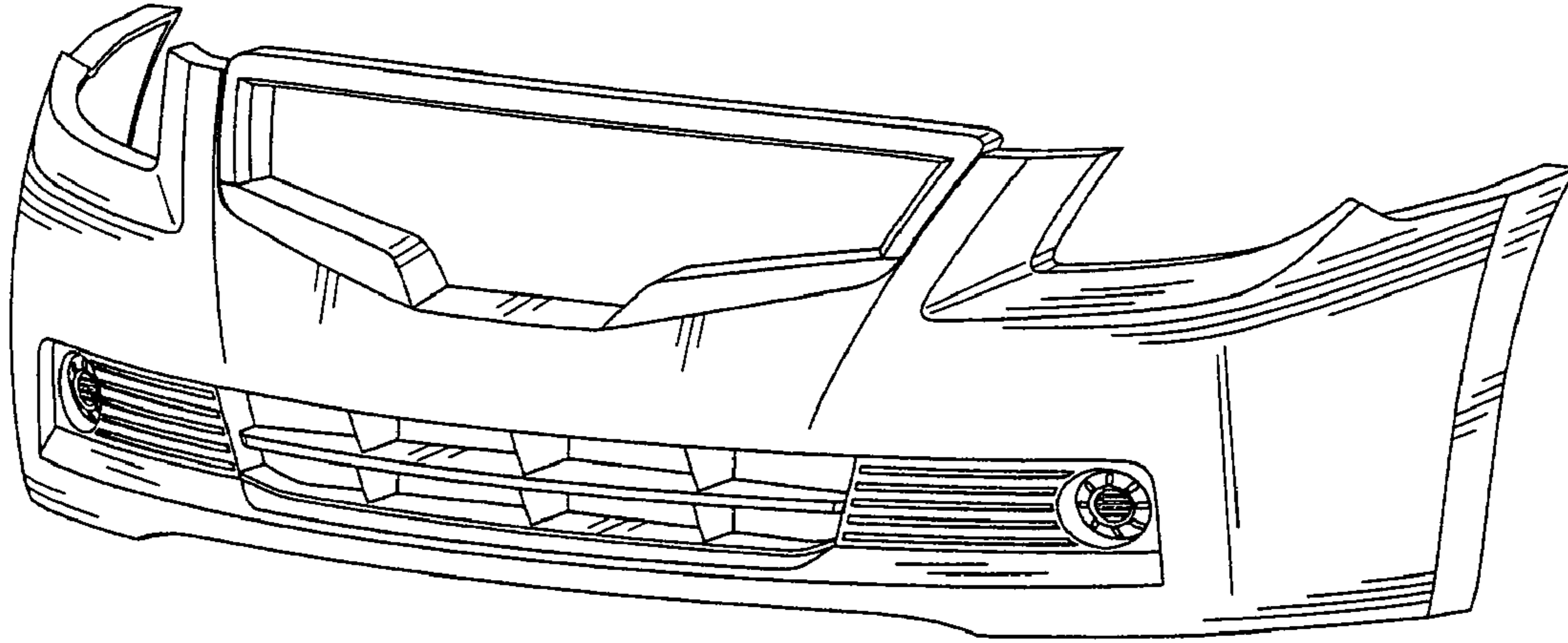


Fig.2

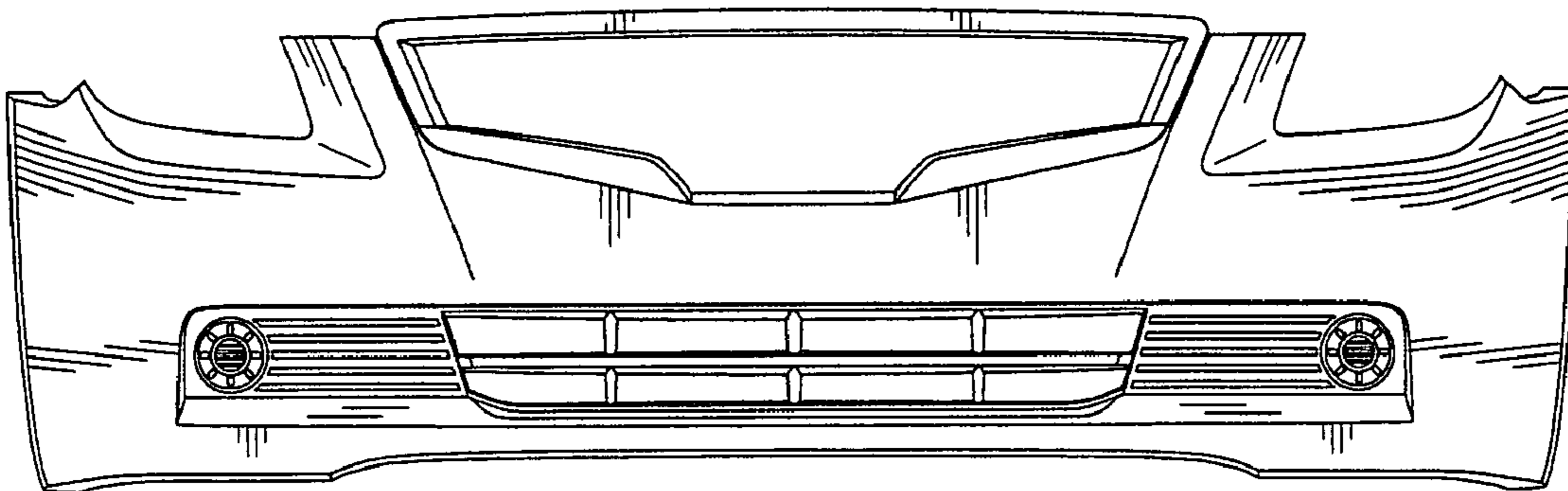


Fig.3

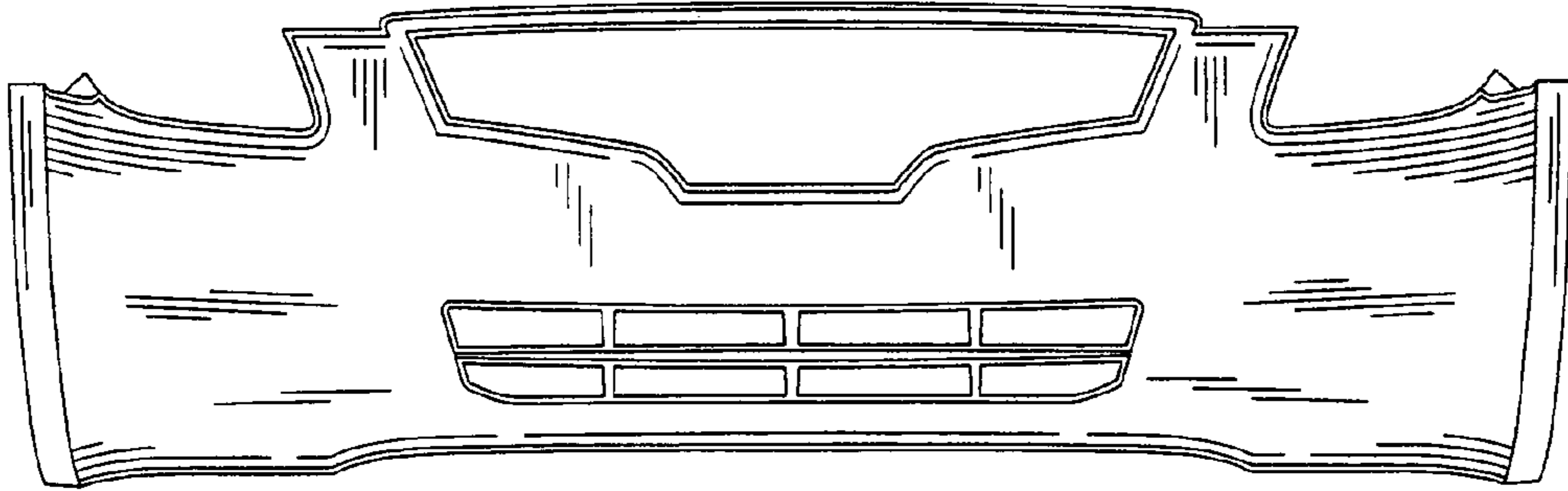


Fig.4

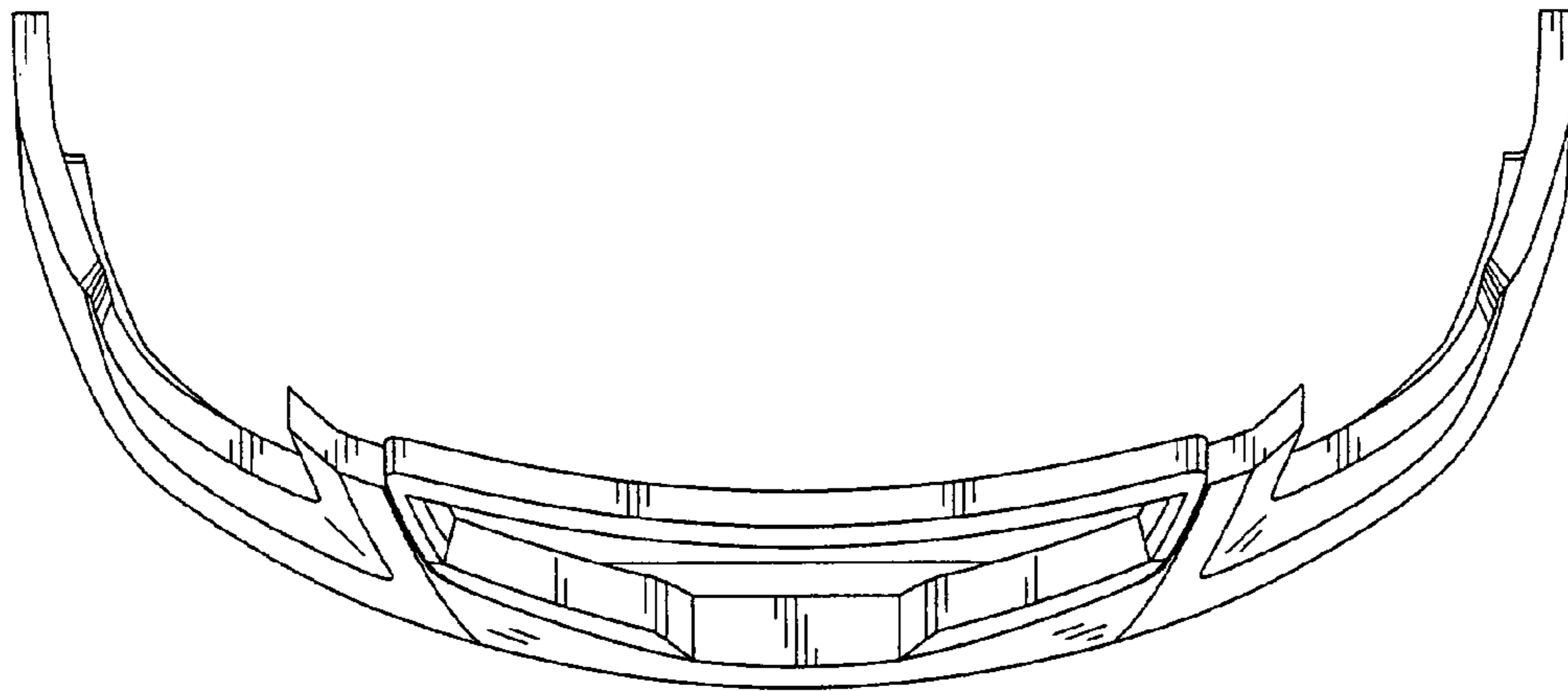


Fig.5

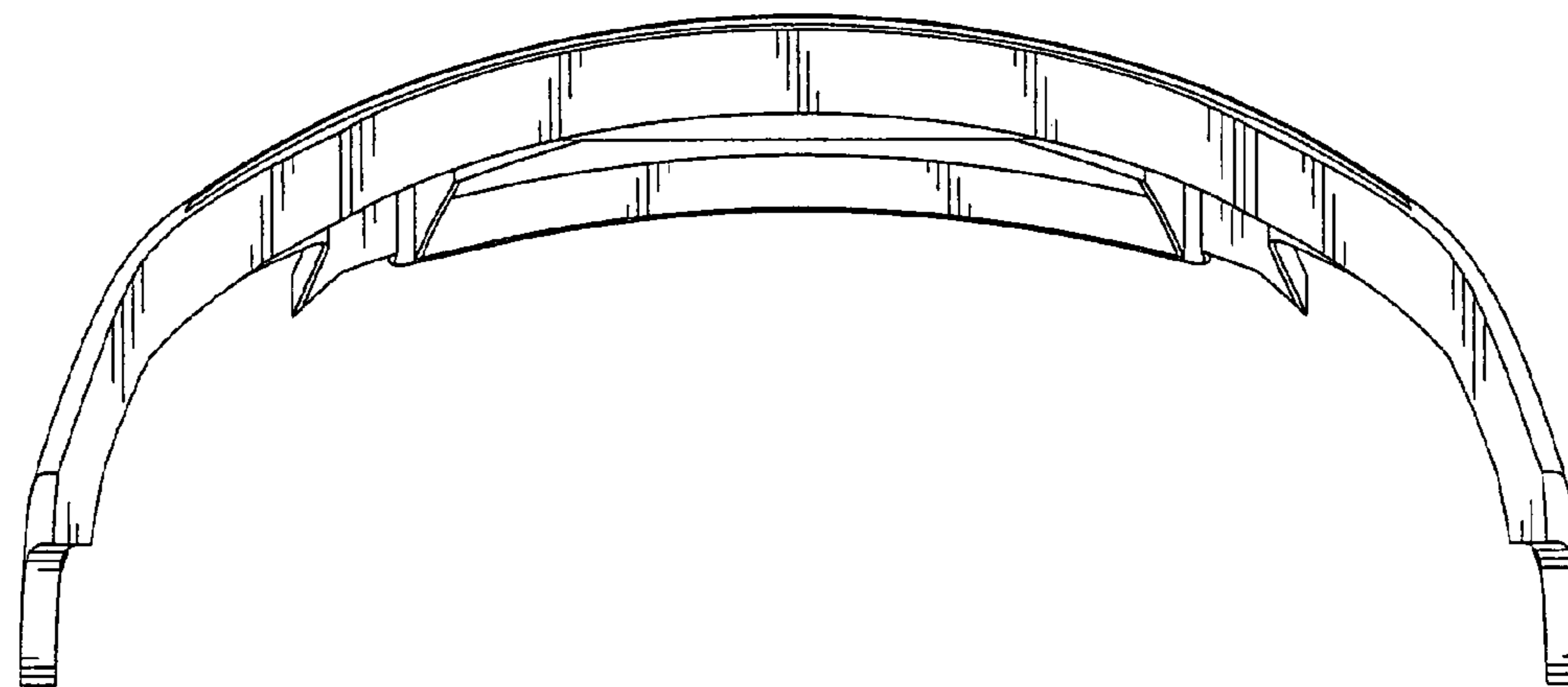


Fig.6

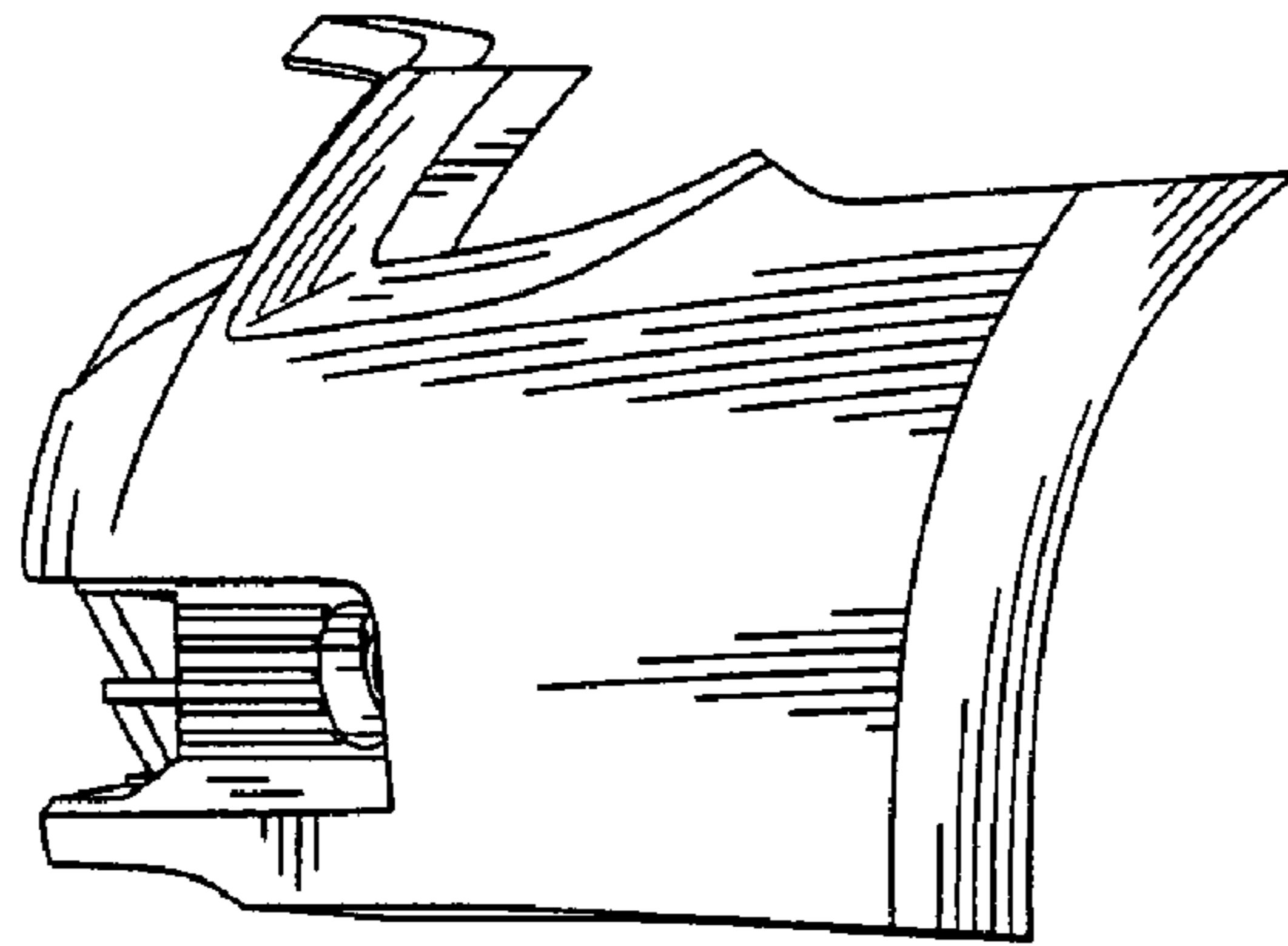


Fig.7

