

US00D565481S

(12) **United States Design Patent**
Ohishi et al.

(10) **Patent No.:** **US D565,481 S**

(45) **Date of Patent:** **** Apr. 1, 2008**

(54) **FRONT BUMPER FOR AN AUTOMOBILE**

(75) Inventors: **Etsuya Ohishi**, Toyota (JP); **Nobuyuki Tomatsu**, Toyota (JP); **Mitsushi Kintaka**, Kariya (JP); **Shogo Tokutake**, Kariya (JP); **Yoshimune Mayuzumi**, Nagoya (JP)

(73) Assignee: **Toyota Jidosha Kabushiki Kaisha**, Toyota (JP)

(**) Term: **14 Years**

(21) Appl. No.: **29/274,371**

(22) Filed: **Apr. 20, 2007**

(51) **LOC (8) Cl.** **12-16**

(52) **U.S. Cl.** **D12/169**

(58) **Field of Classification Search** D12/90-92,
D12/86, 169, 196, 163; 296/193.1, 181.1;
293/102, 113, 115, 117, 120
See application file for complete search history.

(56) **References Cited**

U.S. PATENT DOCUMENTS

D473,167 S	4/2003	Shiono	
D515,475 S *	2/2006	Harada et al.	D12/169
D516,473 S *	3/2006	Kawasaki	D12/169
D516,967 S *	3/2006	Tomida et al.	D12/169

OTHER PUBLICATIONS

Brochure of Elgrand Highway Star; Nissan Elgrand Highway Star; Nissan Motor Co., Ltd.; May 2002.

Brochure of Kluger Hybrid; Toyota Kluger Hybrid; Toyota Jidosha Kabushiki Kaisha; Mar. 2005.

All About Mazda New Premacy, Mazda Premacy, published by San-eishobo Publishing Co., Ltd., Apr. 6, 2005.

Brochure of Corolla Spacio, May 2001.

* cited by examiner

Primary Examiner—Melody N. Brown

(74) *Attorney, Agent, or Firm*—Finnegan, Henderson, Farabow, Garrett & Dunner, L.L.P.

(57) **CLAIM**

The ornamental design for a front bumper for an automobile, as shown and described.

DESCRIPTION

FIG. 1 is a right-front, perspective view of a front bumper for an automobile of our new design;

FIG. 2 is a front view thereof;

FIG. 3 is a top view thereof;

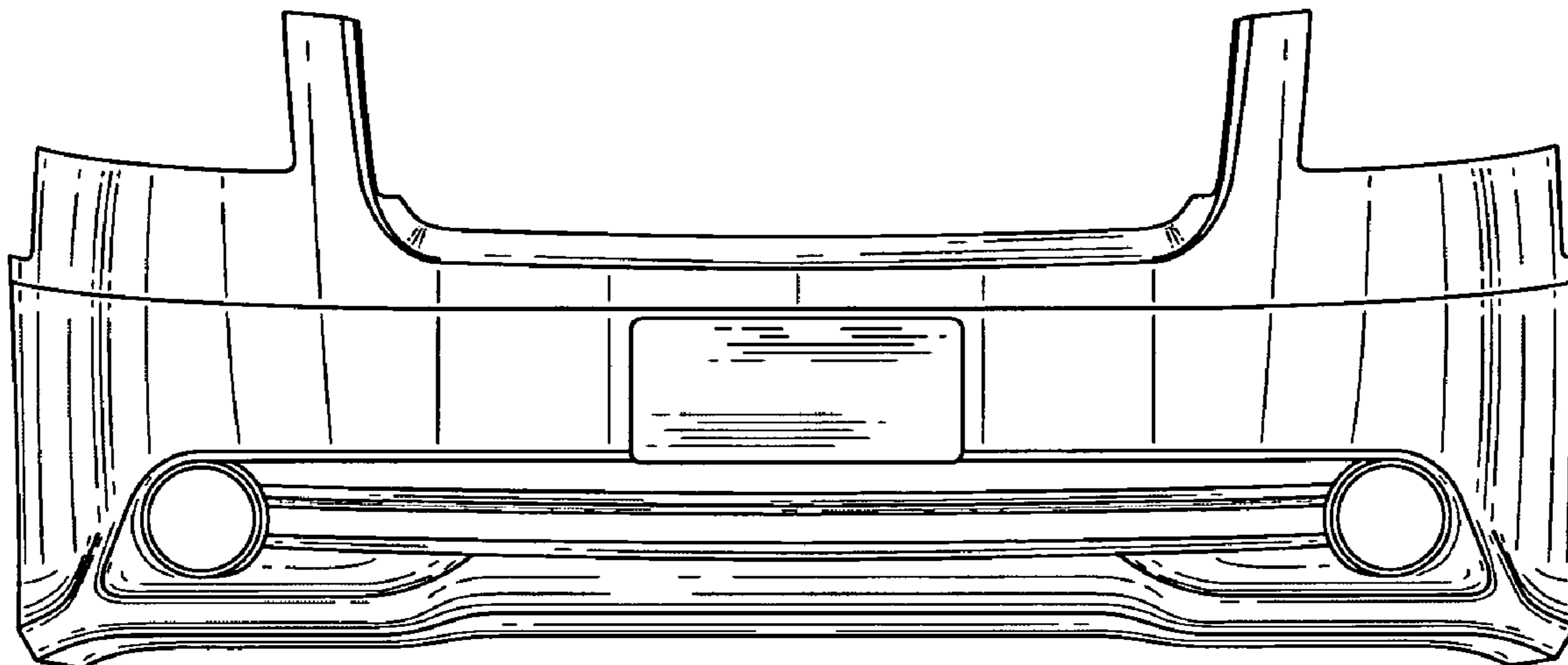
FIG. 4 is a bottom view thereof;

FIG. 5 is a right-side view thereof; and,

FIG. 6 is a left-side view thereof.

The rear of the bumper is not seen during ordinary use and forms no part of the claimed design.

1 Claim, 4 Drawing Sheets



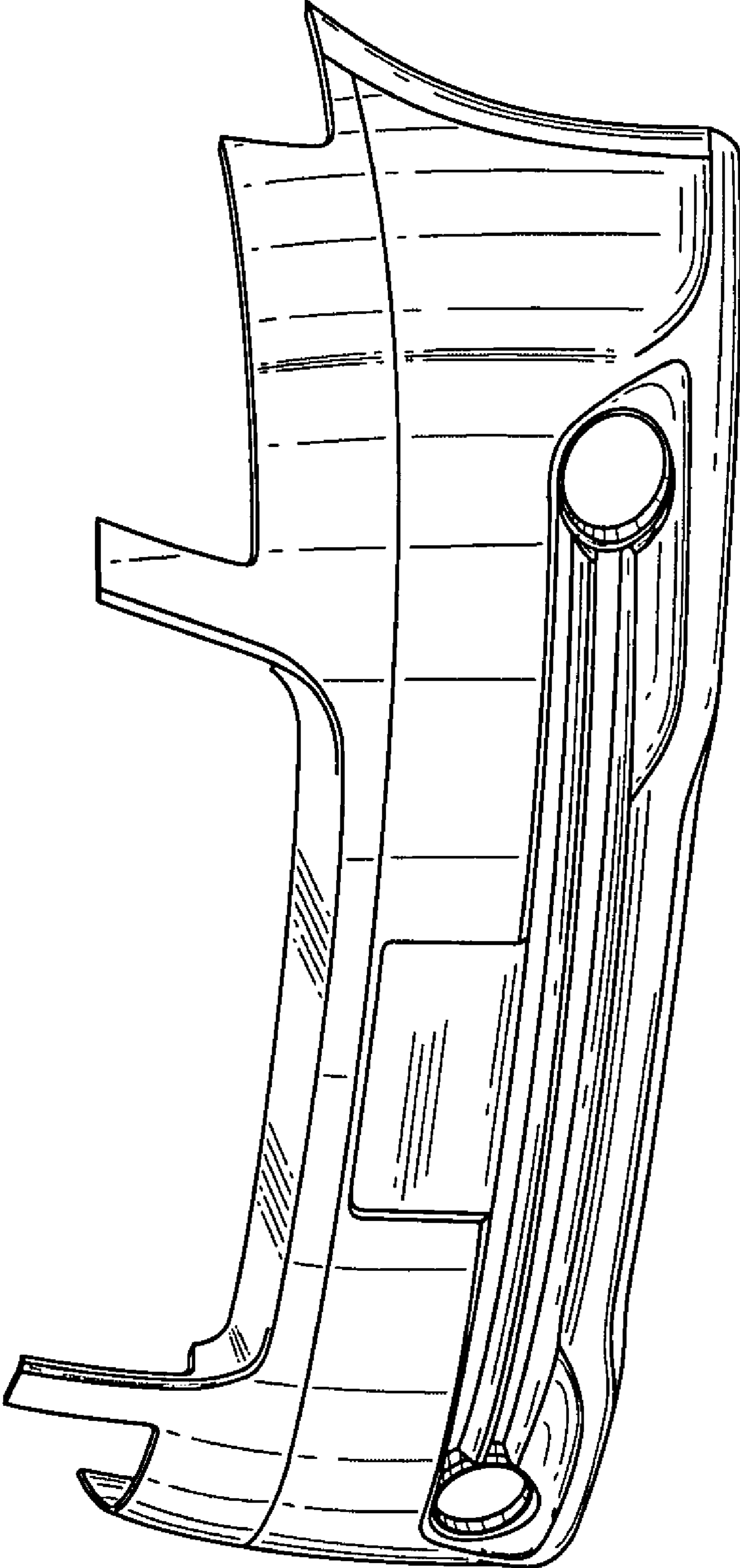


FIG. 1

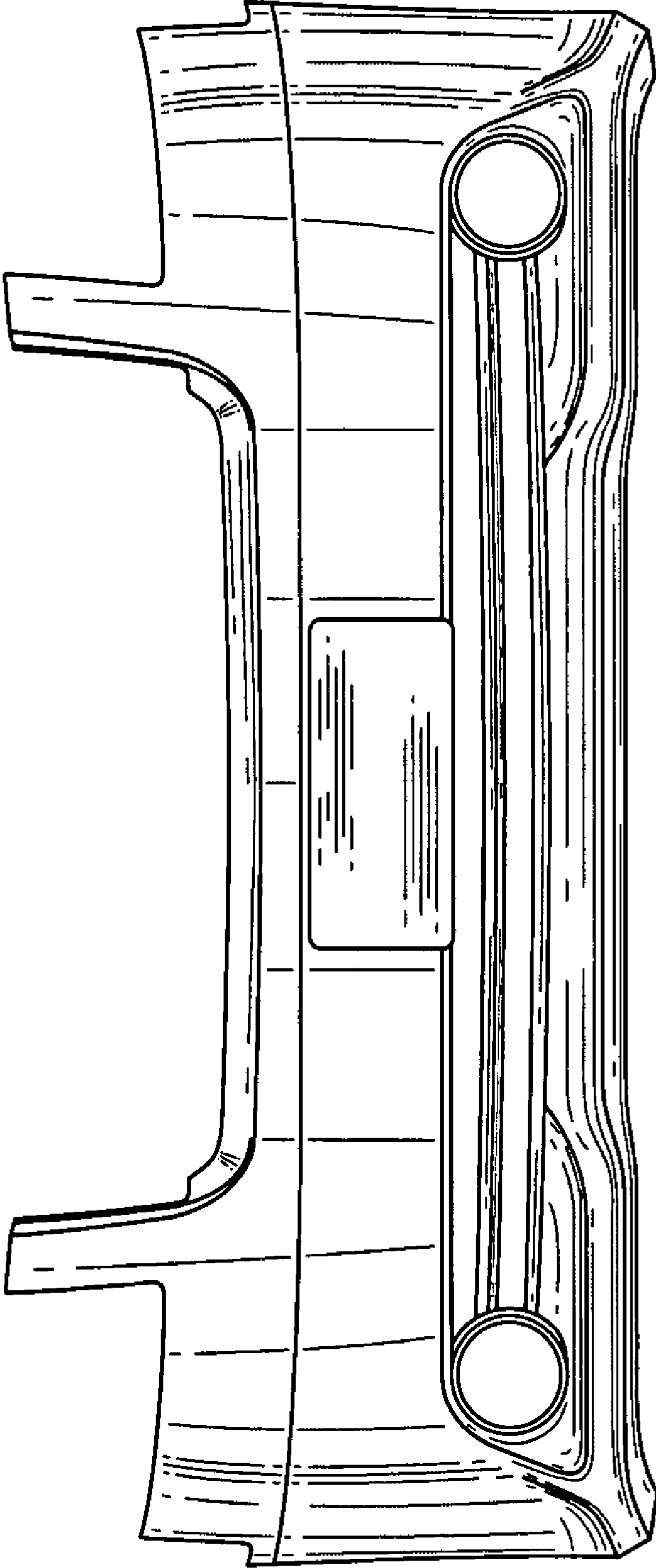


FIG. 2

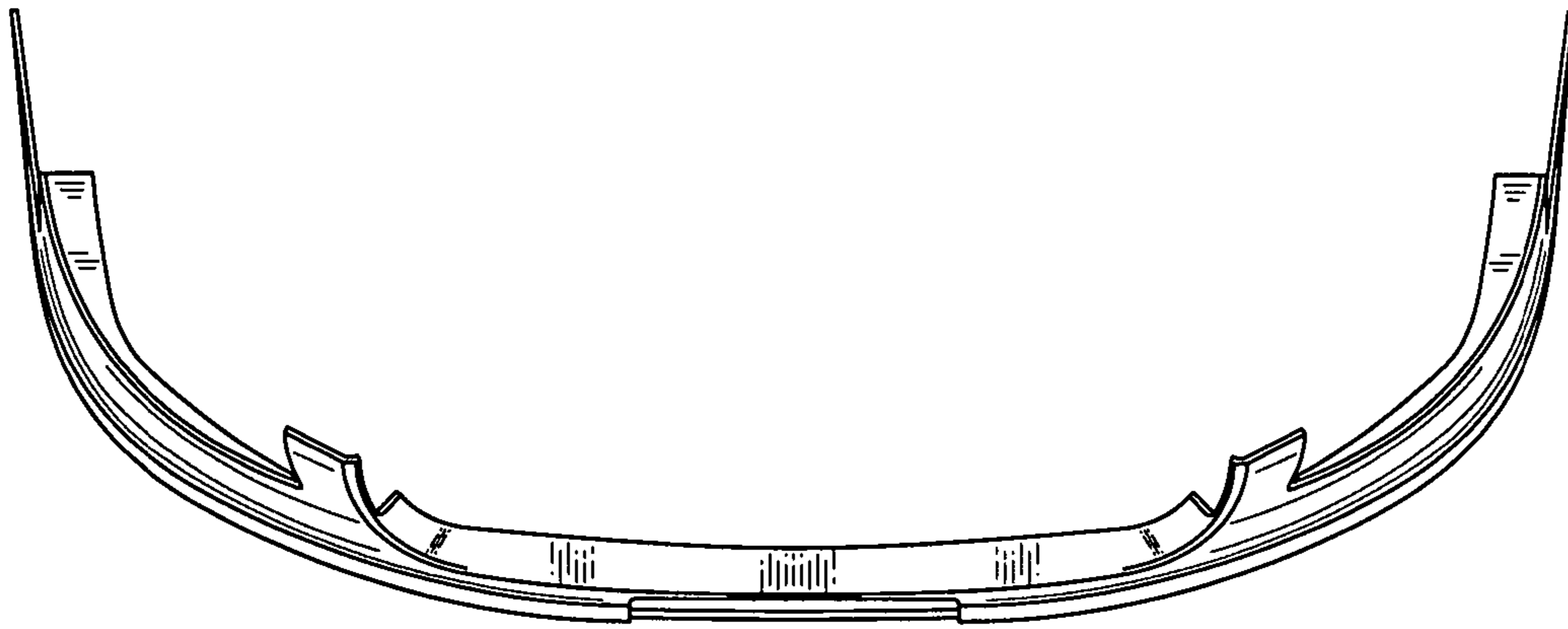


FIG. 3

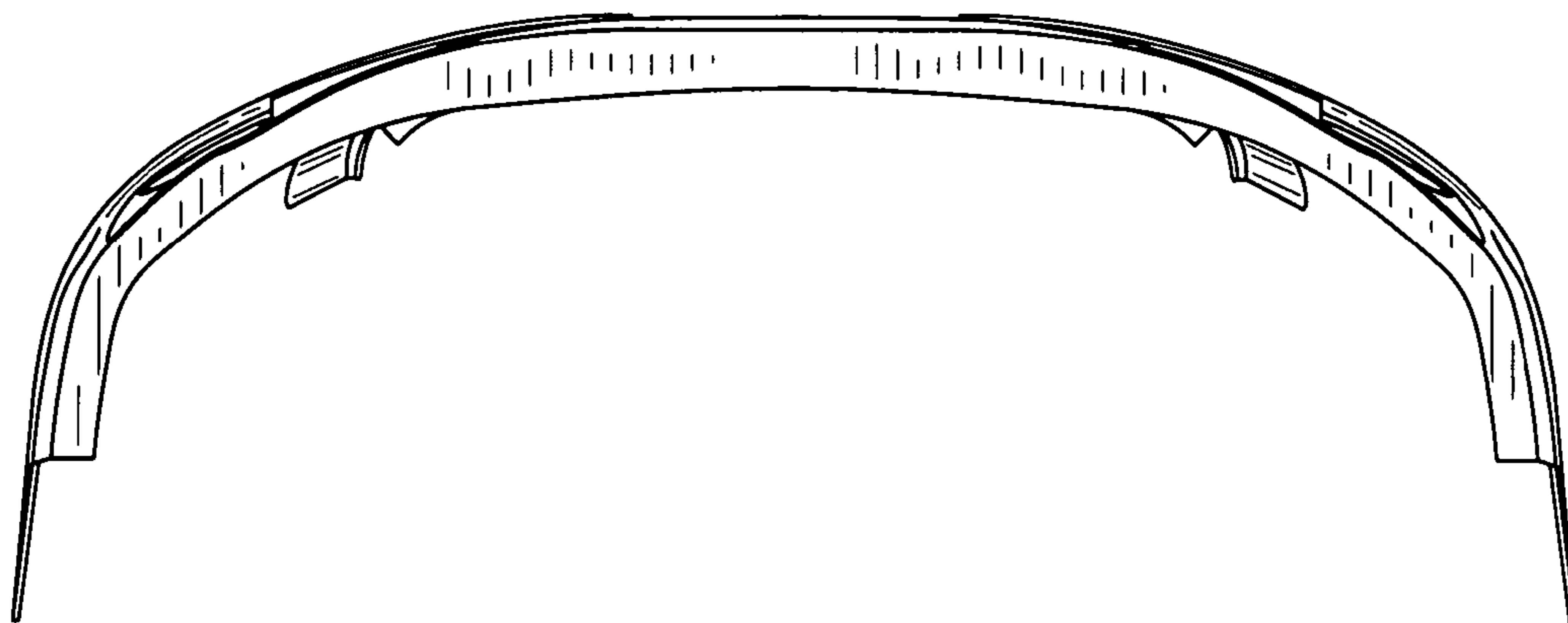


FIG. 4

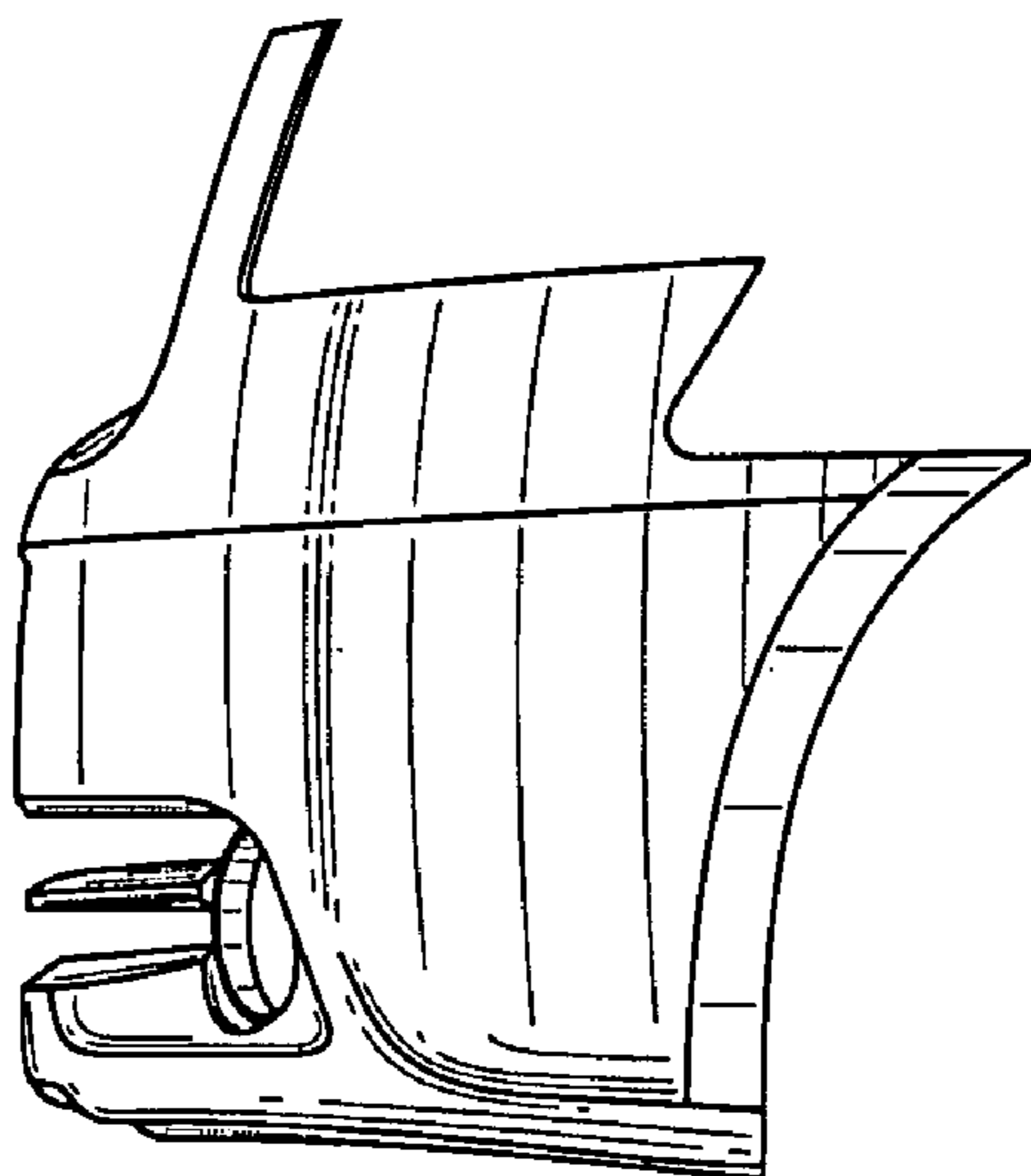


FIG. 5

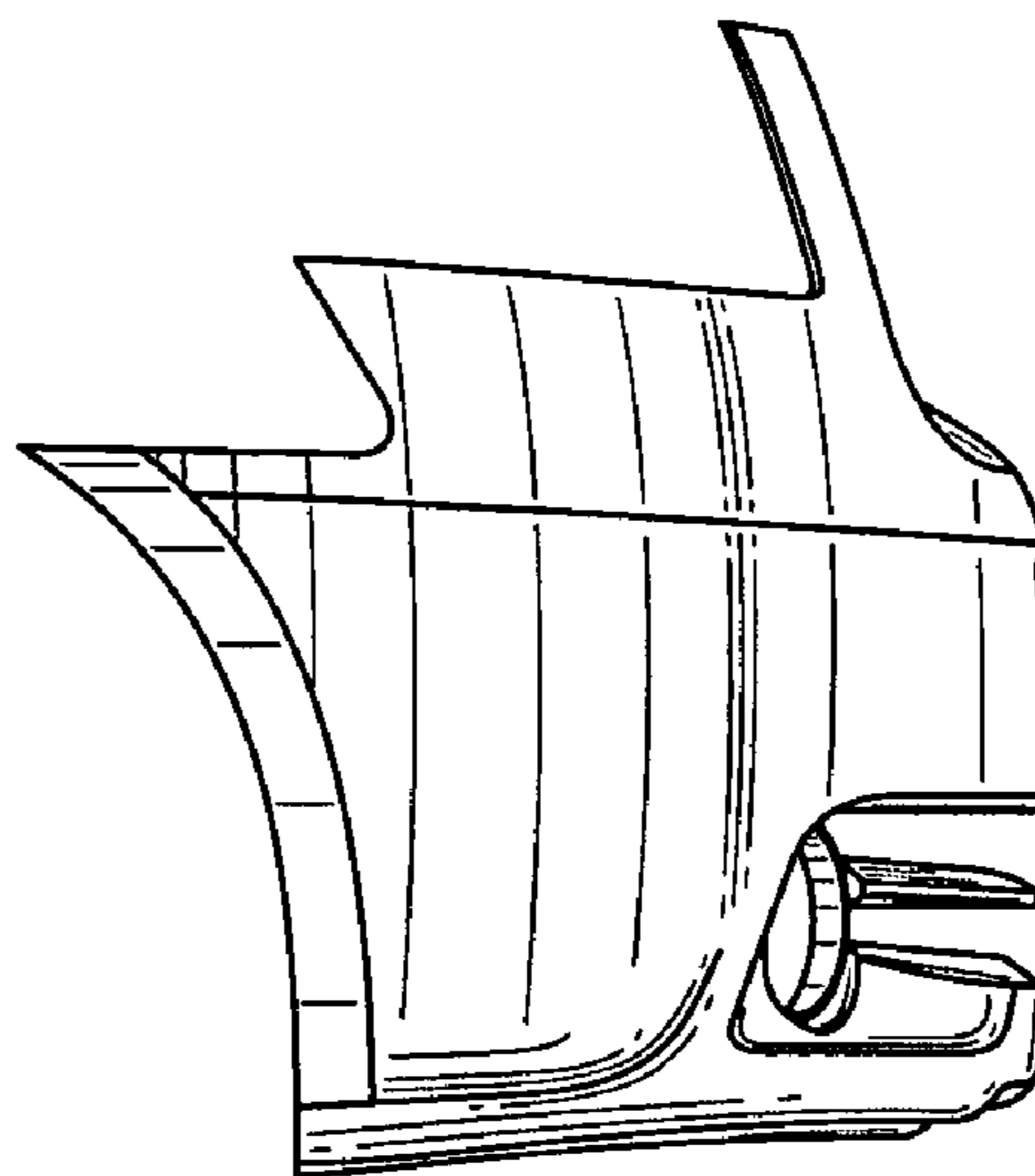


FIG. 6