

US00D565479S

(12) **United States Design Patent**
Iida et al.

(10) **Patent No.:** **US D565,479 S**
(45) **Date of Patent:** **** Apr. 1, 2008**

(54) **RADIATOR GRILLE FOR VEHICLE**

(75) Inventors: **Tadayoshi Iida**, Atsugi (JP); **Tadashi Katou**, Zama (JP)

(73) Assignee: **Nissan Motor Co., Ltd.**, Yokohama-shi (JP)

(**) Term: **14 Years**

(21) Appl. No.: **29/274,736**

(22) Filed: **May 18, 2007**

(30) **Foreign Application Priority Data**

Nov. 21, 2006 (JP) D2006-031867

(51) **LOC (8) Cl.** **12-16**

(52) **U.S. Cl.** **D12/163**

(58) **Field of Classification Search** D12/163,
D12/171, 90-92, 216, 169, 196; 180/68.1,
180/68.6; 296/193.11; 293/102, 113, 115
See application file for complete search history.

(56) **References Cited**

U.S. PATENT DOCUMENTS

D519,890 S * 5/2006 Sakae D12/163

D525,570 S * 7/2006 Sugiura et al. D12/163
D533,815 S * 12/2006 Matei D12/163
D535,224 S * 1/2007 Kubota et al. D12/163
D539,195 S * 3/2007 Shimoguchi et al. D12/163
D541,707 S * 5/2007 Komuro D12/163
D557,184 S 12/2007 Janik

* cited by examiner

Primary Examiner—Melody N. Brown

(74) *Attorney, Agent, or Firm*—Foley & Lardner LLP

(57) **CLAIM**

The ornamental design for a radiator grille for vehicle, as shown and described.

DESCRIPTION

FIG. 1 is a perspective view of a radiator grille for vehicle;
FIG. 2 is a front view thereof;
FIG. 3 is a rear view thereof;
FIG. 4 is a top plan view thereof;
FIG. 5 is a bottom plan view thereof;
FIG. 6 is a right side view thereof; and,
FIG. 7 is a left side view thereof.

1 Claim, 3 Drawing Sheets

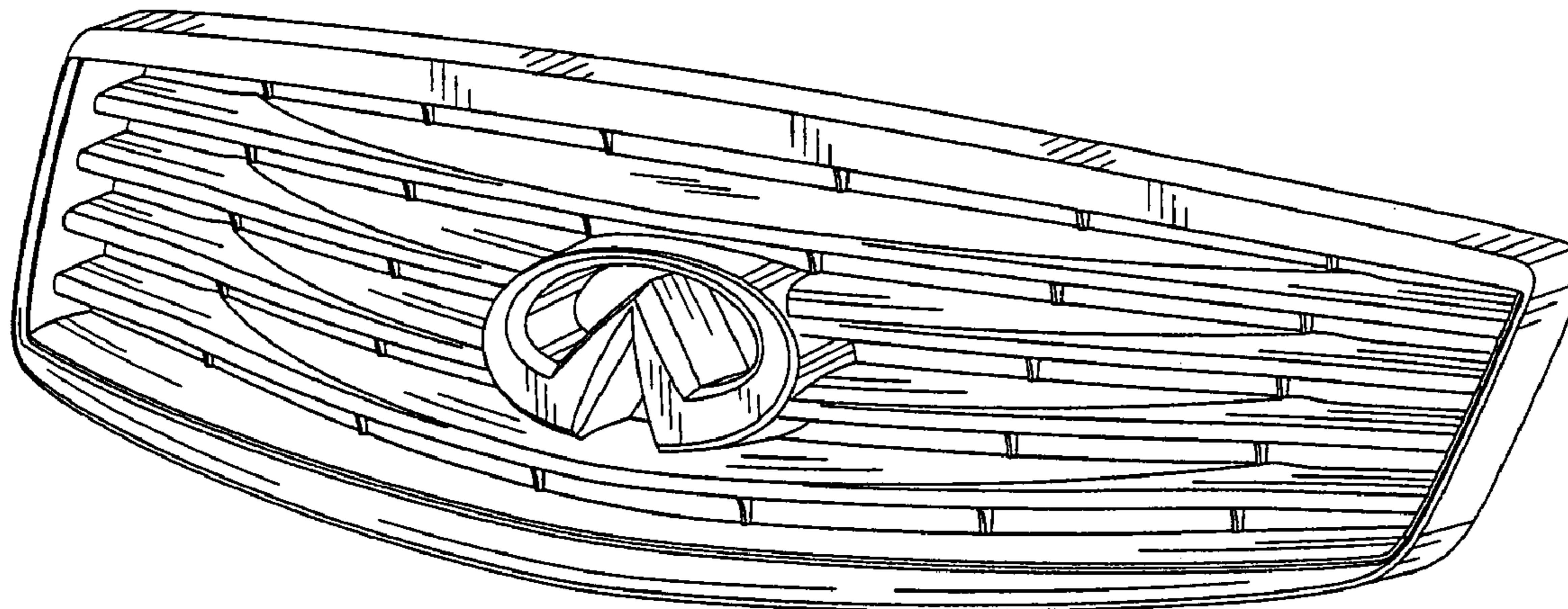


Fig.1

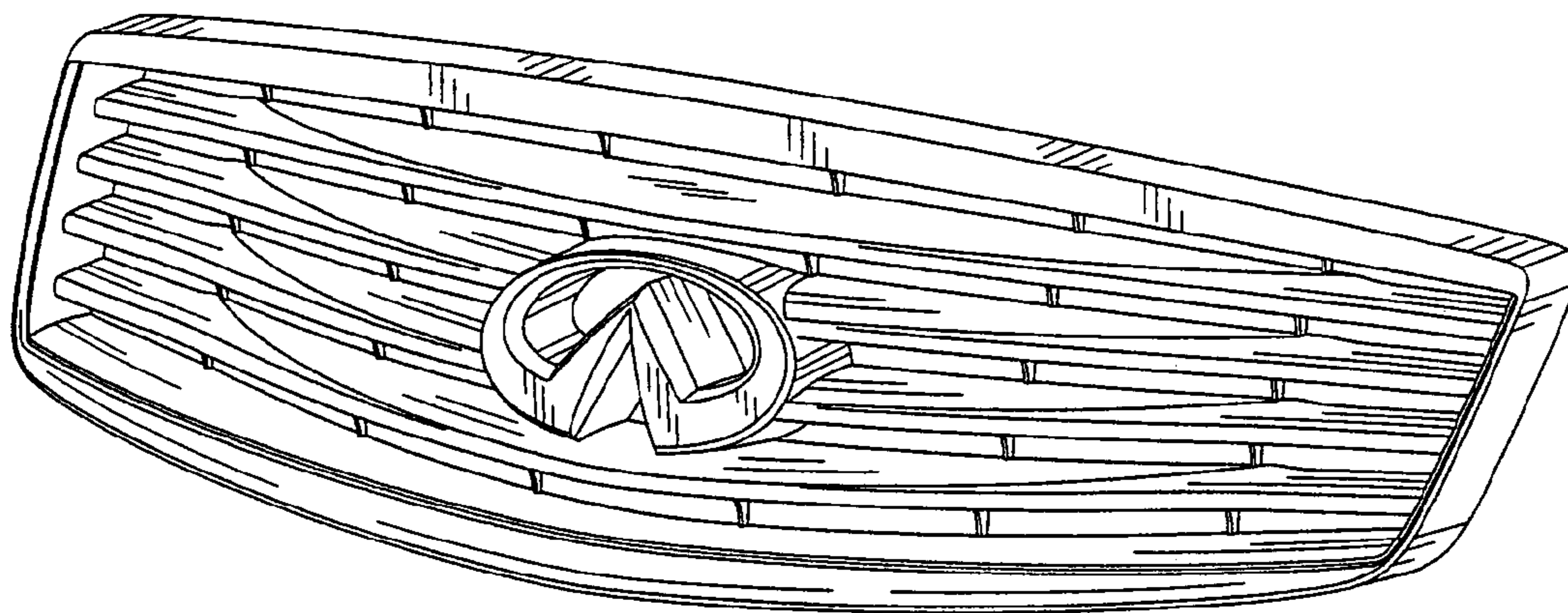


Fig.2

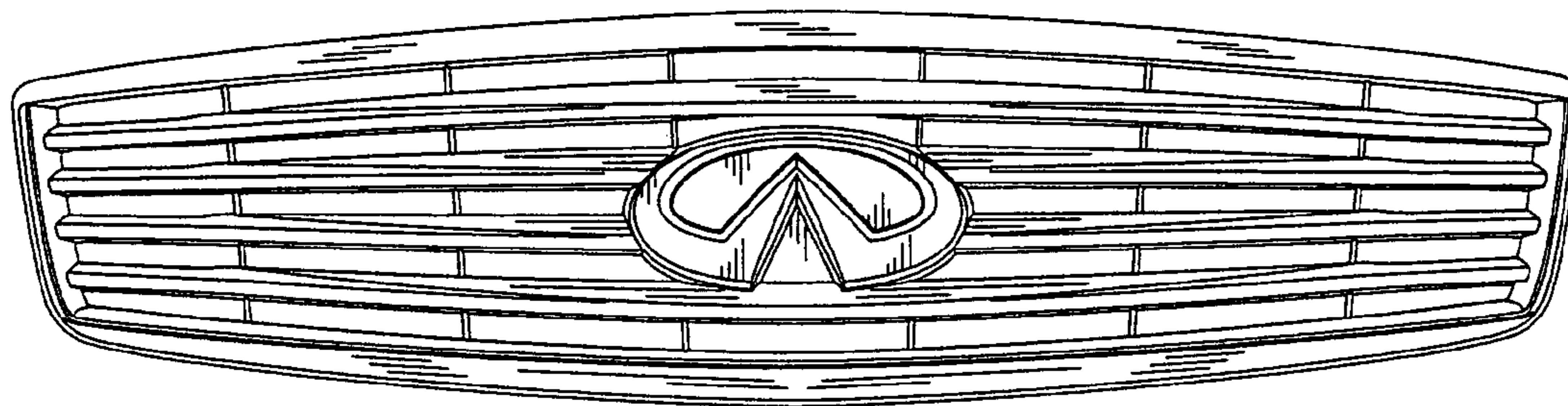


Fig.3

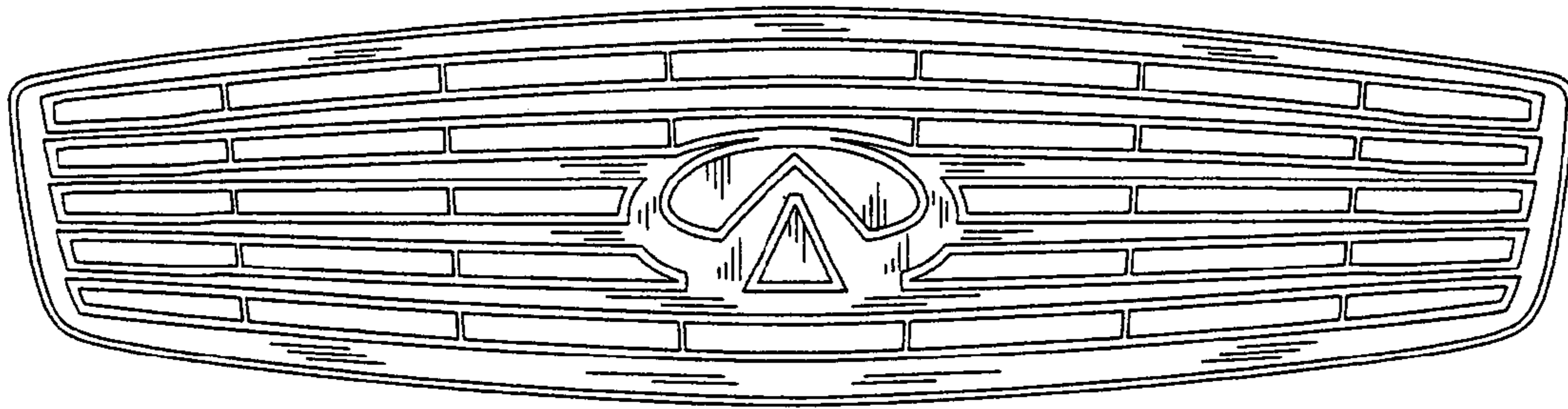


Fig.4

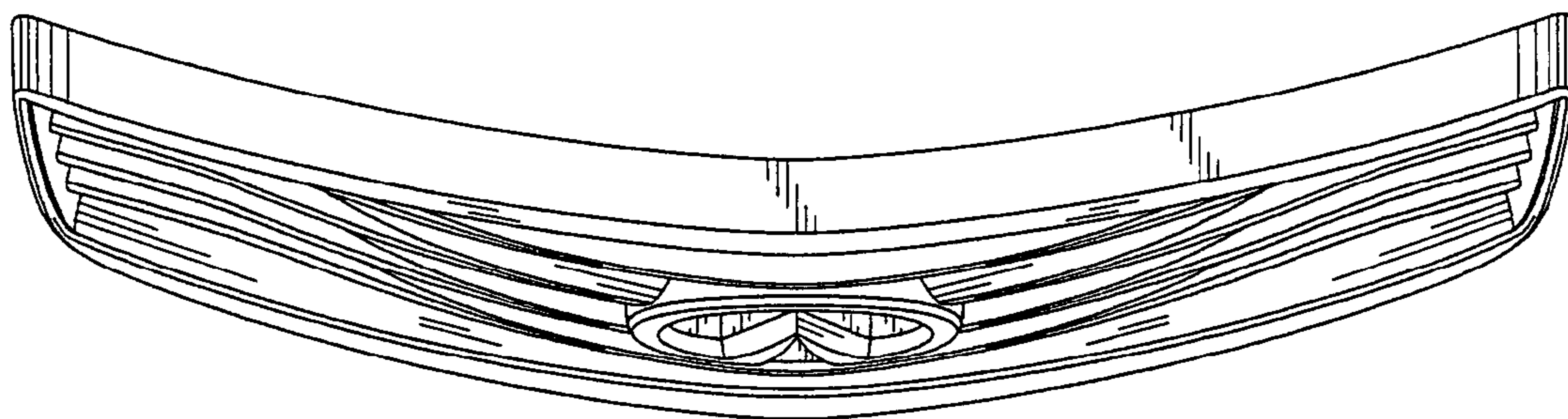


Fig.5

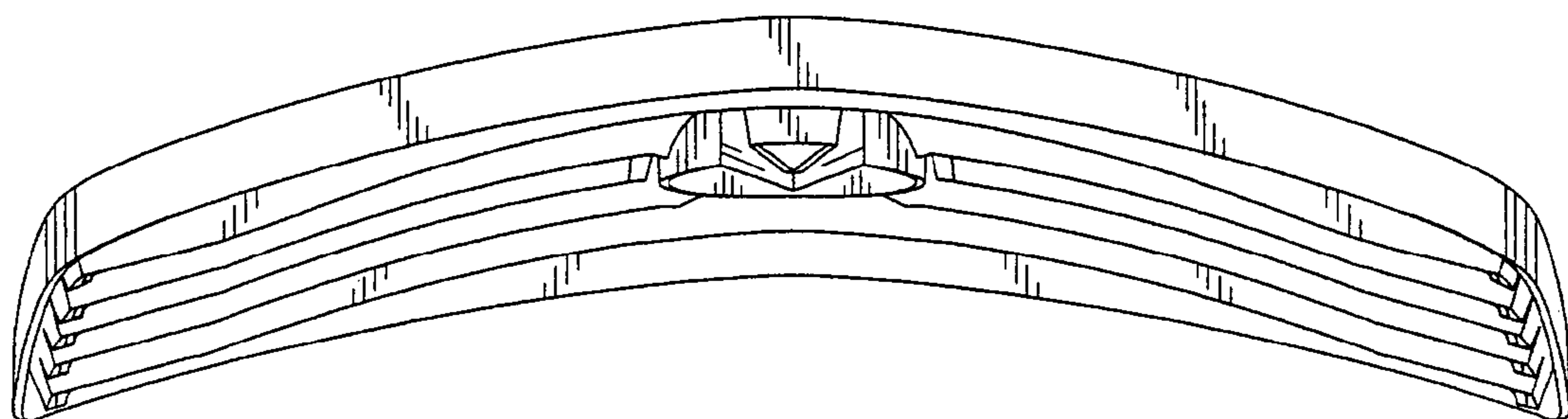


Fig.6

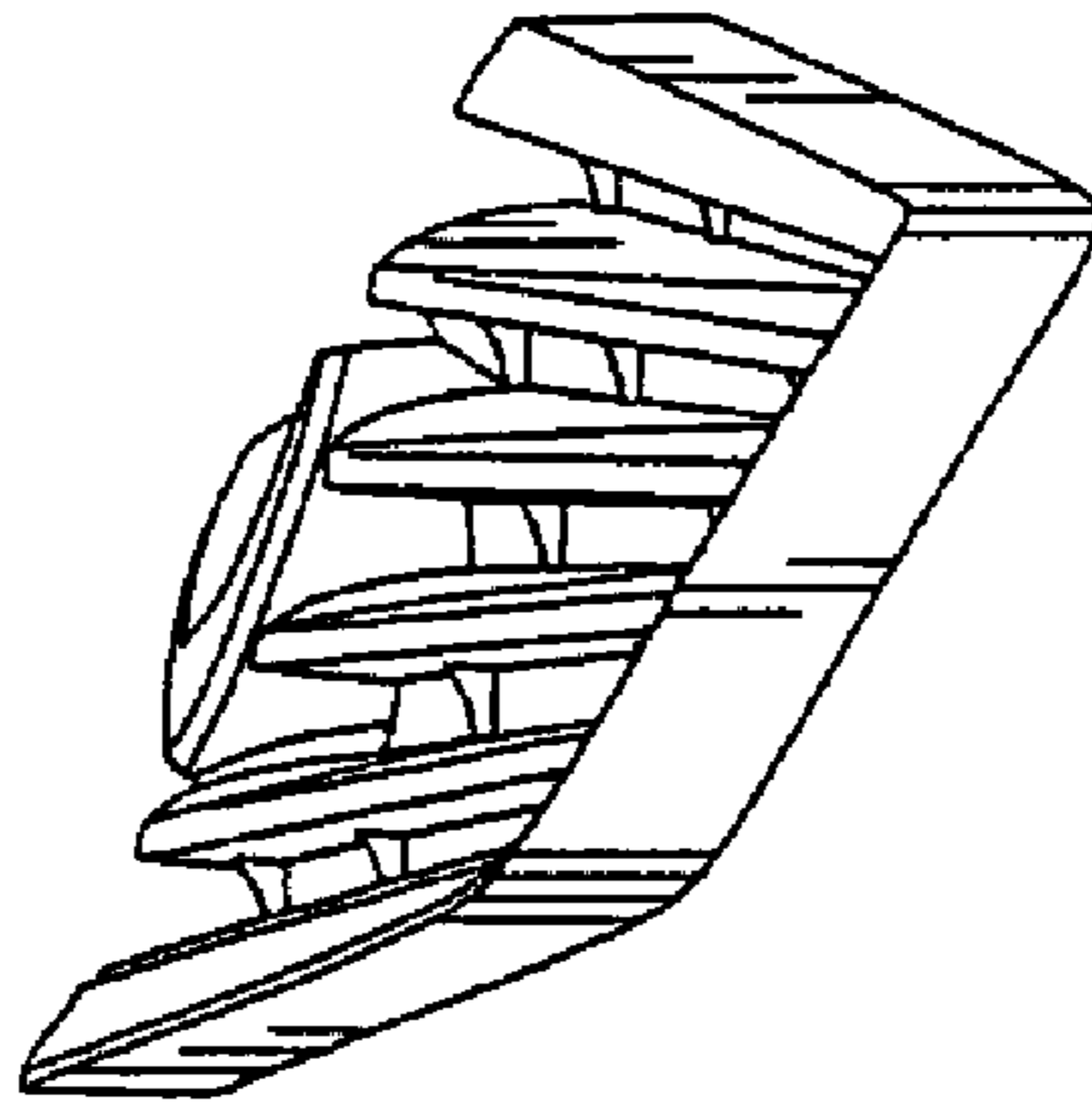


Fig.7

