



US00D565478S

(12) **United States Design Patent**
Abe

(10) **Patent No.:** **US D565,478 S**

(45) **Date of Patent:** **** Apr. 1, 2008**

(54) **RADIATOR GRILLE FOR VEHICLE**

D535,221 S * 1/2007 Lau et al. D12/163
D540,721 S * 4/2007 Wagner et al. D12/163

(75) Inventor: **Toshiyuki Abe**, Fujisawa (JP)

* cited by examiner

(73) Assignee: **Nissan Motor Co., Ltd.**, Yokohama-shi (JP)

Primary Examiner—Melody N. Brown
(74) *Attorney, Agent, or Firm*—Foley & Lardner LLP

(**) Term: **14 Years**

(57) **CLAIM**

(21) Appl. No.: **29/274,734**

The ornamental design for a radiator grille for vehicle, as shown and described.

(22) Filed: **May 18, 2007**

(30) **Foreign Application Priority Data**

Nov. 24, 2006 (JP) D2006-032145

DESCRIPTION

(51) **LOC (8) Cl.** **12-16**

FIG. 1 is a perspective view of a radiator grille for vehicle;

(52) **U.S. Cl.** **D12/163**

FIG. 2 is a front view thereof;

(58) **Field of Classification Search** D12/163,
D12/171, 90-92, 216, 169, 196; 180/68.1,
180/68.6; 296/193.11; 293/102, 113, 115
See application file for complete search history.

FIG. 3 is a rear view thereof;

FIG. 4 is a top plan view thereof;

FIG. 5 is a bottom plan view thereof;

FIG. 6 is a left side view thereof;

FIG. 7 is a right side view thereof;

FIG. 8 is an enlarged sectional view thereof taken along line 8-8; and,

FIG. 9 is an enlarged sectional view thereof taken along line 9-9.

(56) **References Cited**

U.S. PATENT DOCUMENTS

D506,167 S * 6/2005 Wu D12/163
D514,480 S * 2/2006 Yamaji et al. D12/163
D525,571 S * 7/2006 Kouzai D12/163

1 Claim, 3 Drawing Sheets

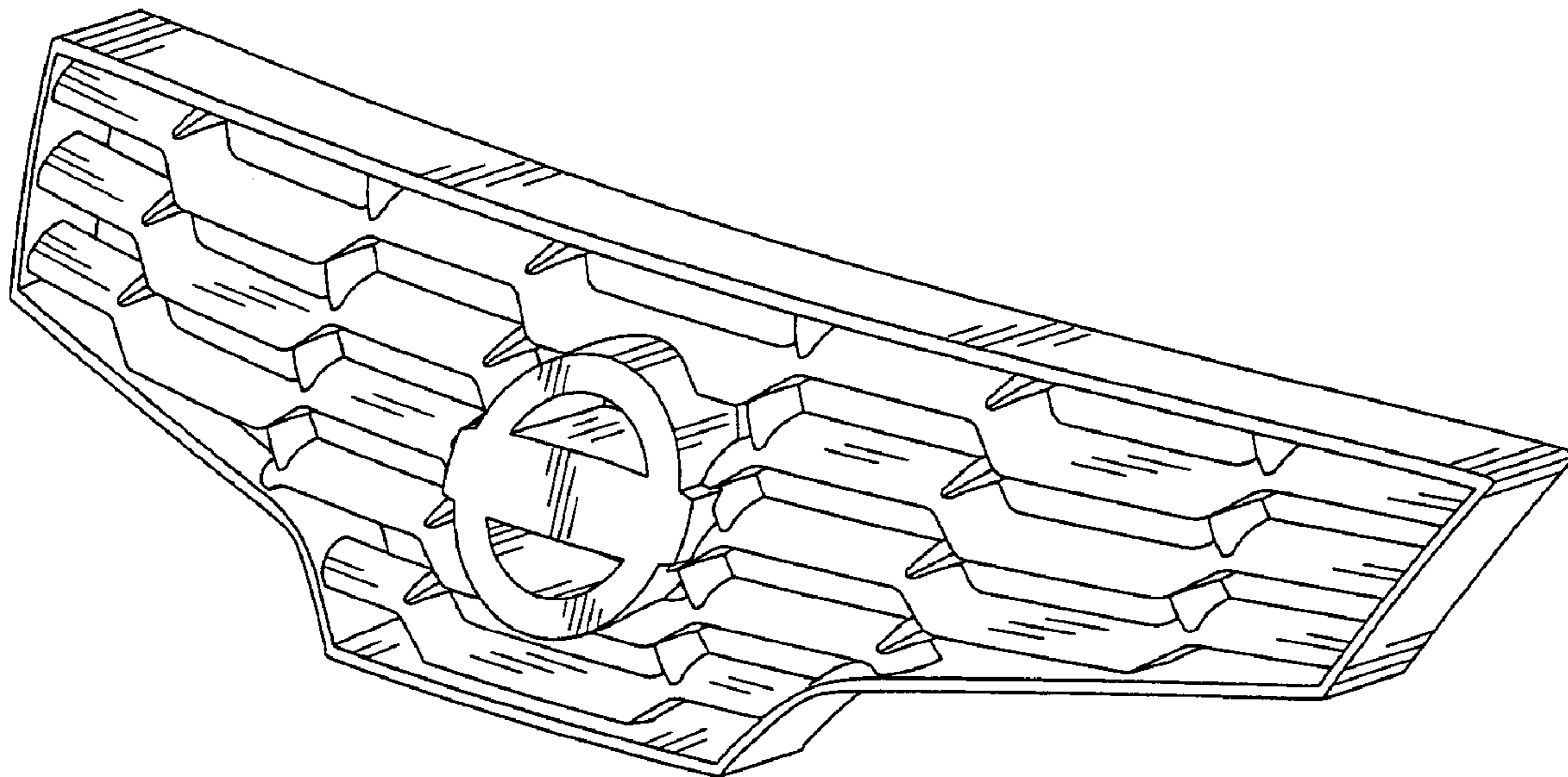


Fig.1

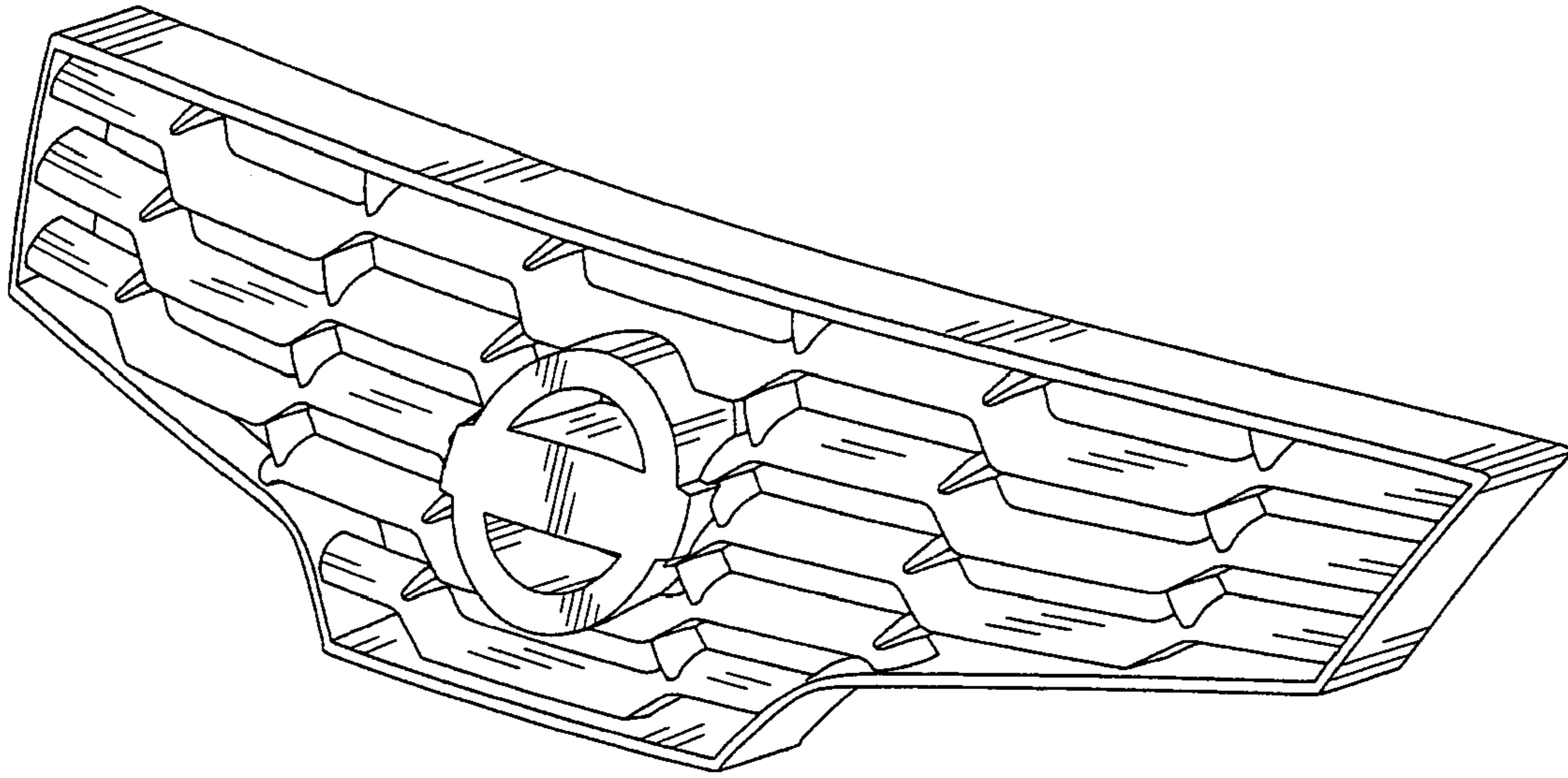


Fig.2

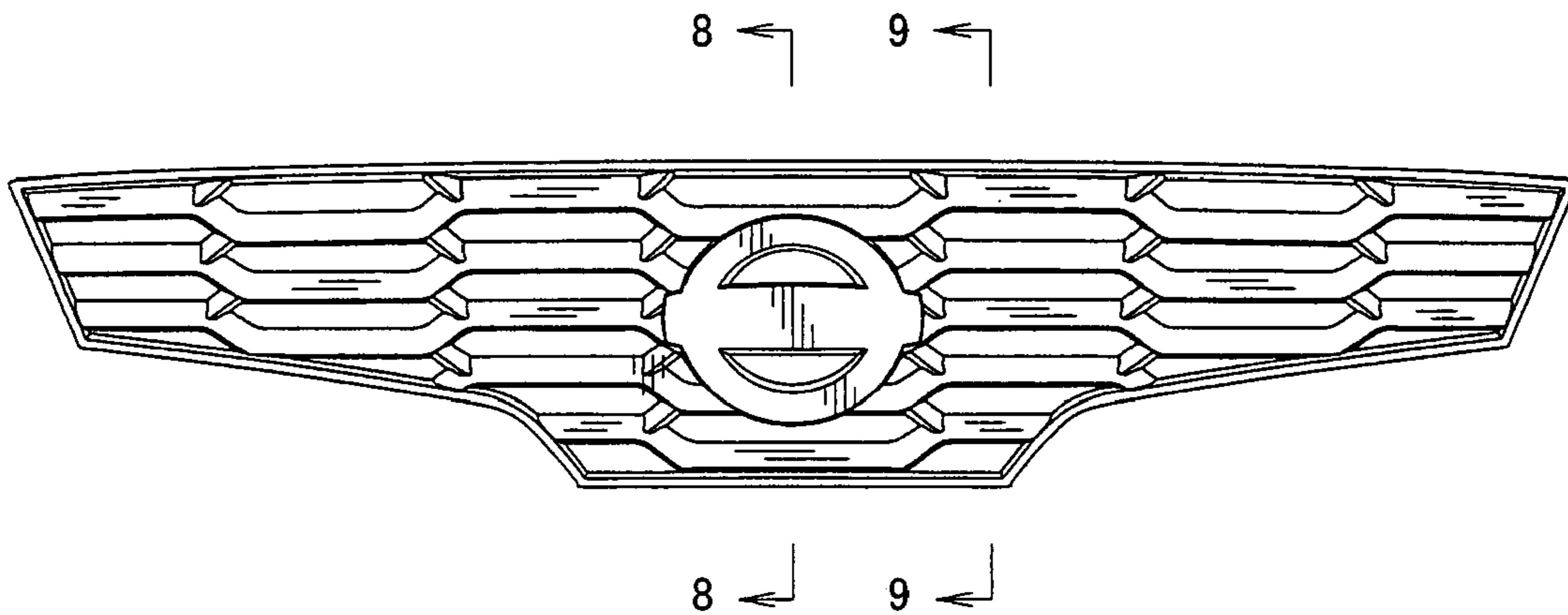


Fig.3

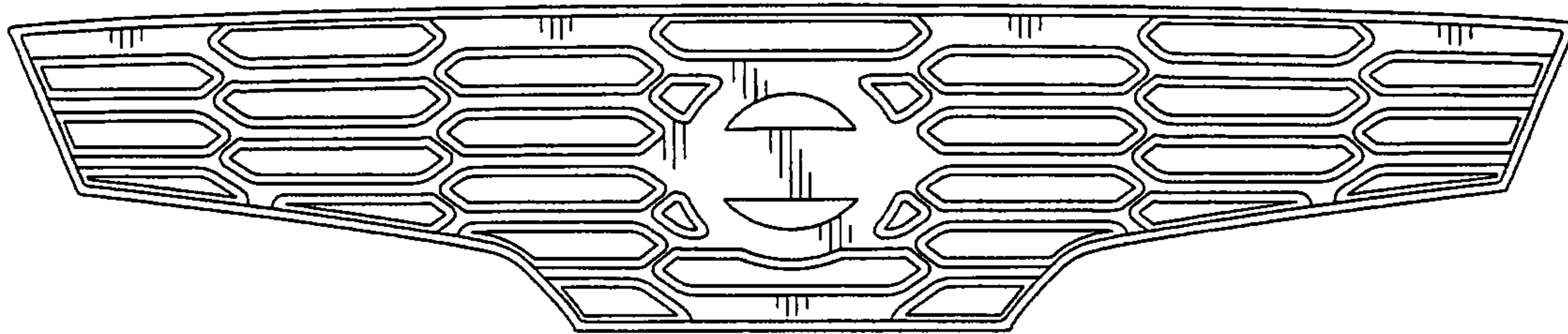


Fig.4

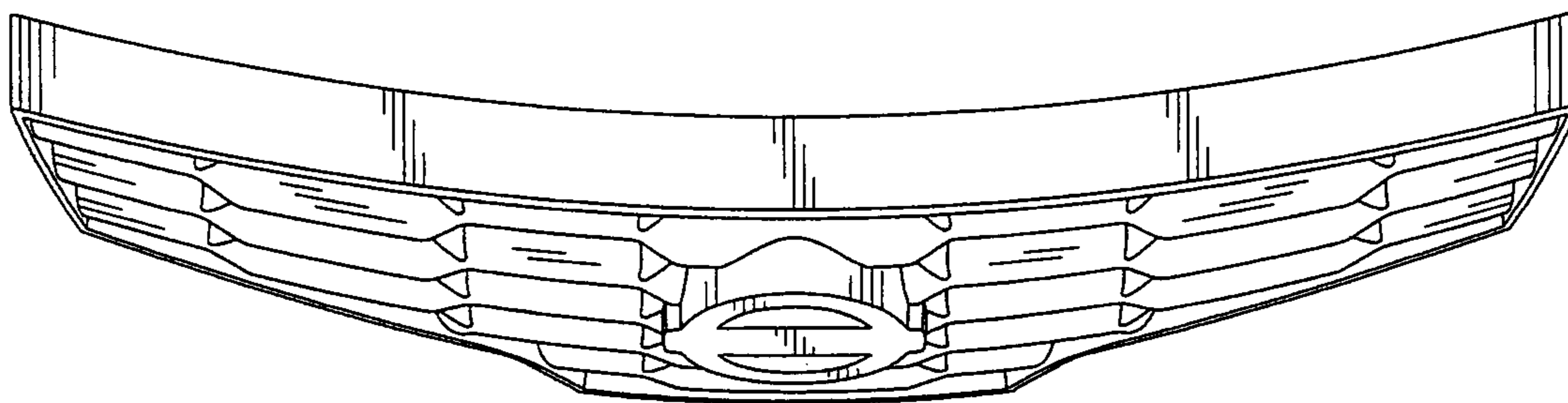


Fig.5

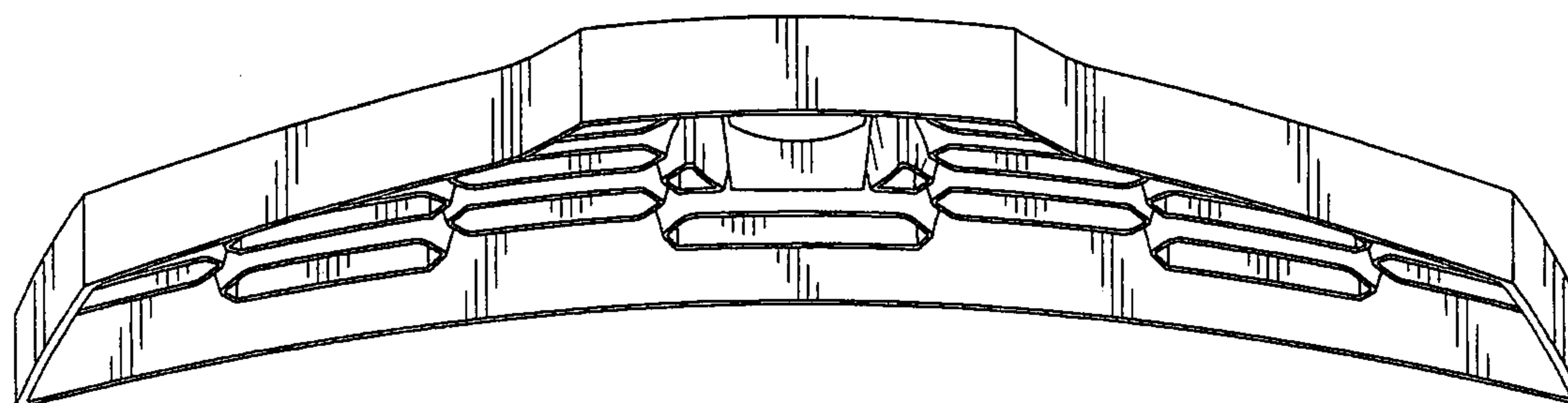


Fig.6

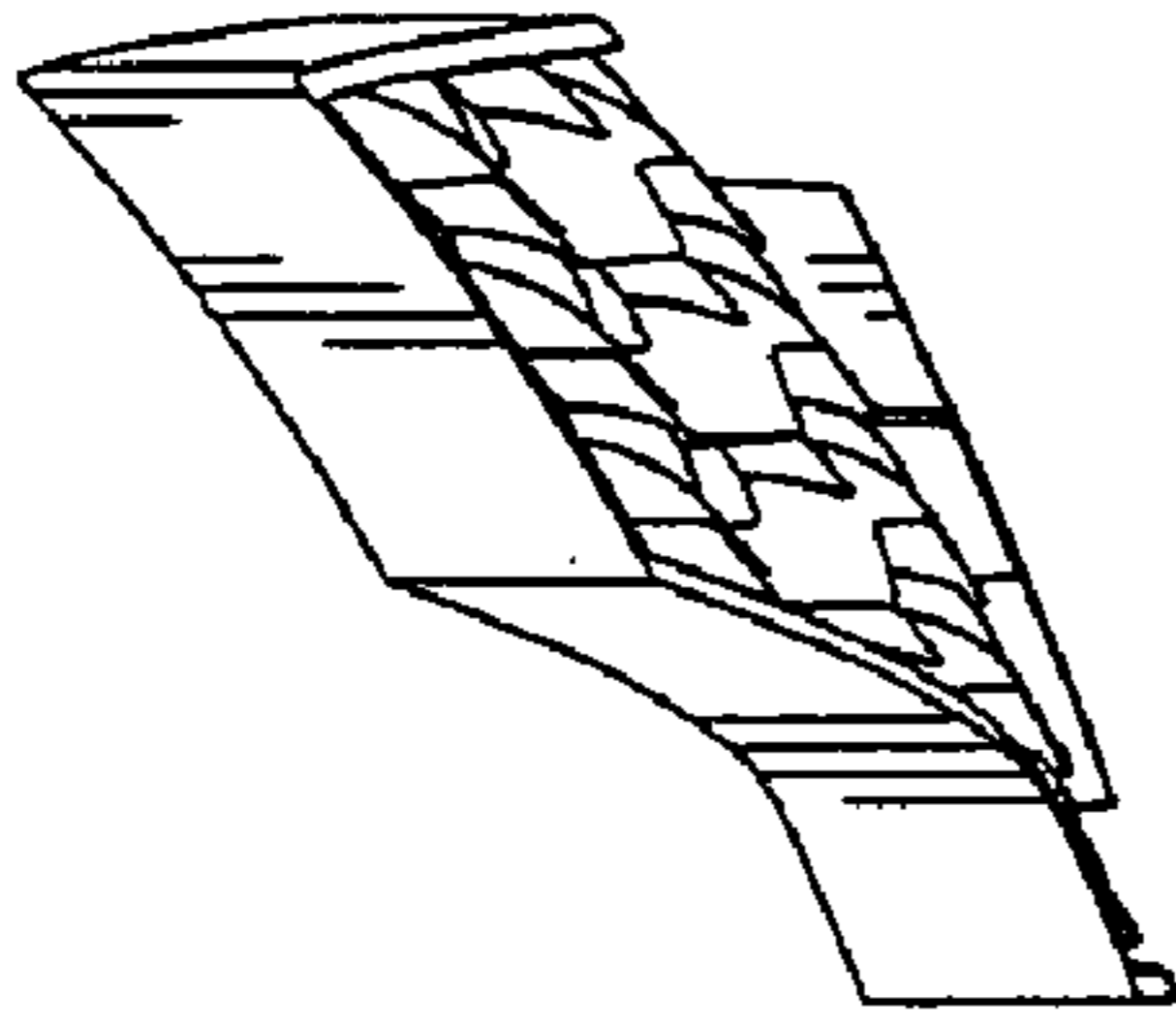


Fig.7

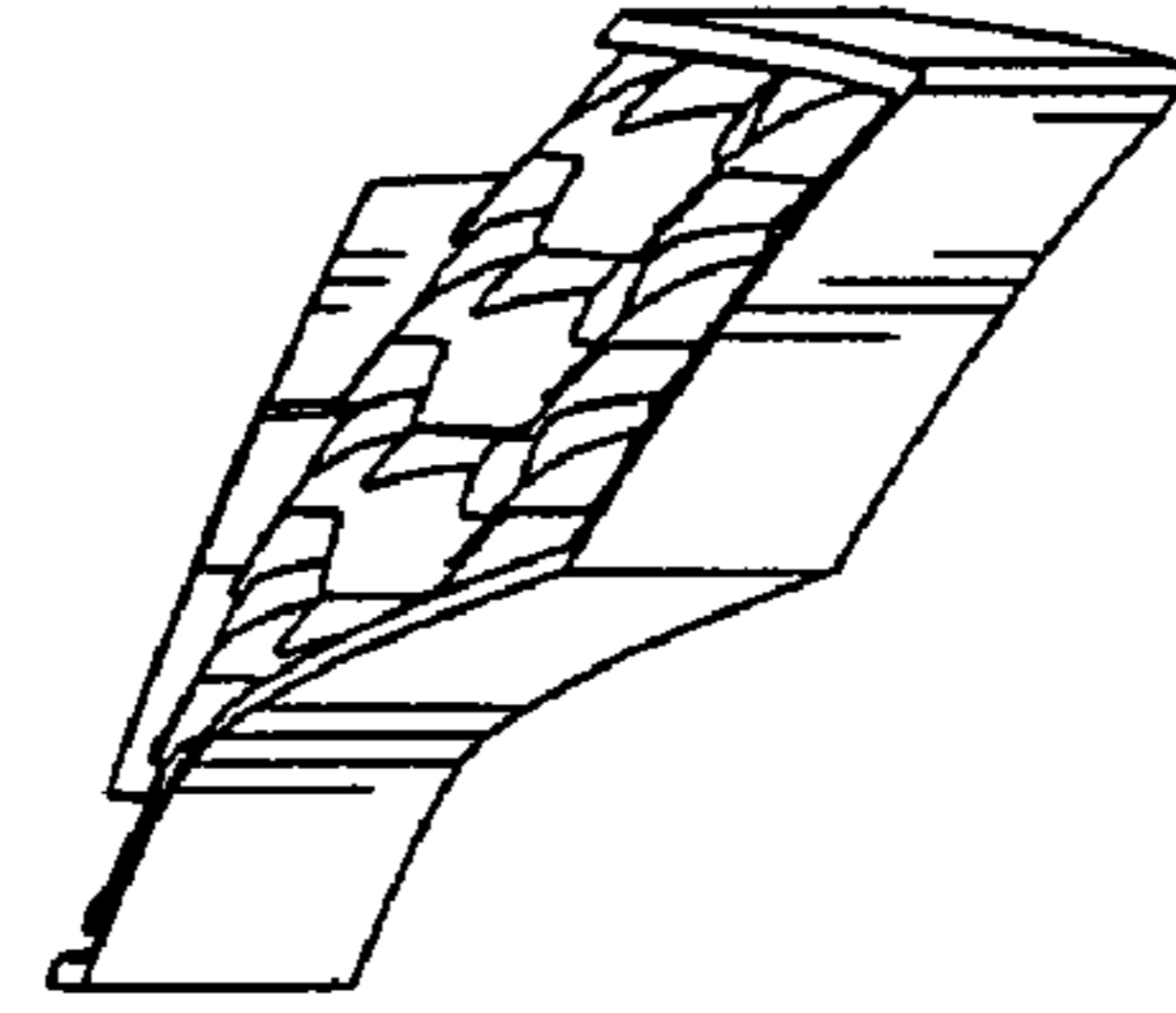


Fig.8

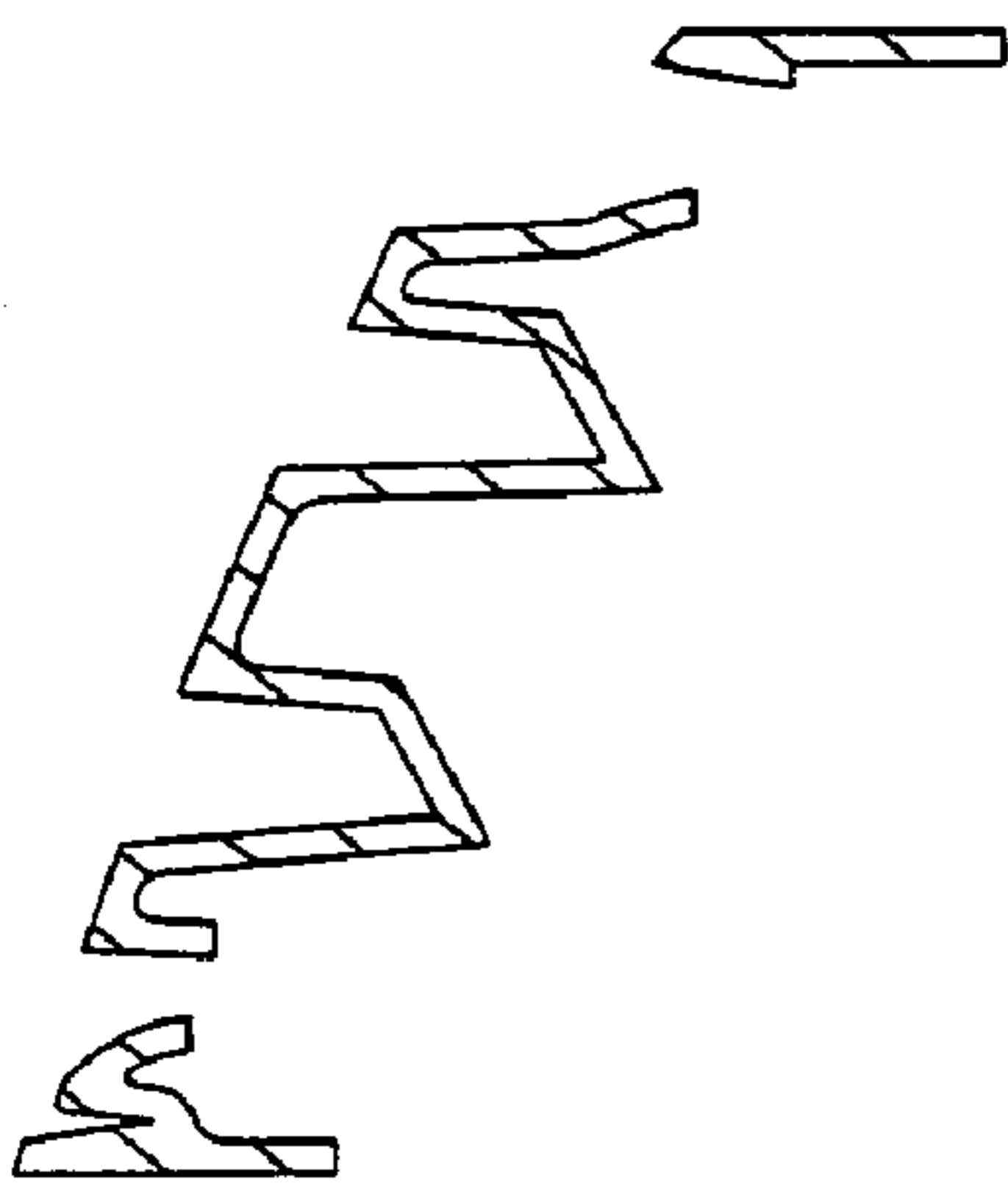


Fig.9

