



US00D565476S

(12) **United States Design Patent**
Frazier

(10) **Patent No.:** **US D565,476 S**

(45) **Date of Patent:** **** Apr. 1, 2008**

(54) **VEHICLE HITCH ORNAMENT**

(76) Inventor: **John R. Frazier**, 420 Holly Oak Trace,
Canton, GA (US) 30114

(**) Term: **14 Years**

(21) Appl. No.: **29/285,815**

(22) Filed: **Apr. 11, 2007**

(51) **LOC (8) Cl.** **12-16**

(52) **U.S. Cl.** **D12/162**

(58) **Field of Classification Search** D12/106,
D12/115, 116, 161, 162, 199; 280/402, 403,
280/404, 405.1, 405.2, 407, 407.1, 416.2,
280/455.1, 491.5, 186, 433, 434, 438 R;
102/368; D29/128

See application file for complete search history.

(56) **References Cited**

U.S. PATENT DOCUMENTS

- D506,711 S * 6/2005 Ruiz et al. D12/162
- D513,211 S * 12/2005 Murguia D12/162
- D517,961 S * 3/2006 Murguia D12/162
- D529,418 S * 10/2006 Muhl nickel D12/162
- D531,095 S * 10/2006 Murguia D12/162

* cited by examiner

Primary Examiner—Cathron Brooks

Assistant Examiner—Michael A. Pratt

(74) *Attorney, Agent, or Firm*—Myers & Kaplan LLC;
Mathew L. Grell; Joel D. Myers

(57) **CLAIM**

The ornamental design for a vehicle hitch ornament, as shown and described.

DESCRIPTION

FIG. 1 is a perspective view of a vehicle hitch ornament according to a preferred embodiment of the present invention;

FIG. 2 is a top view of the vehicle hitch ornament of FIG. 1;

FIG. 3 is a first side view of the vehicle hitch ornament of FIG. 1;

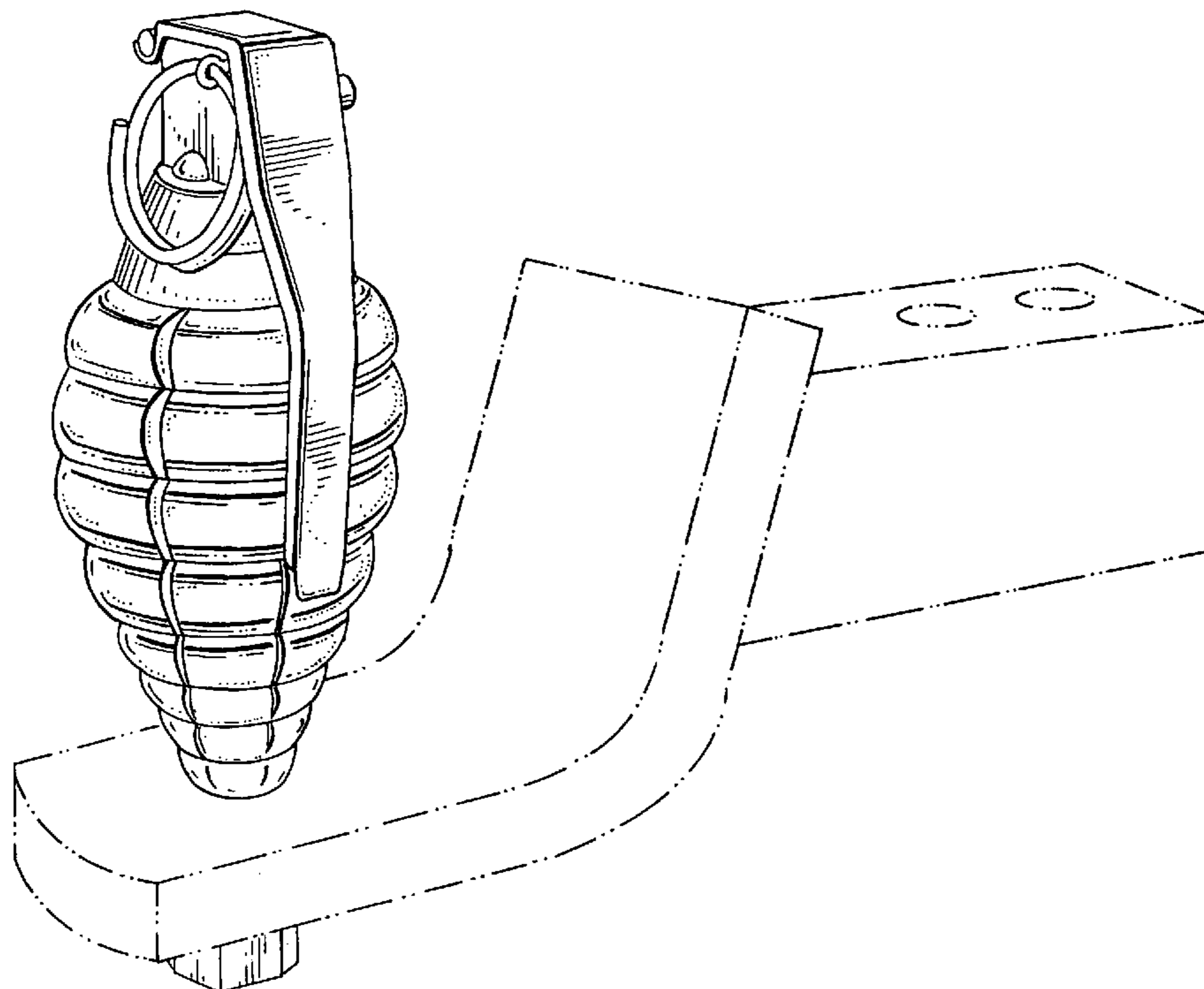
FIG. 4 is a front view of the vehicle hitch ornament of FIG. 1;

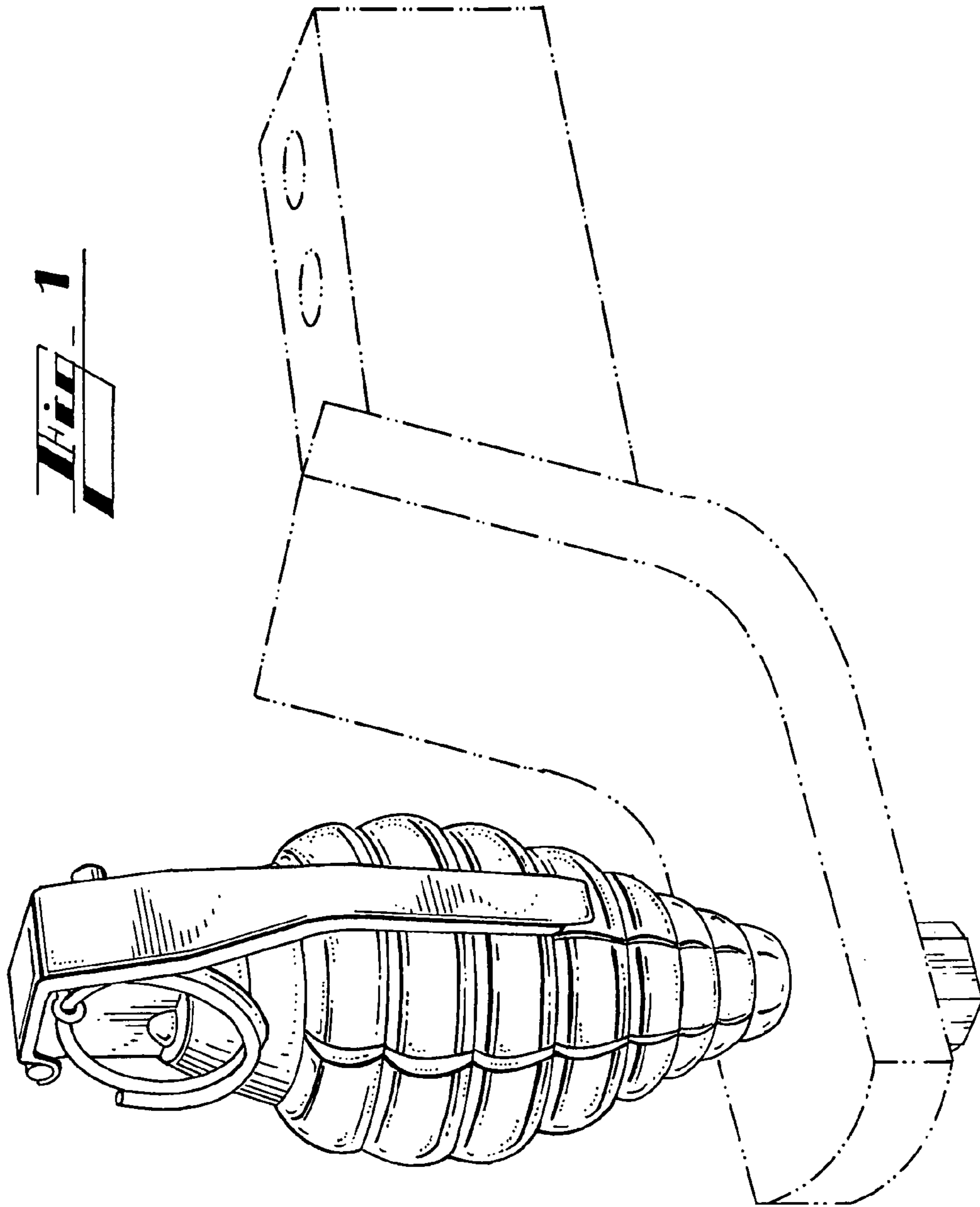
FIG. 5 is a second side view of the vehicle hitch ornament of FIG. 1;

FIG. 6 is a rear view of a vehicle hitch ornament of FIG. 1; and,

FIG. 7 is a bottom view of the vehicle hitch ornament of FIG. 1.

1 Claim, 3 Drawing Sheets





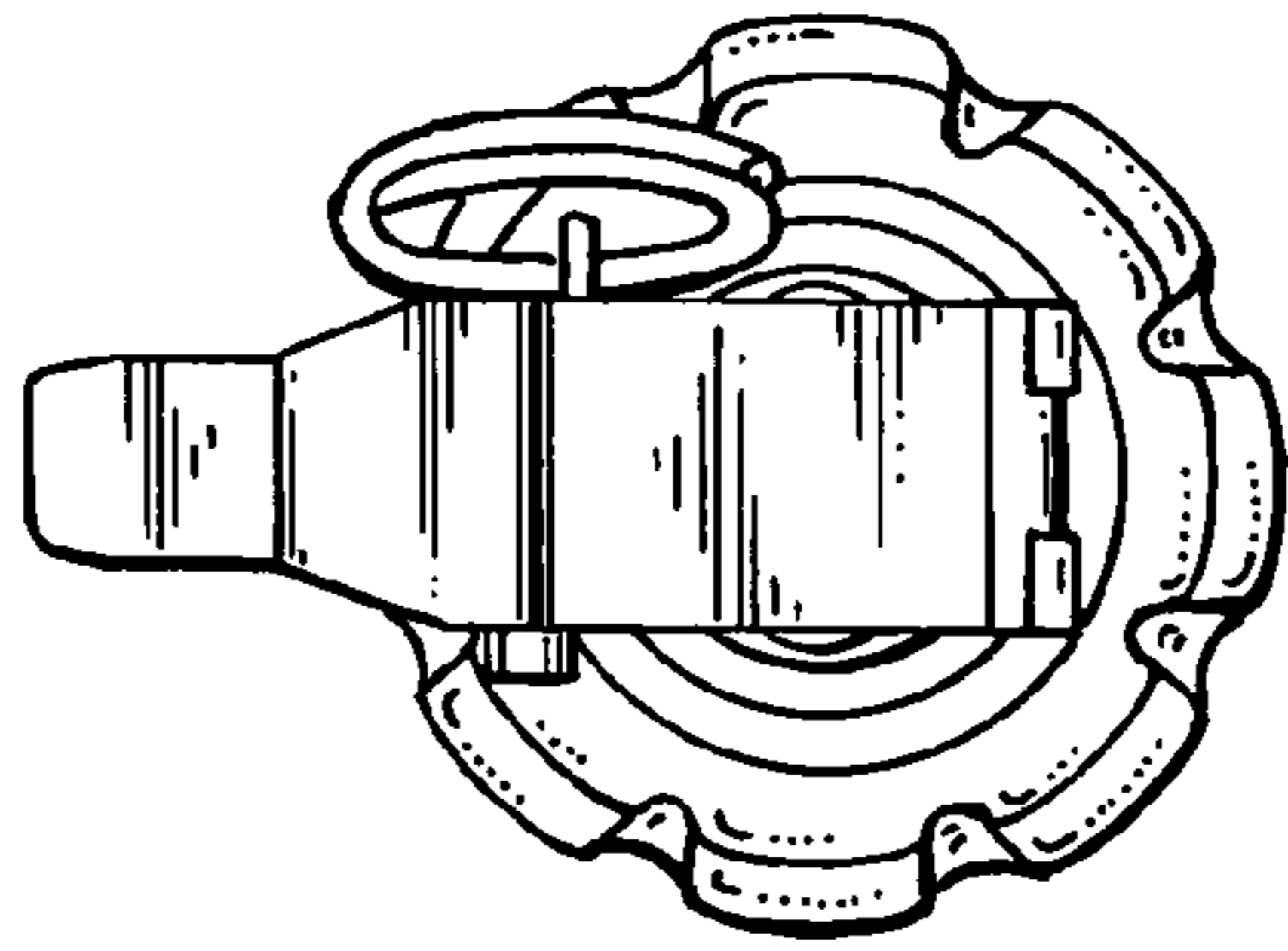


Fig. 2

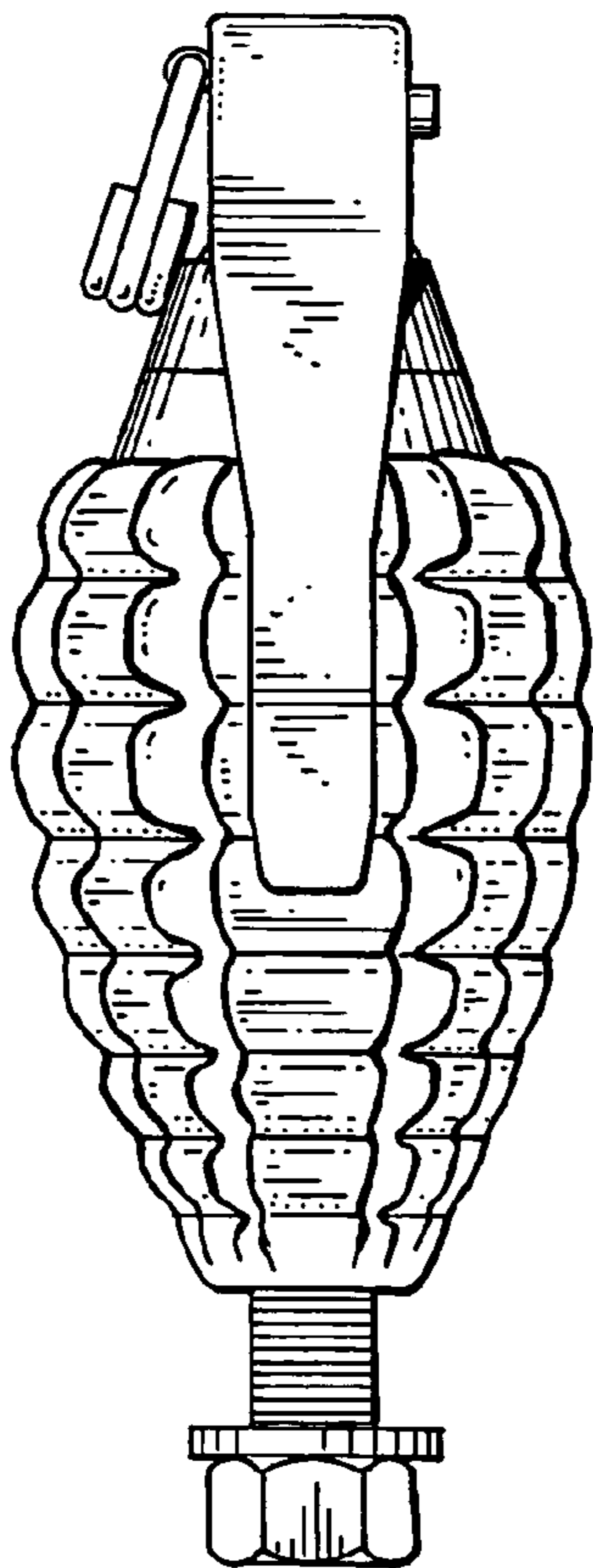


Fig. 3

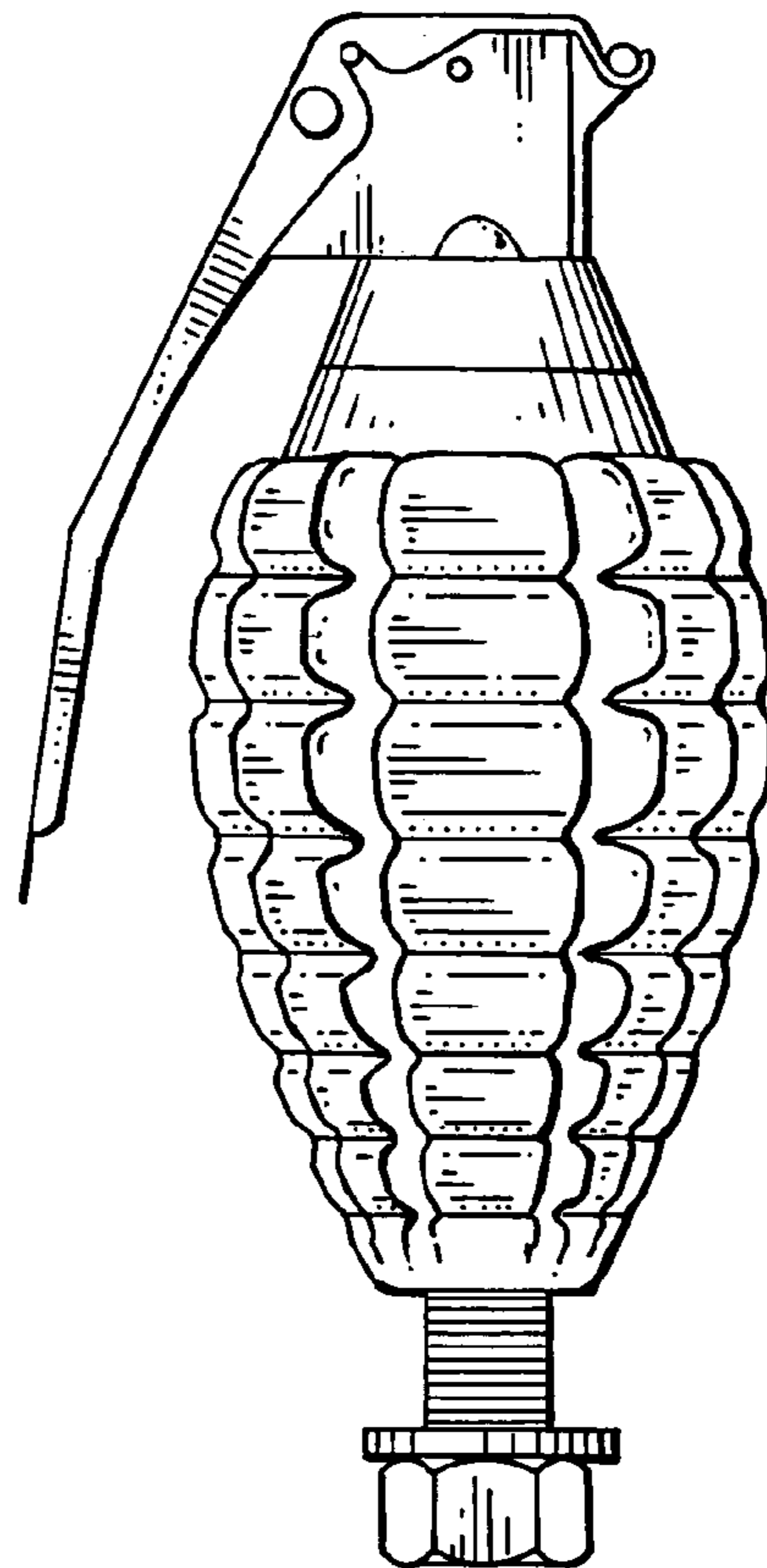


Fig. 4

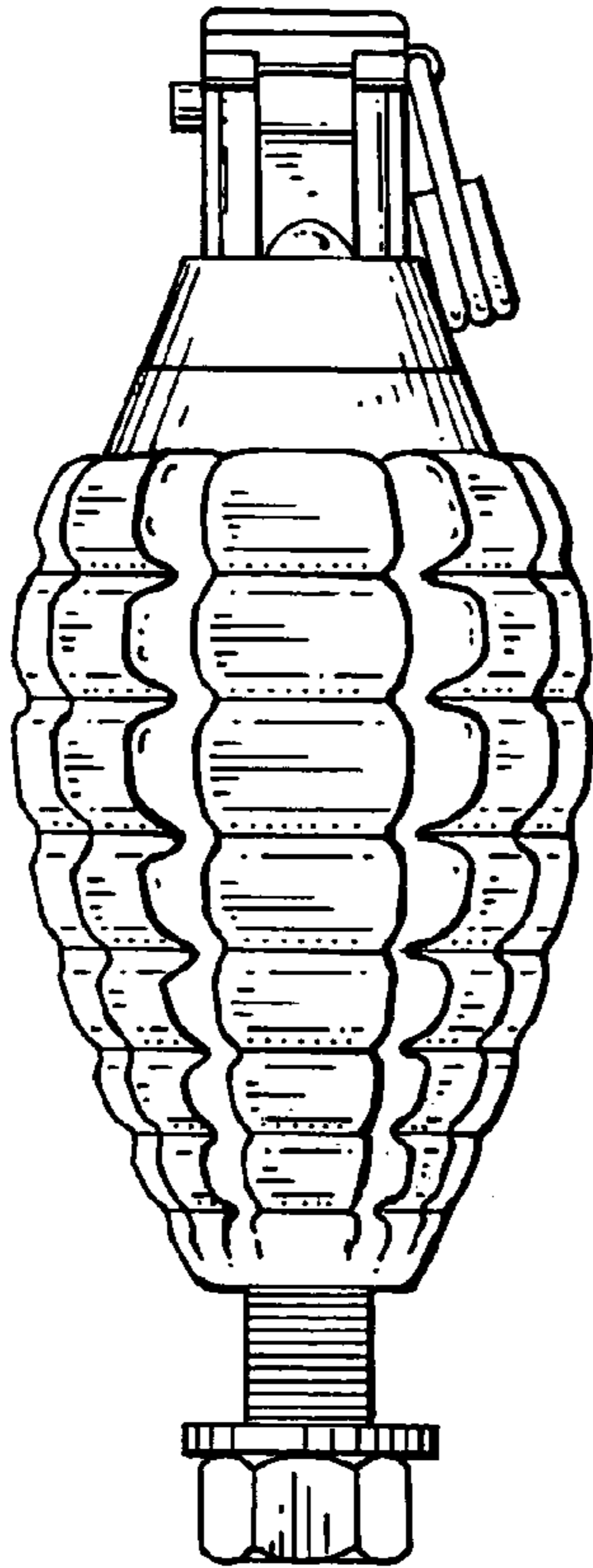


Fig. 5

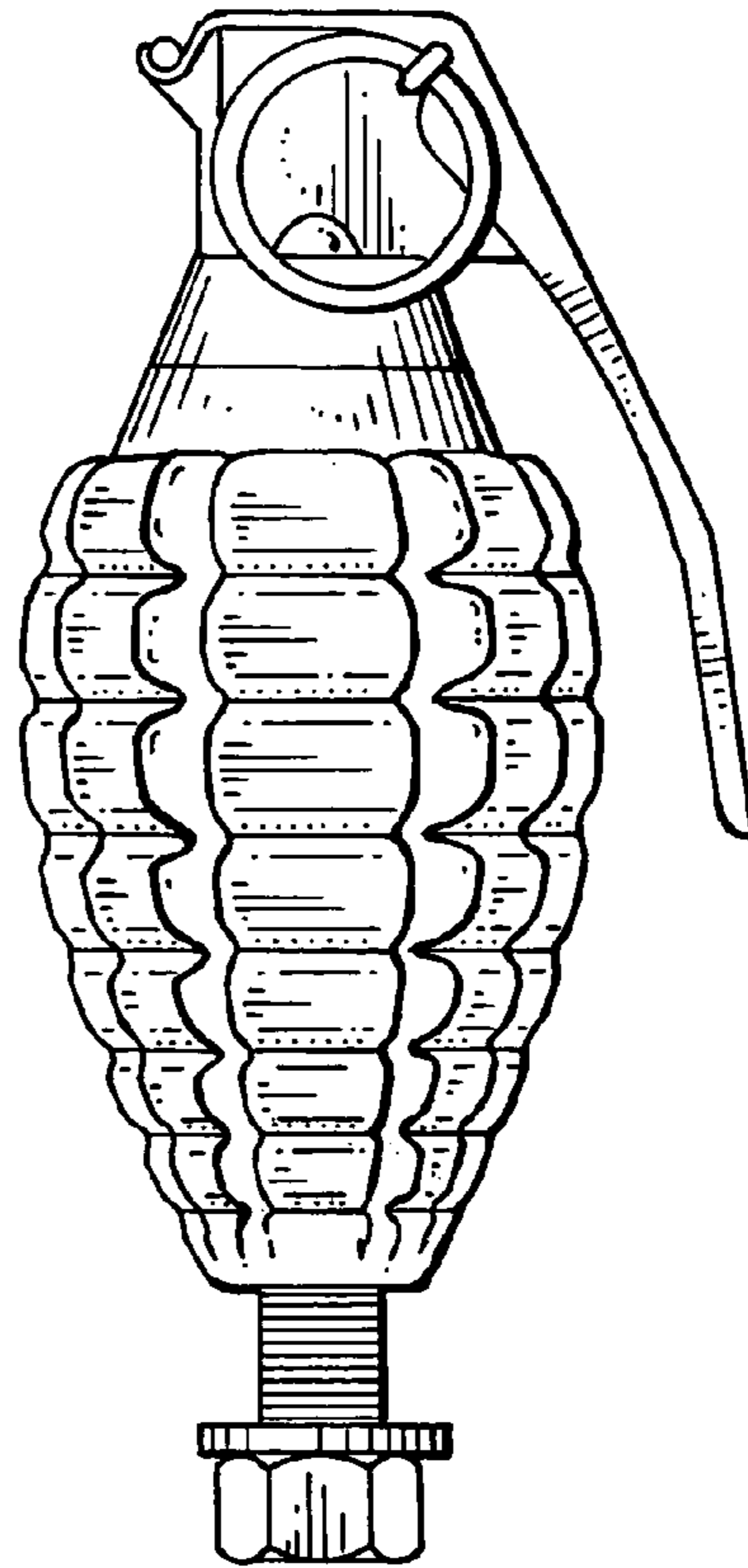


Fig. 6

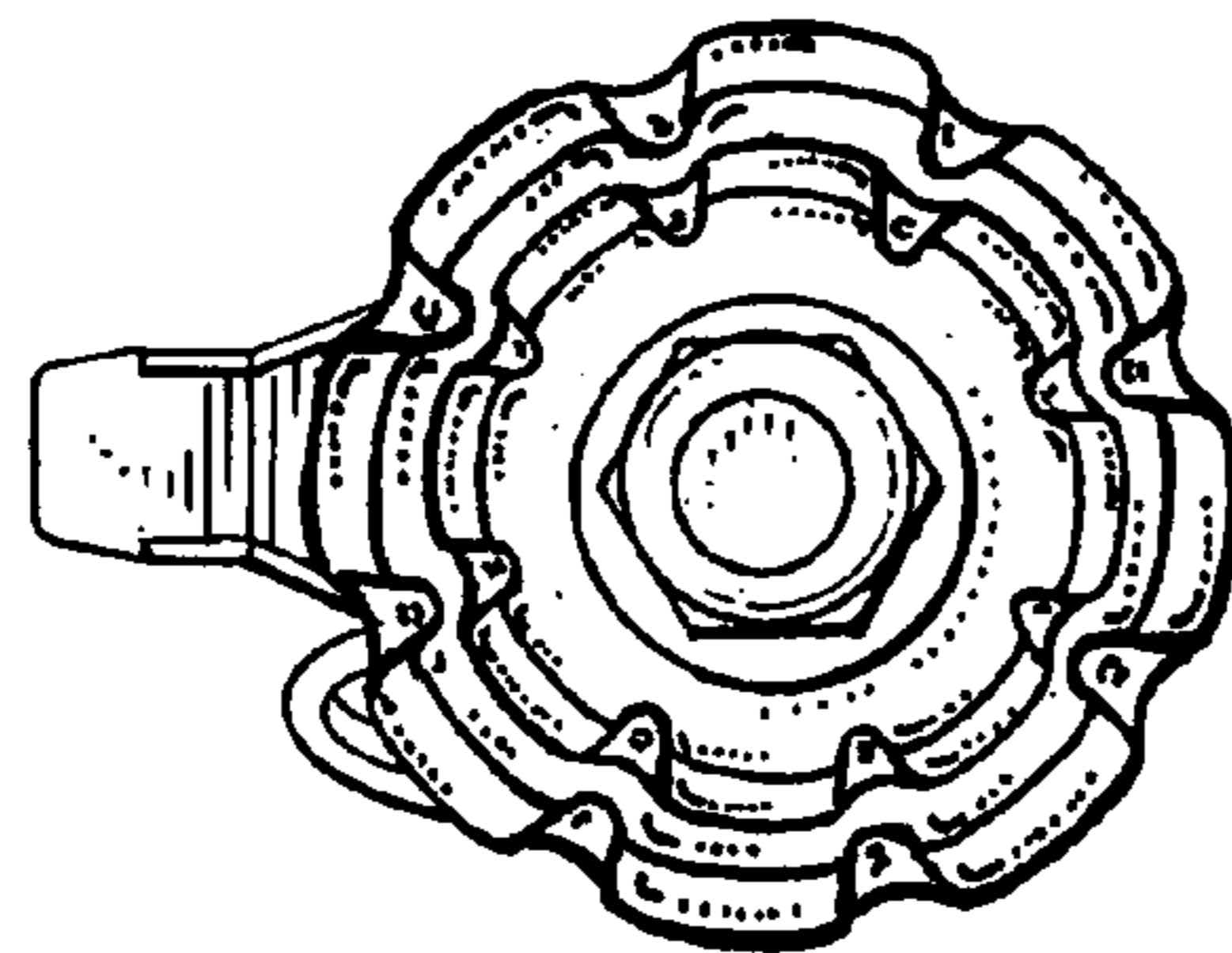


Fig. 7