

US00D565474S

(12) **United States Design Patent**
Webster et al.

(10) **Patent No.:** **US D565,474 S**

(45) **Date of Patent:** **** Apr. 1, 2008**

(54) **CHAIR FOR STAIRLIFTS**

(75) Inventors: **Michael Webster**, London (GB); **Anna Henry**, East Sussex (GB); **Paul Backett**, London (GB); **James Barr**, Surrey (GB); **Richard Seymour**, London (GB); **Adrian Caroen**, East Sussex (GB); **Jeremy White**, London (GB); **Herve Bertrand**, London (GB)

(73) Assignee: **Stannah Stairlifts Limited**, Andover, Hampshire (GB)

(**) Term: **14 Years**

(21) Appl. No.: **29/251,849**

(22) Filed: **Jan. 13, 2006**

(30) **Foreign Application Priority Data**

Jul. 13, 2005 (EM) 000373196

(51) **LOC (8) Cl.** **12-12**

(52) **U.S. Cl.** **D12/128**

(58) **Field of Classification Search** D12/128-133,
D12/85, 52; 267/5; 135/65-67, 74, 912;
280/62, 647-650, 29, 200, 47.38, 250.1,
280/259, 642, 658; 297/DIG. 4; 296/65.03,
296/65.04; 224/409; D6/364, 356, 366;
187/200-202

See application file for complete search history.

(56) **References Cited**

U.S. PATENT DOCUMENTS

2,856,027 A * 10/1958 Schryver 187/201

D233,711 S * 11/1974 Fantoni D6/366
D276,385 S * 11/1984 Stephens D6/366
4,913,264 A * 4/1990 Voves et al. 187/201
D475,210 S * 6/2003 Tsai D6/366
6,712,192 B1 * 3/2004 Hester et al. 198/321
7,156,208 B2 * 1/2007 Rickaby 187/201

* cited by examiner

Primary Examiner—Charles A. Rademaker

Assistant Examiner—Charles D Hanson

(74) *Attorney, Agent, or Firm*—Gray, Plant, Mooty, Mooty & Bennett, PA

(57) **CLAIM**

We claim the ornamental design for a chair for stairlifts, as shown and described.

DESCRIPTION

FIG. 1 is a perspective view of a chair for stairlifts showing our new design;

FIG. 2 is a front view of the same;

FIG. 3 is a back view of the same;

FIG. 4 is a right side view of the same;

FIG. 5 is a left side view of the same;

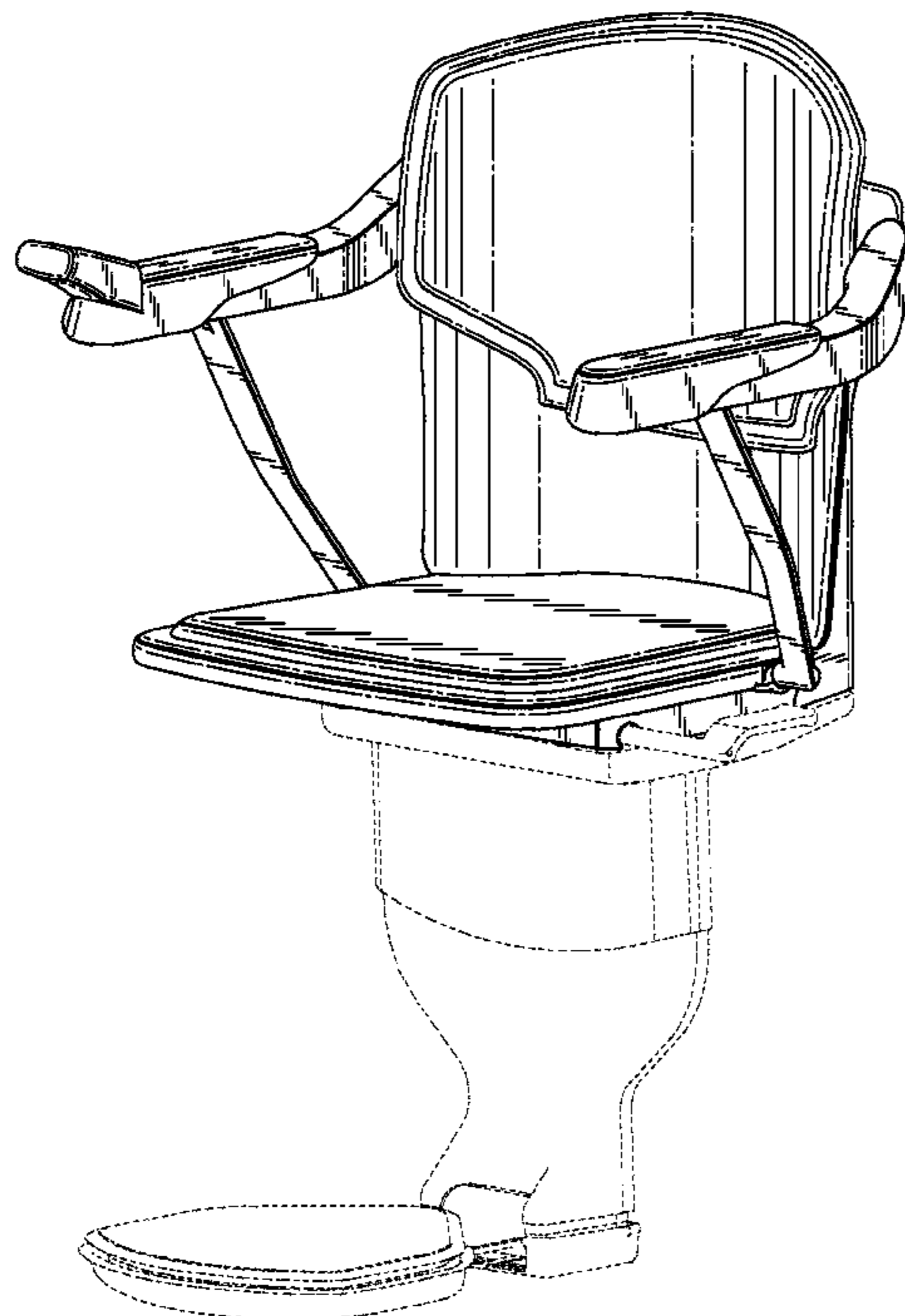
FIG. 6 is a top view of the same;

FIG. 7 is a bottom view of same; and,

FIG. 8 is a bottom view thereof, the unclaimed environmental structure removed for ease of illustration.

The broken line showing is included for the purpose of illustrating environment and forms no part of the claimed design.

1 Claim, 5 Drawing Sheets



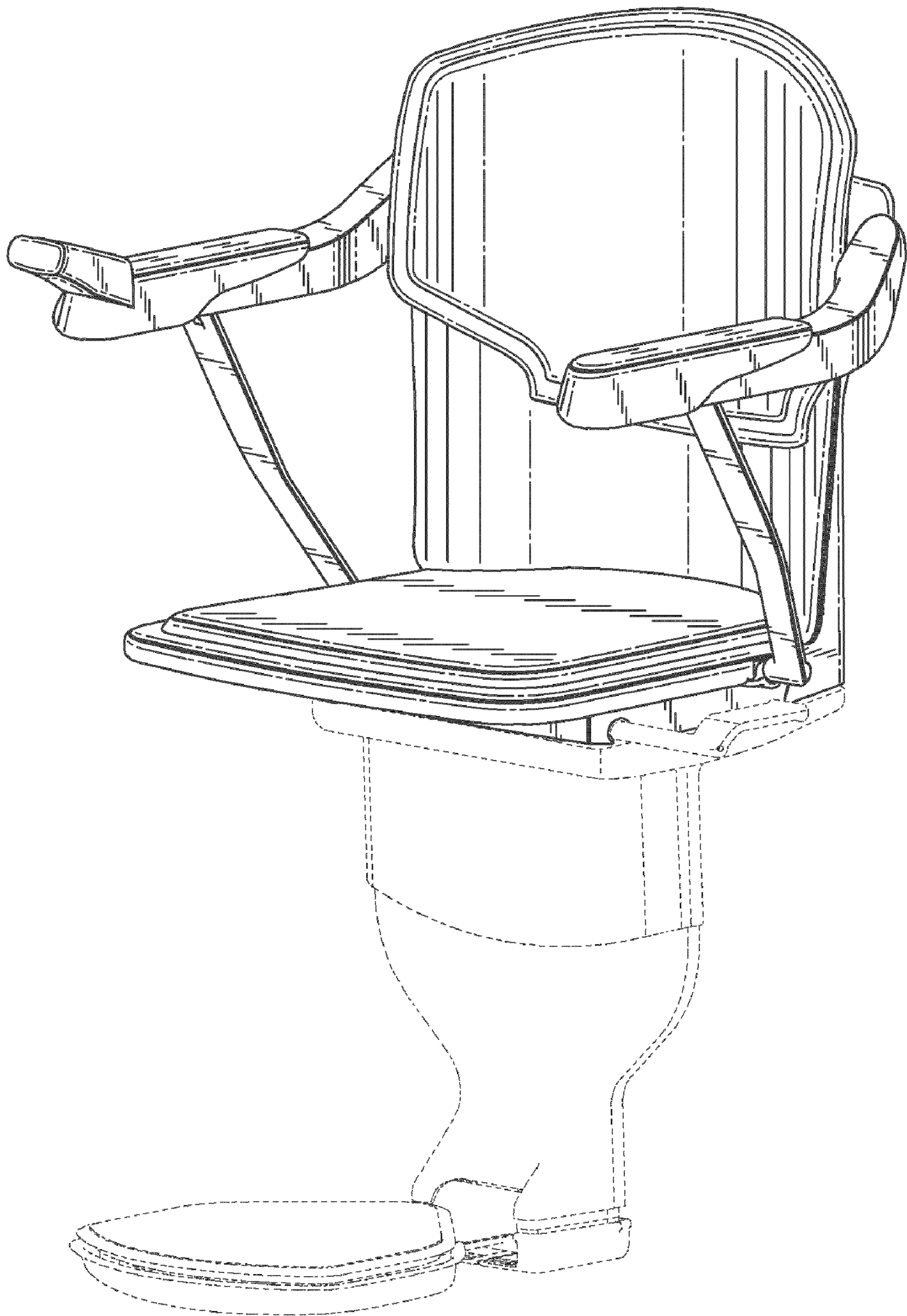


Fig. 1

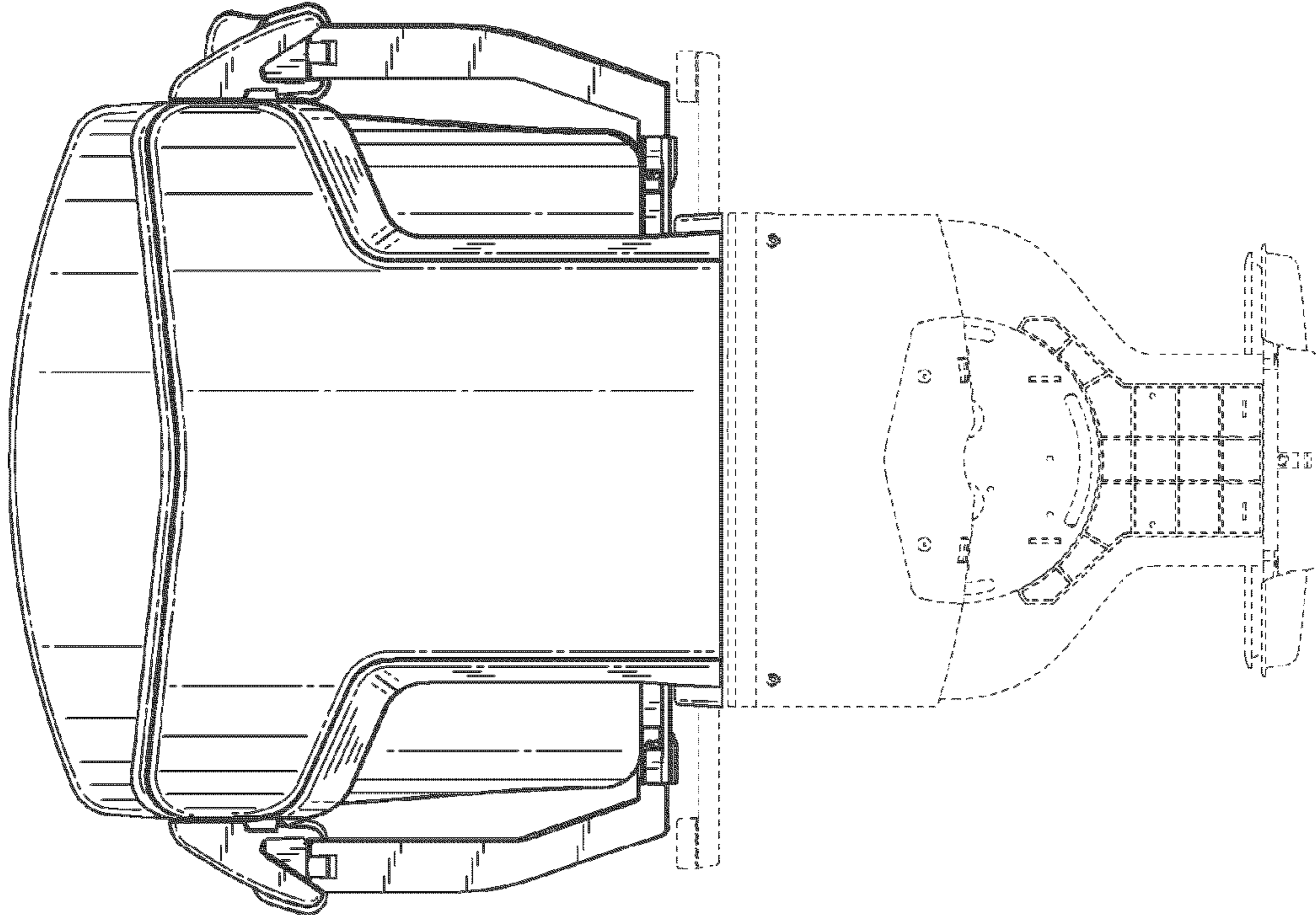


Fig. 3

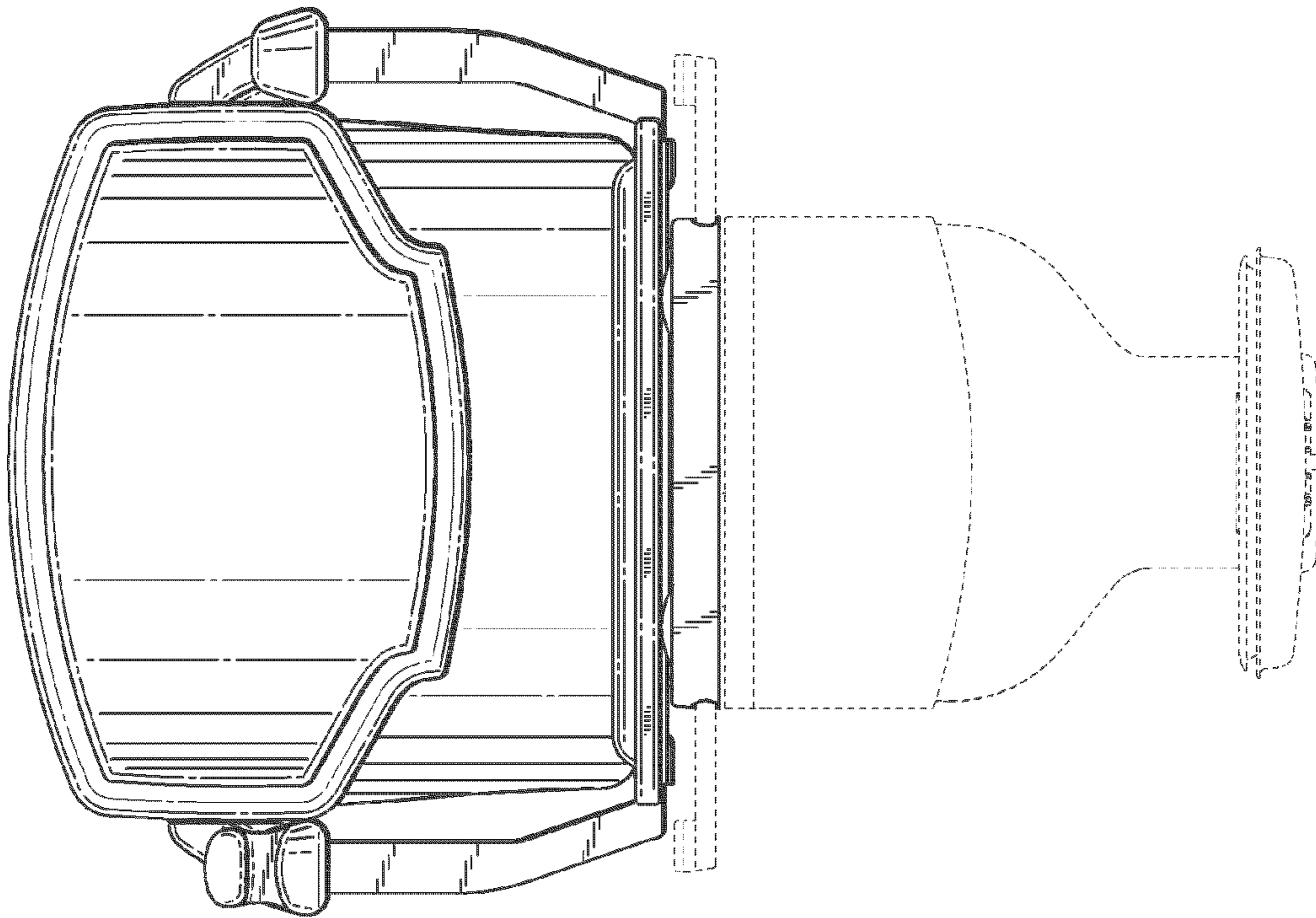


Fig. 2

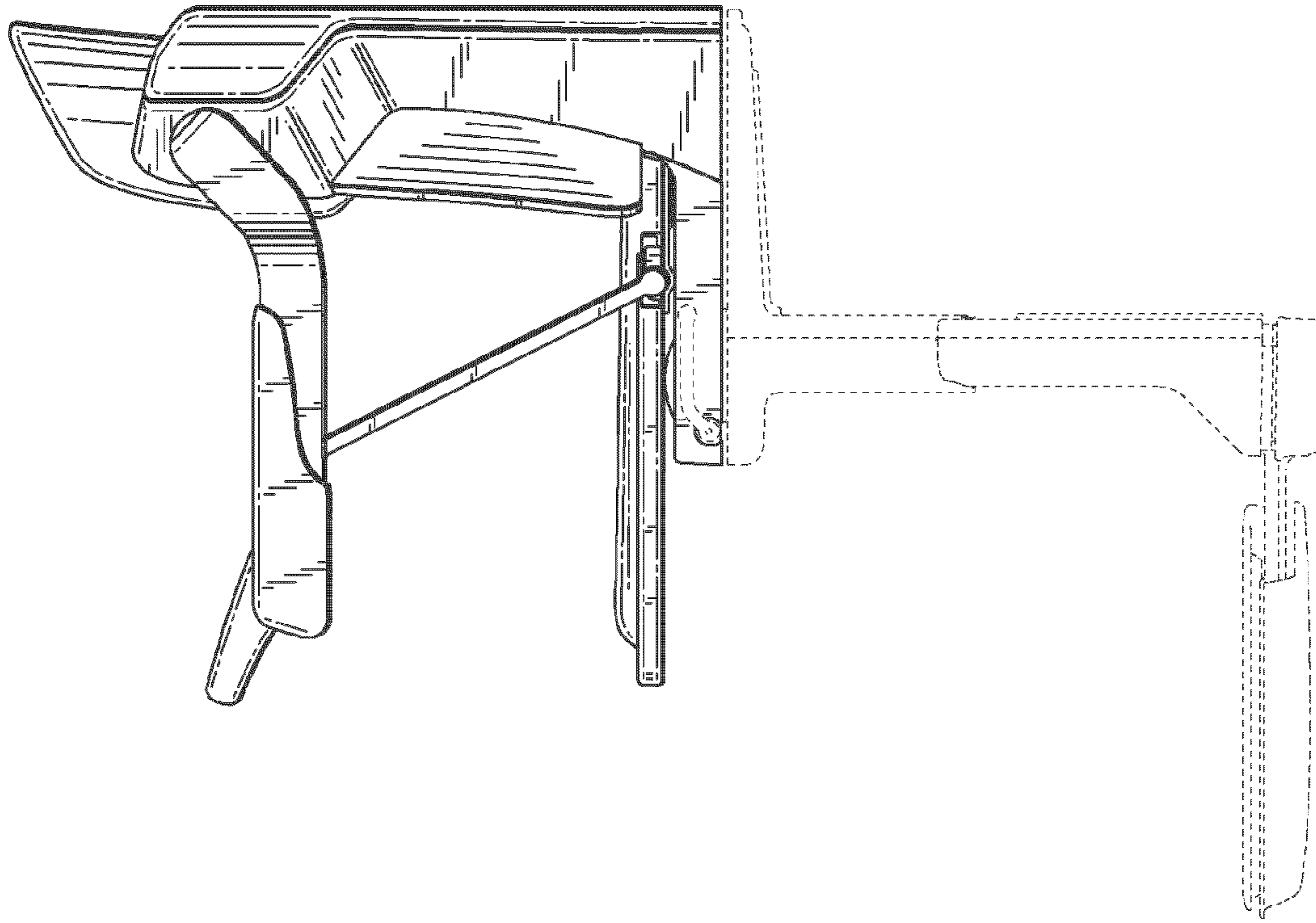


Fig. 5

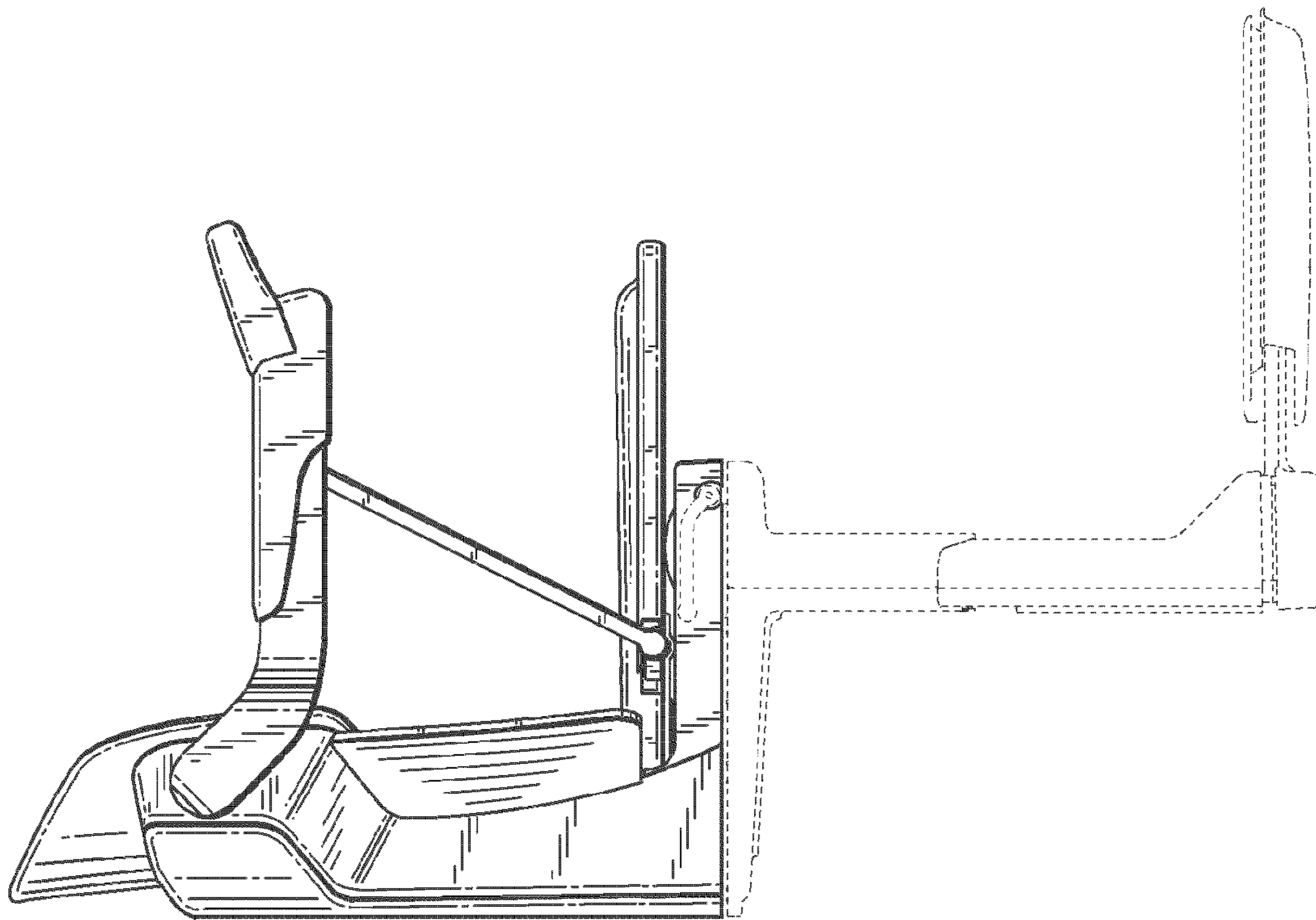


Fig. 4

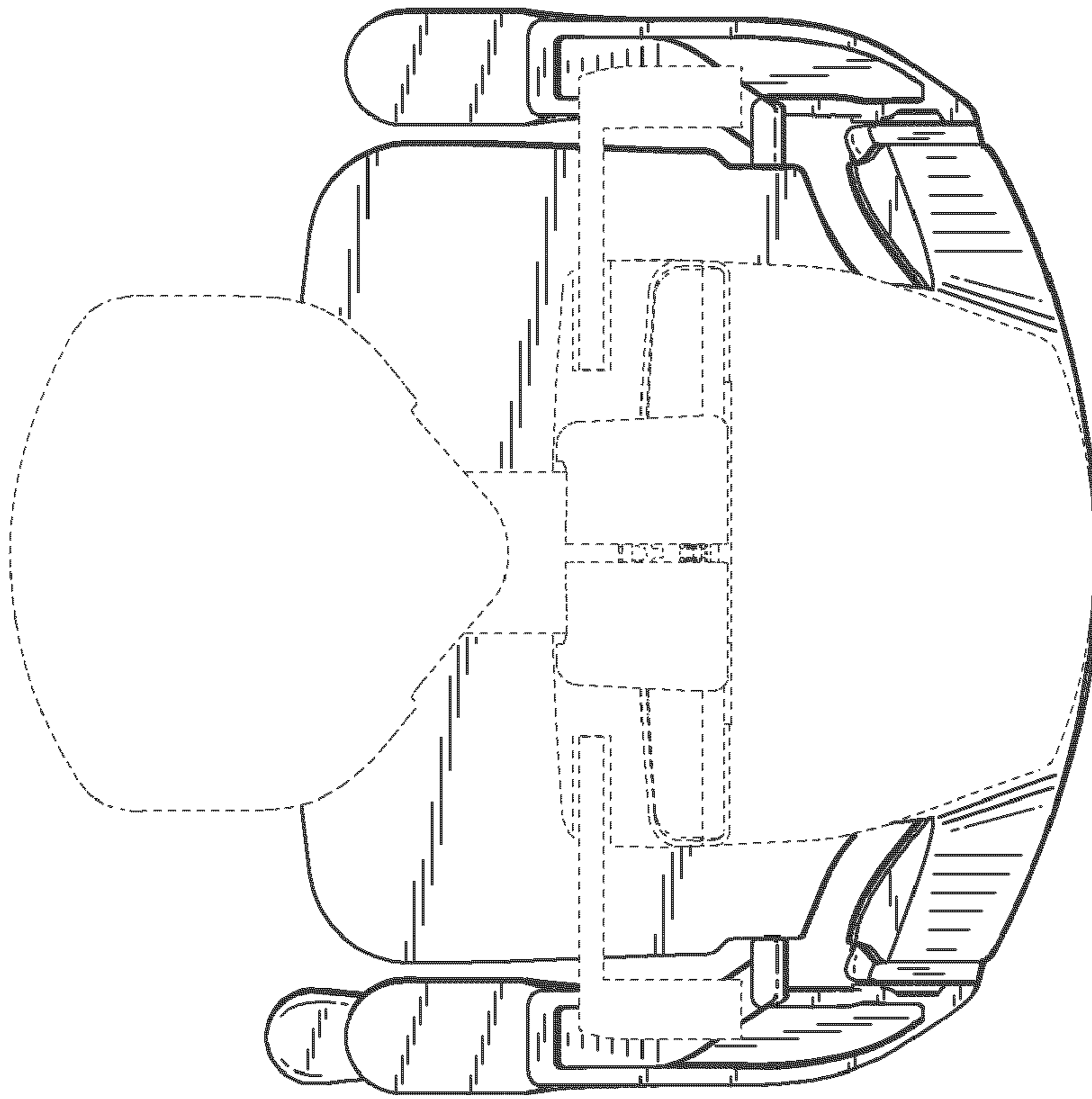


Fig. 7

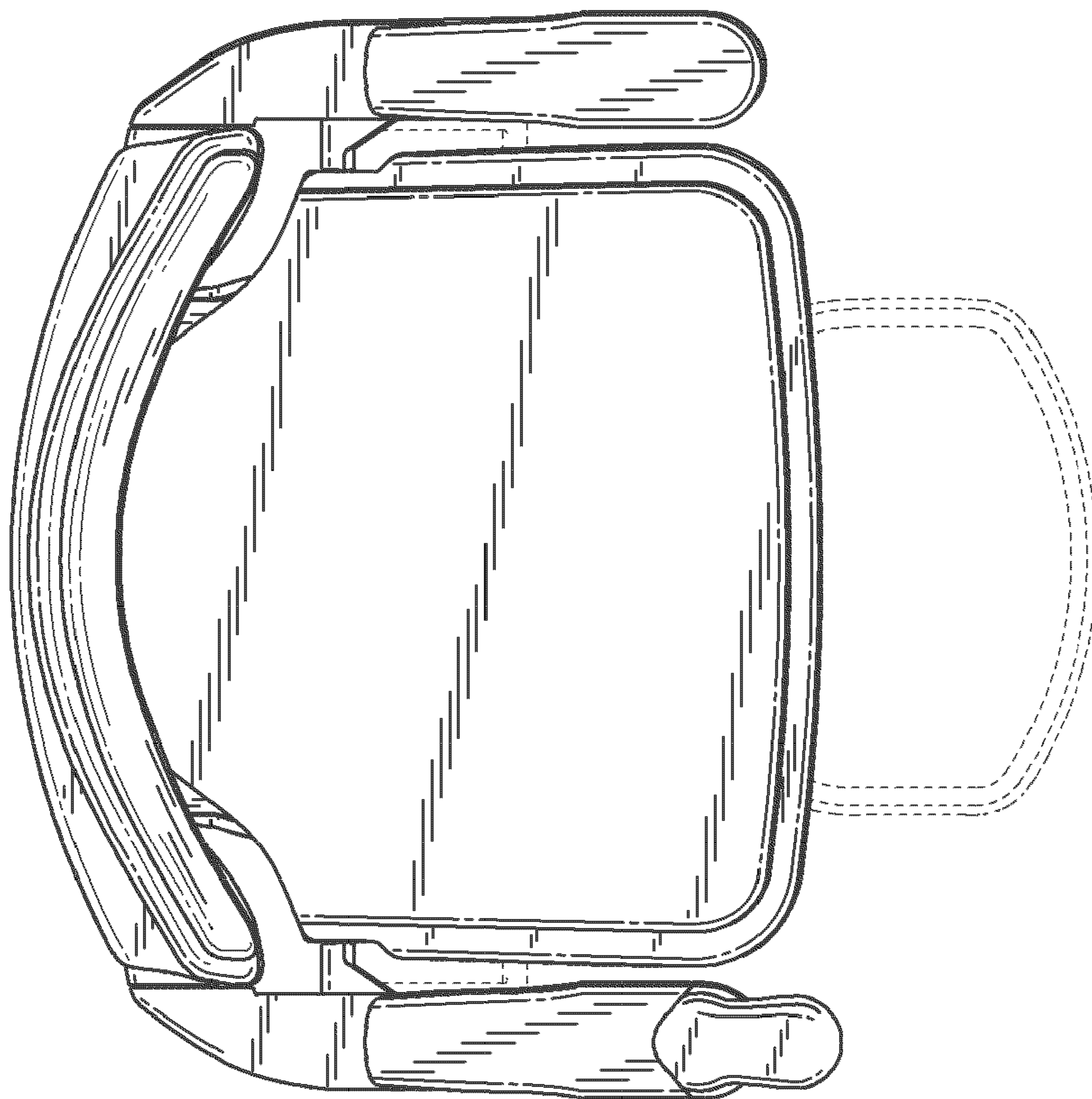


Fig. 6

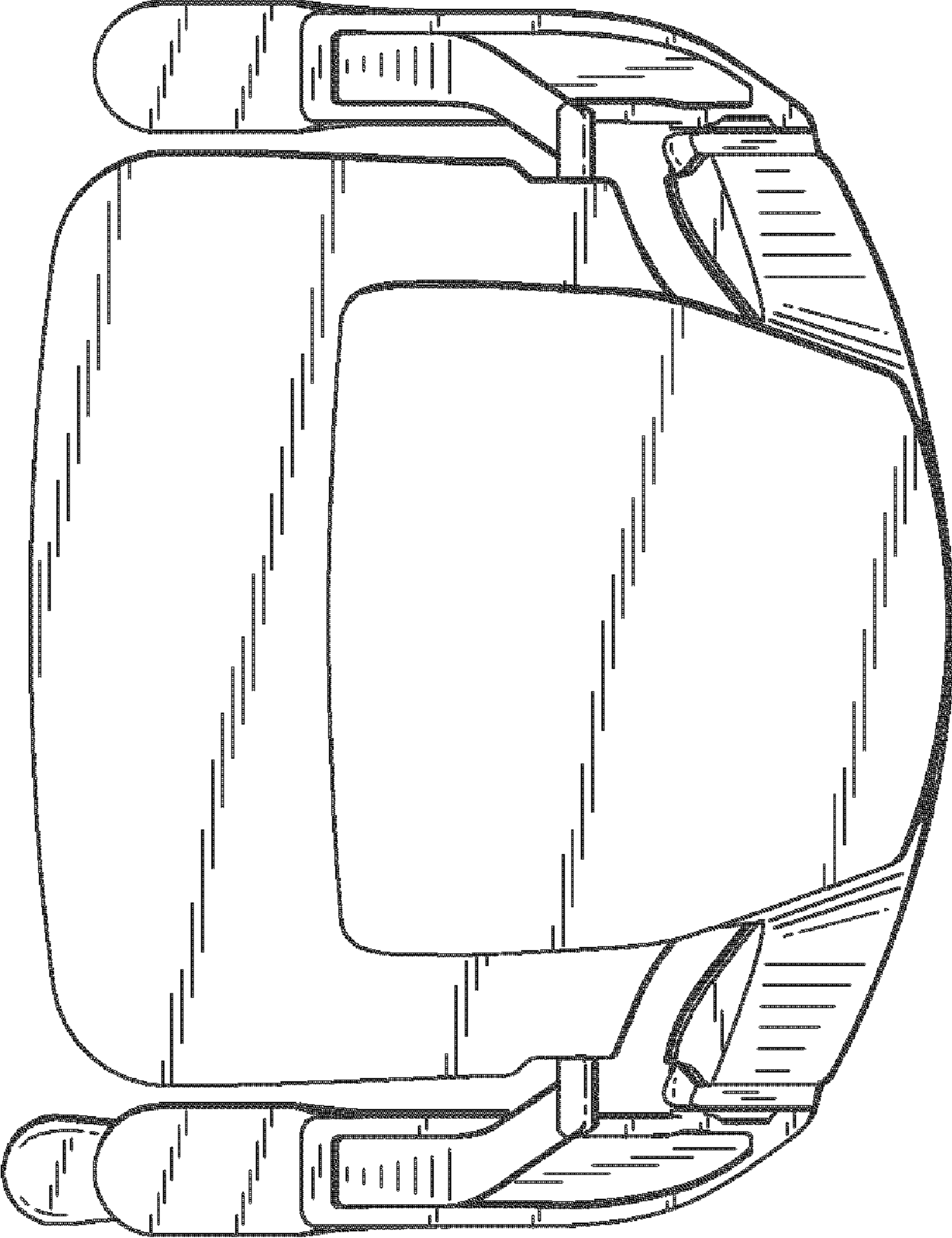


Fig. 8