



US00D565472S

(12) **United States Design Patent**  
**Hohdorf et al.**

(10) **Patent No.:** **US D565,472 S**  
(45) **Date of Patent:** **\*\* Apr. 1, 2008**

(54) **MOTORCYCLE, TOY, OR MOTORCYCLE  
REPLICA**

(75) Inventors: **Volker Hohdorf**, Augsburg (DE);  
**Edgar Heinrich**, Freising (DE); **David  
Irwin Robb**, Munich (DE)

(73) Assignee: **Bayerische Motoren Werke  
Aktiengesellschaft**, Munich (DE)

(\*\*) Term: **14 Years**

(21) Appl. No.: **29/273,011**

(22) Filed: **Feb. 26, 2007**

(30) **Foreign Application Priority Data**

Aug. 25, 2006 (DE) ..... 40604511

(51) **LOC (8) Cl.** ..... **12-11**

(52) **U.S. Cl.** ..... **D12/110**

(58) **Field of Classification Search** ..... D12/110;  
180/219, 220, 225, 229; D21/432, 458; 446/440;  
280/827, 828

See application file for complete search history.

(56) **References Cited**

**U.S. PATENT DOCUMENTS**

D383,096 S \* 9/1997 Abe et al. .... D12/110  
D398,265 S \* 9/1998 Robb et al. .... D12/110  
D400,605 S \* 11/1998 Rodriguez Ferre ..... D21/538  
D406,801 S \* 3/1999 Robb et al. .... D12/110  
D422,244 S \* 4/2000 Heinrich et al. .... D12/110

D444,103 S \* 6/2001 Robb et al. .... D12/110  
**OTHER PUBLICATIONS**

“KTM 640DUKE,” *Autobi*, Feb. 1, 2003, p. 93, Japanese Patent  
Office Design Patent Archives Reference HA14025457.

\* cited by examiner

*Primary Examiner*—Cathron Brooks

*Assistant Examiner*—Linda Brooks

(74) *Attorney, Agent, or Firm*—Crowell & Moring LLP

(57) **CLAIM**

The ornamental design for a motorcycle, toy, or motorcycle  
replica, as shown and described.

**DESCRIPTION**

FIG. 1 is a left, front perspective view of a motorcycle, toy,  
or motorcycle replica according to our novel design;

FIG. 2 is a right, front perspective view thereof;

FIG. 3 is a left, rear perspective view thereof;

FIG. 4 is a right, rear perspective view thereof;

FIG. 5 is a left side view thereof;

FIG. 6 is a right side view thereof;

FIG. 7 is a front view thereof;

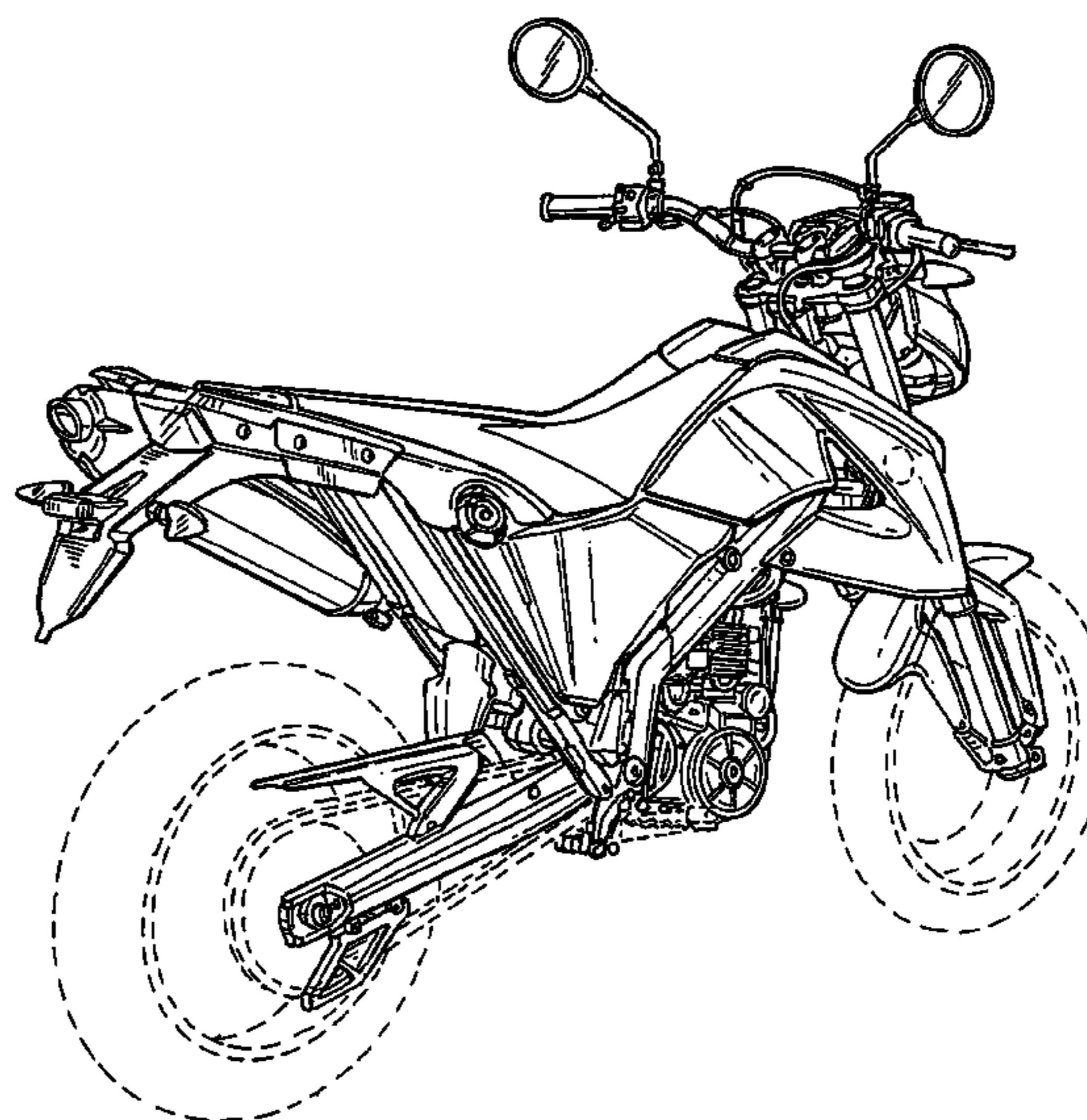
FIG. 8 is a rear view thereof;

FIG. 9 is a top view thereof; and,

FIG. 10 is a bottom view thereof.

The broken lines showing portions of the motorcycle, toy, or  
motorcycle replica form no part of the claimed design.

**1 Claim, 9 Drawing Sheets**



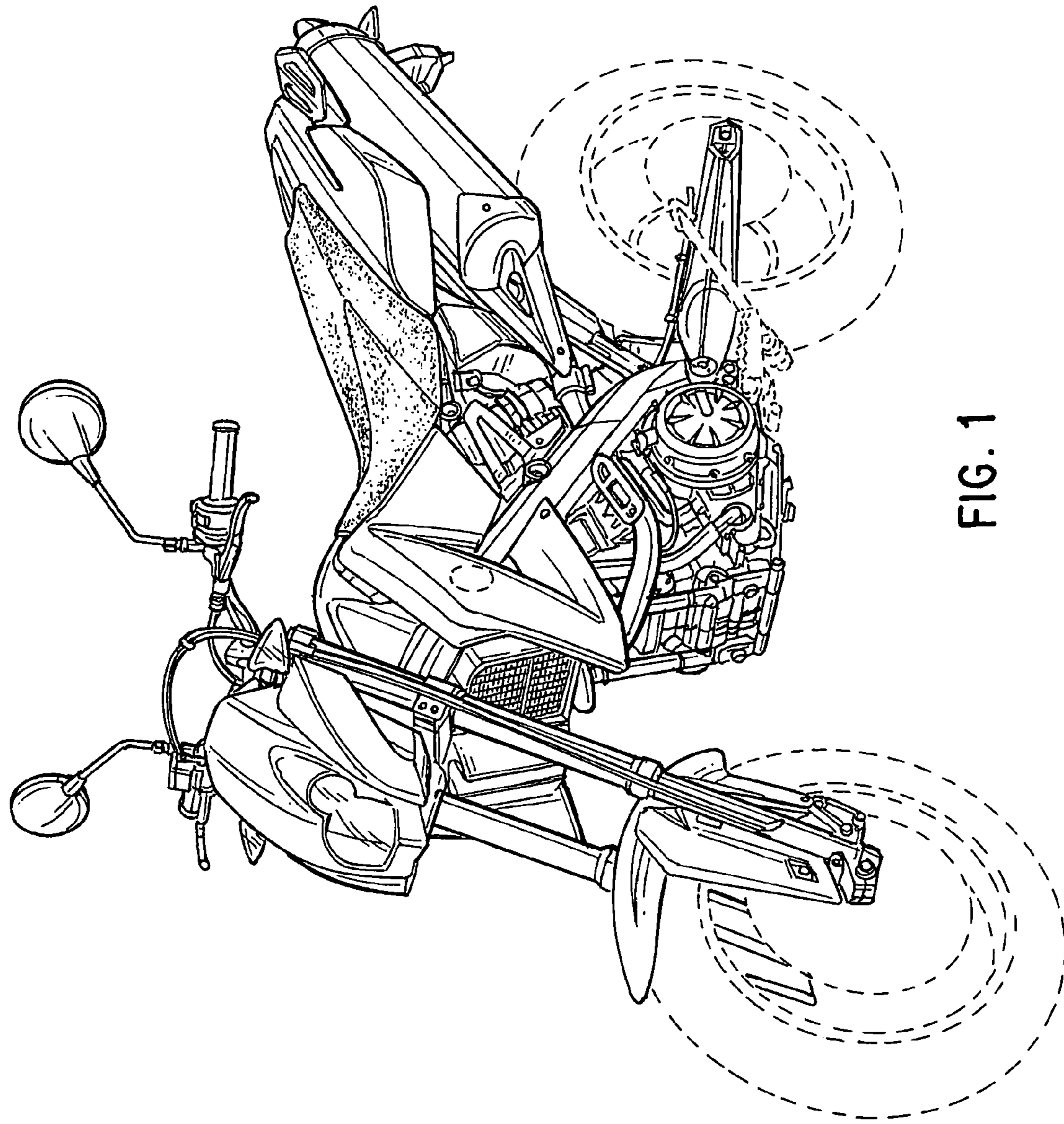


FIG. 1



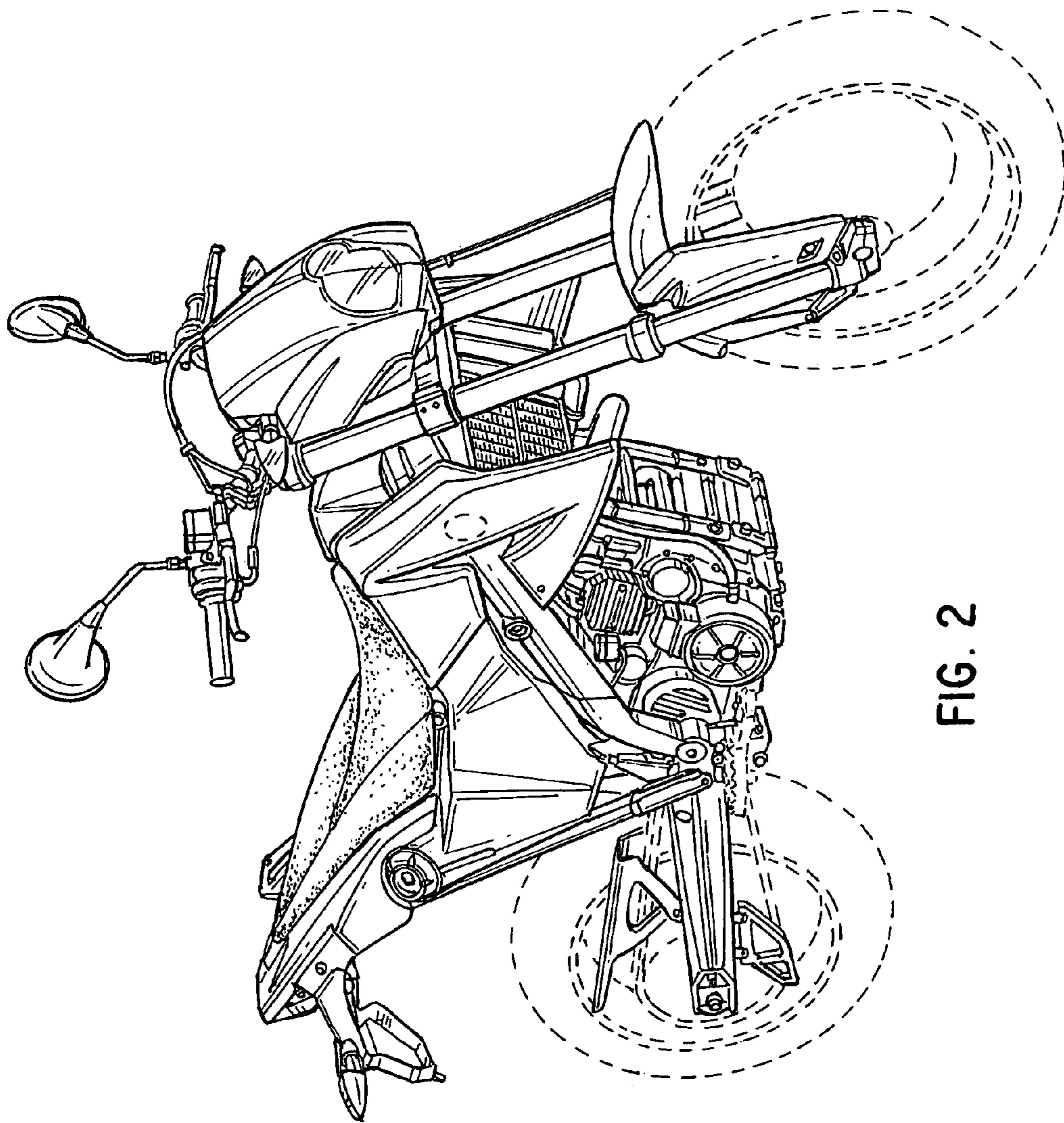


FIG. 2

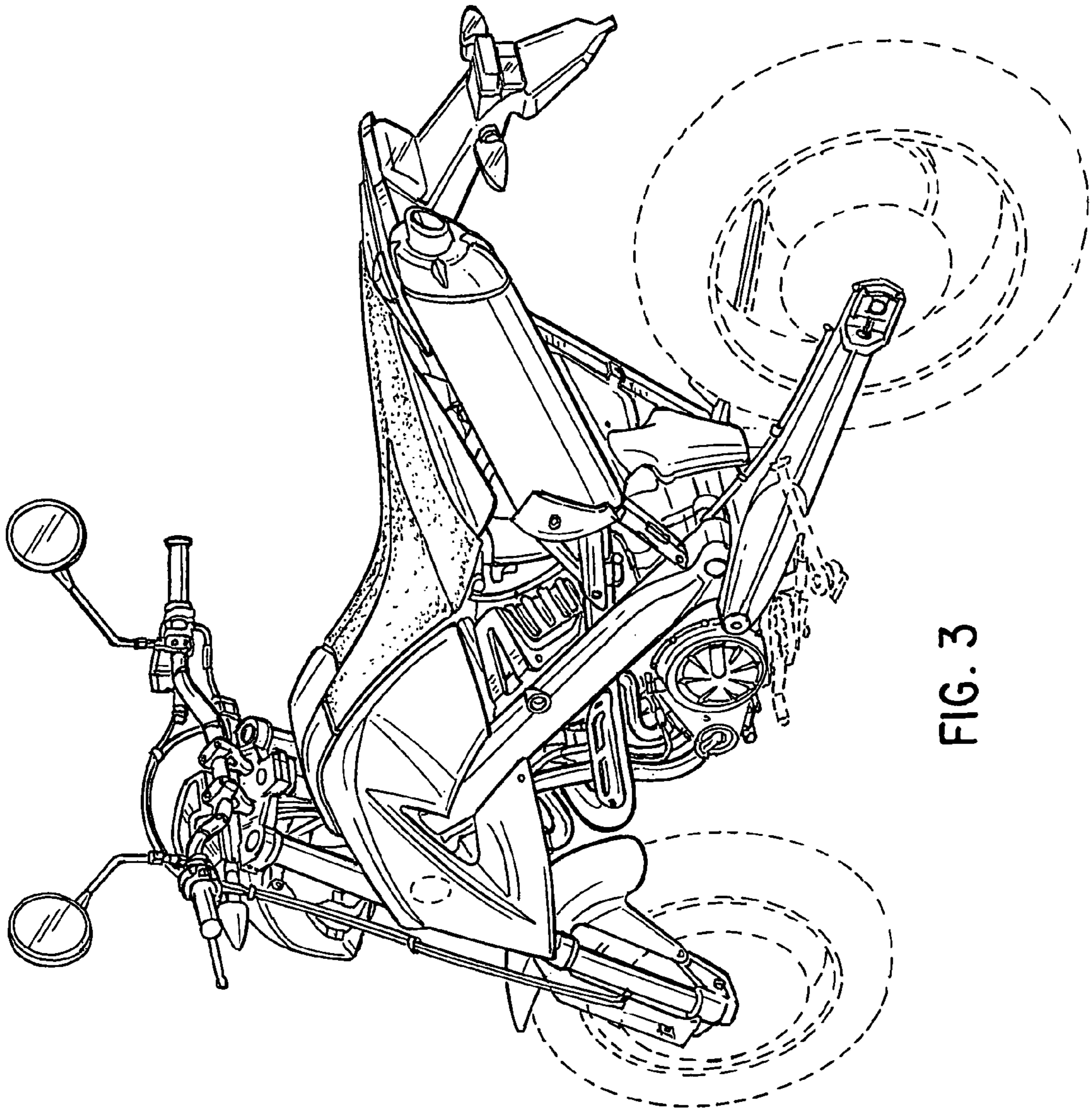


FIG. 3

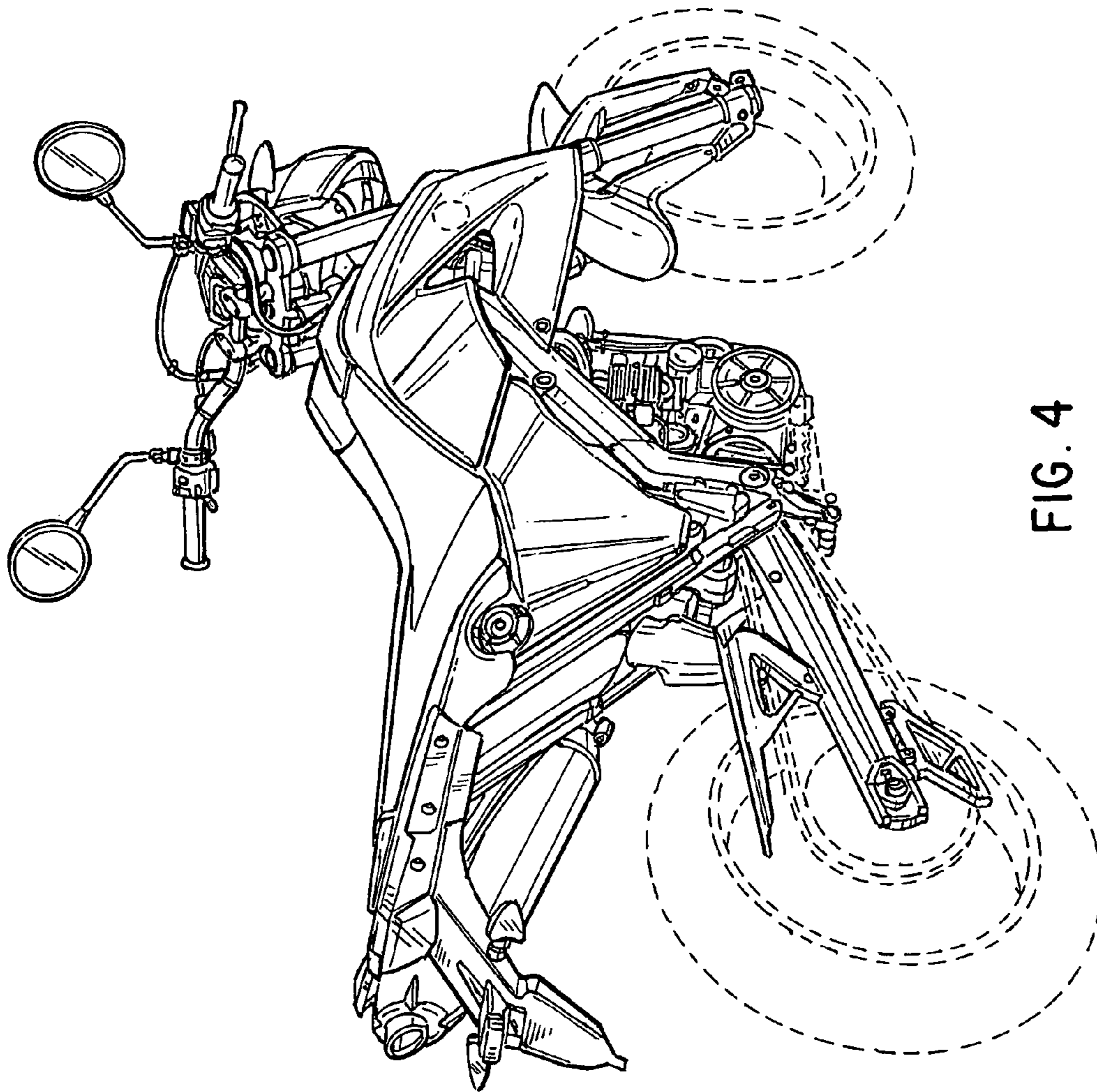


FIG. 4



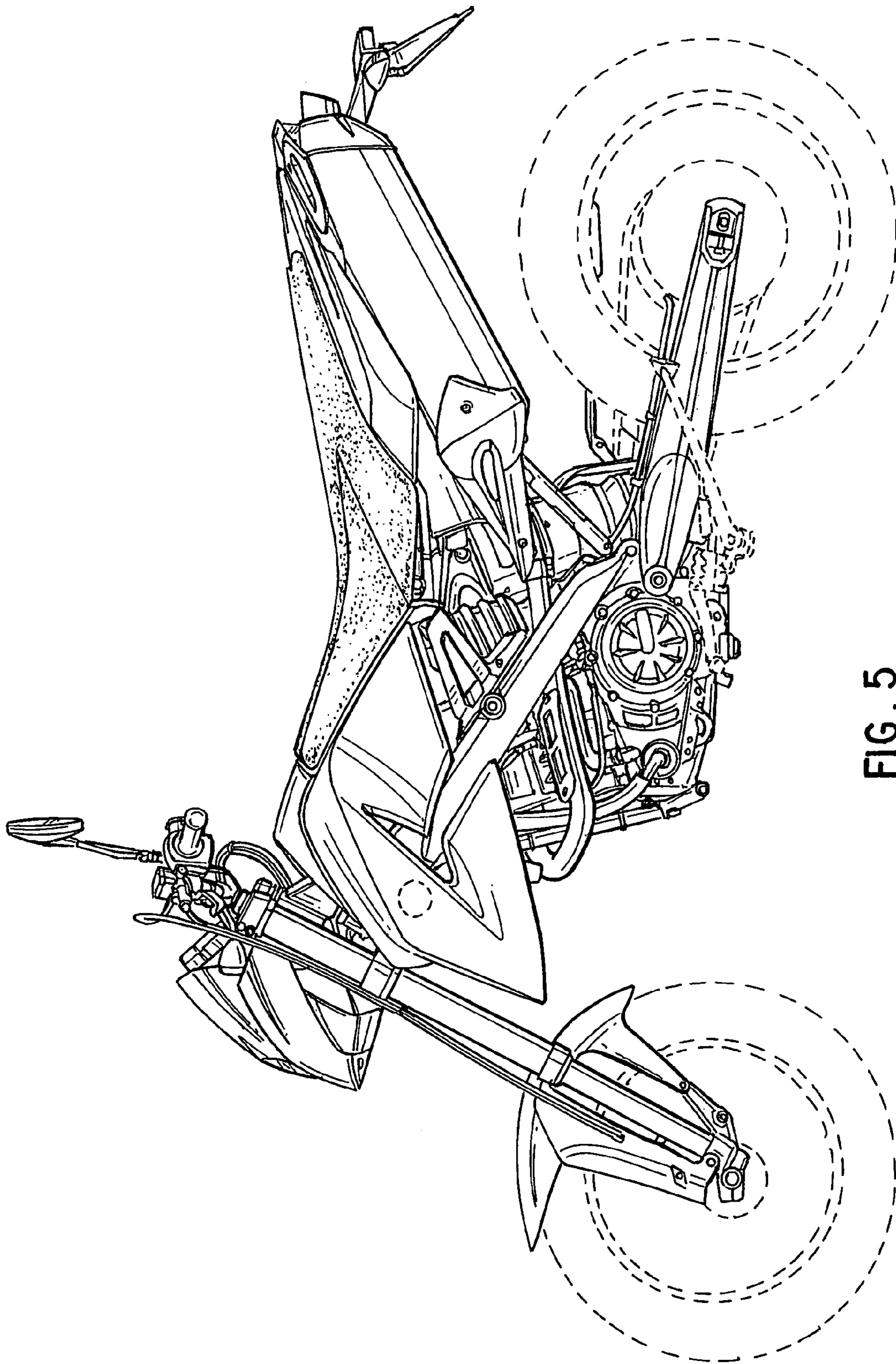


FIG. 5

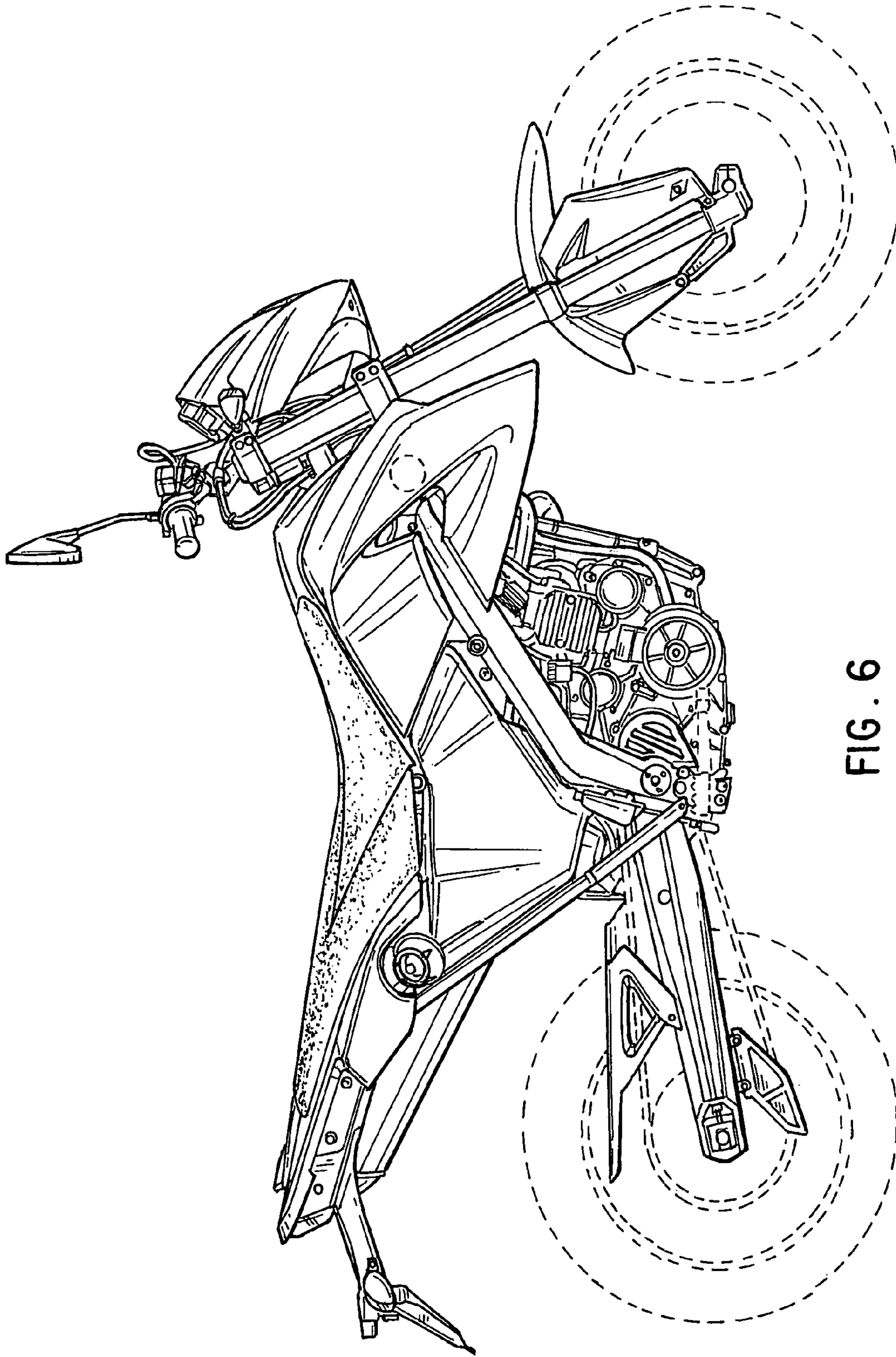


FIG. 6

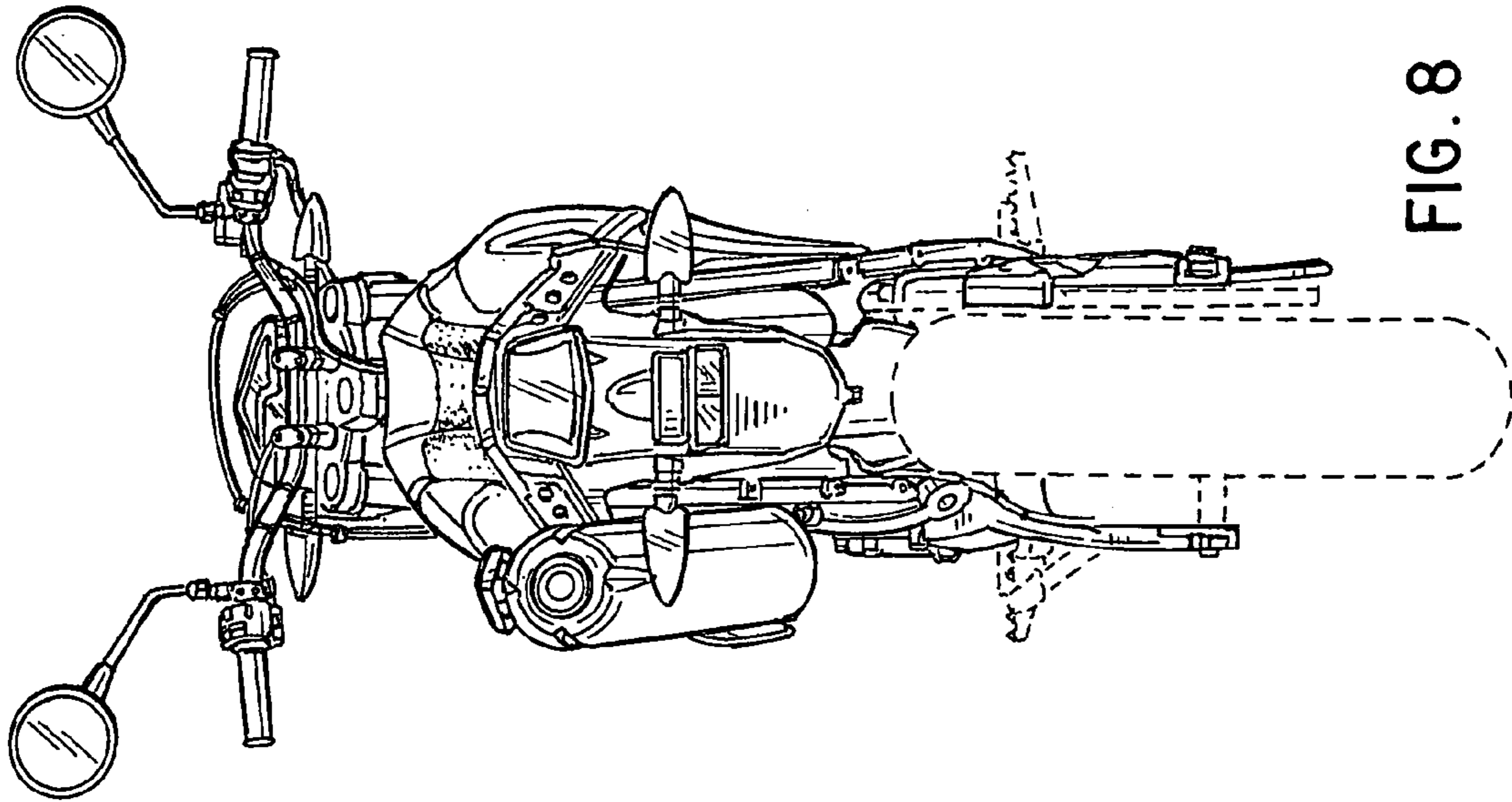


FIG. 8

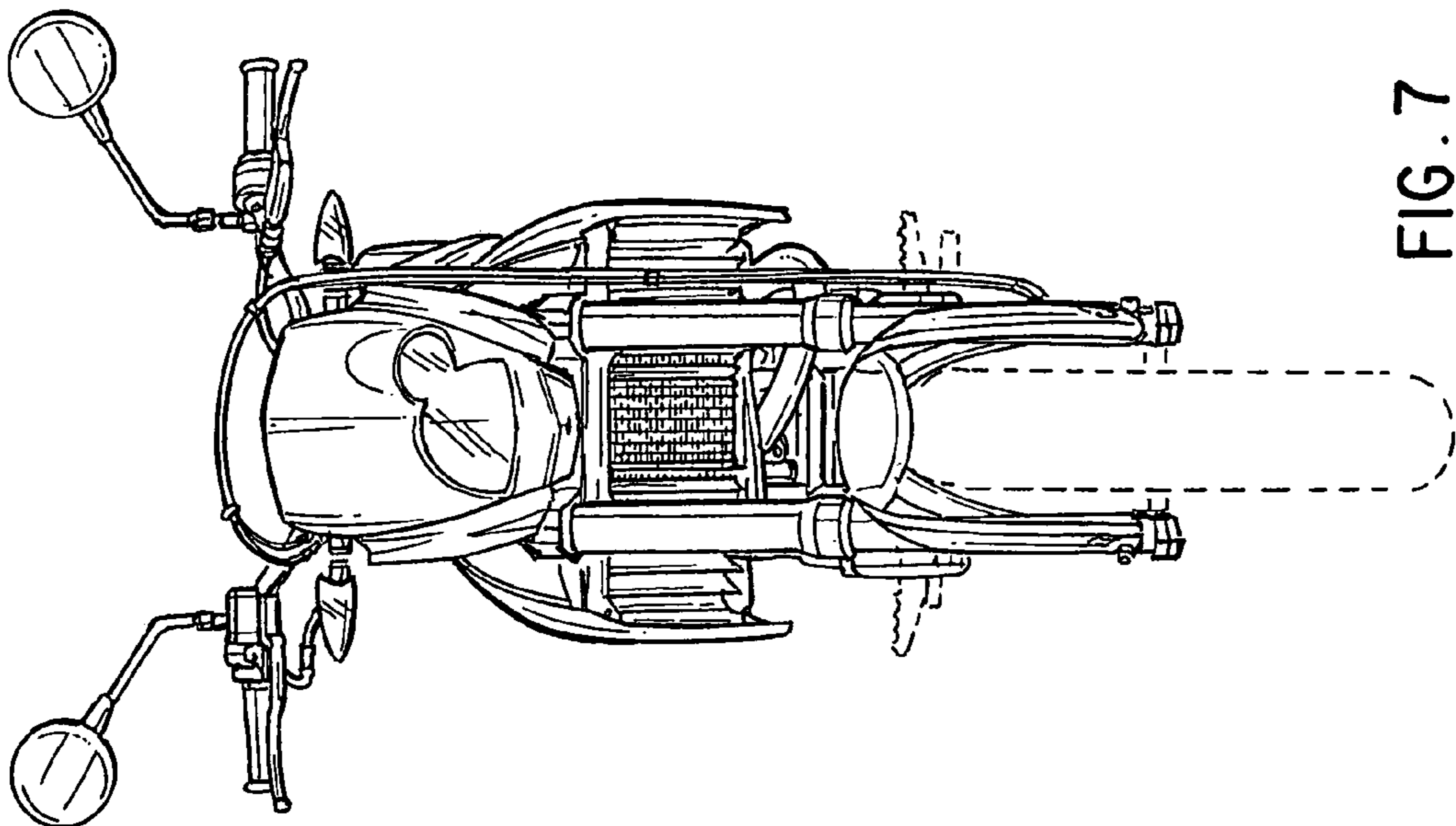


FIG. 7



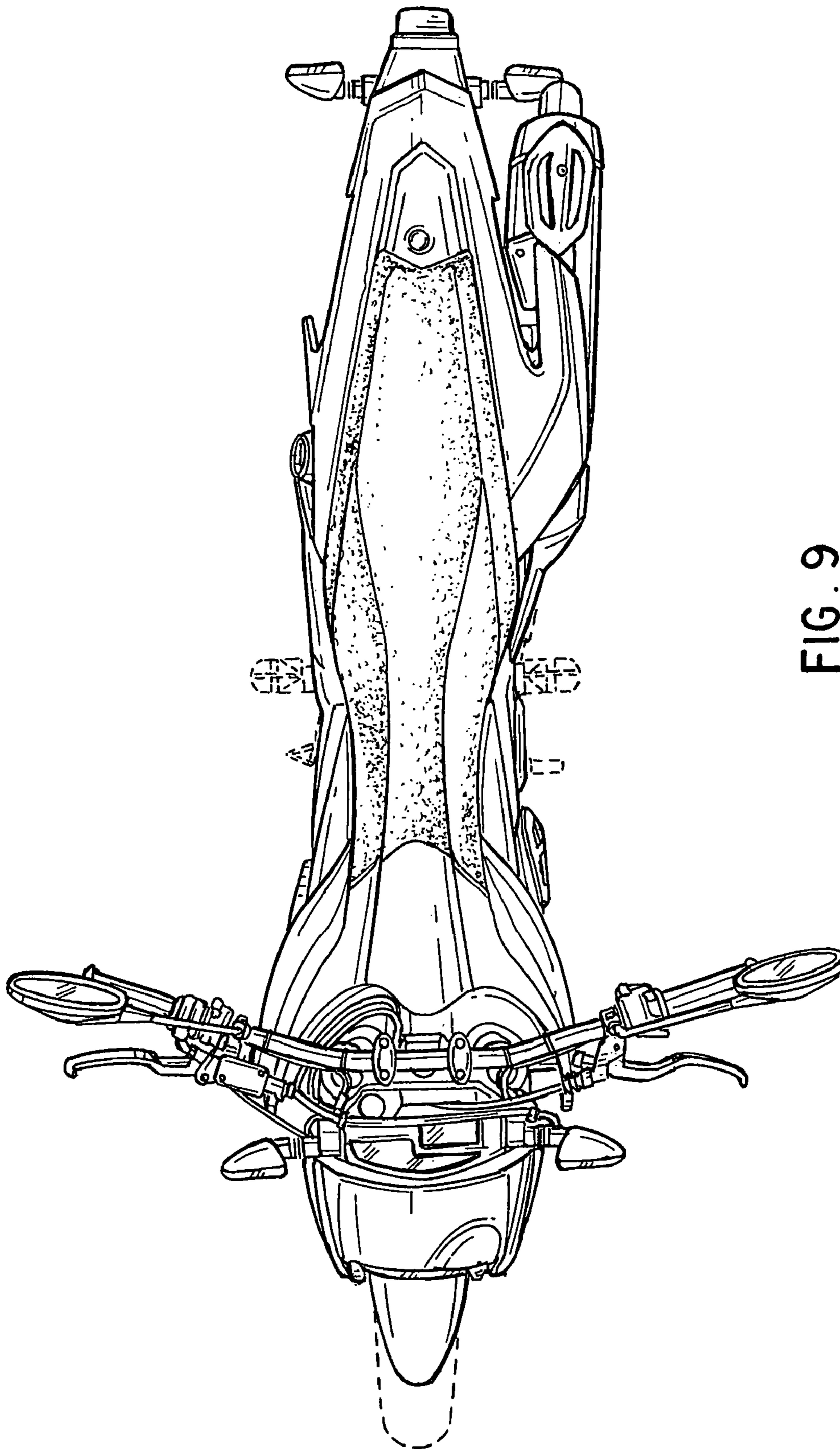


FIG. 9

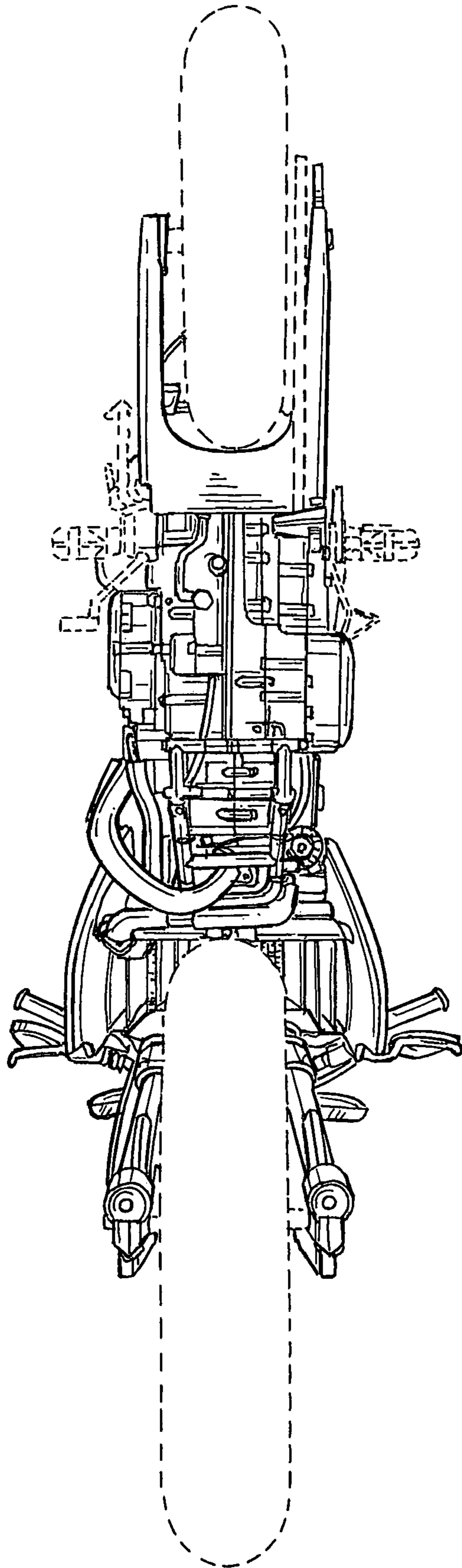


FIG. 10