



US00D565470S

(12) **United States Design Patent**
Liu

(10) **Patent No.:** **US D565,470 S**

(45) **Date of Patent:** **** Apr. 1, 2008**

(54) **VEHICLE SHAPE BIKE TRAILER**

(76) Inventor: **Ssu-Liu Liu**, 2F., No. 44, Lane 11,
Kuang Fu N. Rd., Taipei (TW)

(**) Term: **14 Years**

(21) Appl. No.: **29/290,018**

(22) Filed: **Oct. 11, 2007**

(51) **LOC (8) Cl.** **12-10**

(52) **U.S. Cl.** **D12/102**

(58) **Field of Classification Search** D12/101-106,
D12/111-112; 280/475, 204, 63, 418.6,
280/656-658, 763.1, 47.25; 296/173, 190,
296/181.2-181.3, 183.1, 100.01-100.08;
D21/424, 435; D34/24
See application file for complete search history.

(56) **References Cited**

U.S. PATENT DOCUMENTS

D351,575 S *	10/1994	Fenton et al.	D12/102
D377,633 S *	1/1997	Hutchins	D12/102
D383,094 S *	9/1997	Mast	D12/102
D384,010 S *	9/1997	Chiu	D12/102
D392,599 S *	3/1998	Sjoberg et al.	D12/102
D400,125 S *	10/1998	Chiu	D12/102
D400,476 S *	11/1998	Winchester	D12/102

D411,144 S *	6/1999	Hamers	D12/102
D464,290 S *	10/2002	Spaulding	D12/102
D506,162 S *	6/2005	Collinson	D12/102
D522,921 S *	6/2006	Rugh et al.	D12/102
D545,244 S *	6/2007	James	D12/101
D556,091 S *	11/2007	Racich	D12/102

* cited by examiner

Primary Examiner—Stacia Cadmus

(74) *Attorney, Agent, or Firm*—Troxell Law Office, PLLC

(57) **CLAIM**

The ornamental design for vehicle shape bike trailer, as shown and described.

DESCRIPTION

FIG. 1 is a front perspective view of a vehicle shape bike trailer showing my new design;

FIG. 2 is a front elevational view thereof;

FIG. 3 is a rear elevational view thereof;

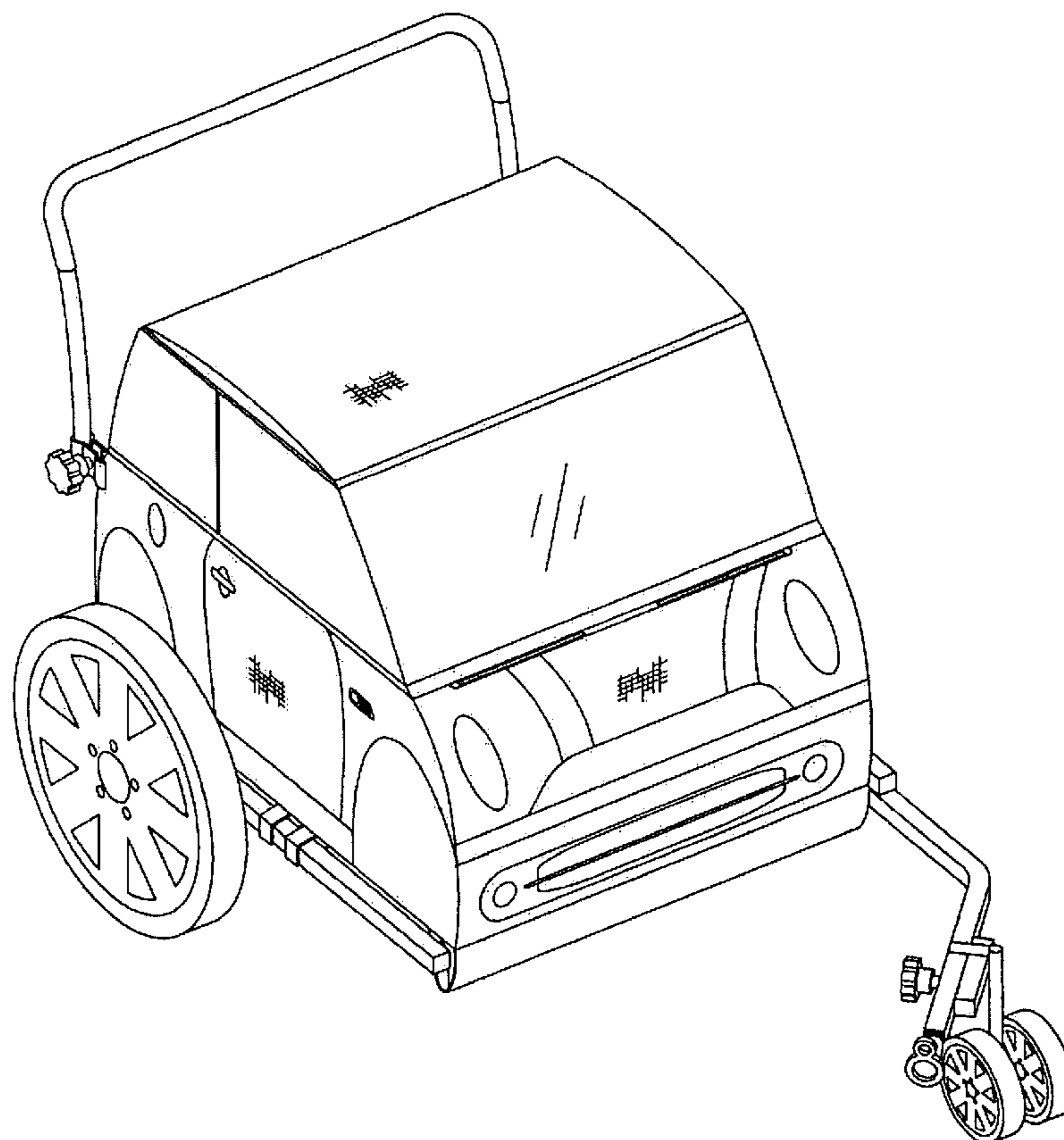
FIG. 4 is a top plan view thereof;

FIG. 5 is a bottom plan view thereof; and

FIG. 6 is a left side elevational view thereof; and,

FIG. 7 is a right side elevational view thereof.

1 Claim, 7 Drawing Sheets



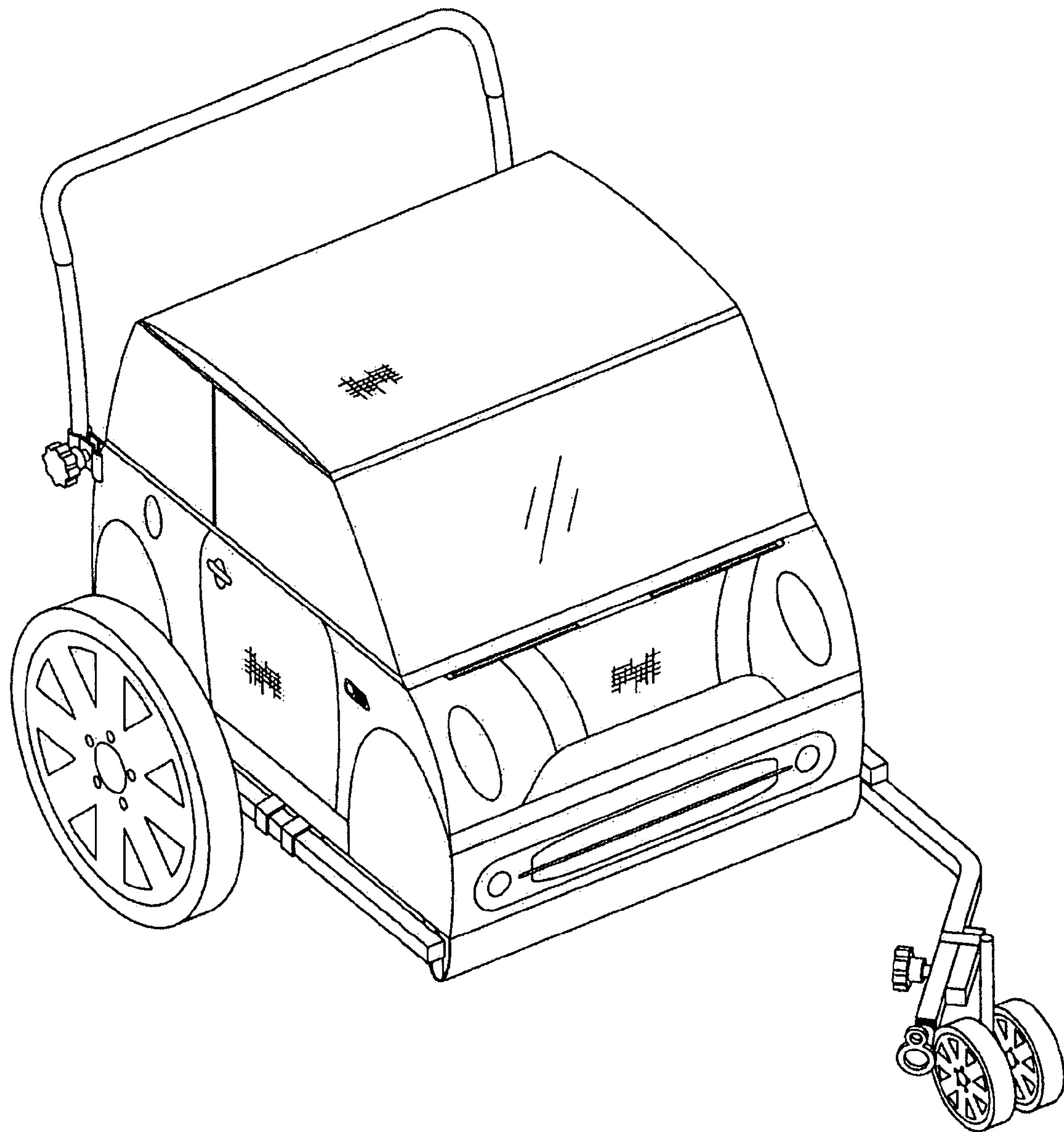


Fig. 1

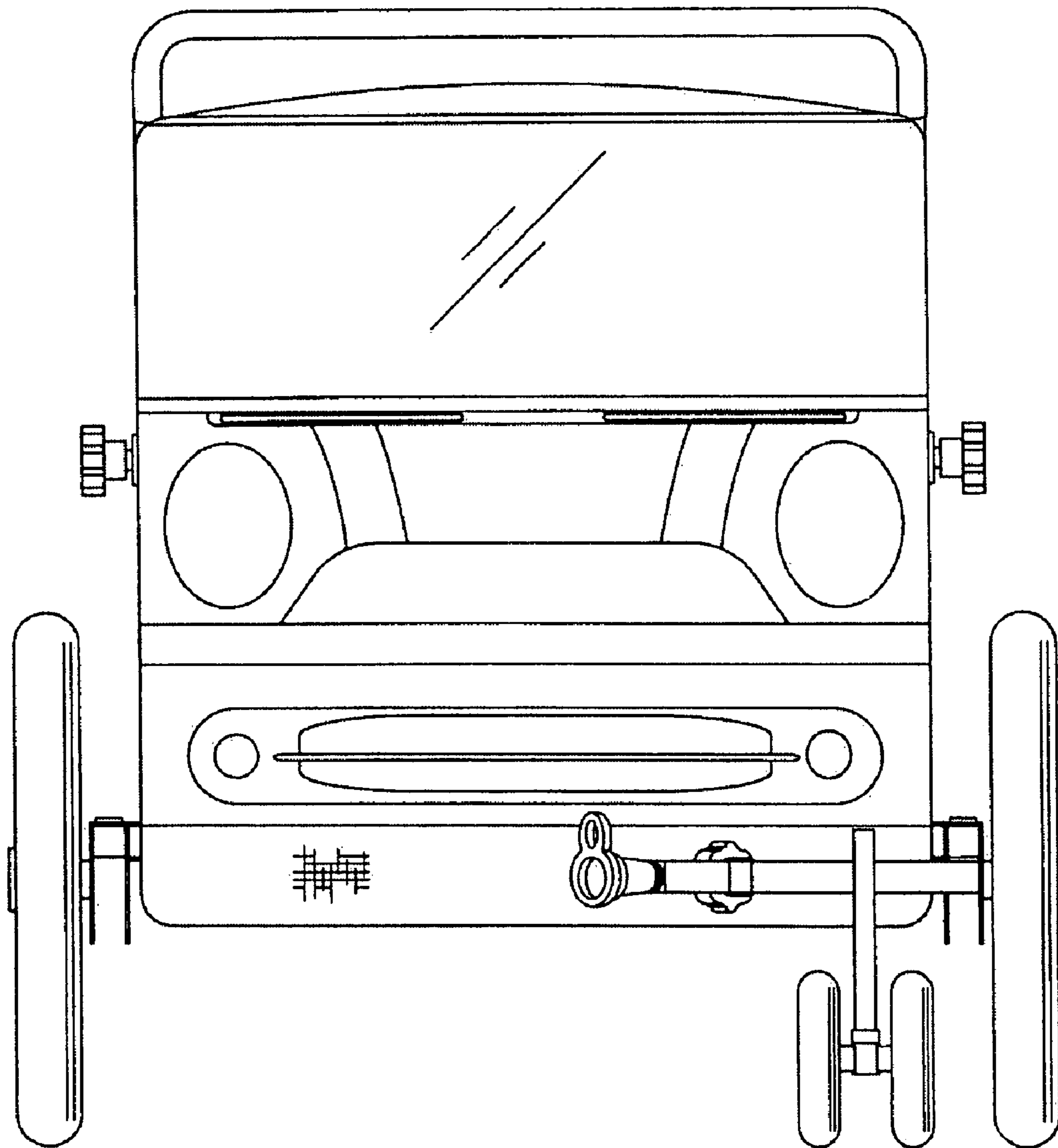


Fig. 2

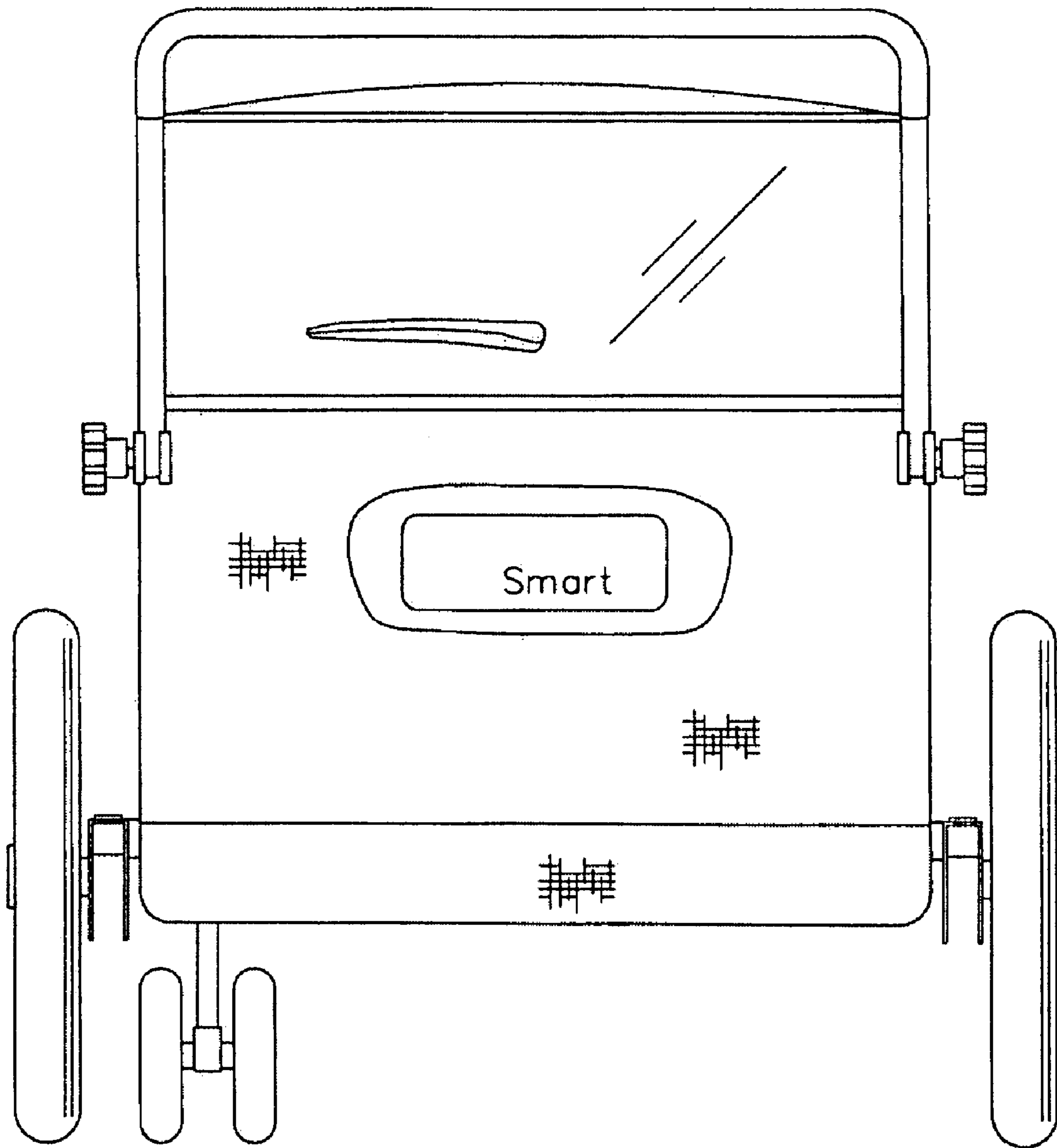


Fig. 3

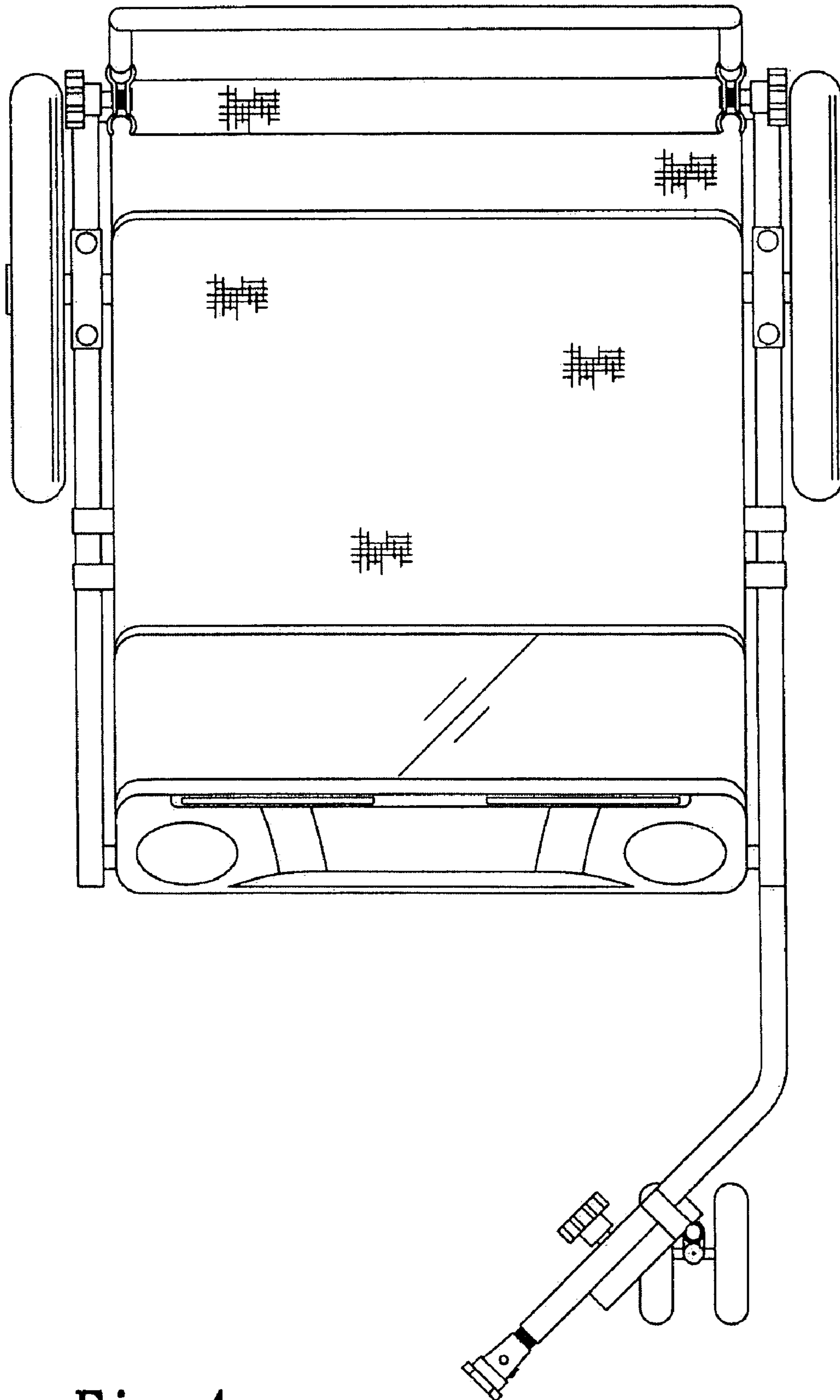


Fig. 4

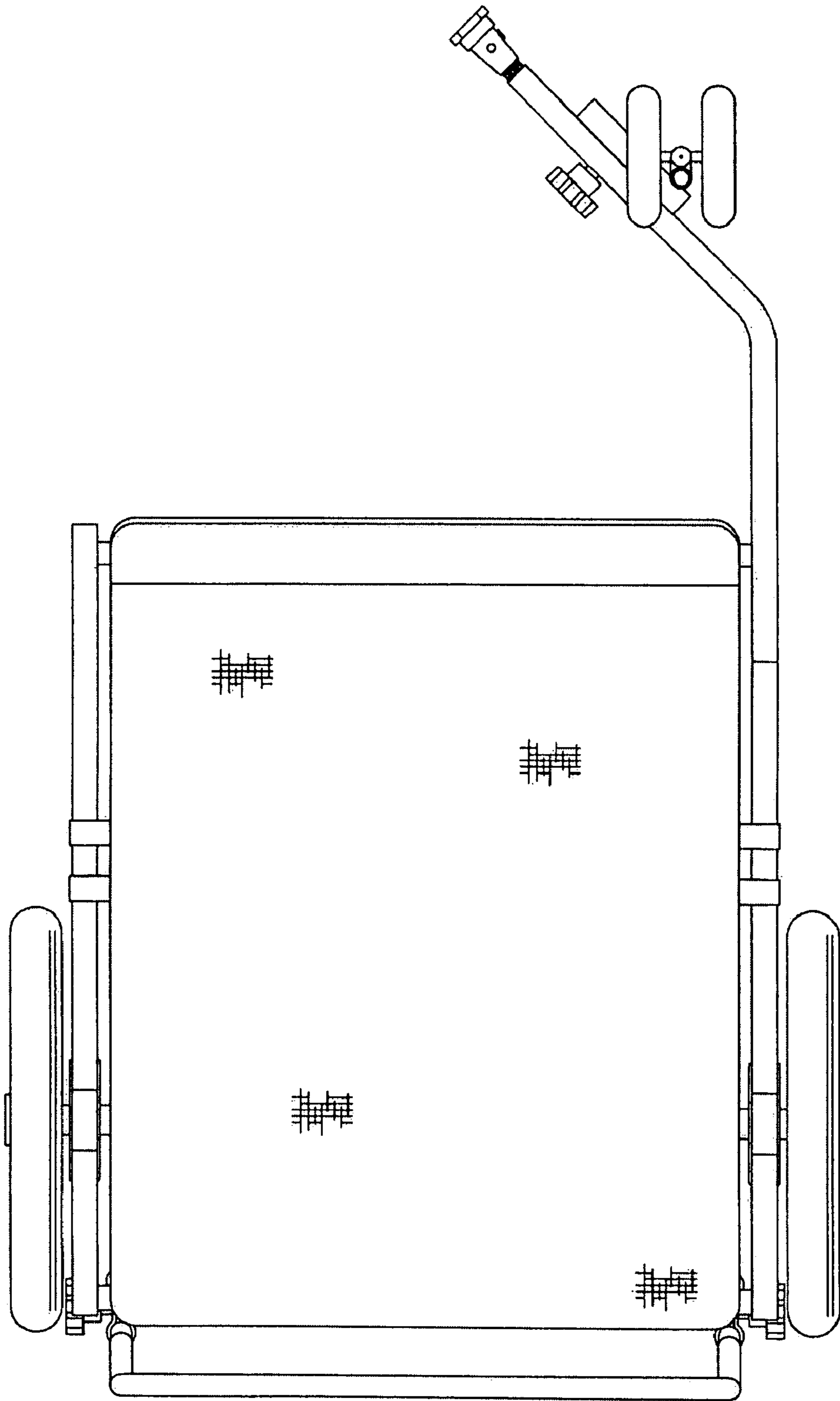


Fig. 5

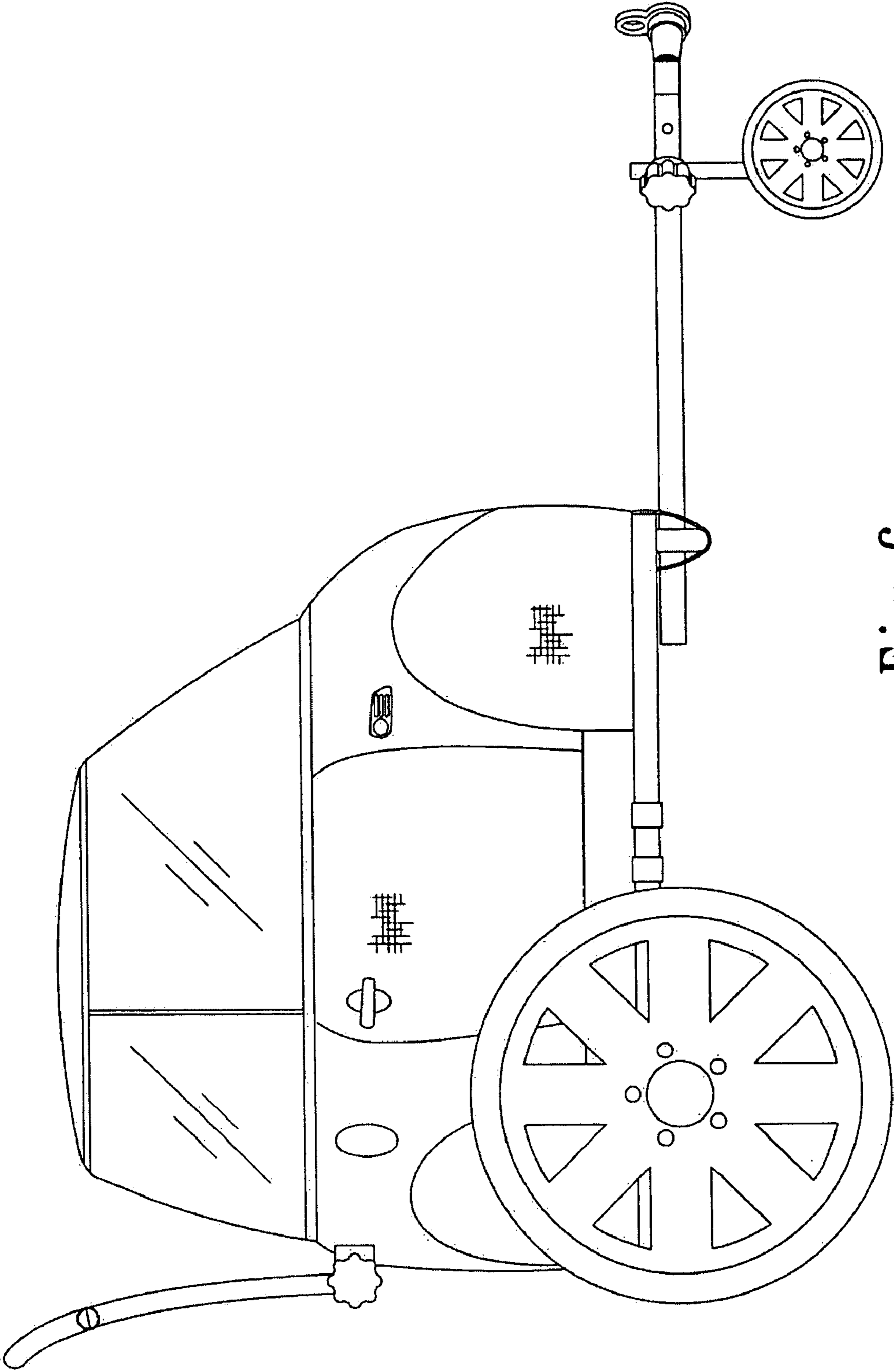


Fig. 6

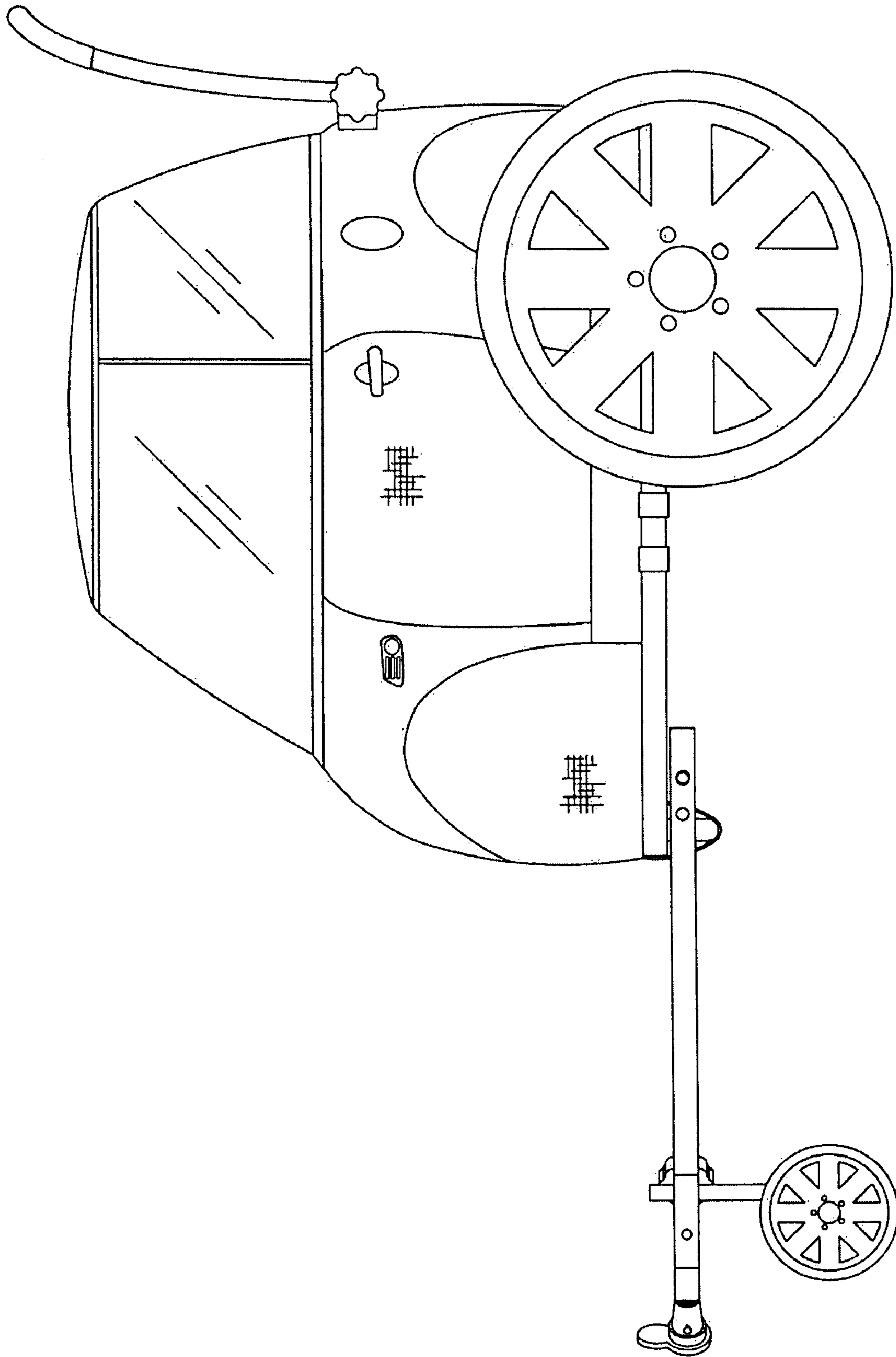


Fig. 7