



US00D565469S

(12) **United States Design Patent**
Young

(10) **Patent No.:** **US D565,469 S**

(45) **Date of Patent:** **** Apr. 1, 2008**

(54) **VEHICLE TRAILER**

D556,091 S * 11/2007 Racich D12/102

(76) **Inventor:** **Thomas W. Young**, 4335 Serpentine Way, Mason, OH (US) 45040

(**) **Term:** **14 Years**

(21) **Appl. No.:** **29/289,386**

(22) **Filed:** **Jul. 18, 2007**

(51) **LOC (8) Cl.** **12-10**

(52) **U.S. Cl.** **D12/102**

(58) **Field of Classification Search** D12/101-106,
D12/95, 97; 280/475, 656, 763.1, 482, 462;
206/181-183.1, 24.31, 156, 190

See application file for complete search history.

(56) **References Cited**

U.S. PATENT DOCUMENTS

D133,316 S *	8/1942	Jordan	D12/102
D176,334 S *	12/1955	Holmes	D12/102
D189,719 S *	2/1961	Clow	D12/102
D310,982 S *	10/1990	Badsey	D12/102
D377,633 S *	1/1997	Hutchins	D12/102
D392,599 S *	3/1998	Sjoberg et al.	D12/102
D401,802 S *	12/1998	Roth	D6/601
D411,144 S *	6/1999	Hamers	D12/102
D435,011 S *	12/2000	Gruff	D12/413
D458,576 S *	6/2002	McCoy et al.	D12/162
D506,162 S *	6/2005	Collinson	D12/102
D510,057 S *	9/2005	Van Buuren	D12/101
D522,921 S *	6/2006	Rugh et al.	D12/102

OTHER PUBLICATIONS

Photos of Ford Mustang model (4 pages). This is an example of a Ford Mustang, Model Year 2005, which was sold during 2005, at the latest.

* cited by examiner

Primary Examiner—Stacia Cadmus

(74) *Attorney, Agent, or Firm*—Frederick H. Gribbell

(57) **CLAIM**

The ornamental design for a vehicle trailer, as shown and described.

DESCRIPTION

FIG. 1 is a top, rear and right side perspective view of a vehicle trailer, showing my new design.

FIG. 2 is a right-hand side elevational view thereof.

FIG. 3 is a top plan view thereof.

FIG. 4 is a front elevational view thereof.

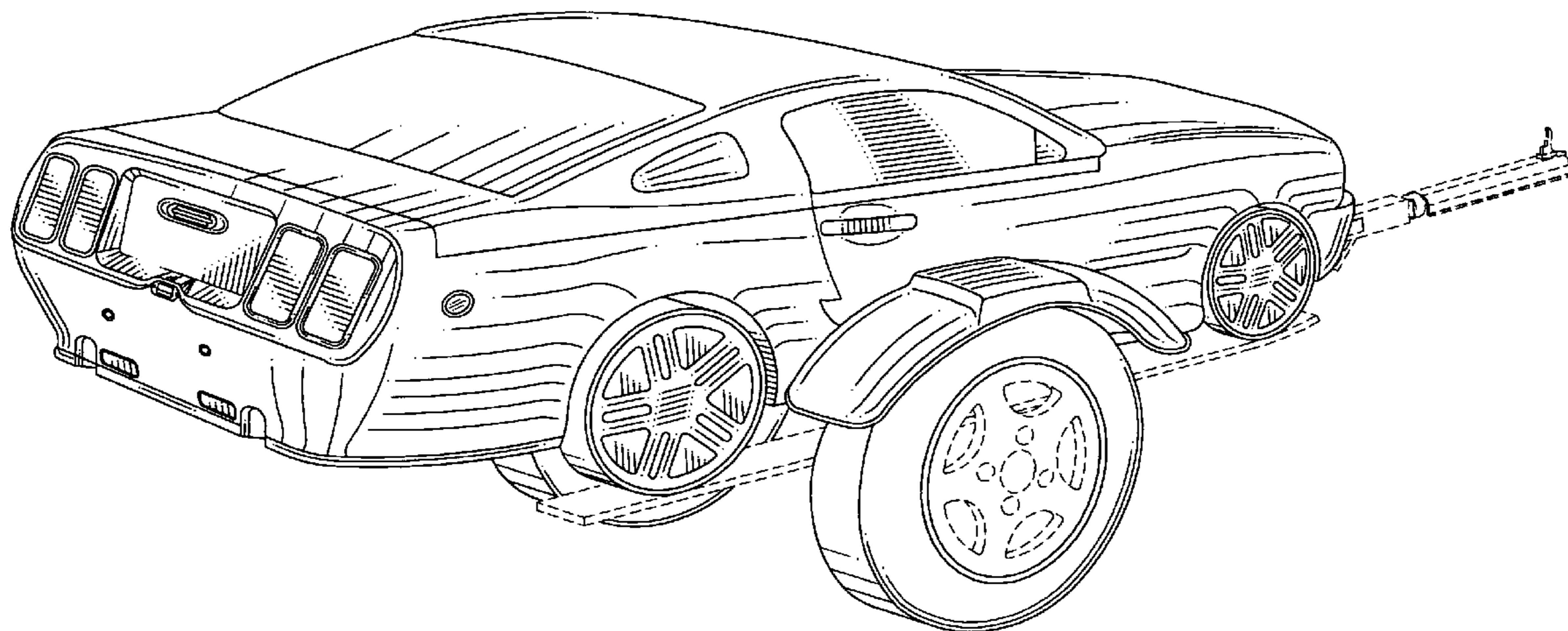
FIG. 5 is a rear elevational view thereof; and,

FIG. 6 is a bottom plan view thereof.

The left-hand side of the vehicle trailer is a mirror image of the right-hand side depicted in FIG. 2.

The broken line showing of the vehicle trailer is for the purpose of illustrating portions of a remainder of the vehicle trailer only, and forms no part of the claimed design.

1 Claim, 6 Drawing Sheets



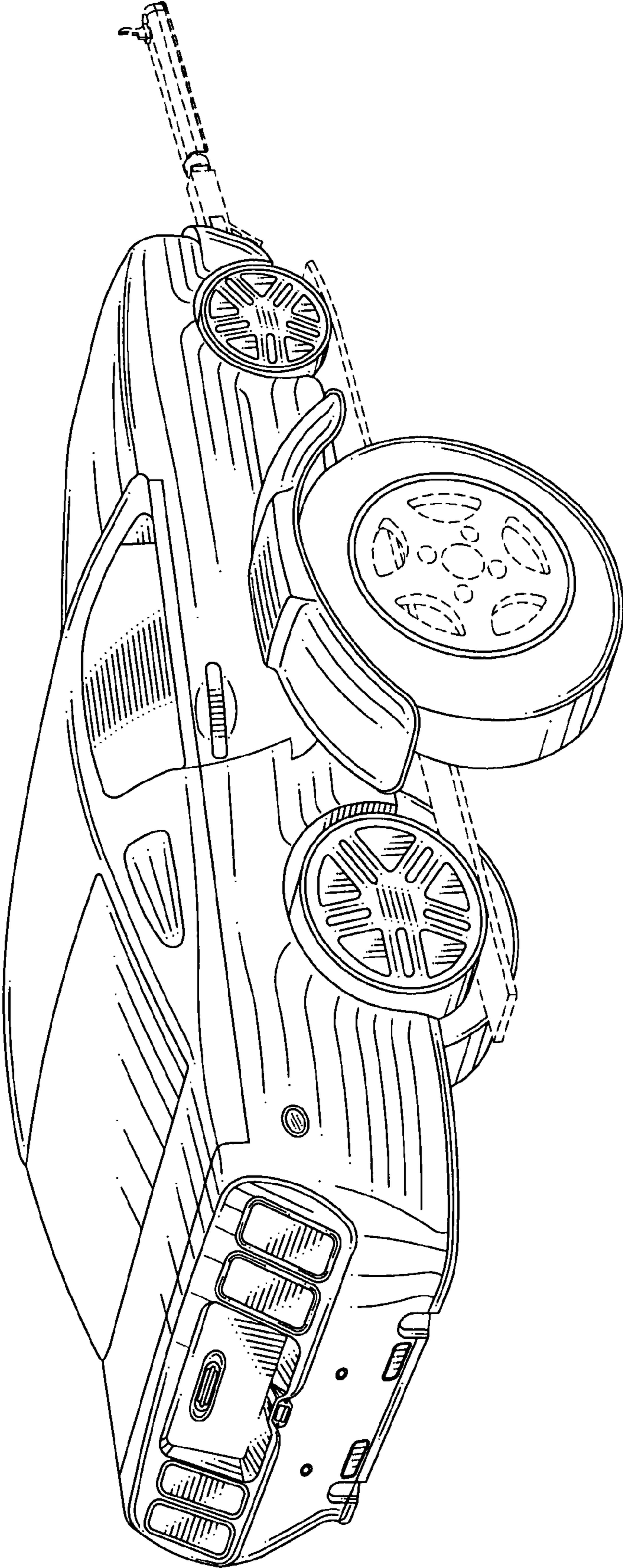


FIG. 1

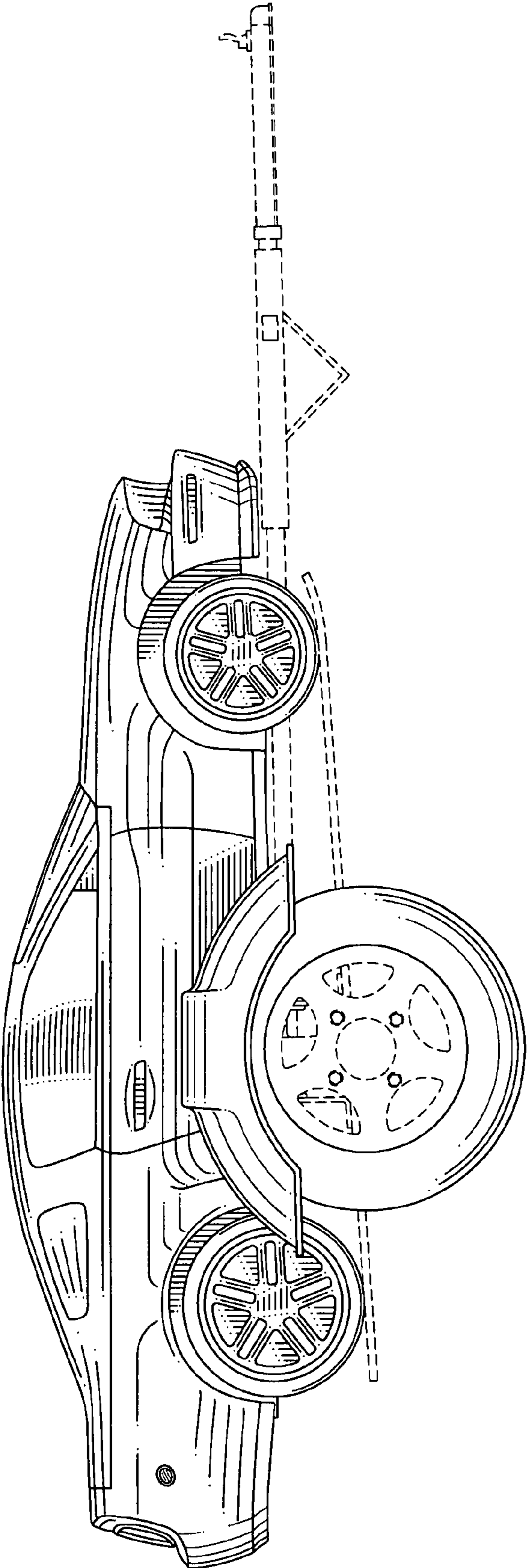


FIG. 2

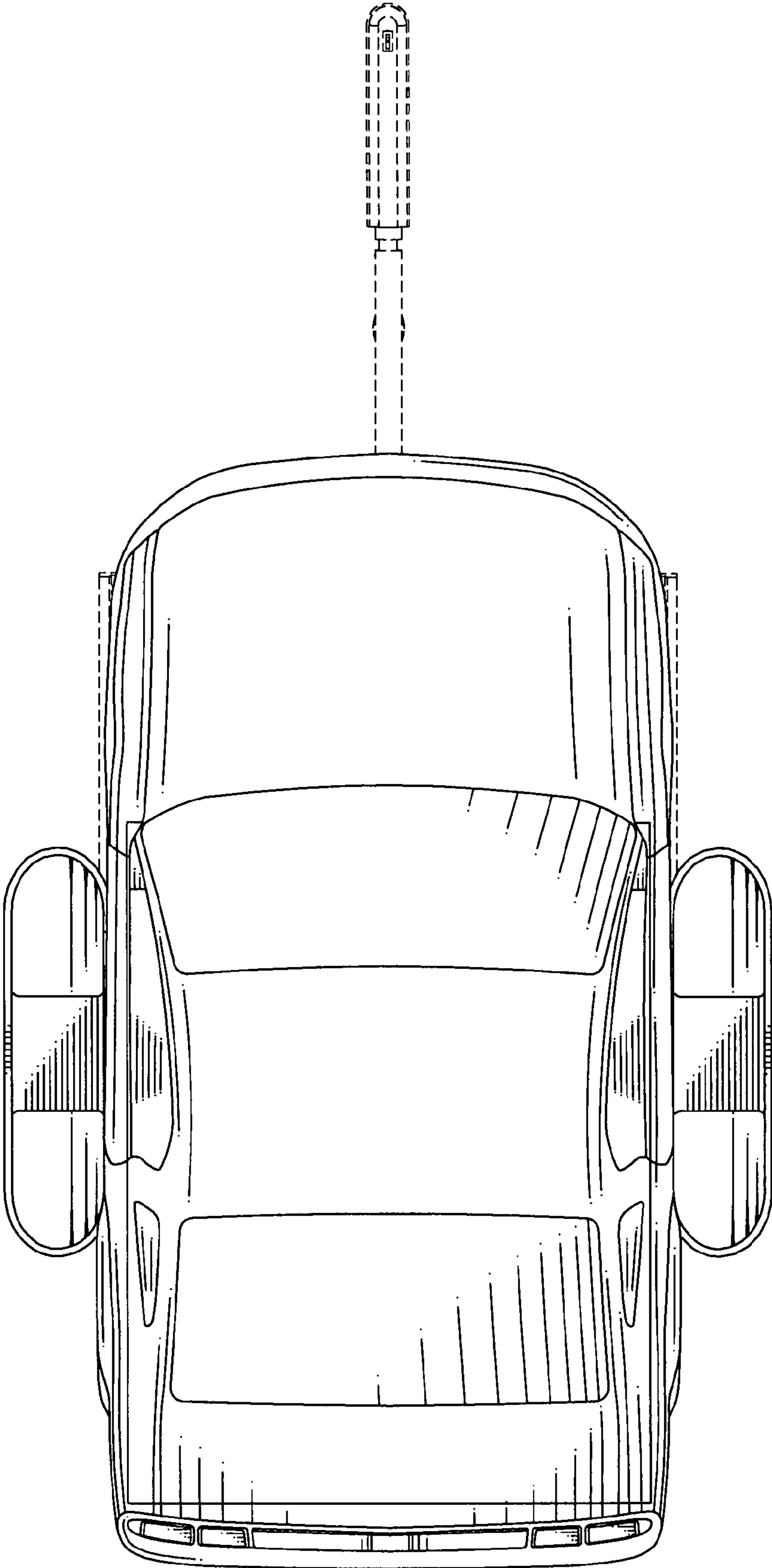


FIG. 3

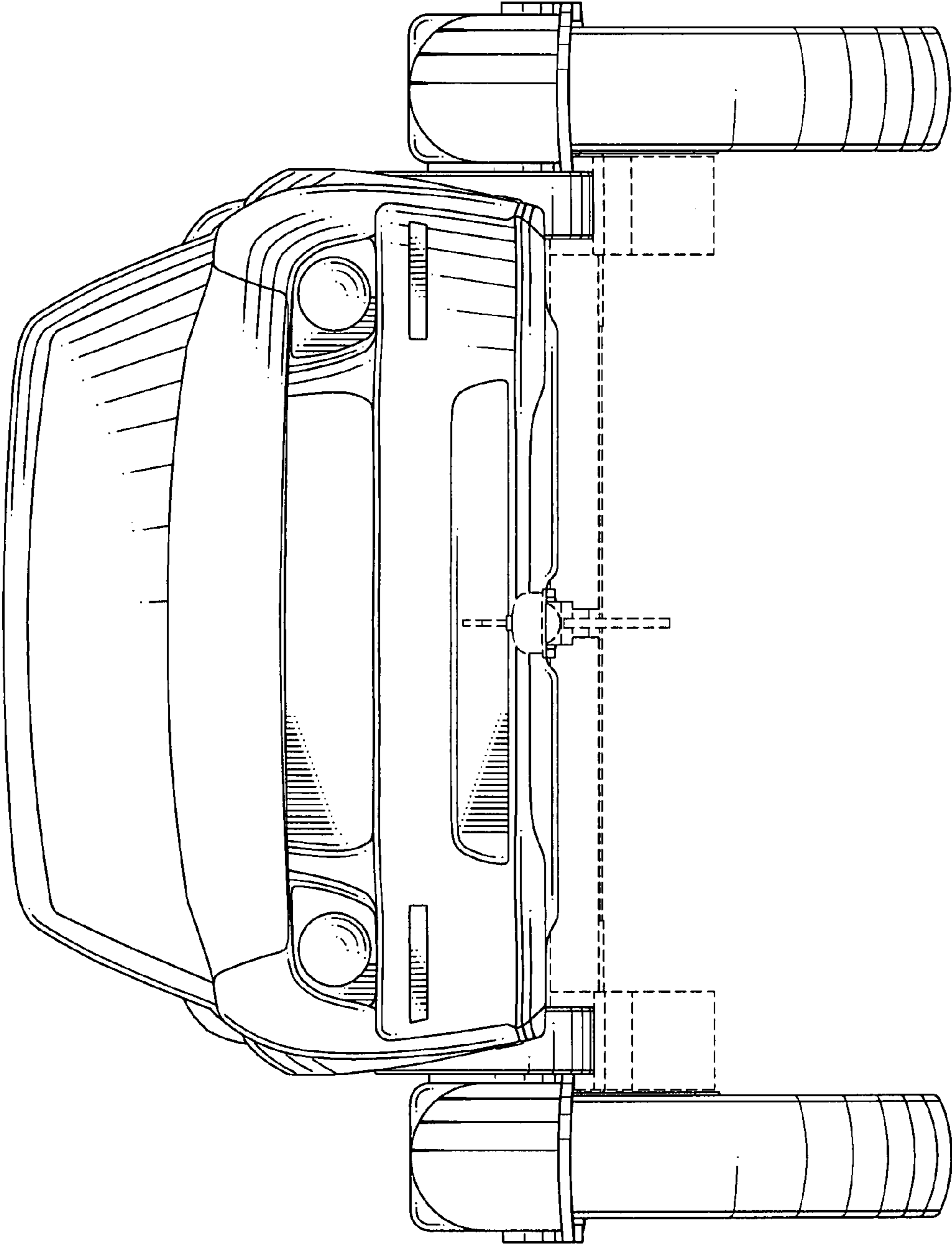


FIG. 4

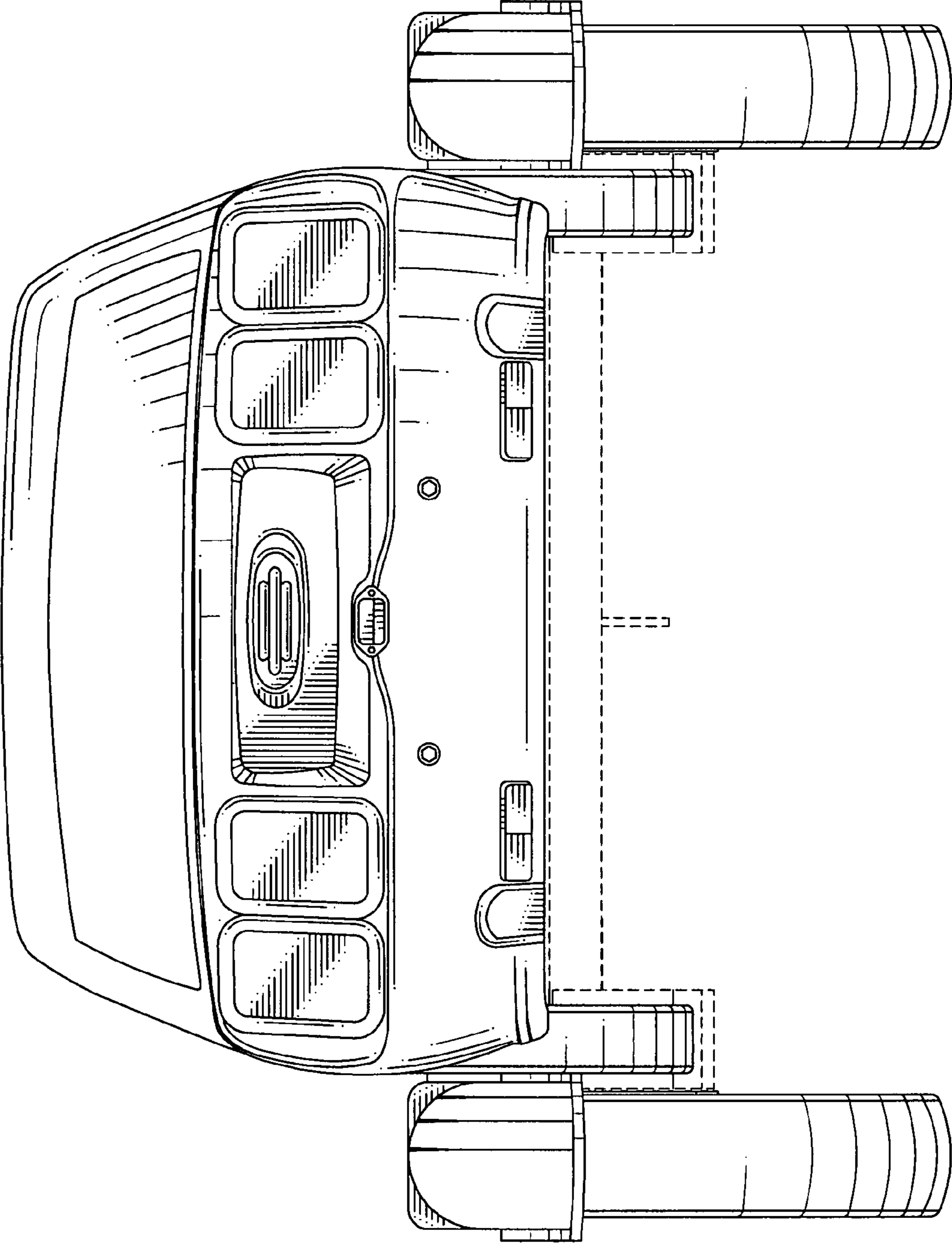


FIG. 5

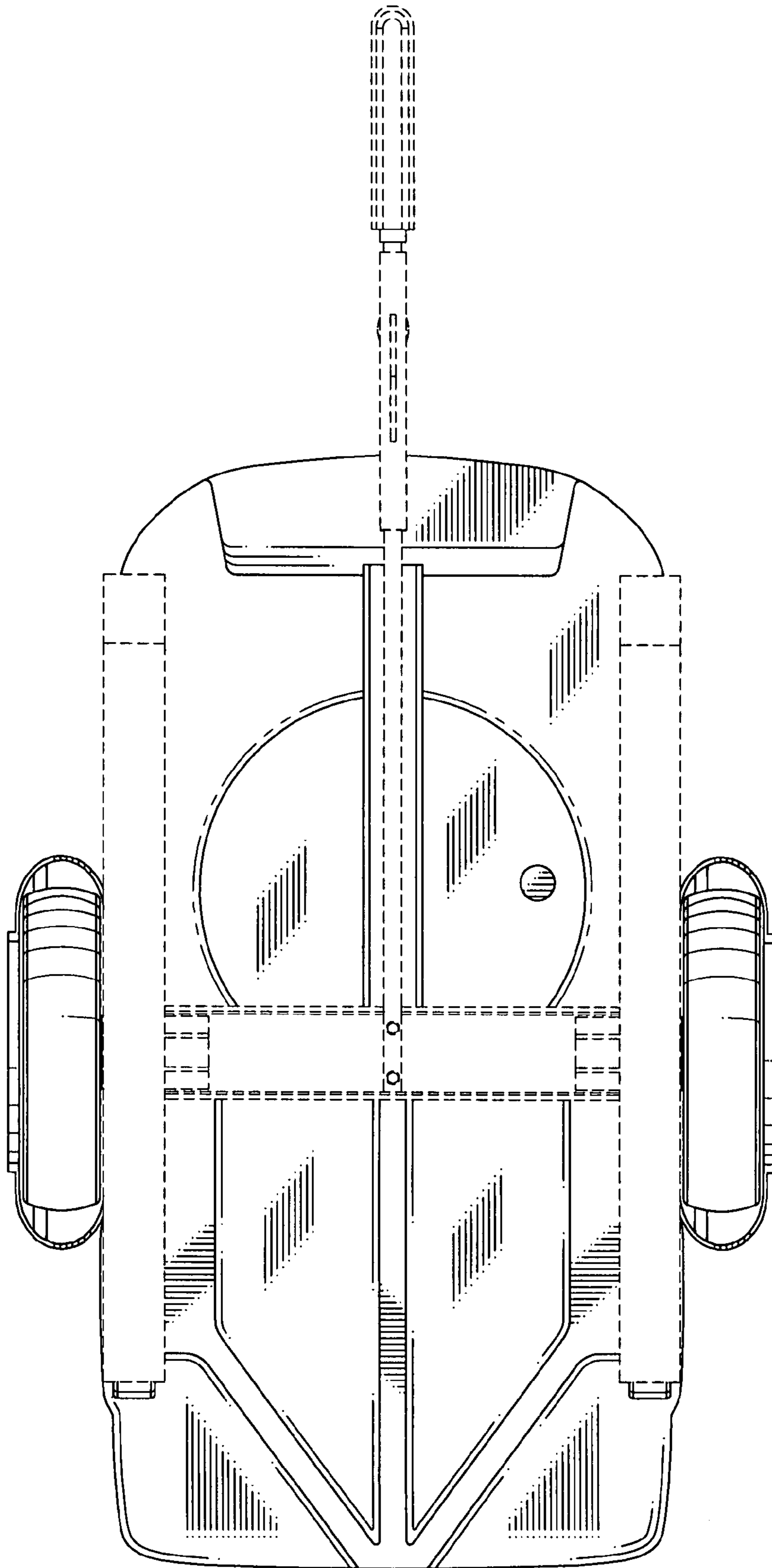


FIG. 6