



US00D565467S

(12) **United States Design Patent**
Aneiros et al.

(10) **Patent No.:** **US D565,467 S**

(45) **Date of Patent:** **** Apr. 1, 2008**

(54) **AUTOMOBILE BODY**

(75) Inventors: **Ricardo Z. Aneiros**, Bingham Farms, MI (US); **John P. Sgalia**, Farmington Hills, MI (US); **Mark T. Allen**, Oxford, MI (US); **Dan M. Zimmermann**, Bloomfield Township, MI (US)

(73) Assignee: **Chrysler LLC**, Auburn Hills, MI (US)

(**) Term: **14 Years**

(21) Appl. No.: **29/280,045**

(22) Filed: **May 15, 2007**

Related U.S. Application Data

(63) Continuation of application No. 29/248,591, filed on Aug. 23, 2006.

(51) **LOC (8) Cl.** **12-08**

(52) **U.S. Cl.** **D12/91**

(58) **Field of Classification Search** D12/90-92,
D12/86; 296/181.1, 181.5

See application file for complete search history.

(56) **References Cited**

U.S. PATENT DOCUMENTS

D350,504 S *	9/1994	Nixon	D12/91
D383,710 S *	9/1997	Guichard et al.	D12/91
D389,094 S *	1/1998	Stollery	D12/91
D391,520 S *	3/1998	Laster	D12/91
D424,992 S *	5/2000	Faurote	D12/163

D454,813 S *	3/2002	Boniface et al.	D12/91
D500,460 S *	1/2005	Allen et al.	D12/91
D506,955 S *	7/2005	Allen et al.	D12/163
D507,766 S *	7/2005	McMahan et al.	D12/91
D514,983 S *	2/2006	Renkert et al.	D12/91
D519,066 S *	4/2006	Ney et al.	D12/163
D528,471 S *	9/2006	Renkert et al.	D12/91
D534,097 S *	12/2006	Renkert et al.	D12/91

* cited by examiner

Primary Examiner—Melody N. Brown

(74) *Attorney, Agent, or Firm*—Ralph E. Smith

(57) **CLAIM**

The ornamental design for an automobile body, as shown and described.

DESCRIPTION

FIG. 1 is a front perspective view of an automobile body showing our new design;

FIG. 2 is a side view thereof;

FIG. 3 is a front view thereof;

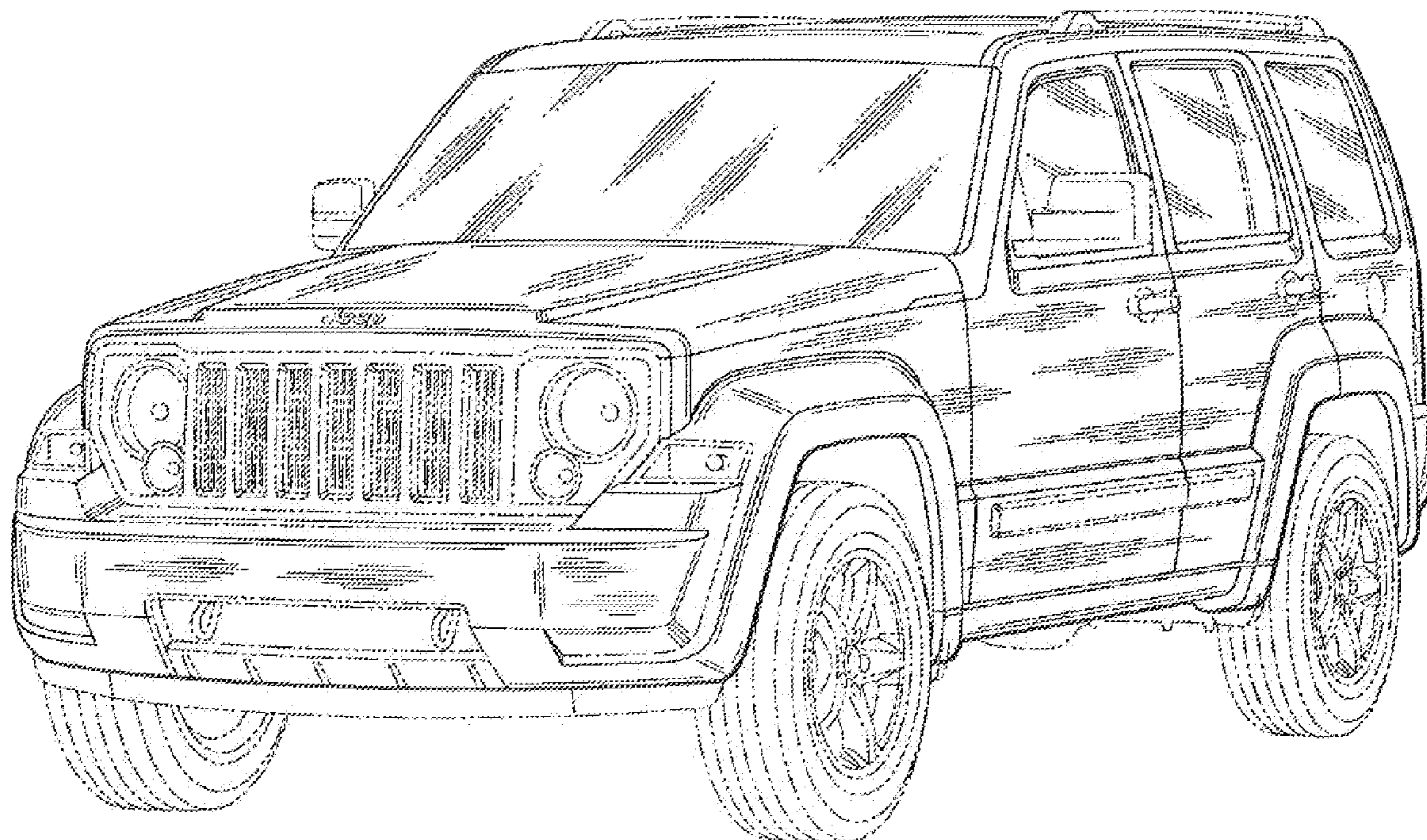
FIG. 4 is a rear view thereof;

FIG. 5 is a rear perspective view thereof; and,

FIG. 6 is a top plan view thereof.

It will be understood the broken lines presented in the drawings are for illustration only, and do not form a part of the claimed design.

1 Claim, 5 Drawing Sheets



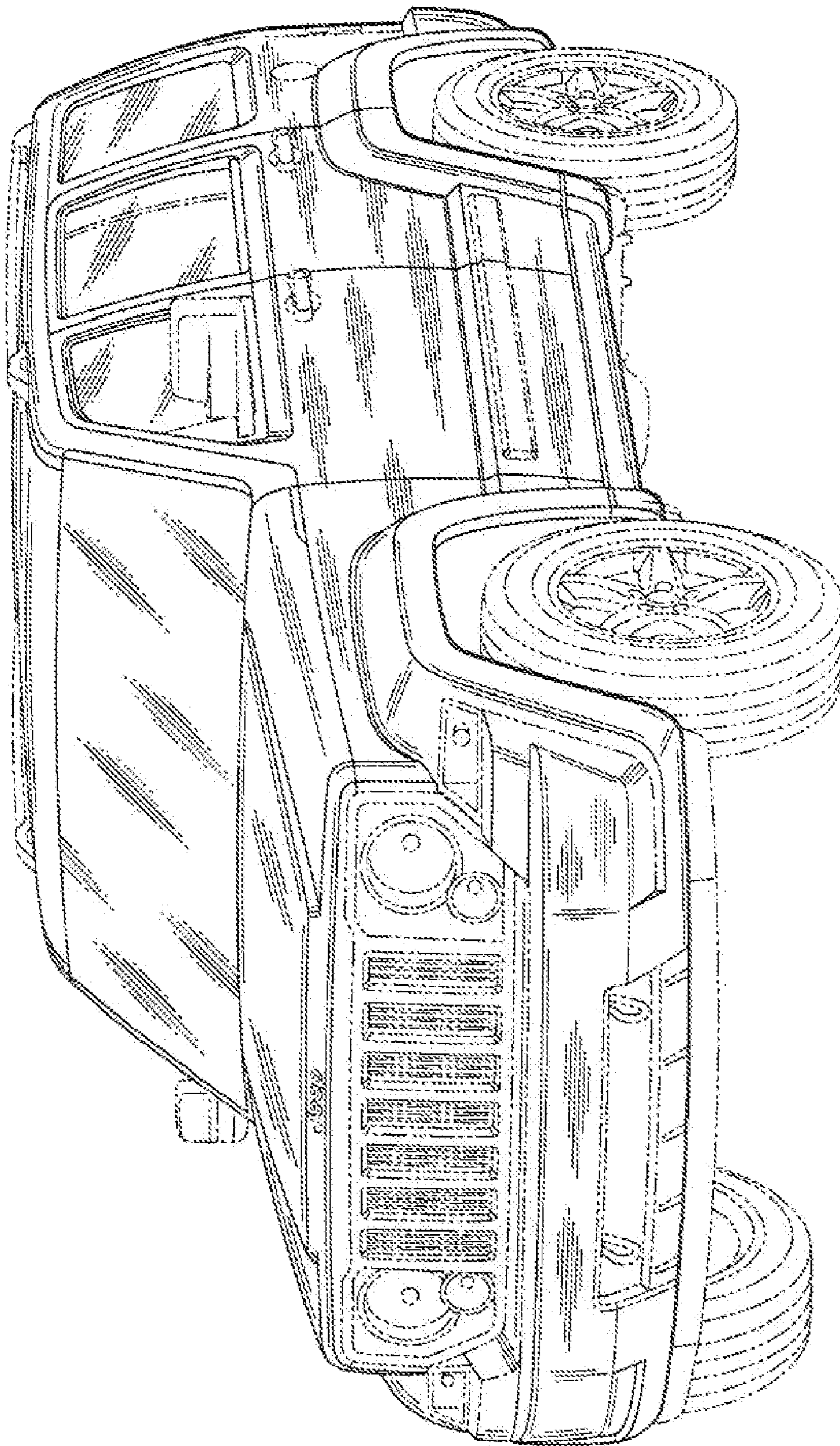


Fig. 1

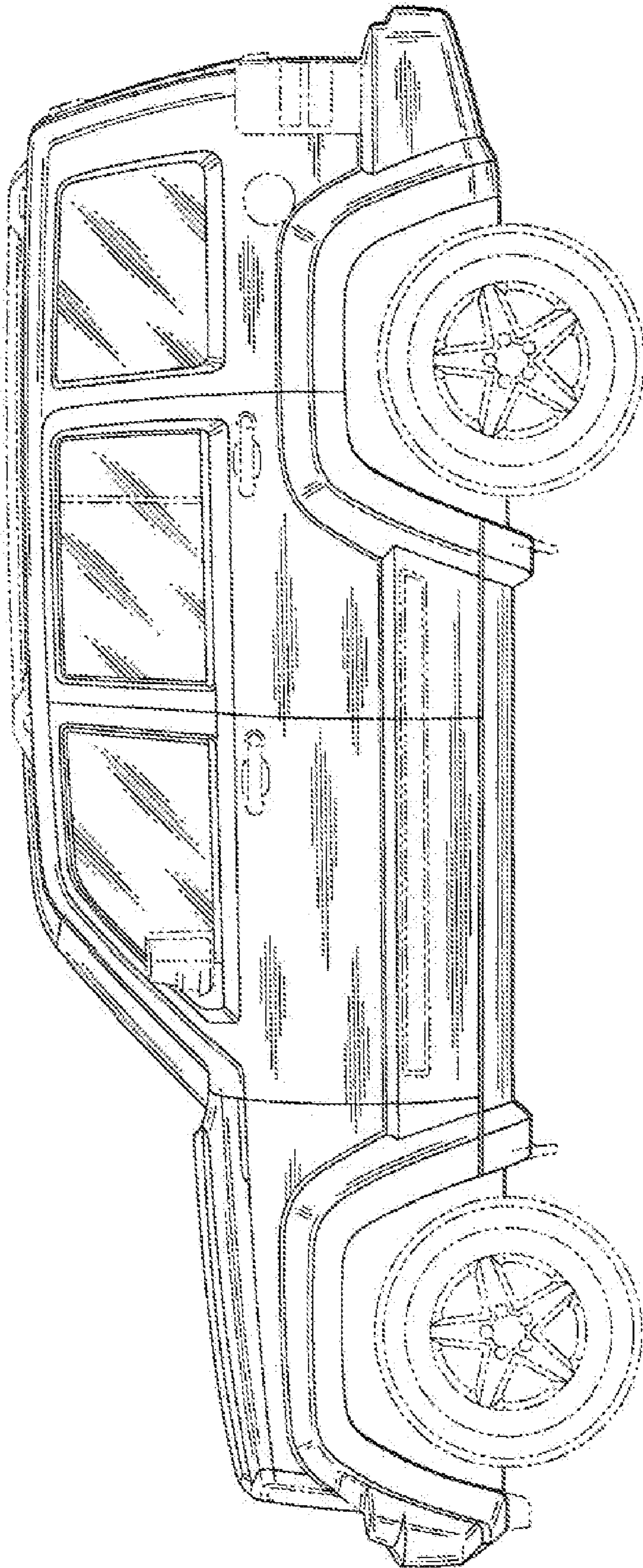


Fig. 2

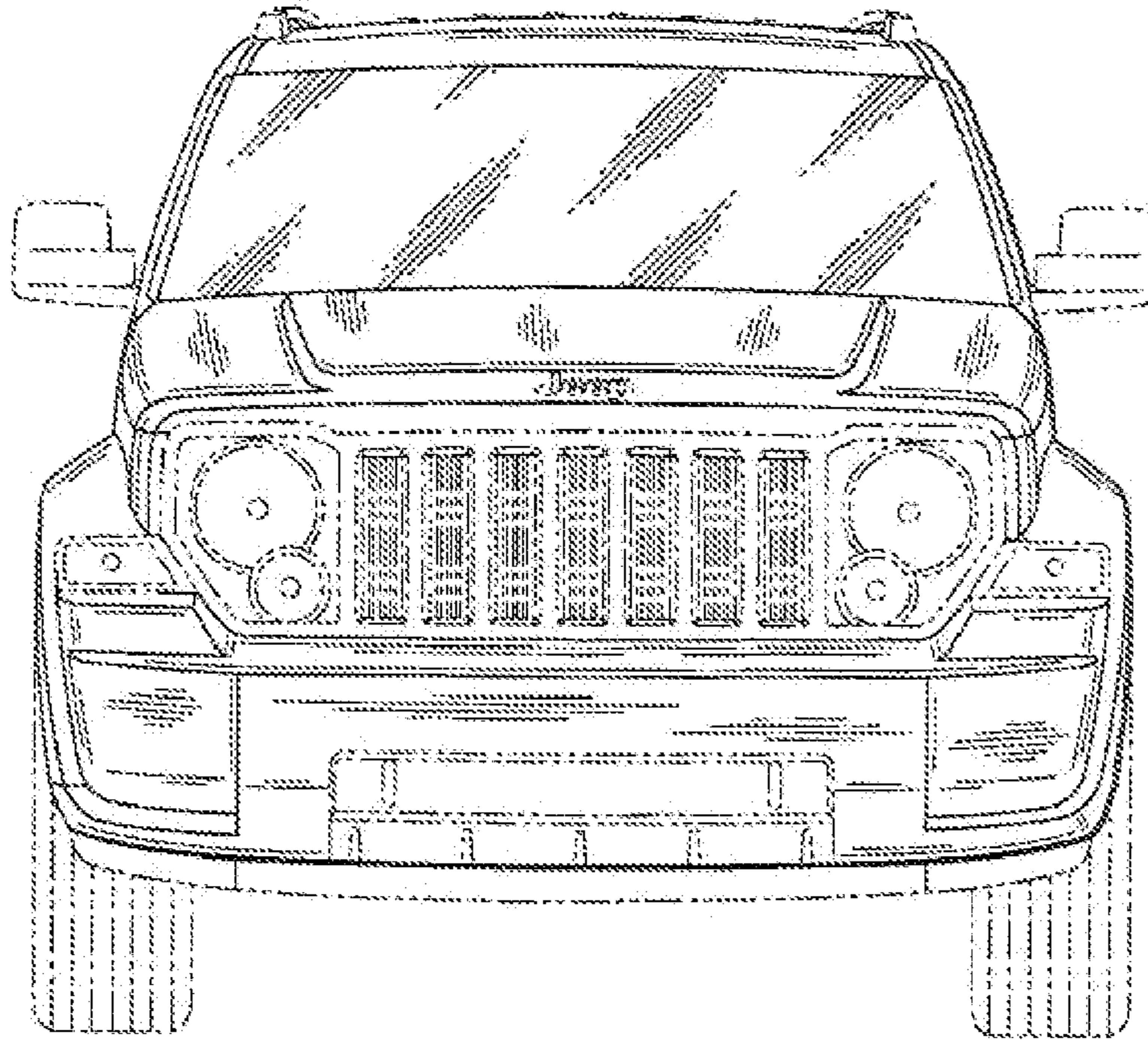


Fig. 3

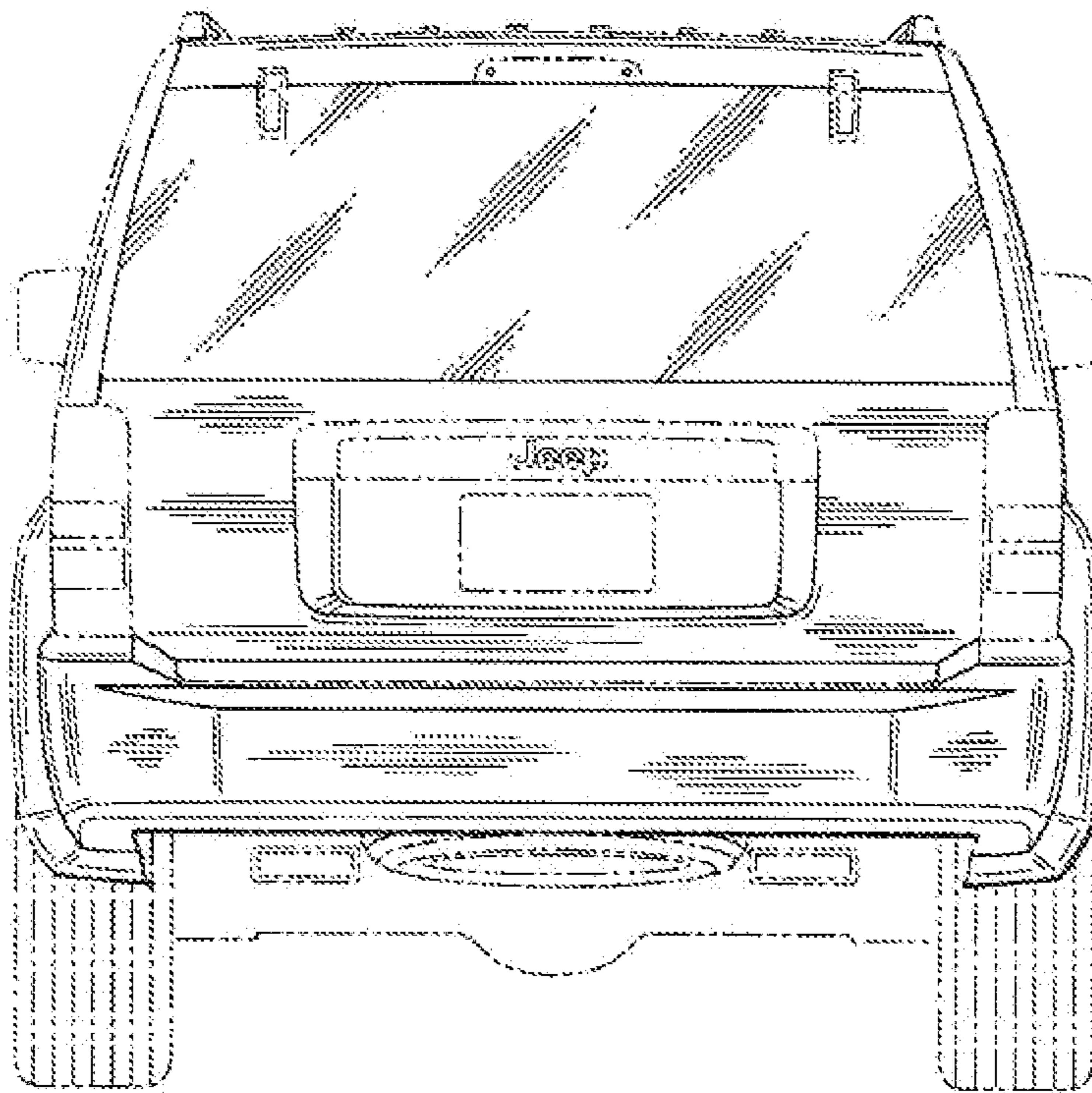


Fig. 4

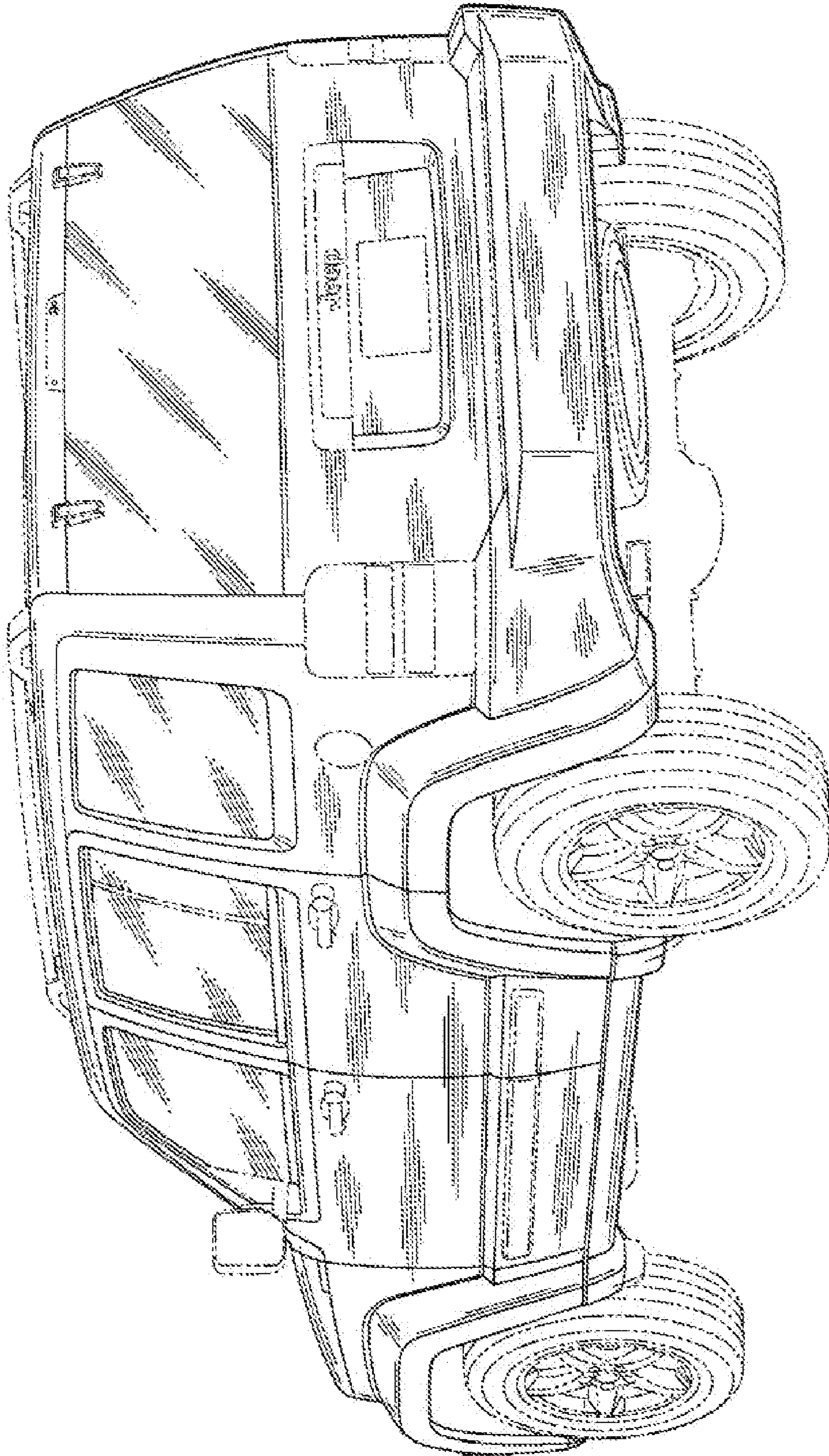


Fig. 5

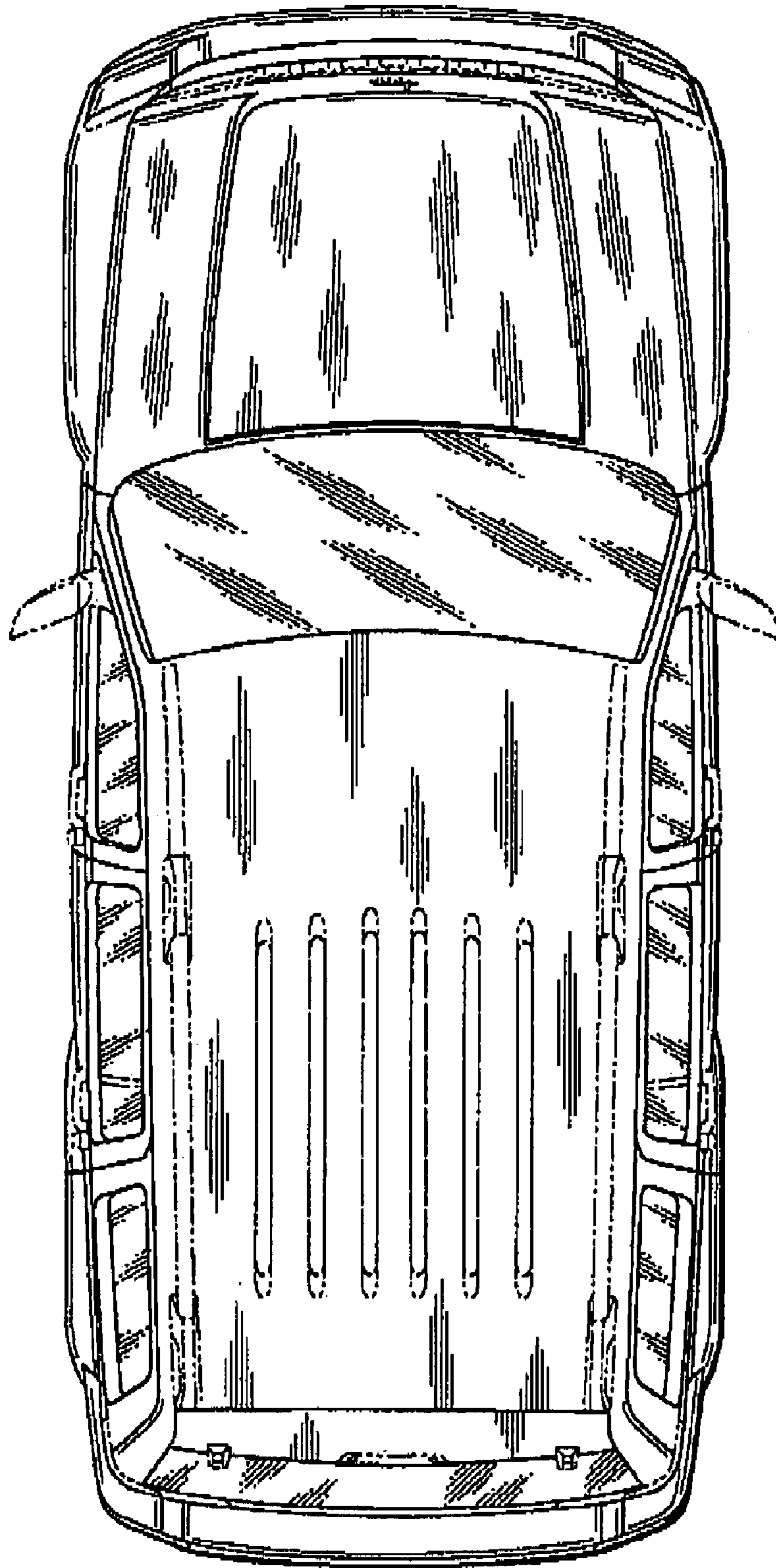


Fig. 6