

US00D565466S

(12) **United States Design Patent**  
**Moushegian et al.**

(10) **Patent No.:** **US D565,466 S**

(45) **Date of Patent:** **\*\* Apr. 1, 2008**

(54) **AUTOMOBILE BODY**

(75) Inventors: **Mark T Moushegian**, San Diego, CA (US); **Clifford Wilkins**, Rochester Hills, MI (US); **Steven W Ferrerio**, Troy, MI (US)

(73) Assignee: **Chrysler LLC**, Auburn Hills, MI (US)

(\*\*) Term: **14 Years**

(21) Appl. No.: **29/275,879**

(22) Filed: **Jan. 9, 2007**

**Related U.S. Application Data**

(63) Continuation of application No. 29/244,908, filed on Dec. 15, 2005, now Pat. No. Des. 534,836.

(51) **LOC (8) Cl.** ..... **12-16**

(52) **U.S. Cl.** ..... **D12/91**

(58) **Field of Classification Search** ..... D12/90-92, D12/86, 88; D21/424, 433; 296/181.1, 181.5  
See application file for complete search history.

(56) **References Cited**

**U.S. PATENT DOCUMENTS**

D383,710 S	9/1997	Guichard et al.	
D389,438 S	1/1998	Guichard et al.	
D391,520 S	3/1998	Laster	
D454,813 S *	3/2002	Boniface et al.	D12/91
D466,444 S *	12/2002	Meadows	D12/91
D497,572 S *	10/2004	Widmann et al.	D12/91
D507,766 S	7/2005	McMahan et al.	
D508,441 S *	8/2005	Moushegian et al.	D12/91

D514,983 S *	2/2006	Renkert et al.	D12/91
D534,836 S *	1/2007	Moushegian et al.	D12/91
D535,585 S *	1/2007	Moushegian et al.	D12/91

\* cited by examiner

*Primary Examiner*—Melody N. Brown

(74) *Attorney, Agent, or Firm*—Ralph E. Smith

(57) **CLAIM**

The ornamental design for an automobile body, as shown and described.

**DESCRIPTION**

FIG. 1 is a front perspective view of an automobile body showing our new design;

FIG. 2 is a side view thereof;

FIG. 3 is a front view thereof;

FIG. 4 is a rear view thereof;

FIG. 5 is a rear perspective view thereof;

FIG. 6 is a front perspective view of an automobile body showing a second embodiment of our new design;

FIG. 7 is a side view of FIG. 6;

FIG. 8 is a front view of FIG. 6;

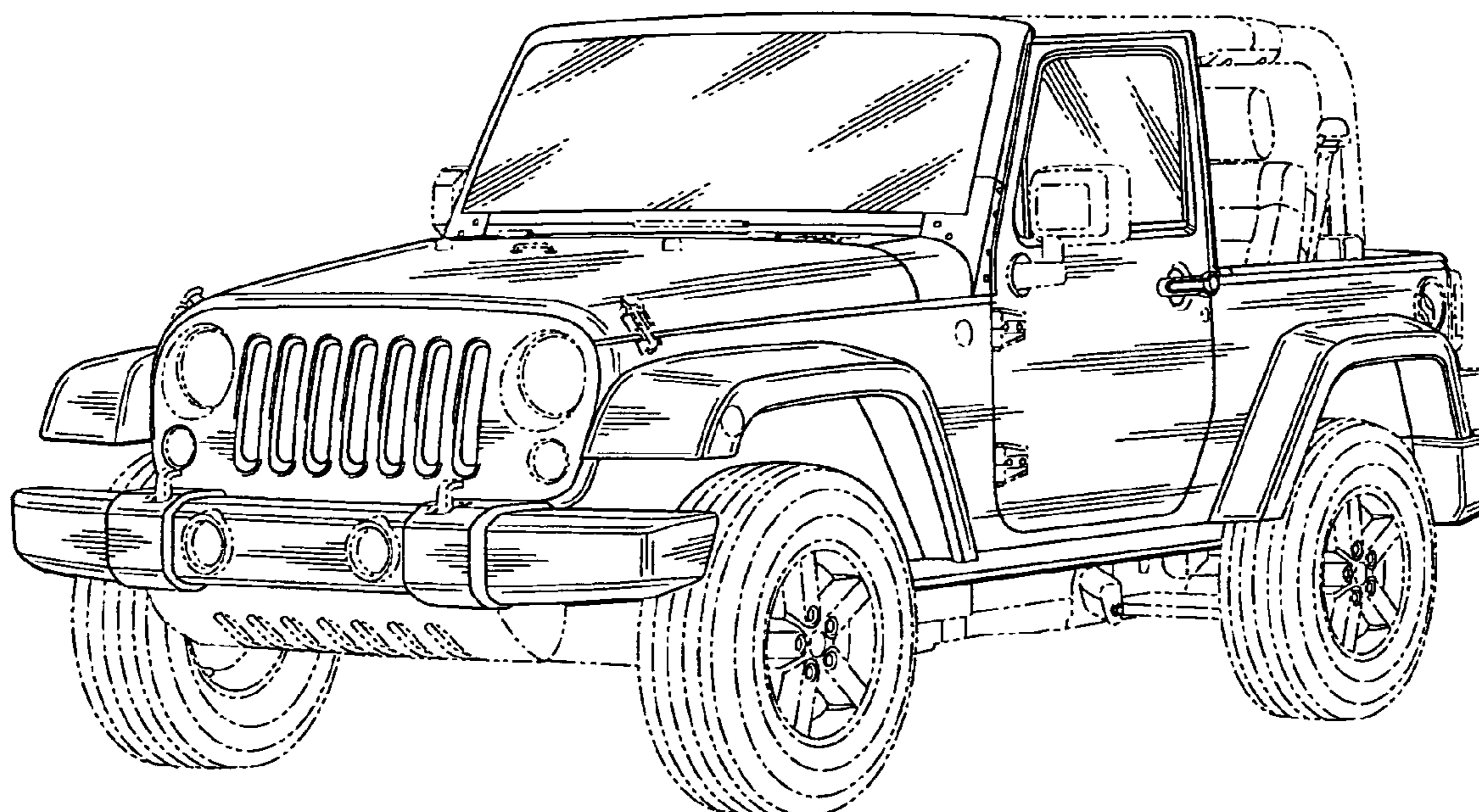
FIG. 9 is a rear view of FIG. 6;

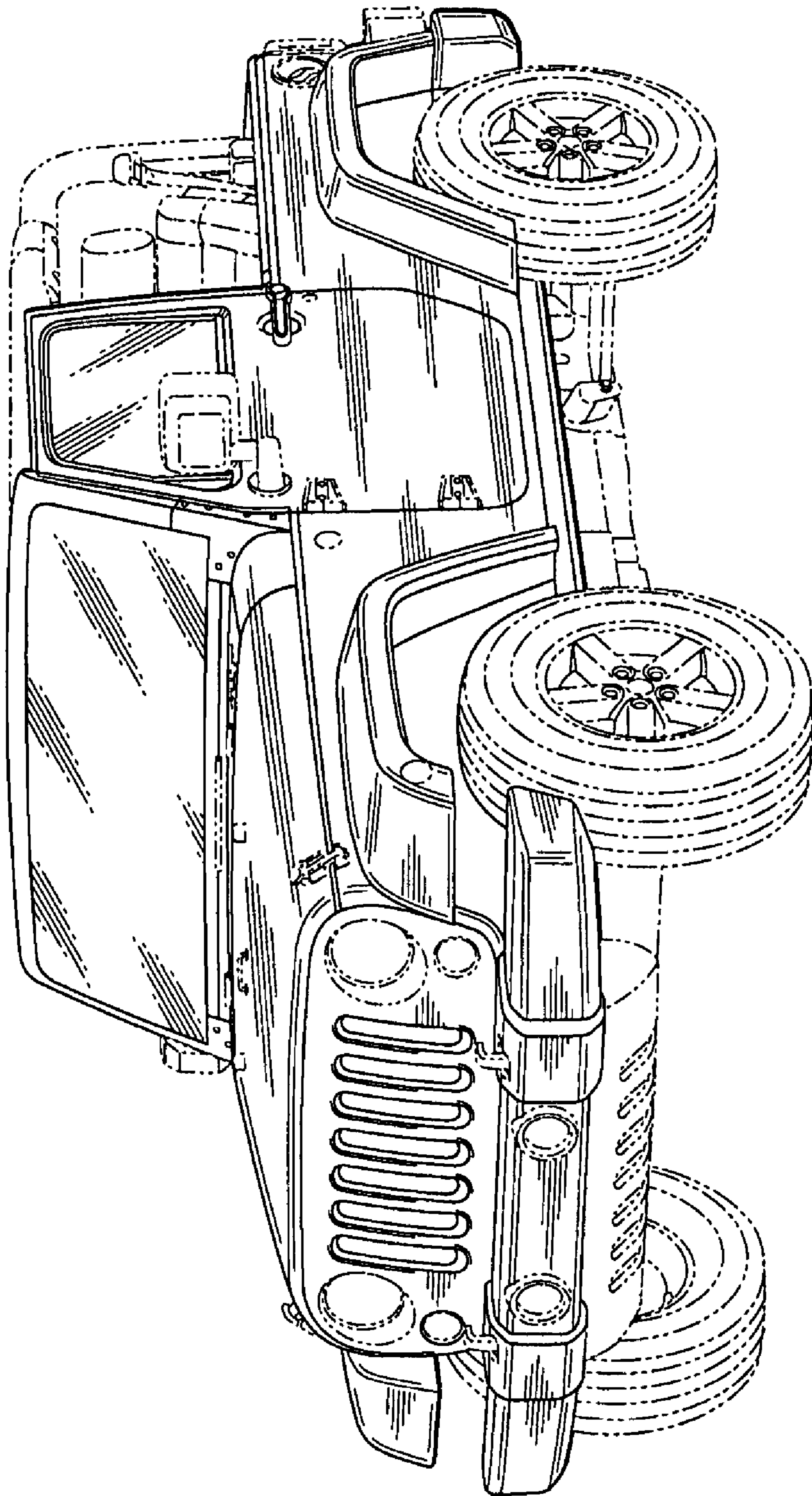
FIG. 10 is a rear perspective view of FIG. 6; and,

FIG. 11 is a top plan view of FIG. 6.

It will be understood that the broken lines presented in the drawings are for illustration only, and do not form a part of the claimed design.

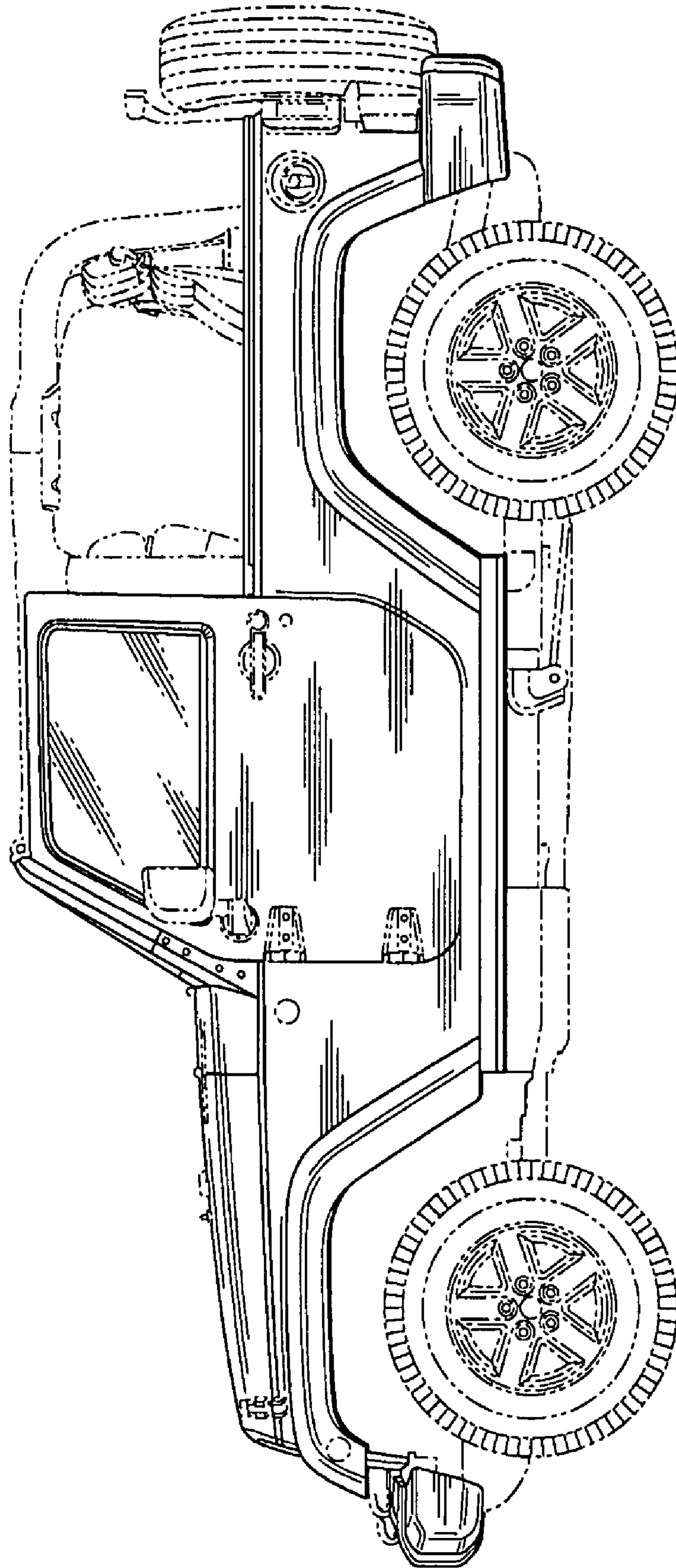
**1 Claim, 9 Drawing Sheets**



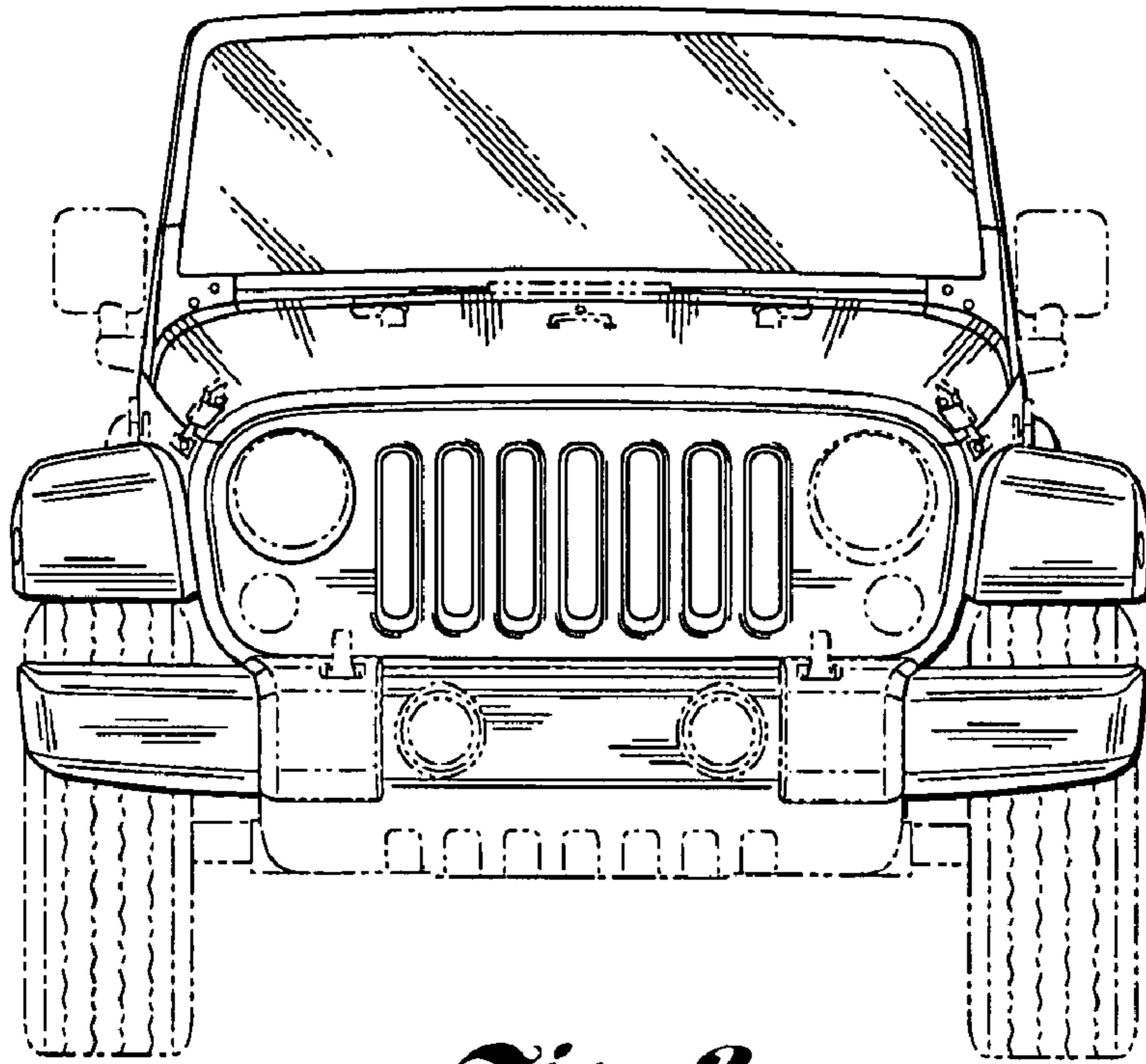


*Fig. 1*

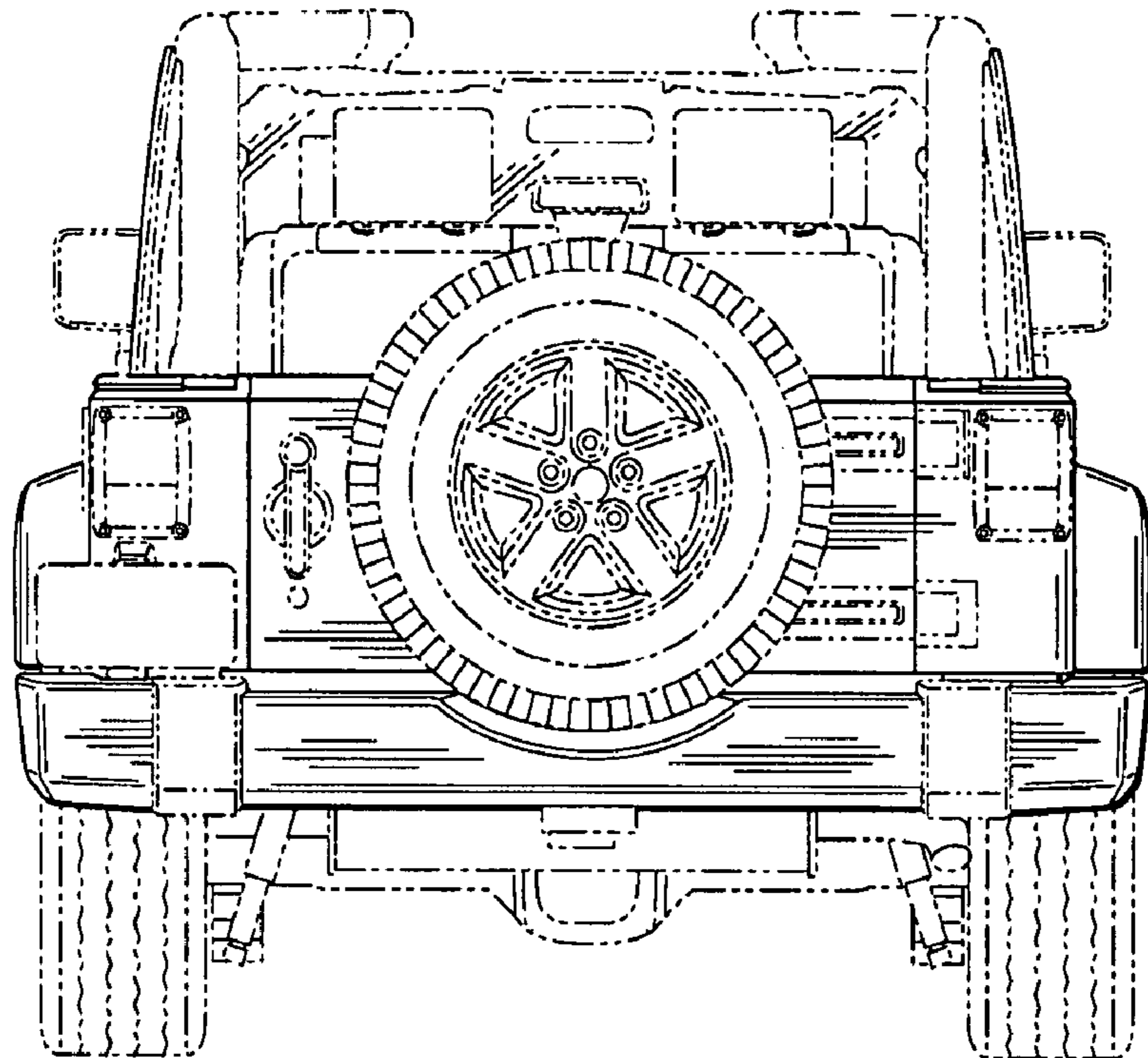




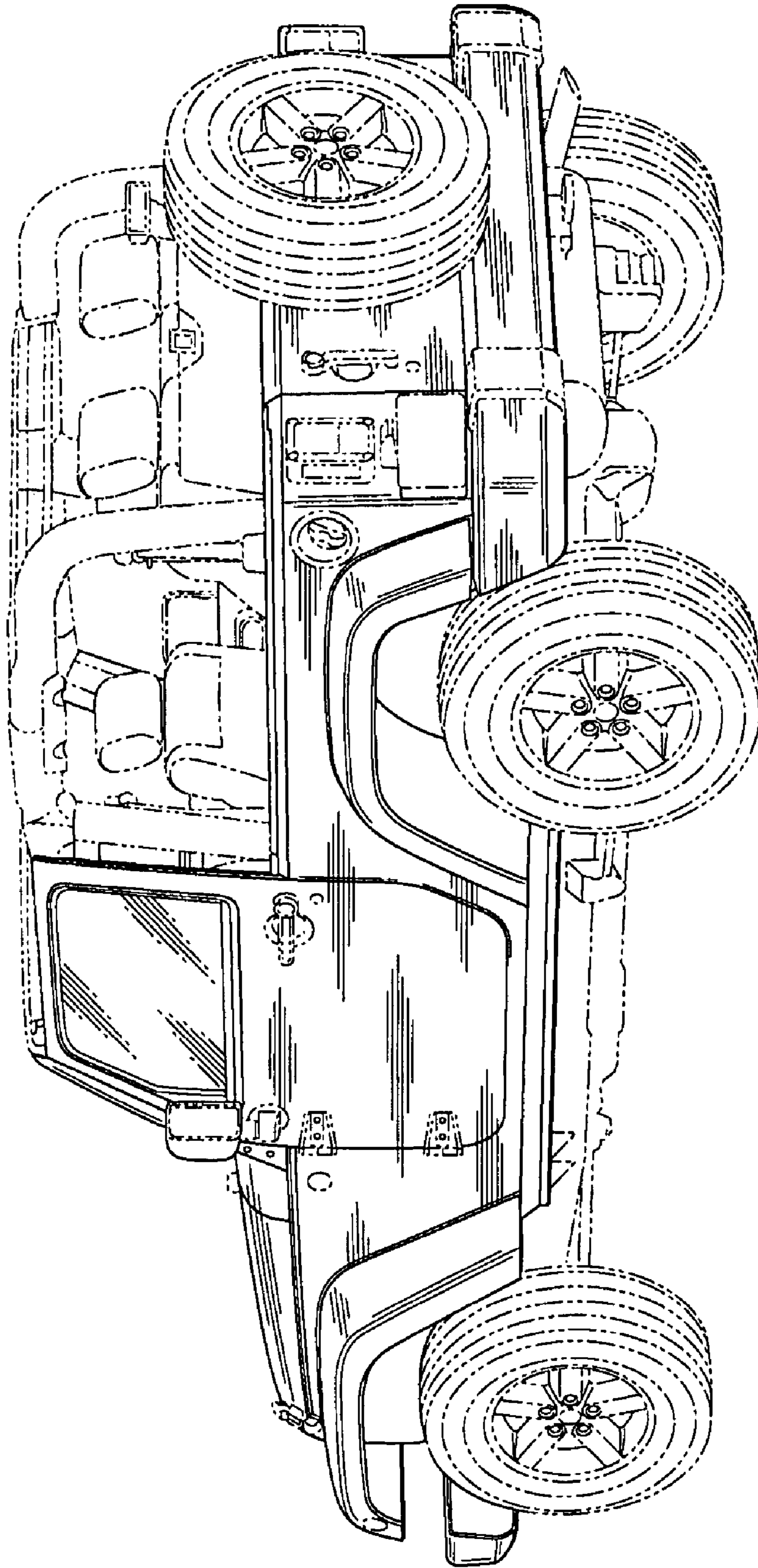
*Fig. 2*



*Fig. 3*

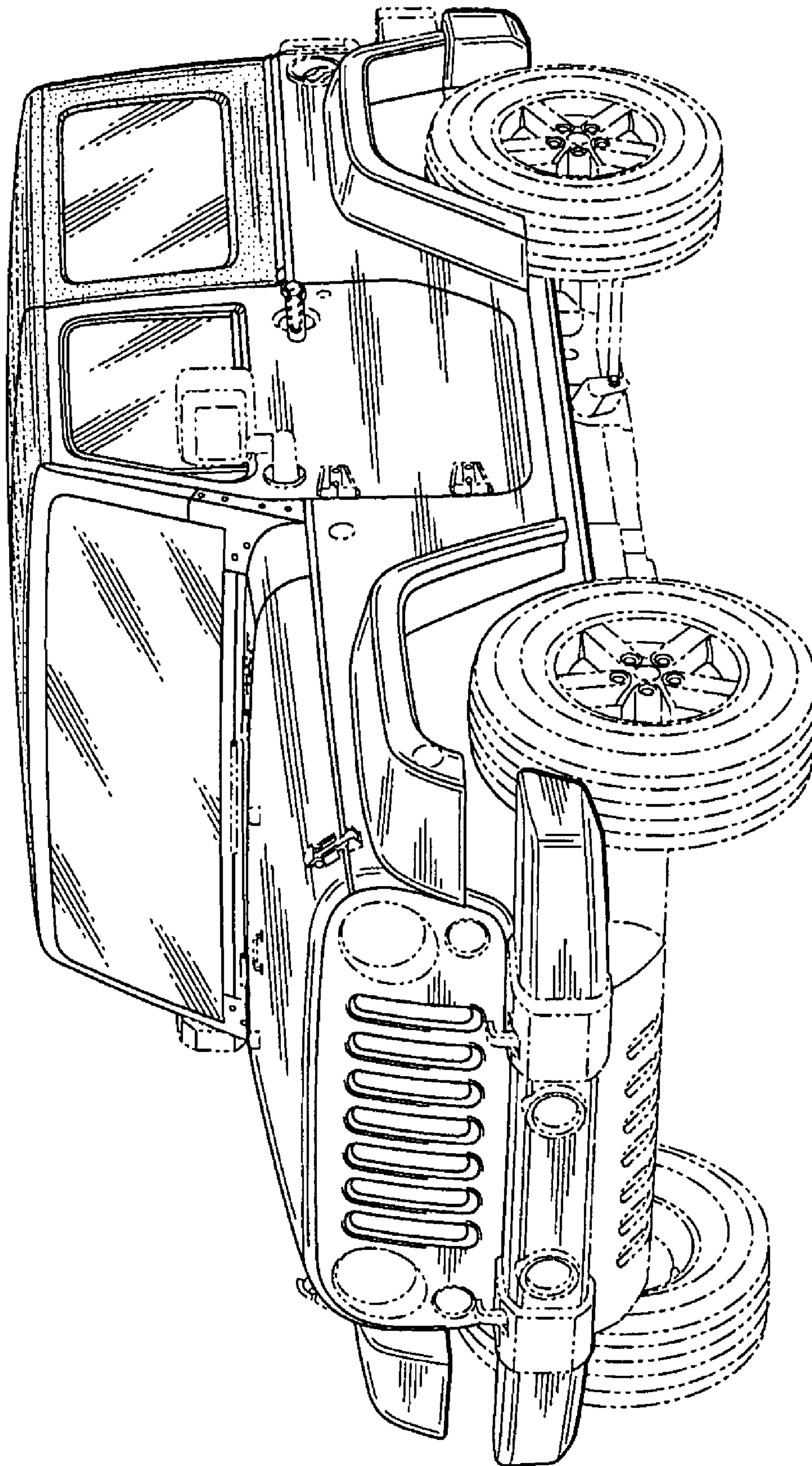


*Fig. 4*

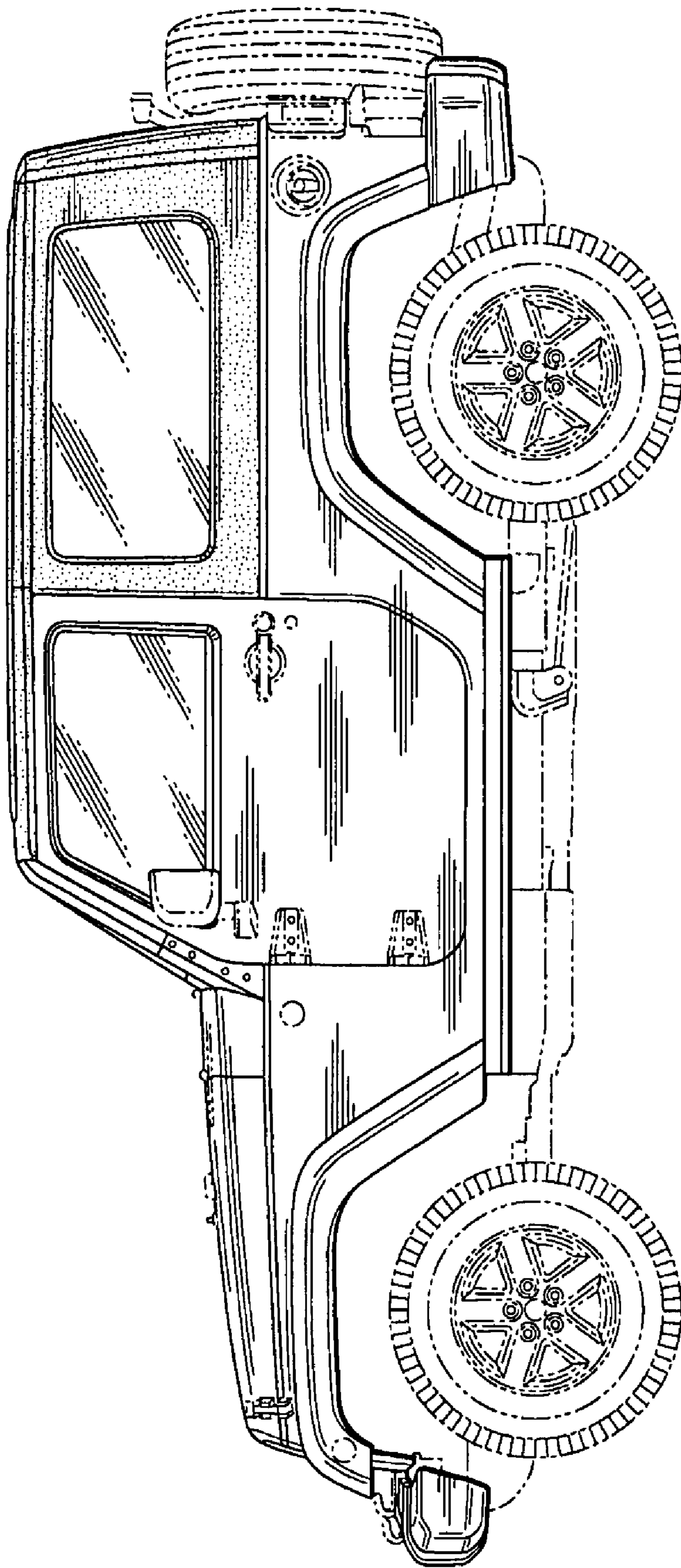


*Fig. 5*

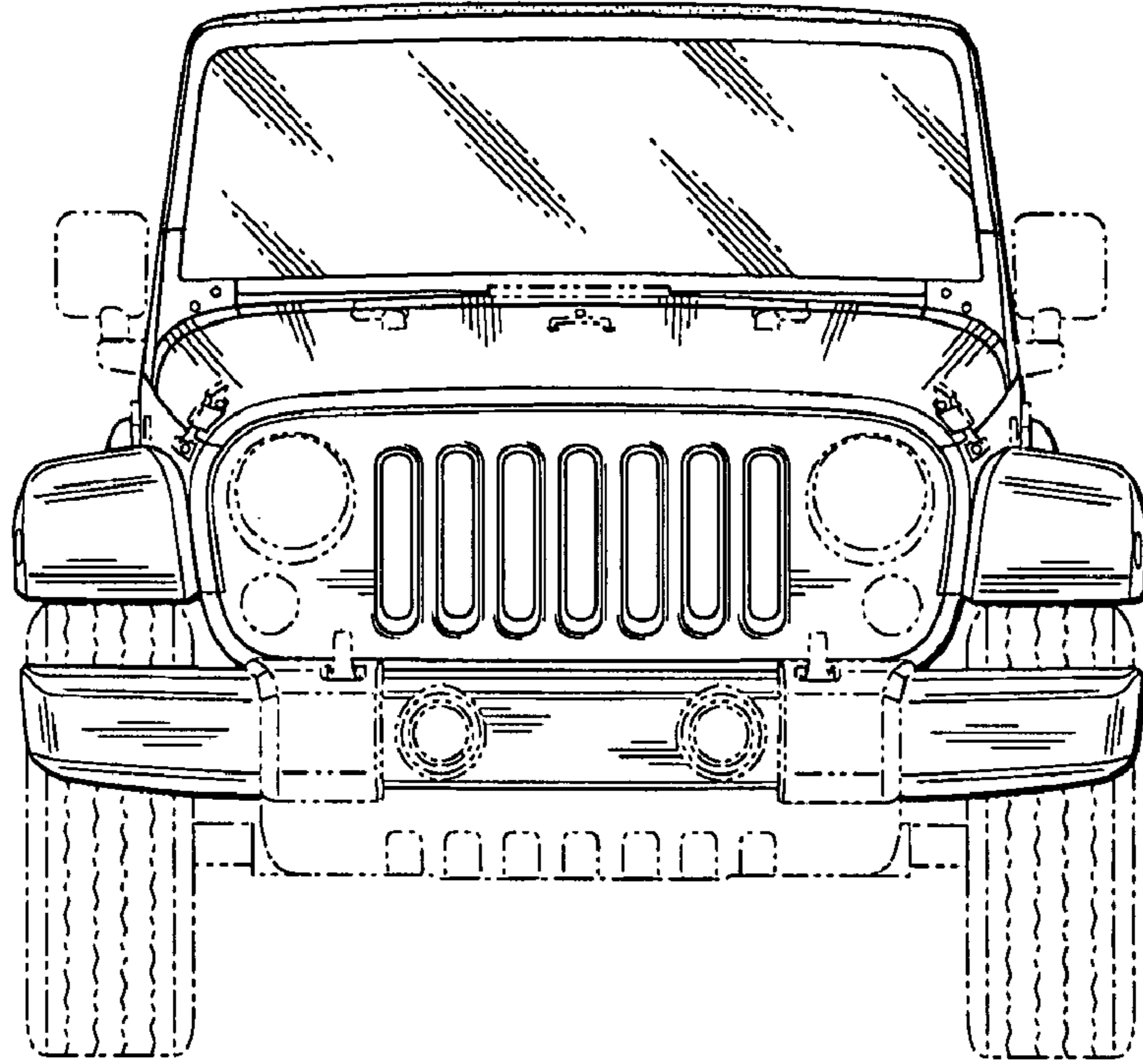




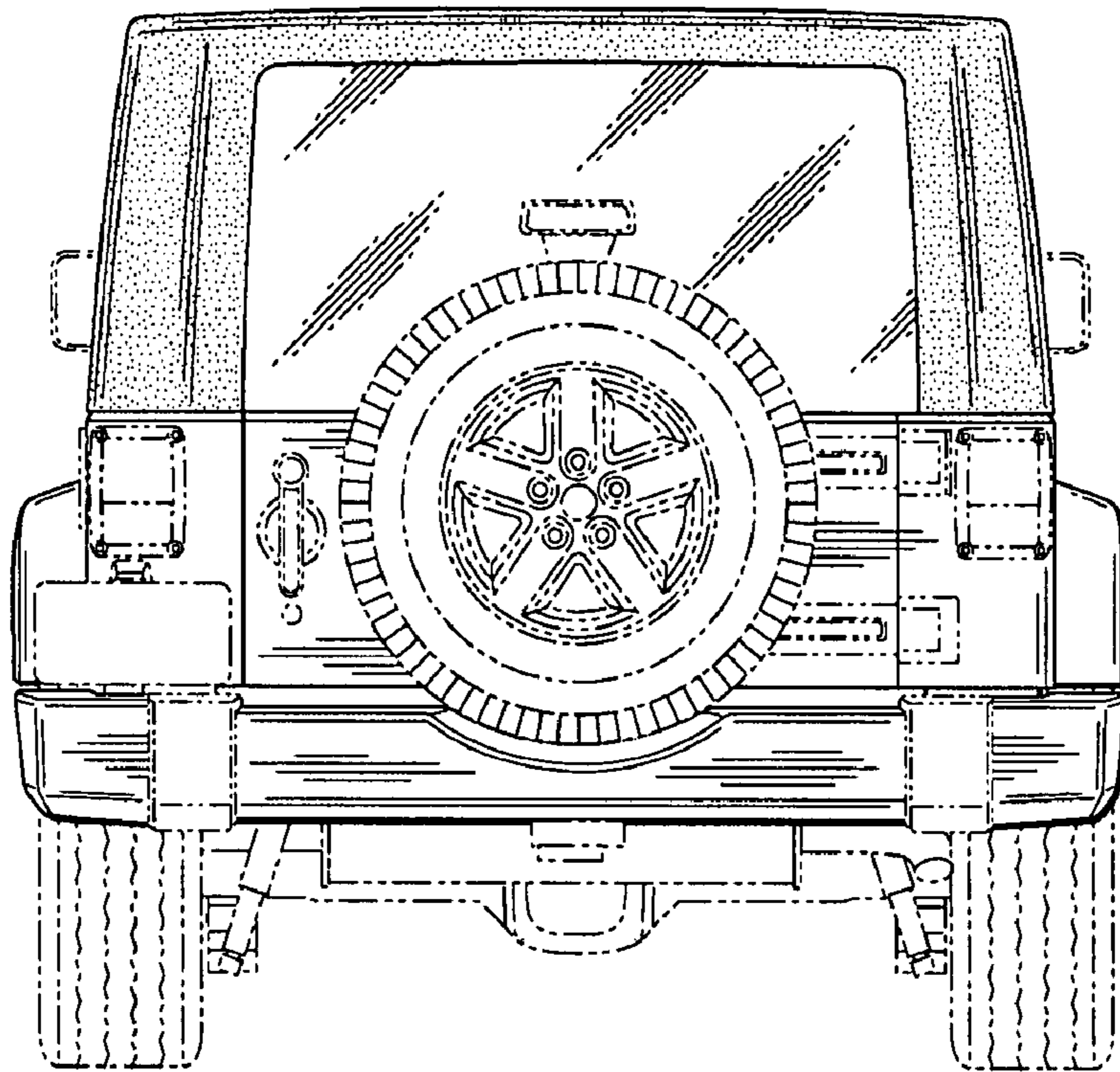
*Fig. 6*



*Fig. 7*

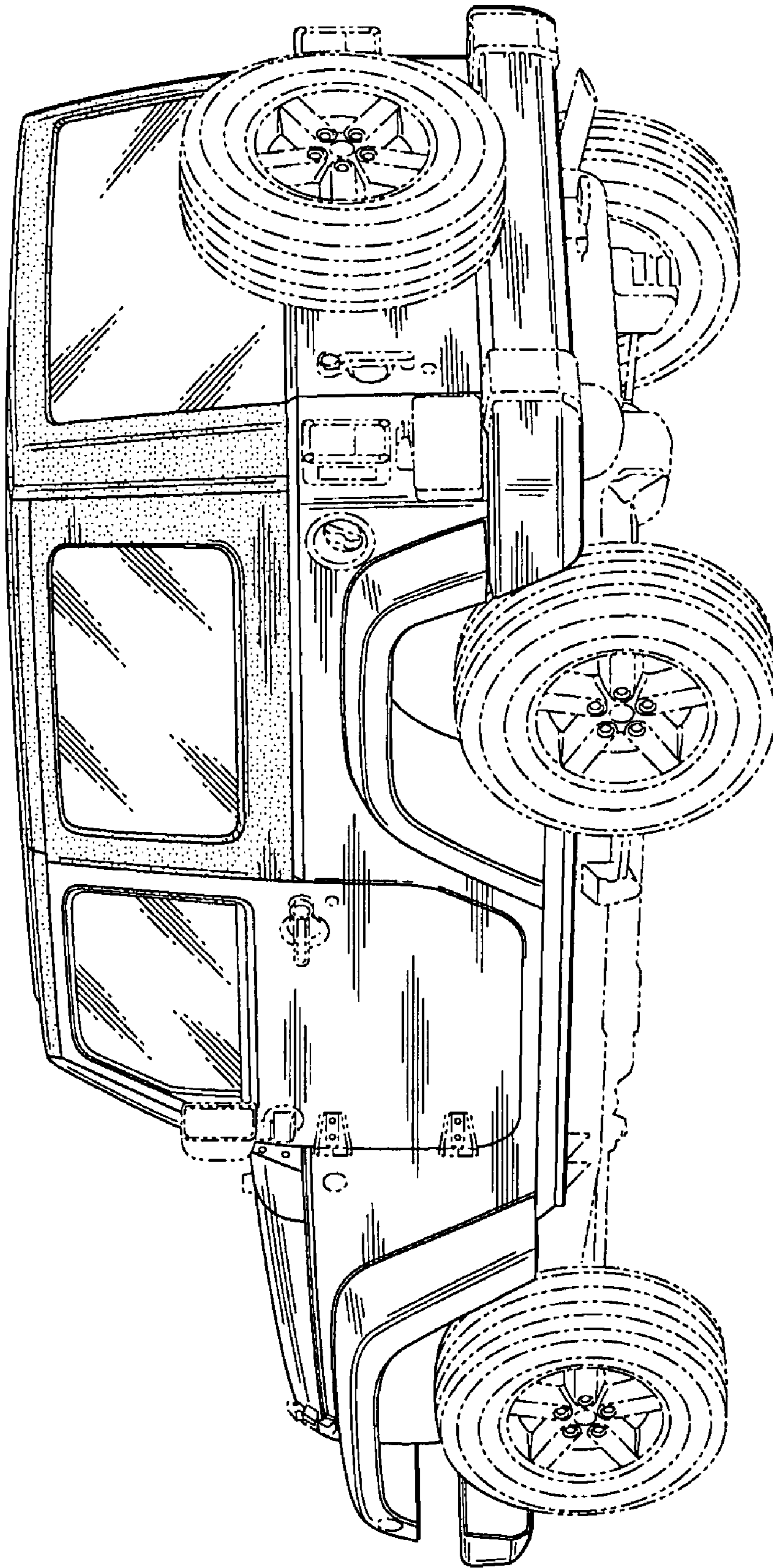


*Fig. 8*

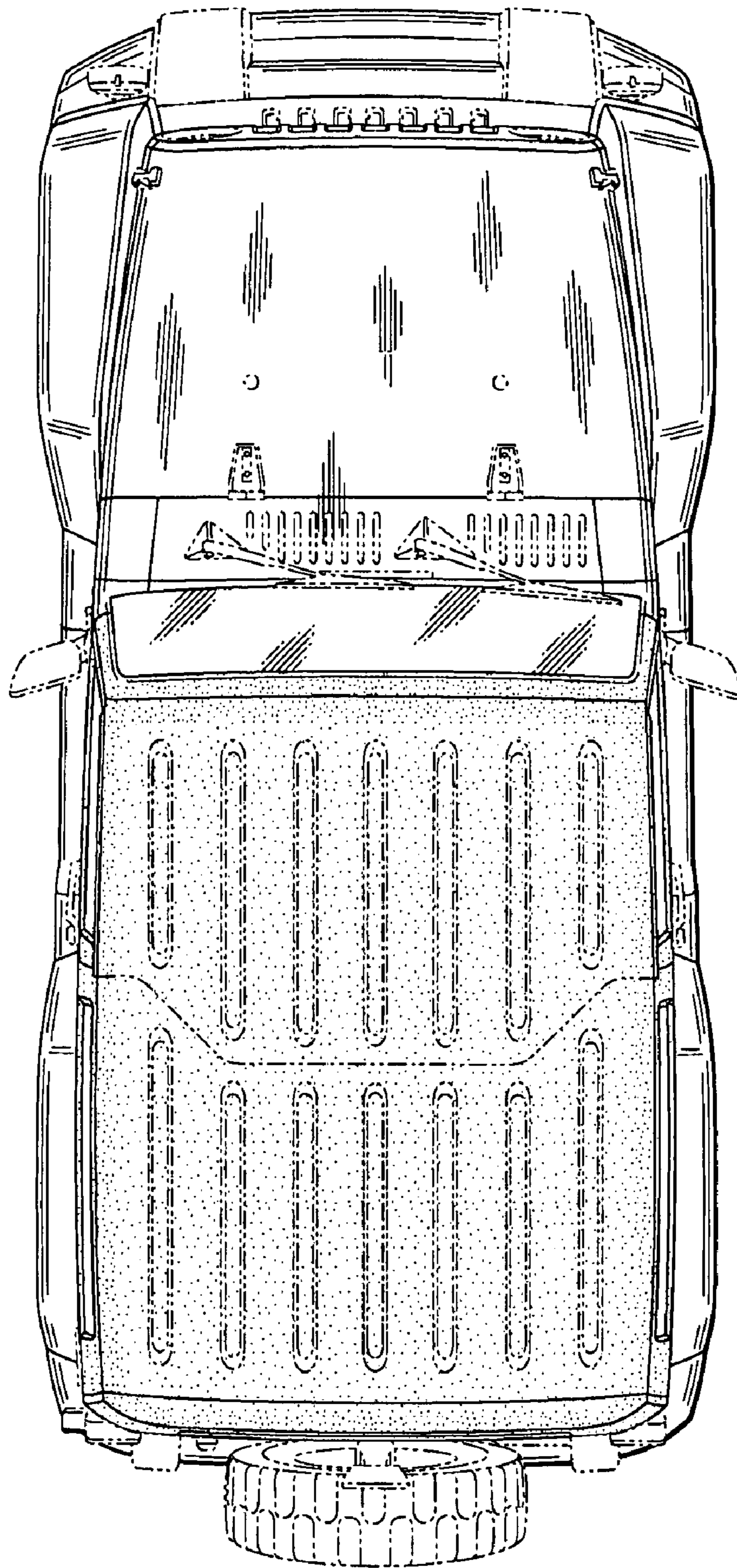


*Fig. 9*





*Fig. 10*



*Fig. 11*