

US00D565463S

(12) **United States Design Patent**
Tomatsu et al.

(10) **Patent No.:** **US D565,463 S**

(45) **Date of Patent:** **** Apr. 1, 2008**

(54) **FRONT GRILL FOR AN AUTOMOBILE**

Brochure of ist; TOYOTA ist; Toyota Jidosha Kabushiki Kaisha; May 2002.

(75) Inventors: **Nobuyuki Tomatsu**, Toyota (JP);
Mitsushi Kintaka, Kariya (JP); **Shogo Tokutake**, Kariya (JP)

* cited by examiner

(73) Assignee: **Toyota Jidosha Kabushiki Kaisha**,
Toyota (JP)

Primary Examiner—Melody N. Brown

(74) *Attorney, Agent, or Firm*—Finnegan, Henderson,
Farabow, Garrett & Dunner, L.L.P.

(**) Term: **14 Years**

(57) **CLAIM**

(21) Appl. No.: **29/274,375**

The ornamental design for a front grill for an automobile, as shown and described.

(22) Filed: **Apr. 20, 2007**

(51) **LOC (8) Cl.** **12-16**

(52) **U.S. Cl.** **D12/16**

(58) **Field of Classification Search** D12/163,
D12/171, 90-92, 216, 169, 196; 180/68.1,
180/68.6; 296/193.11; 293/102, 113, 115
See application file for complete search history.

DESCRIPTION

FIG. 1 is a front, perspective view of a front grill for an automobile of our new design;

FIG. 2 is a front elevational view thereof; and

FIG. 3 is a rear elevational view thereof;

FIG. 4 is a top plan view thereof;

FIG. 5 is a bottom plan view thereof;

FIG. 6 is a right side elevational view thereof; and,

FIG. 7 is a left side elevational view thereof.

(56) **References Cited**

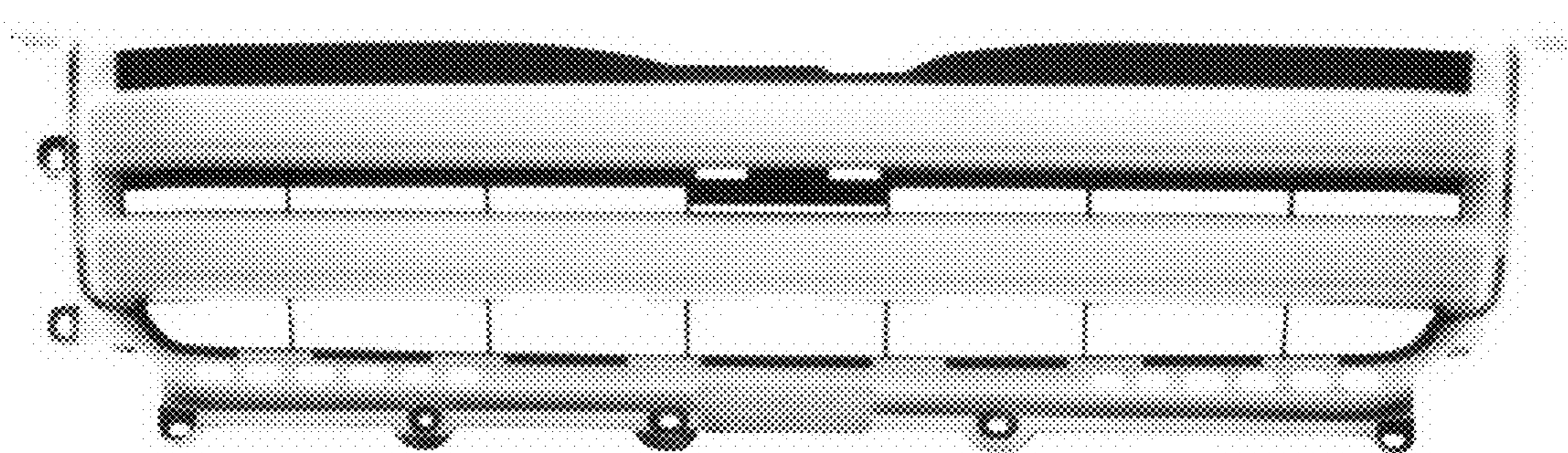
U.S. PATENT DOCUMENTS

- D464,296 S * 10/2002 Nemoto D12/163
- D500,265 S * 12/2004 Ishibashi D12/163
- D504,364 S * 4/2005 Nagura et al. D12/163
- D525,570 S 7/2006 Sugiura

OTHER PUBLICATIONS

Brochure of Noah; Toyota Noah; Toyota Jidosha Kabushiki Kaisha; Aug. 2002.

1 Claim, 3 Drawing Sheets



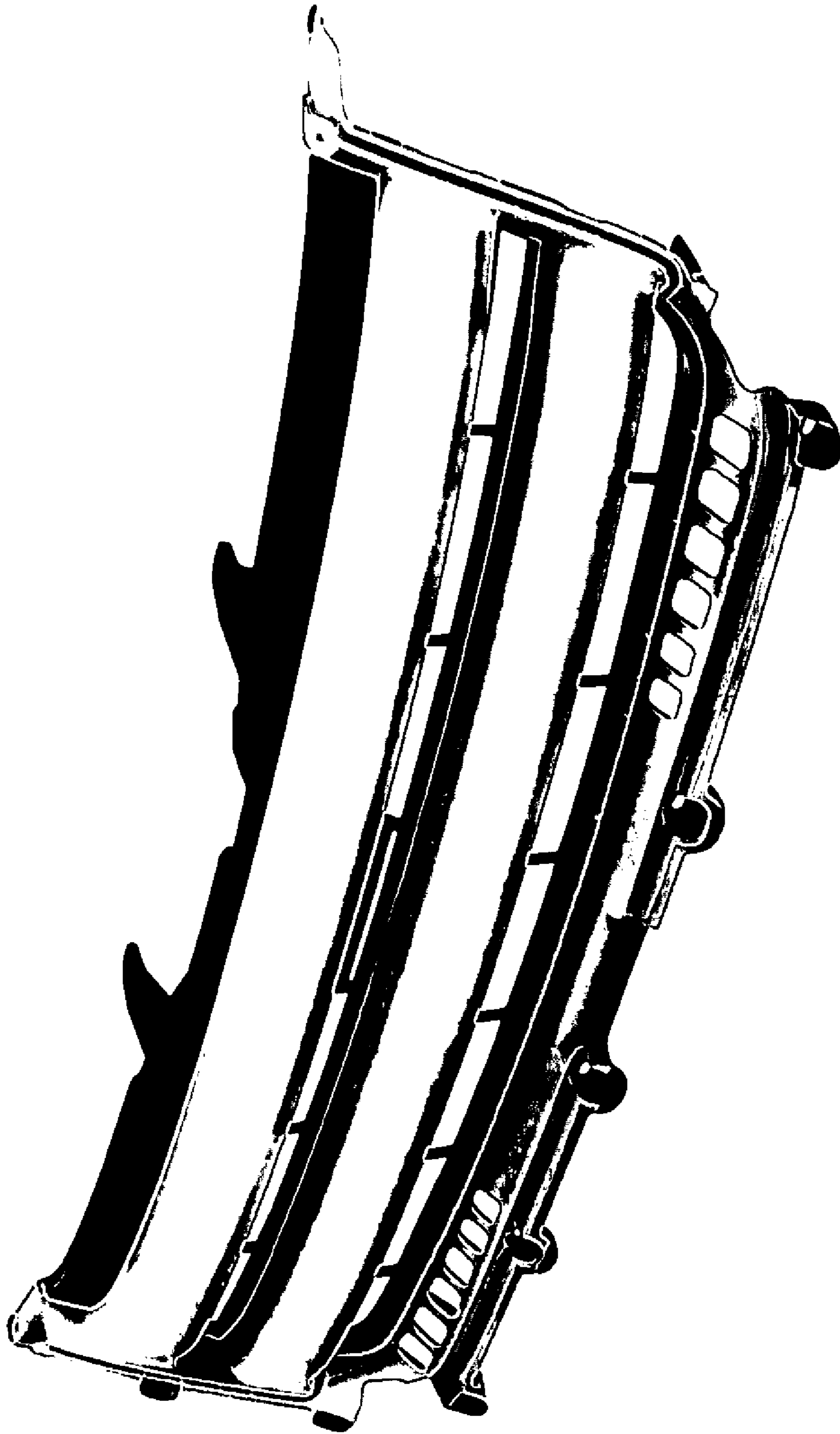


FIG. 1

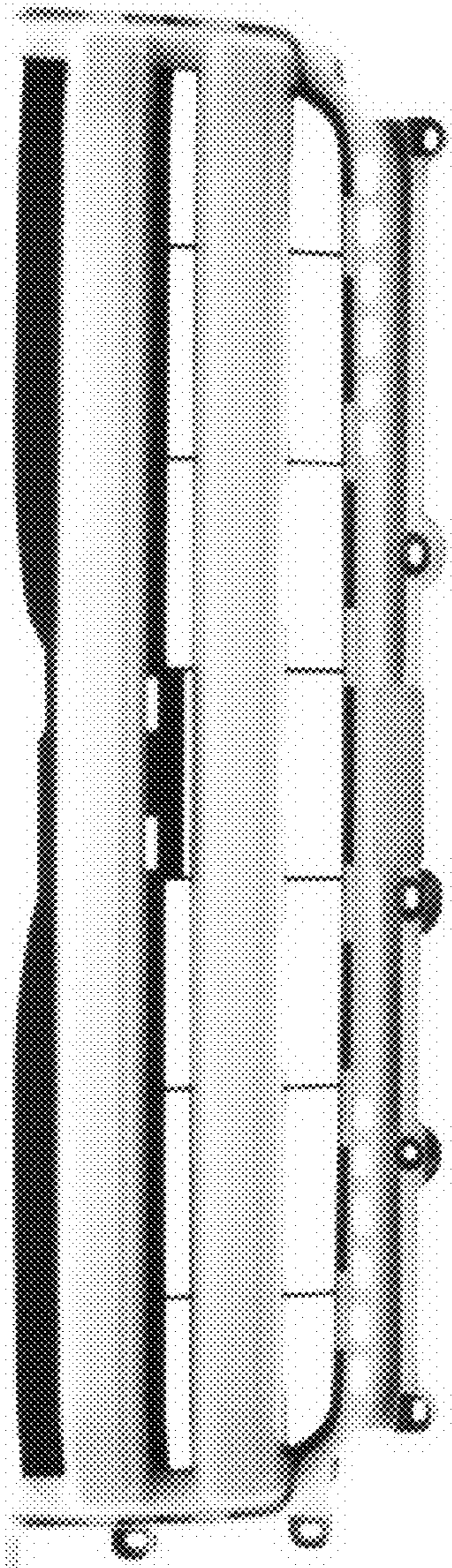


FIG. 2

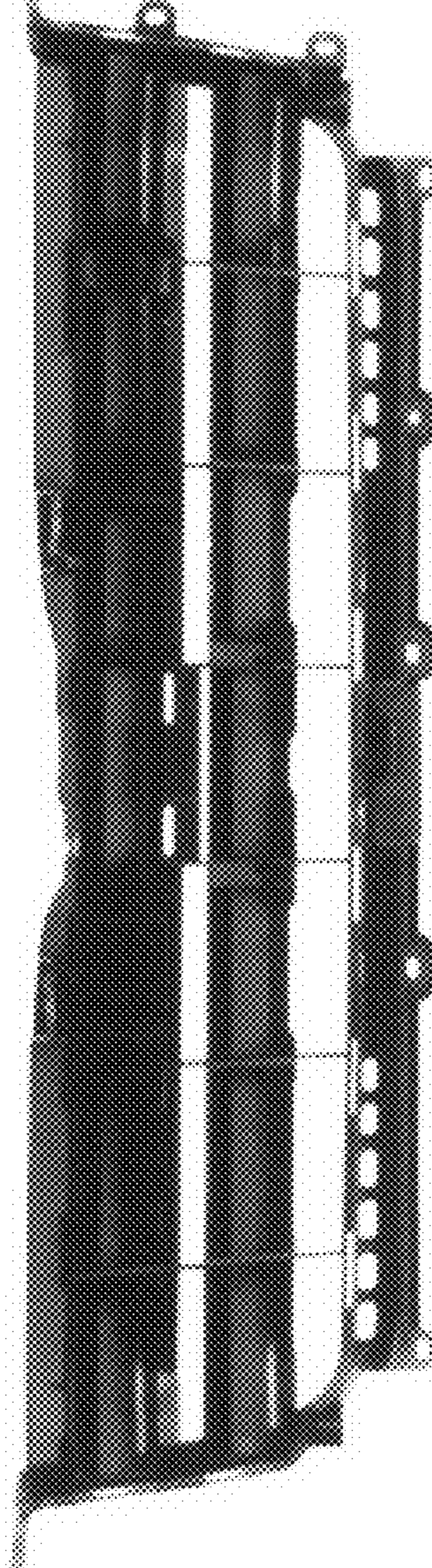


FIG. 3



FIG. 4

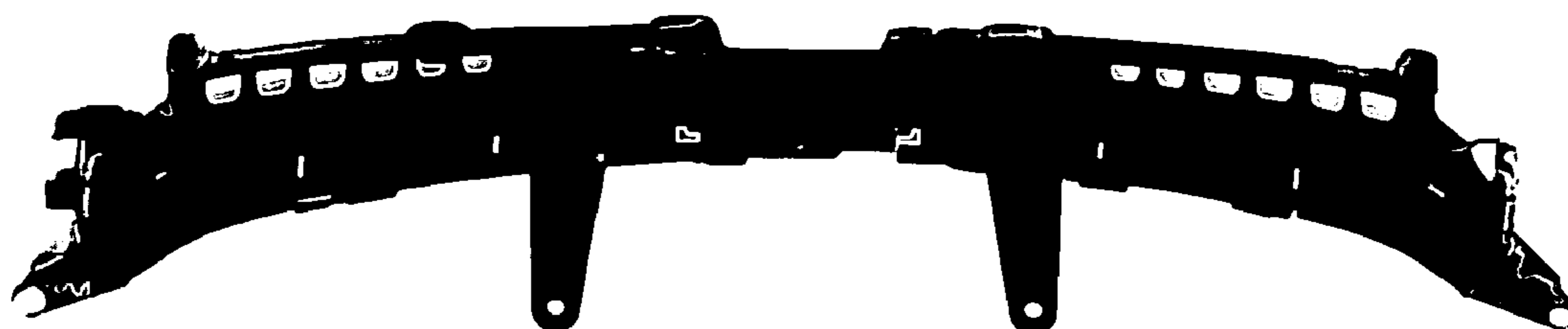


FIG. 5



FIG. 6

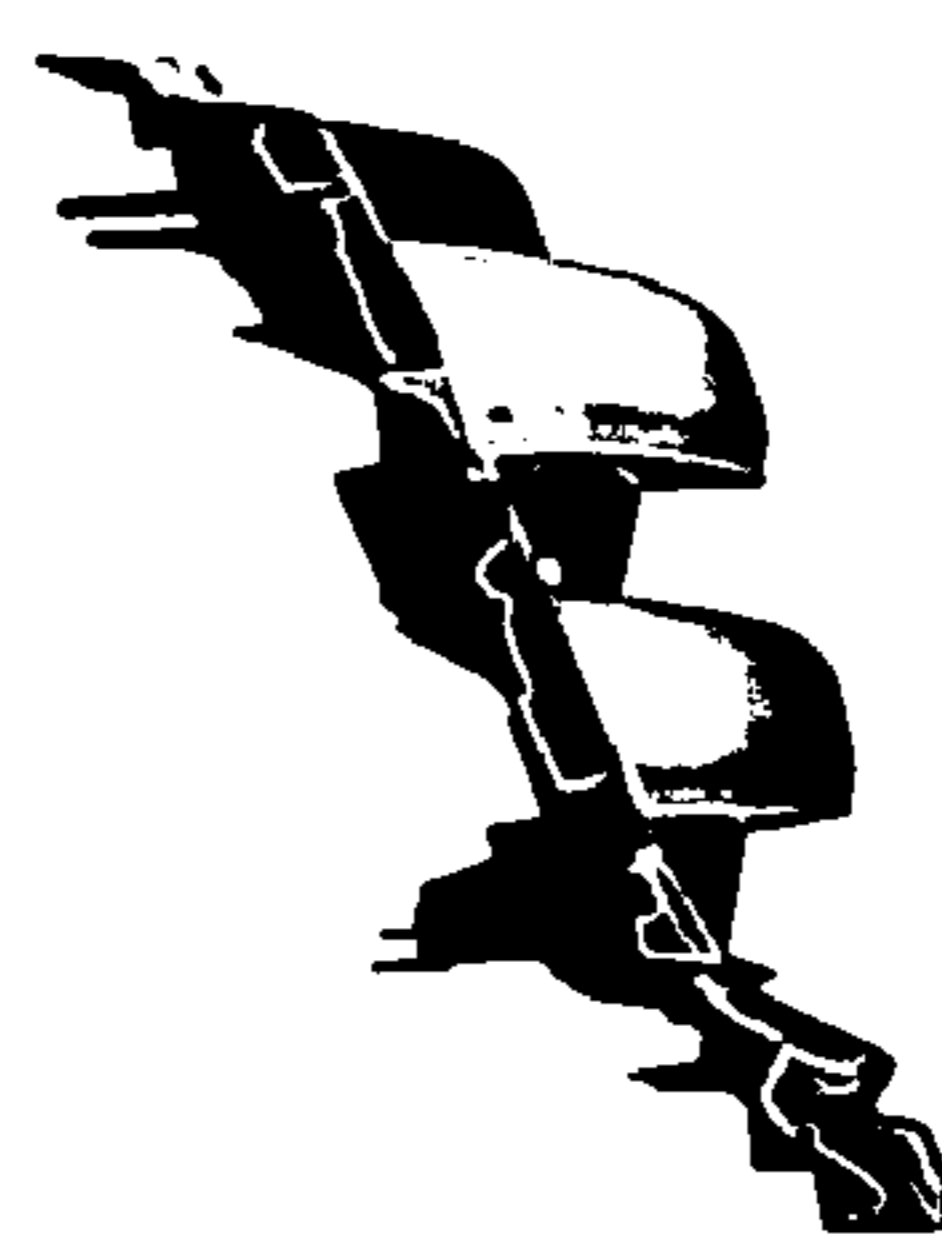


FIG. 7