

US00D565462S

(12) **United States Design Patent**
Stewart-Stand

(10) **Patent No.:** **US D565,462 S**

(45) **Date of Patent:** **** Apr. 1, 2008**

(54) **ARTICULATED SHIRT STUD**

D415,068 S * 10/1999 Calvani D11/222
D449,015 S * 10/2001 Dror D11/222

(76) Inventor: **Theo Stewart-Stand**, 68 Jay St., Suite
210, Brooklyn, NY (US) 11201

* cited by examiner

(**) Term: **14 Years**

Primary Examiner—Catherine R. Oliver

(21) Appl. No.: **29/289,703**

(57) **CLAIM**

(22) Filed: **Jul. 30, 2007**

The ornamental design for articulated shirt stud, as shown
and described.

(51) **LOC (8) Cl.** **02-07**

(52) **U.S. Cl.** **D11/222**

(58) **Field of Classification Search** D11/222,
D11/223, 226, 213–216; 24/41–47, 102 R,
24/102 P, 102 FC, 102 A, 101 R, 685
See application file for complete search history.

DESCRIPTION

FIG. 1 shows a front view of the articulated shirt stud,
showing my new design;

FIG. 2 shows a front view of an alternate embodiment of the
shirt stud according to the invention.

FIG. 3 shows a side view of my design for a shirt stud
according to the invention.

FIG. 4 shows a rear view of my design for a shirt stud
according to the invention; and,

FIG. 5 shows a perspective view of my design for a shirt stud
in its fully deployed state according to the invention.

(56) **References Cited**

U.S. PATENT DOCUMENTS

1,059,790	A	*	4/1913	Volmer	24/102 P
D140,726	S	*	4/1945	Collura	D11/226
D160,002	S	*	9/1950	Moulson	D11/222
2,665,465	A	*	1/1954	Albrecht	D11/226
4,516,294	A	*	5/1985	Sanderson	24/102 PL
D397,064	S	*	8/1998	Nelson	D11/222

1 Claim, 3 Drawing Sheets

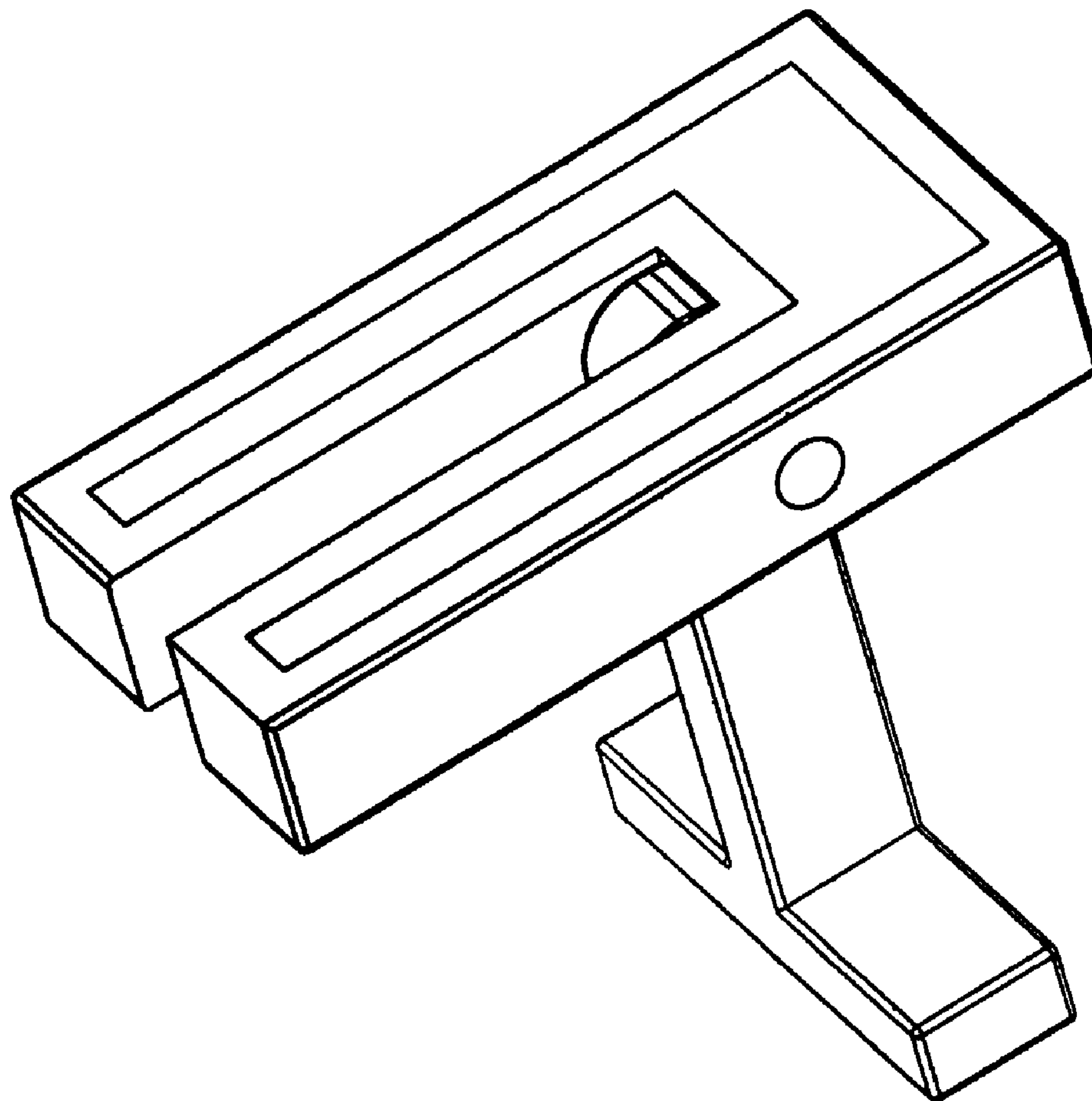


FIG. 1:

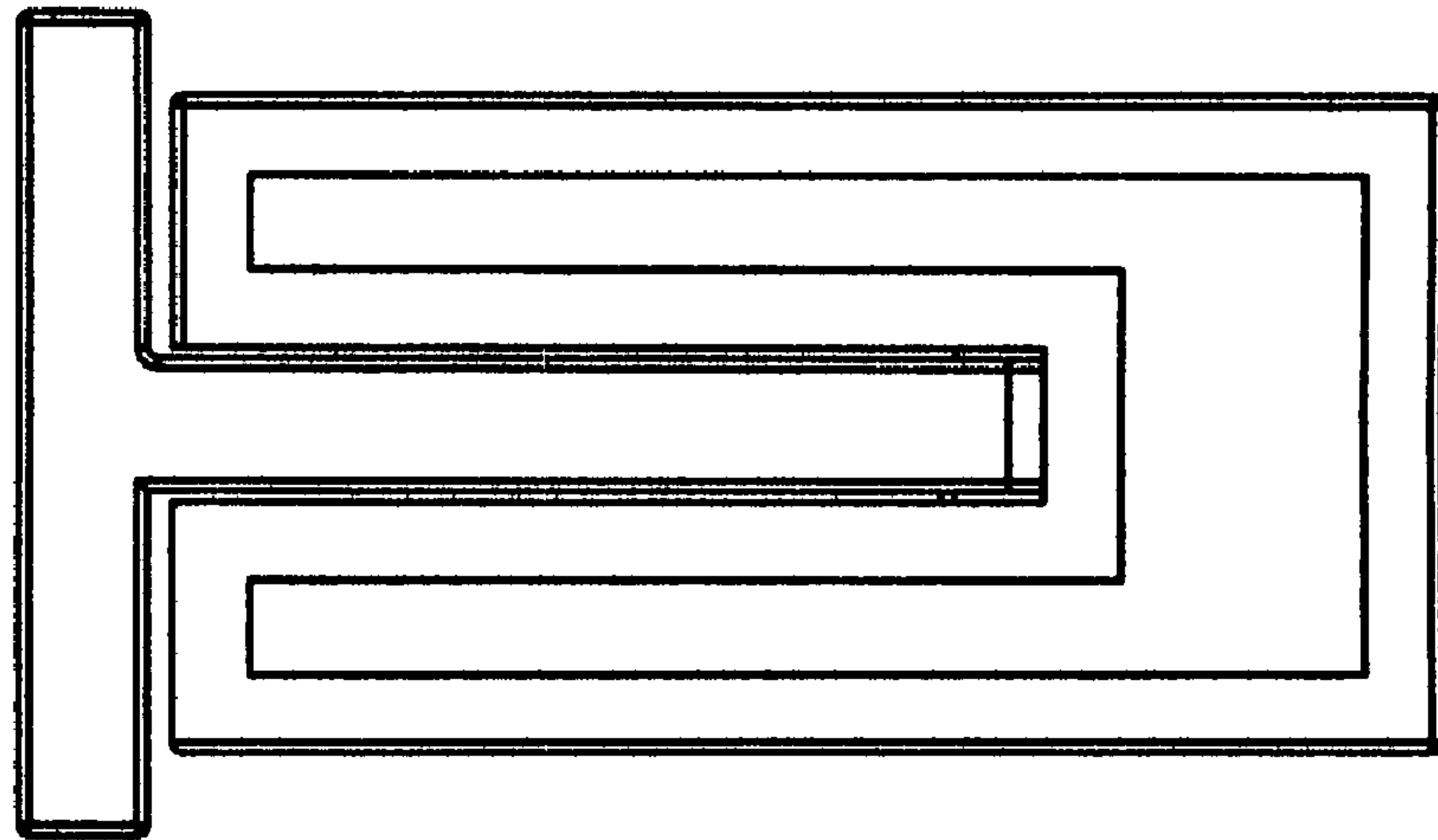


FIG. 2:

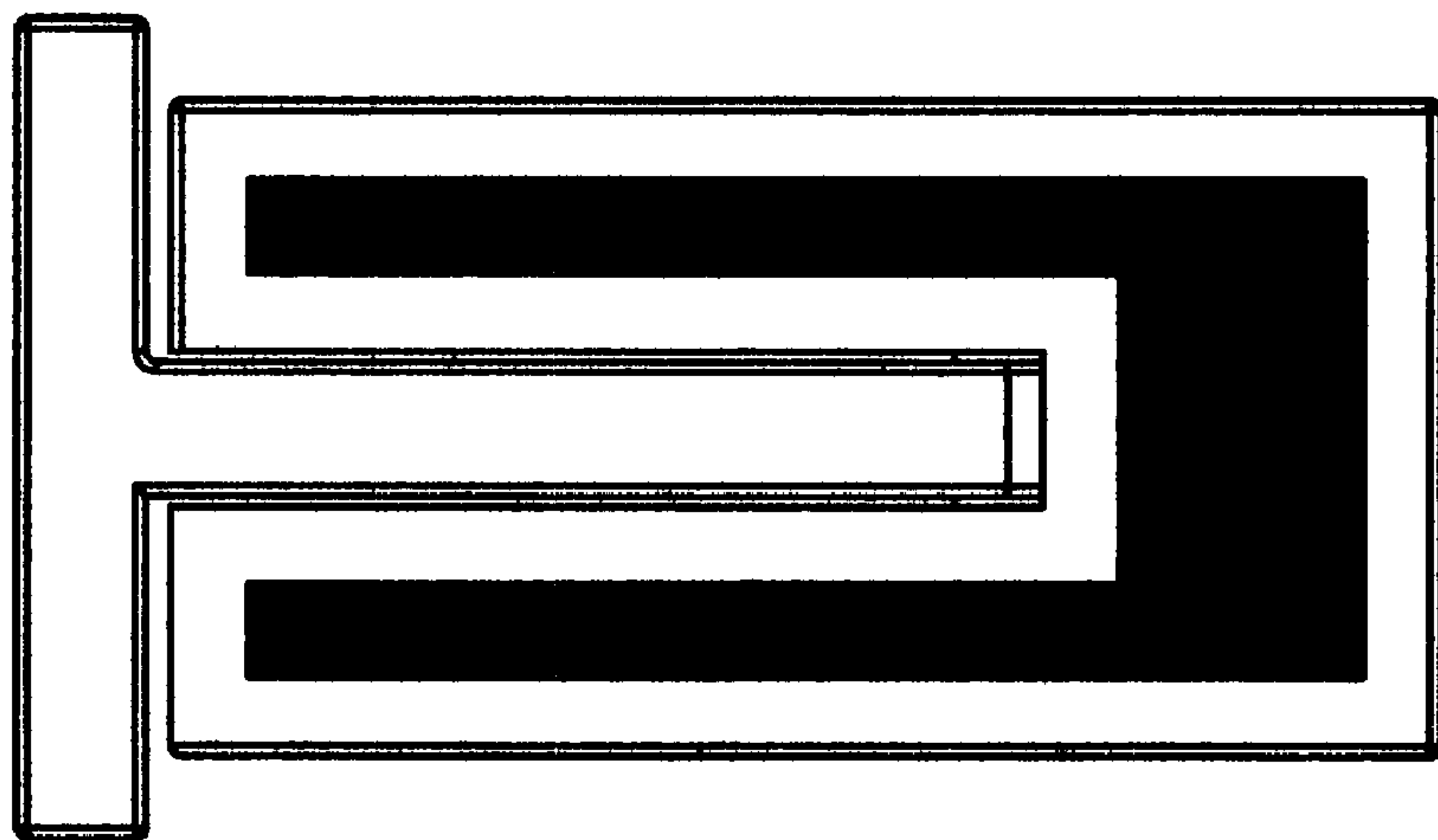


FIG. 3:



FIG. 4:

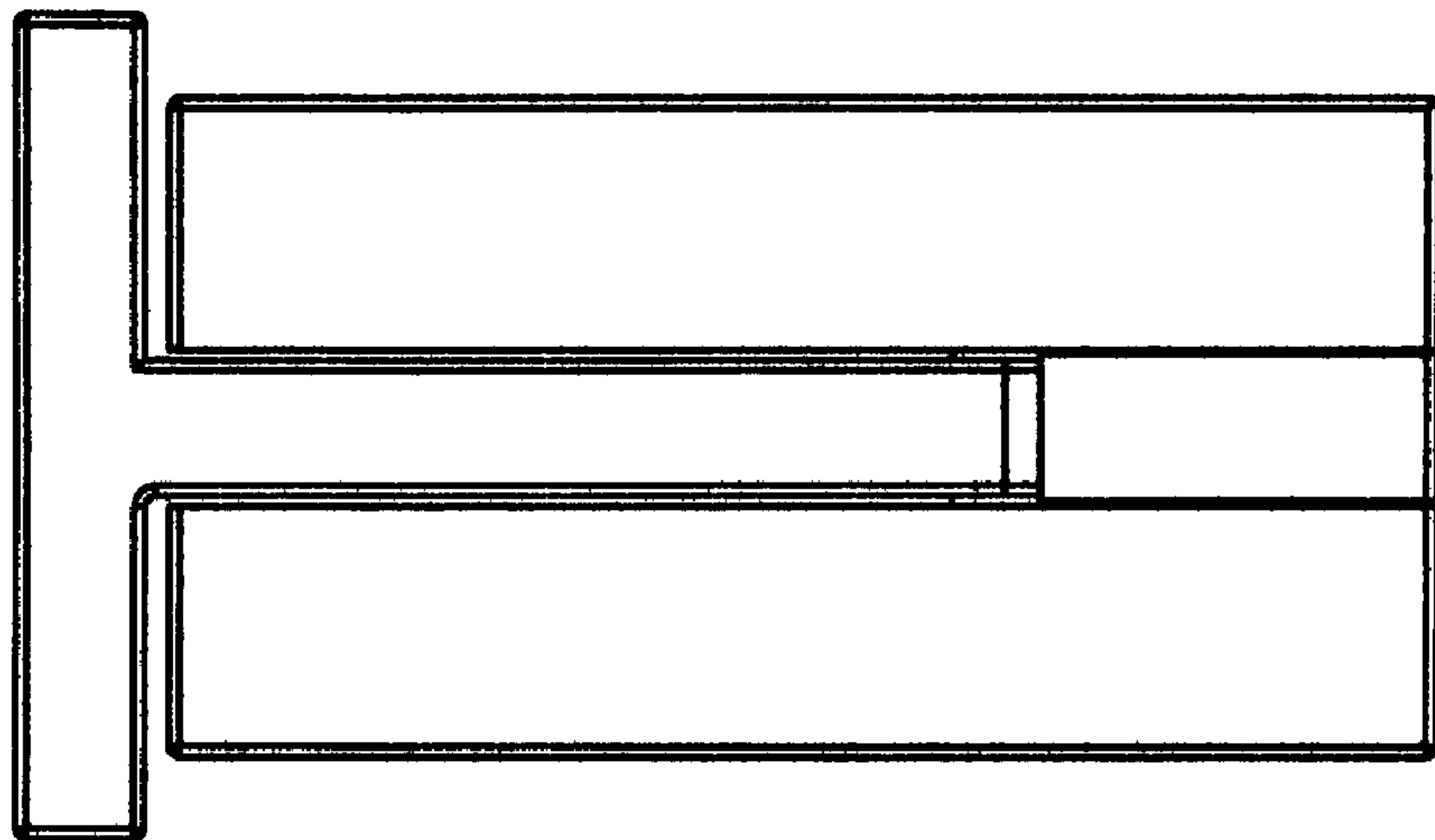


FIG. 5:

