



US00D565447S

(12) **United States Design Patent**
Horng

(10) **Patent No.:** **US D565,447 S**

(45) **Date of Patent:** **** Apr. 1, 2008**

(54) **SOLAR WARNING LIGHT**

(75) Inventor: **Horng-Tsung Horng**, No. 315, Jen Ai Rd., Erhlin Town, Changhua Hsien (TW)

(73) Assignees: **Horng-Tsung Horng**, Changhua Hsien (TW); **Fu-Yuan Chen**, Taoyuan Hsien (TW); **Chi-Sung Wu**, Yunlin Hsien (TW)

(**) Term: **14 Years**

(21) Appl. No.: **29/249,182**

(22) Filed: **Sep. 26, 2006**

(51) **LOC (8) Cl.** **10-05**

(52) **U.S. Cl.** **D10/113**

(58) **Field of Classification Search** D10/113,
D10/114; 404/9-16; 116/63 R, 63 P
See application file for complete search history.

(56) **References Cited**

U.S. PATENT DOCUMENTS

3,877,785	A *	4/1975	Schaefer	359/542
3,922,066	A *	11/1975	Schaefer	359/534
D267,933	S *	2/1983	Luckinbill	D10/113
4,498,733	A *	2/1985	Flanagan	359/531
4,504,169	A *	3/1985	Jones	404/11
4,875,798	A *	10/1989	May	404/12
D311,704	S *	10/1990	May	D10/113
5,002,424	A *	3/1991	Hedgewick	404/14
D320,759	S *	10/1991	Sakko	D10/113
D326,060	S *	5/1992	Sakko	D10/113
D326,424	S *	5/1992	Sakko	D10/113
D329,990	S *	10/1992	Plummer	D12/414.1
D339,080	S *	9/1993	Gartlacher	D10/113
D348,411	S *	7/1994	Hedgewick	D10/113
5,340,231	A *	8/1994	Steere et al.	404/14
5,392,728	A *	2/1995	Speer et al.	116/63 R
D357,206	S *	4/1995	Weid	D10/113
D360,601	S *	7/1995	Weid	D10/113
5,449,244	A *	9/1995	Sandino	404/14
5,502,593	A *	3/1996	Hedgewick	359/547

5,513,924	A *	5/1996	Alghunaim	404/14
D382,826	S *	8/1997	Sakko	D10/113
D385,809	S *	11/1997	Chen	D10/113
D386,434	S *	11/1997	Sandino	D10/113
D386,706	S *	11/1997	Khieu	D10/113
D388,353	S *	12/1997	Desborough et al.	D10/113
D422,523	S *	4/2000	Weid	D10/113
6,126,360	A *	10/2000	May et al.	404/14
6,168,276	B1 *	1/2001	Weid	359/547
D470,787	S *	2/2003	Kim	D10/113
D472,489	S *	4/2003	Kim	D10/113
D490,335	S *	5/2004	Attar	D10/113
D512,335	S *	12/2005	Chang	D10/113
D514,465	S *	2/2006	Chang	D10/113
D515,957	S *	2/2006	Dueker et al.	D10/109
D519,050	S *	4/2006	Lee	D10/113
D520,394	S *	5/2006	Li et al.	D10/113
7,106,179	B1 *	9/2006	Dueker et al.	340/321
2003/0059256	A1 *	3/2003	Gallup et al.	404/16
2004/0101364	A1 *	5/2004	Kuo	404/16

(Continued)

Primary Examiner—Robert M. Spear
Assistant Examiner—George D Kirschbaum
(74) *Attorney, Agent, or Firm*—Alan Kamrath; Kamrath & Associates PA

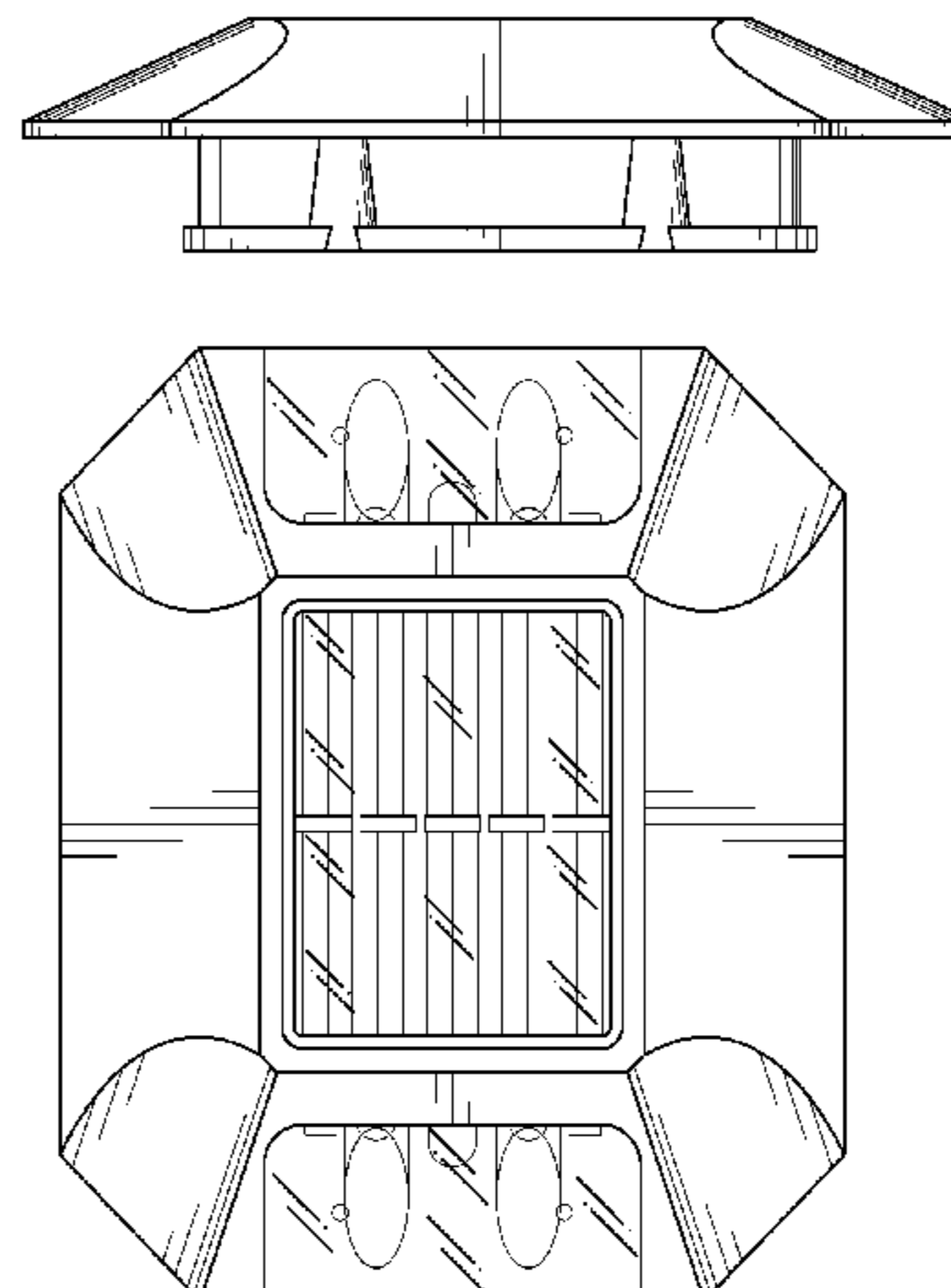
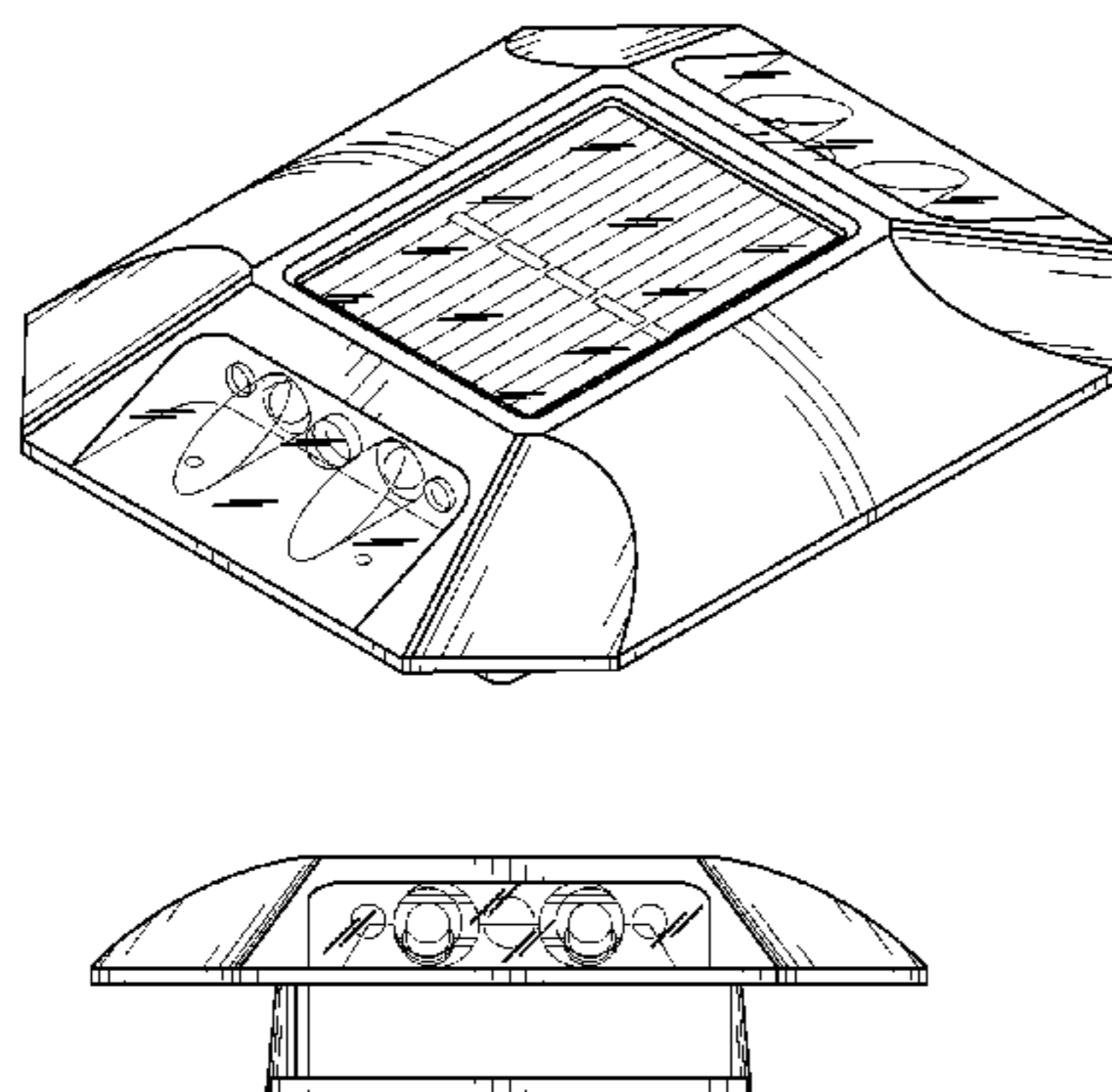
(57) **CLAIM**

The ornamental design for solar warning light, as shown and described.

DESCRIPTION

FIG. 1 is a perspective view of a solar warning light showing my new design;
FIG. 2 is a front view thereof; the opposite side being a mirror image of the shown;
FIG. 3 is a left view thereof; the opposite side being a mirror image of the shown;
FIG. 4 is a top view thereof; and,
FIG. 5 is a bottom view thereof.

1 Claim, 3 Drawing Sheets



US D565,447 S

Page 2

U.S. PATENT DOCUMENTS

2004/0184881	A1*	9/2004	Burchell	404/16				
2005/0008434	A1*	1/2005	Chen	404/16				
2005/0025570	A1*	2/2005	Snagel	404/16				
2005/0238425	A1*	10/2005	Safar	404/16				
2005/0270175	A1*	12/2005	Peddie et al.	340/907				
2006/0193691	A1*	8/2006	Gonzalez et al.	404/15				
2006/0193692	A1*	8/2006	Kim et al.	404/16				
2006/0257205	A1*	11/2006	Jordan et al.	404/16				
2006/0280555	A1*	12/2006	Forrer	404/16				
2007/0048085	A1*	3/2007	Lee	404/15				
2007/0092334	A1*	4/2007	Forrer	404/16				

* cited by examiner

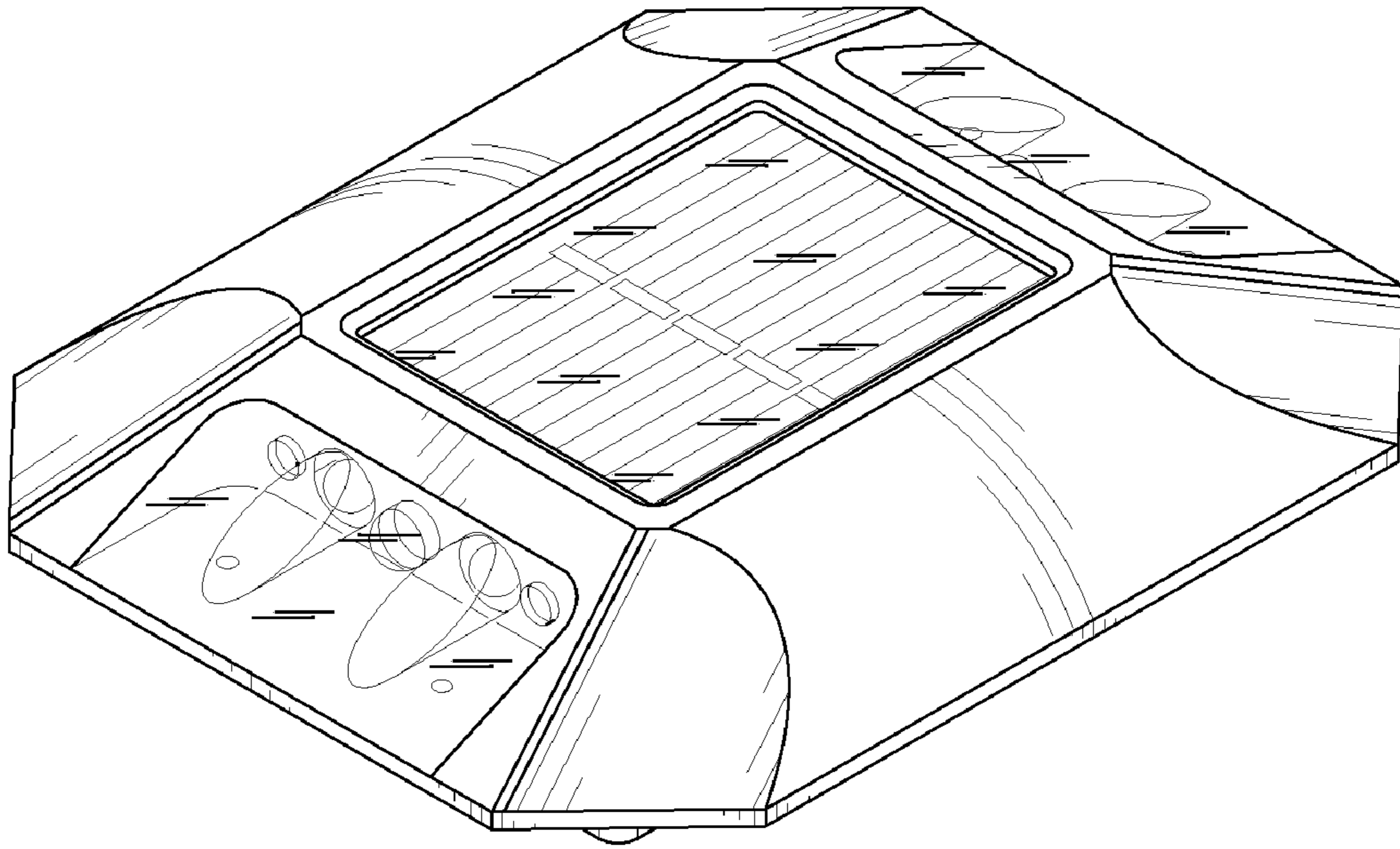


Fig.1

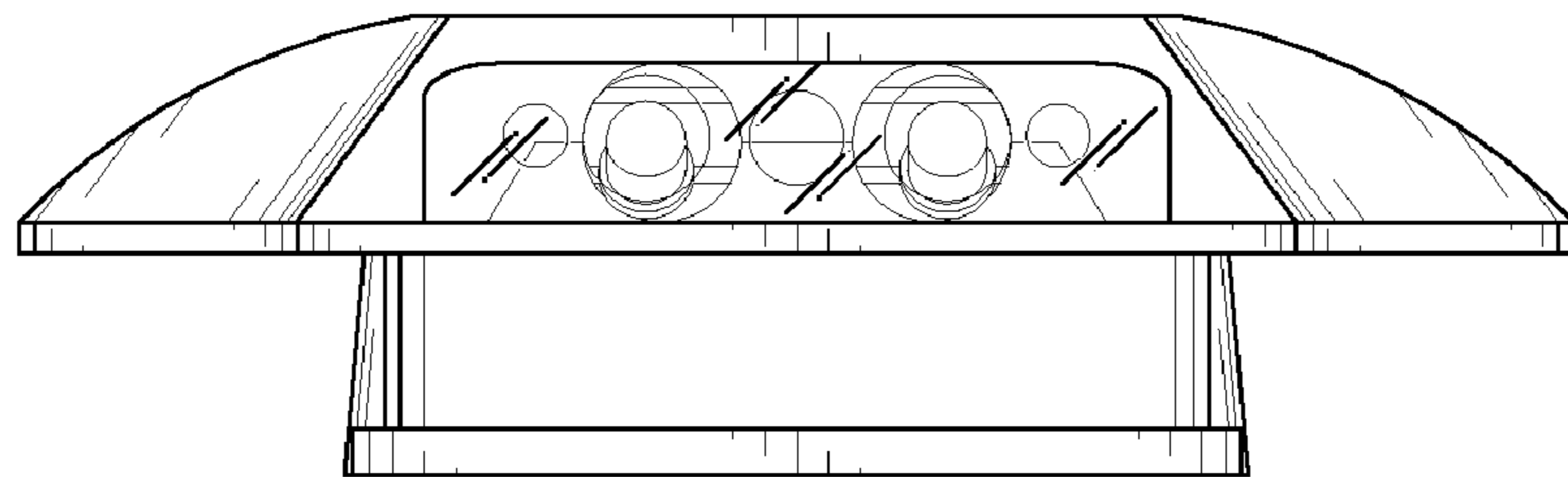


Fig.2

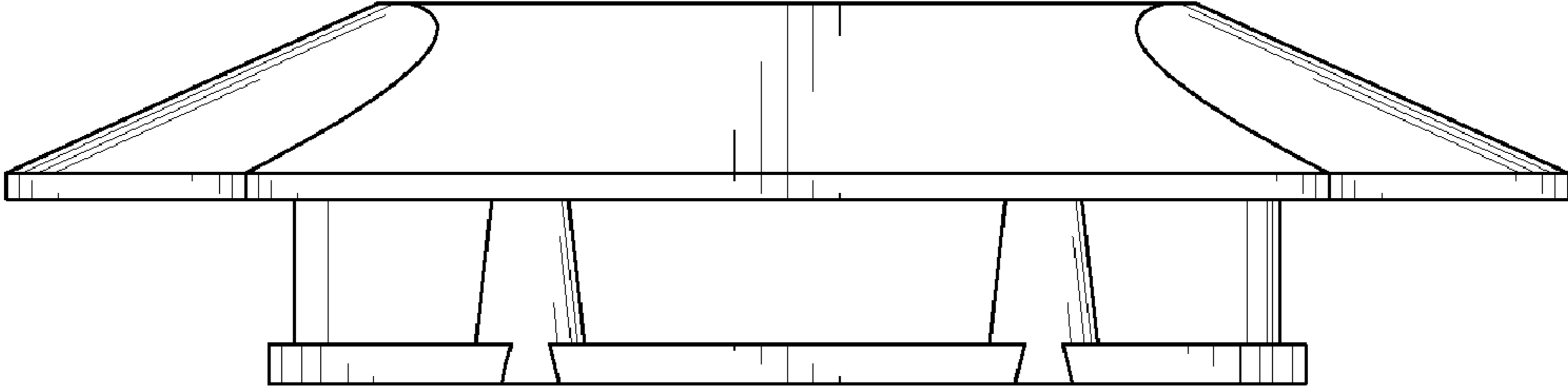


Fig.3

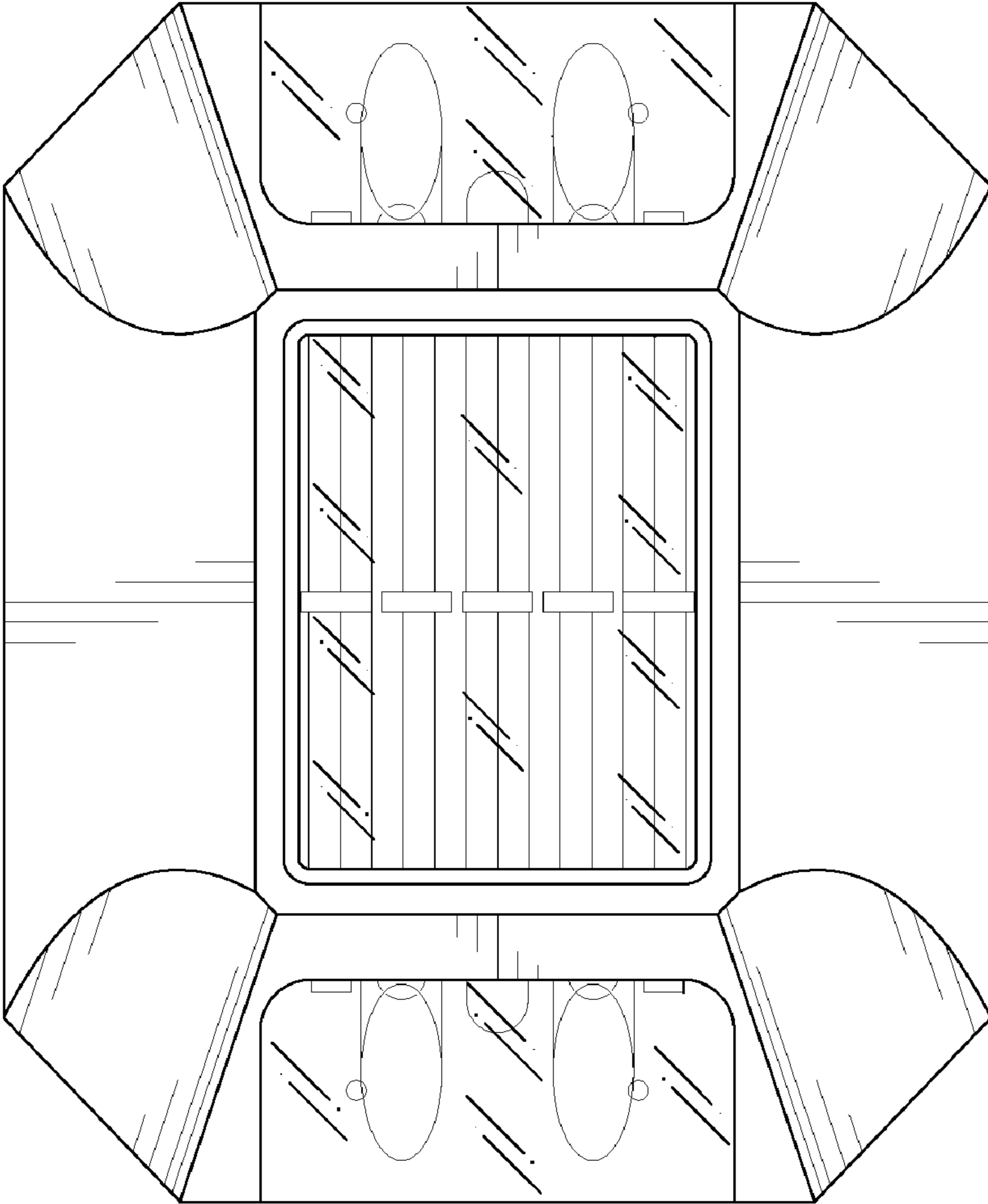


Fig.4

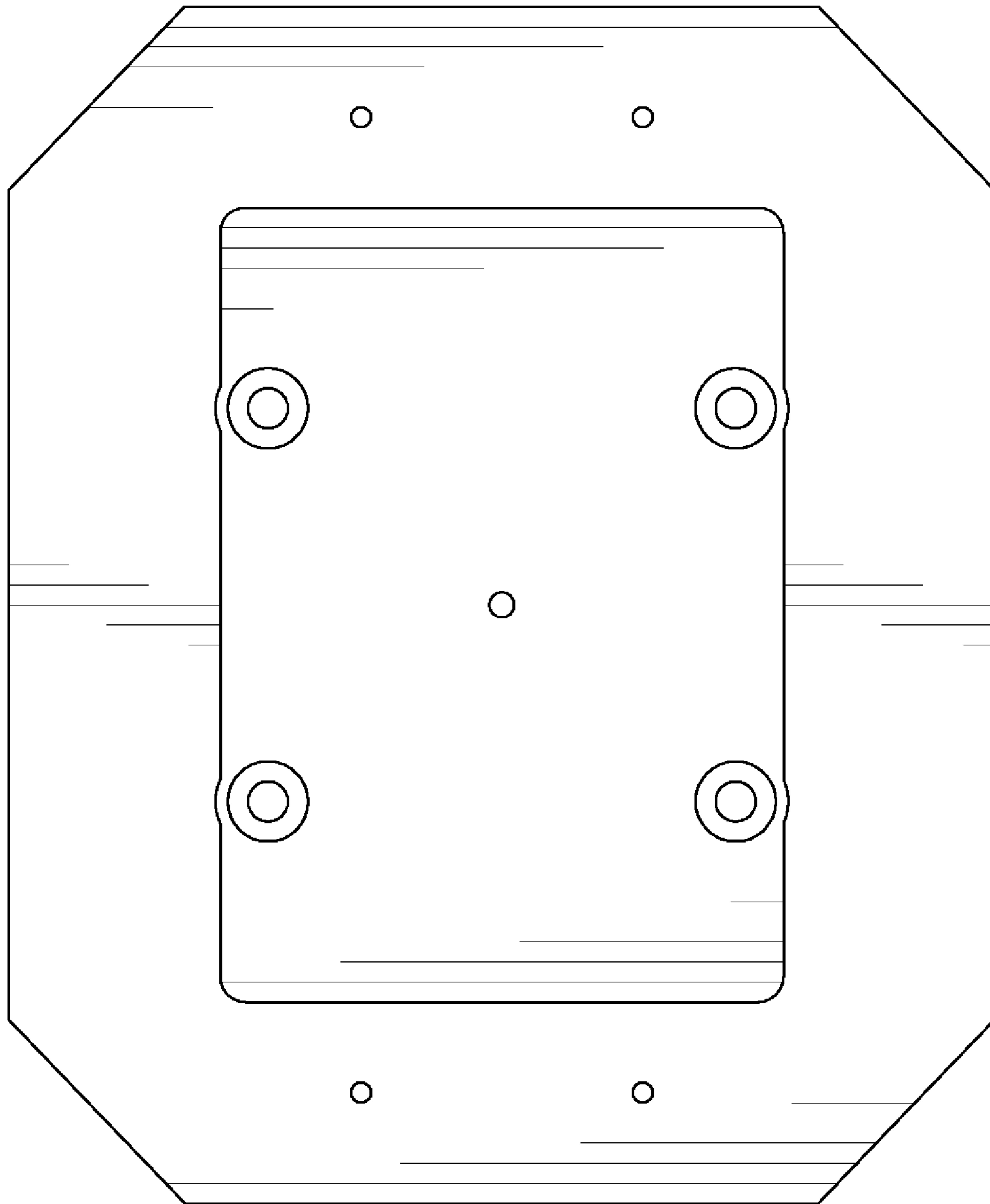


Fig.5