



US00D565446S

(12) **United States Design Patent** (10) **Patent No.:** **US D565,446 S**
Nizzere (45) **Date of Patent:** **** Apr. 1, 2008**

(54) **PORTION OF A SCALE**
(75) Inventor: **Paul D. Nizzere**, Darien, IL (US)
(73) Assignee: **Pelstar, LLC**, Bridgeview, IL (US)
(**) Term: **14 Years**
(21) Appl. No.: **29/275,559**
(22) Filed: **Dec. 29, 2006**

Primary Examiner—Antoine D. Davis
(74) *Attorney, Agent, or Firm*—Michael Best & Friedrich LLP

(57) **CLAIM**

The ornamental design for a portion of a scale, as shown and described.

(51) **LOC (8) Cl.** **10-04**
(52) **U.S. Cl.** **D10/94**
(58) **Field of Classification Search** D10/93–94;
177/238–245, 25.13, 25.15, 25.16, 210 C,
177/210 R, 211, DIG. 3
See application file for complete search history.

DESCRIPTION

FIG. 1 is a perspective view of a portion of a scale, such as a digital beam scale, embodying independent aspects of the invention.

FIG. 2 is a front view of the portion of the digital beam scale shown in FIG. 1.

FIG. 3 is a rear view of the portion of the digital beam scale shown in FIG. 1.

FIG. 4 is a side view of the portion of the digital beam scale shown in FIG. 1.

FIG. 5 is a side view of the portion of the digital beam scale shown in FIG. 1; and,

FIG. 6 is a top view of the portion of the digital beam scale shown in FIG. 1.

The present application is directed to the shape and contour of a portion of a scale, such as a digital beam scale, of the design illustrated in the drawings. Other features of the drawings, specifically, the shape of the remainder of the digital beam scale and the type of scale, are not considered part of the design currently sought to be patented and have accordingly been shown in broken lines.

(56) **References Cited**

U.S. PATENT DOCUMENTS

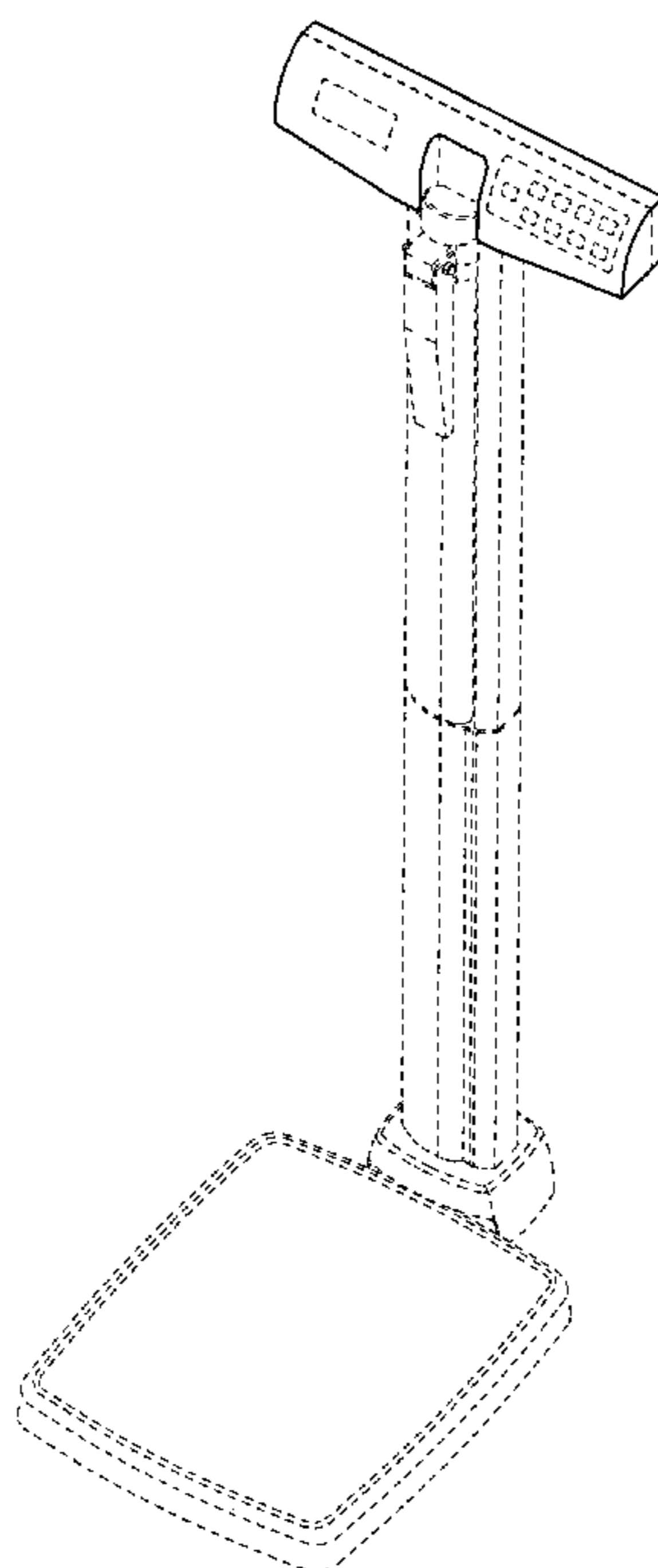
D350,075 S *	8/1994	Reeder	D10/94
5,415,176 A	5/1995	Sato et al.		
D415,972 S	11/1999	Sato et al.		
D425,807 S	5/2000	Sato		
RE37,954 E	1/2003	Sato et al.		
D497,563 S	10/2004	Vuckovic		
6,829,958 B2	12/2004	Sunako et al.		
D503,120 S	3/2005	Sato et al.		
D506,155 S	6/2005	Montagnino et al.		
D507,983 S	8/2005	Kobayakawa		
2003/0023186 A1	1/2003	Ueda et al.		
2005/0155246 A1	7/2005	Montagnino		

OTHER PUBLICATIONS

Tanita, Electronic Physician Scale Model WB-300, WB300DH—Operating Instruction Manual.

* cited by examiner

1 Claim, 5 Drawing Sheets



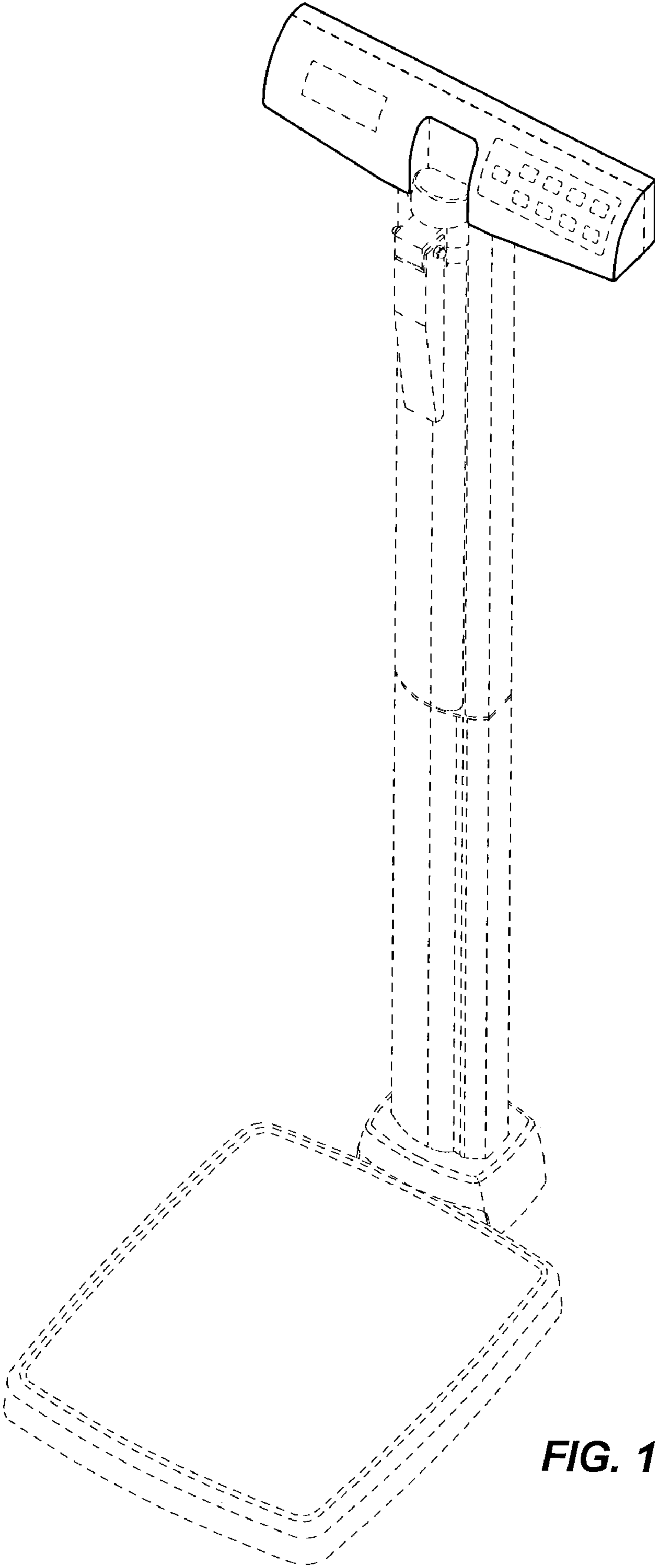


FIG. 1

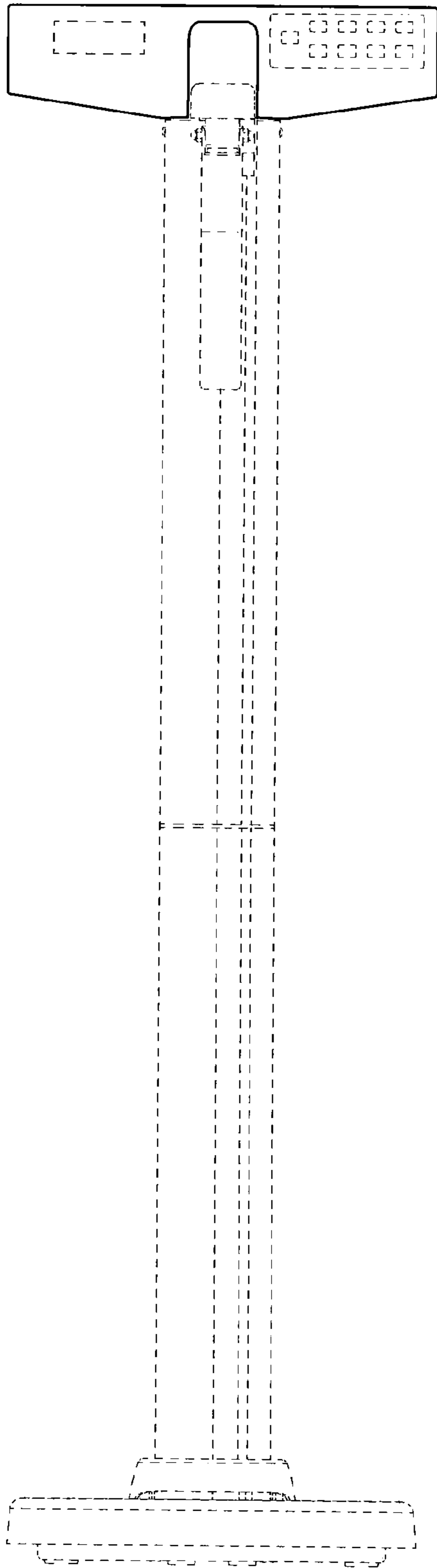


FIG. 2

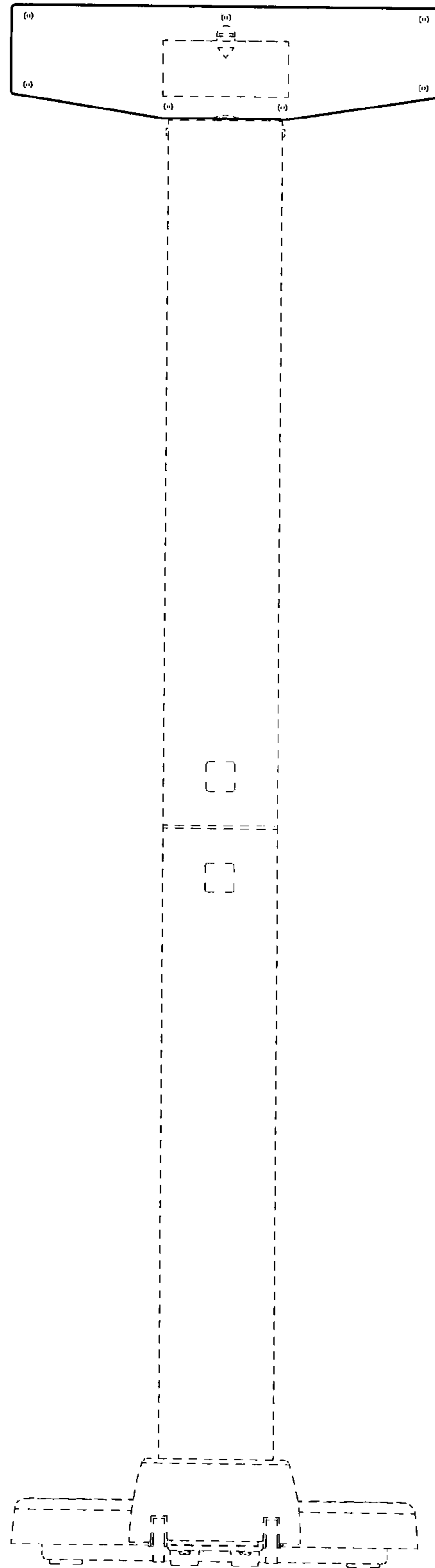


FIG. 3

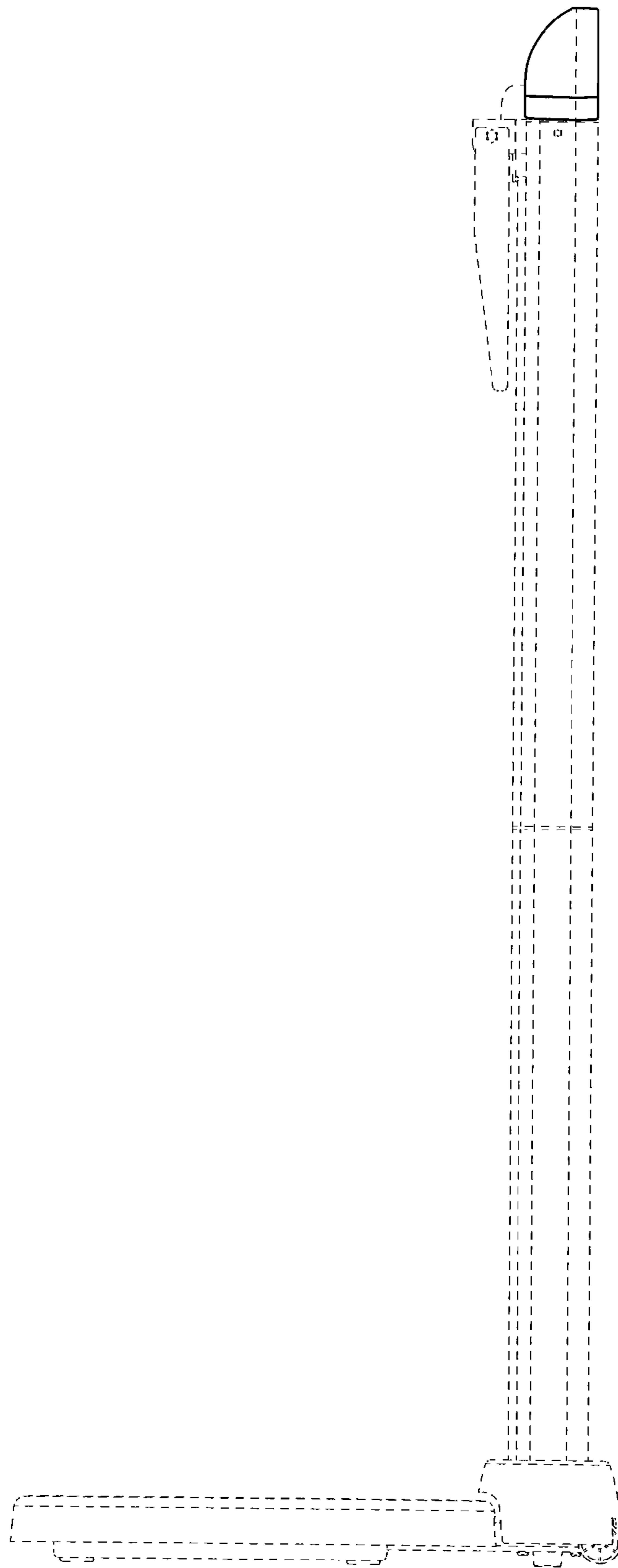


FIG. 4



FIG. 5

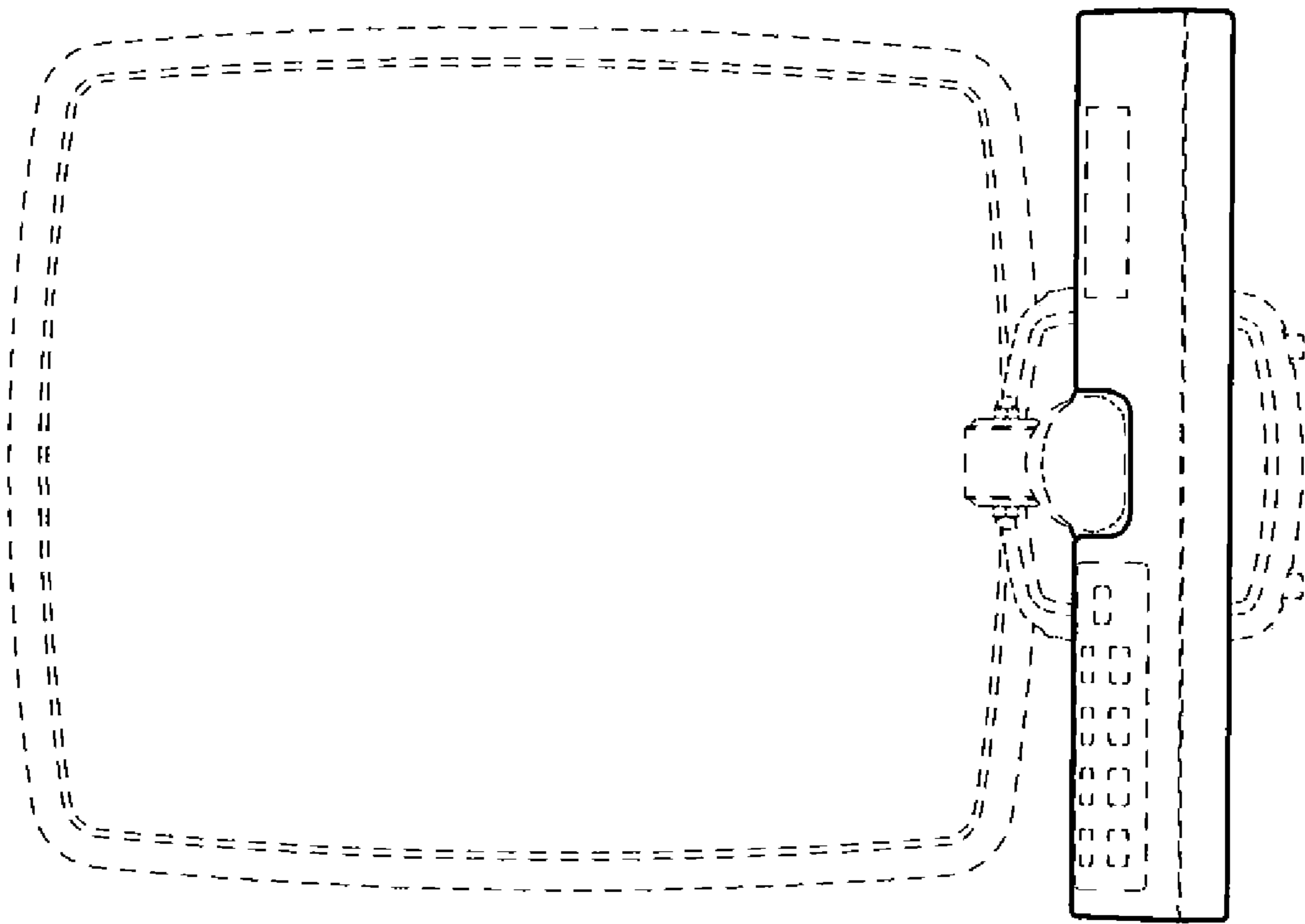


FIG. 6