

US00D565445S

(12) **United States Design Patent**  
**Shymko**

(10) **Patent No.:** **US D565,445 S**

(45) **Date of Patent:** **\*\* Apr. 1, 2008**

(54) **DENSITY SCOOP AND THE LIKE**

*Primary Examiner*—Antoine D. Davis

(76) **Inventor:** **Wayne W. Shymko**, 22 Celina Cove,  
Winnipeg, Manitoba (CA) R2V 4M9

(57) **CLAIM**

The ornamental design of the density scoop and the like, as shown described.

(\*\*) **Term:** **14 Years**

**DESCRIPTION**

(21) **Appl. No.:** **29/269,917**

FIG. 1 is a top plan view of the scoop with density scale of the design.

(22) **Filed:** **Dec. 12, 2006**

FIG. 2 is a bottom plan view of the scoop with density scale of the design.

(51) **LOC (8) Cl.** ..... **10-04**

FIG. 3 is a left hand side elevational view of the scoop with density scale of the design.

(52) **U.S. Cl.** ..... **D10/87**

(58) **Field of Classification Search** ..... D10/87,  
D10/89; 177/148, 149, 245, 25.13, 211,  
177/DIG. 9

FIG. 4 is a right hand side elevational view of the scoop with density scale of the design.

See application file for complete search history.

FIG. 5 is a rear elevational view of the scoop with density scale of the design.

(56) **References Cited**

**U.S. PATENT DOCUMENTS**

- 6,236,001 B1 5/2001 Shymko
- 6,573,462 B1 6/2003 Shymko

FIG. 6 is a front elevational view of the scoop with density scale of the design; and,

FIG. 7 is a rear perspective view of the scoop with density scale of the design.

**1 Claim, 5 Drawing Sheets**

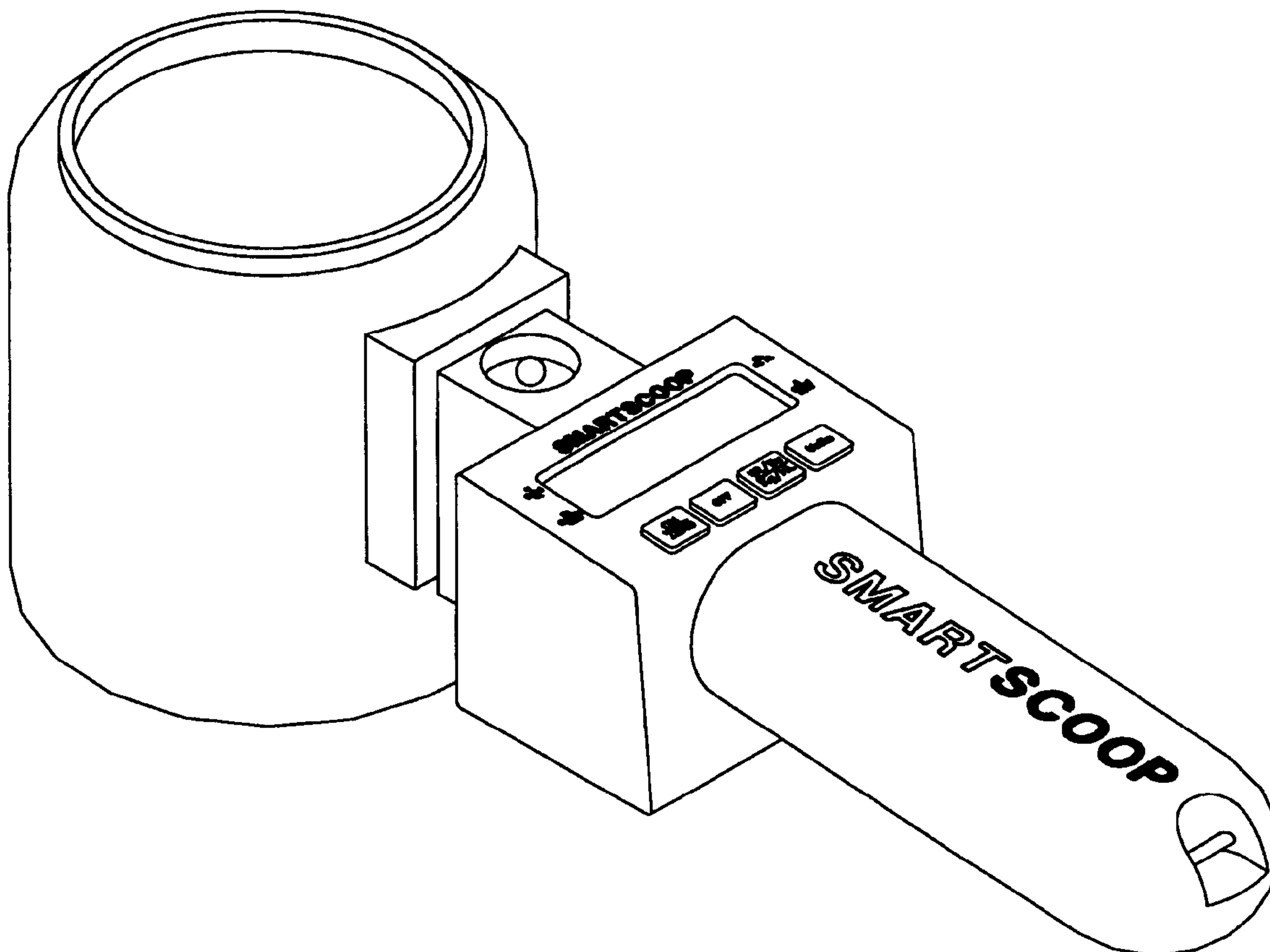


FIG 1

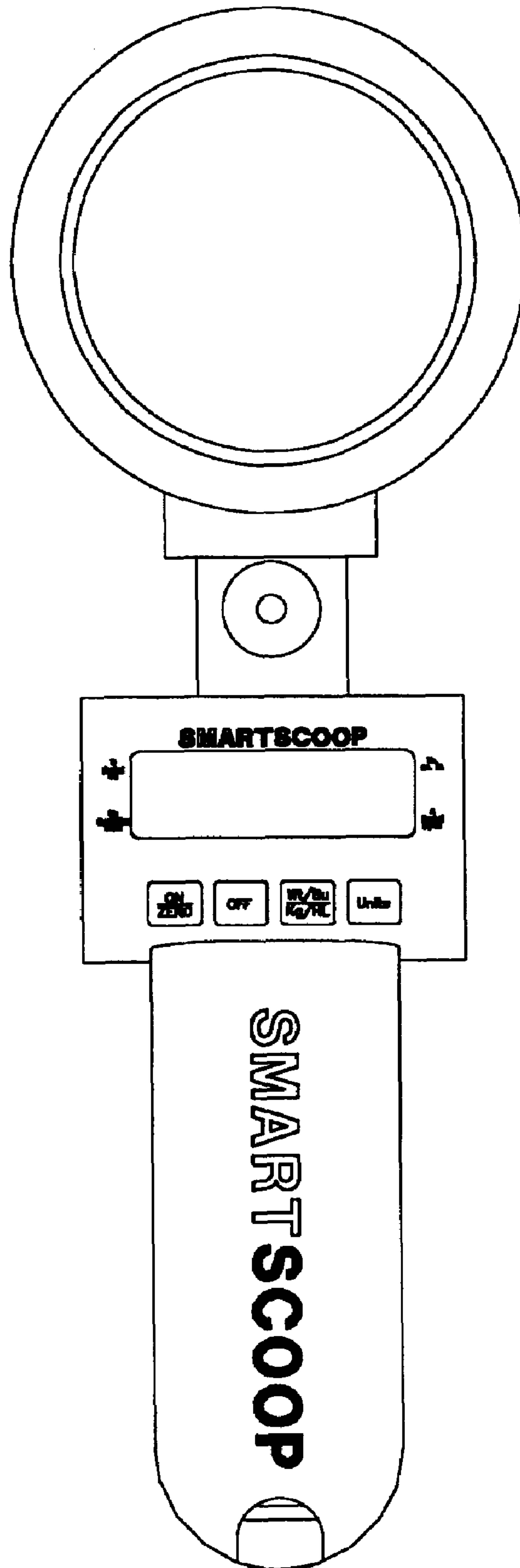


FIG 2

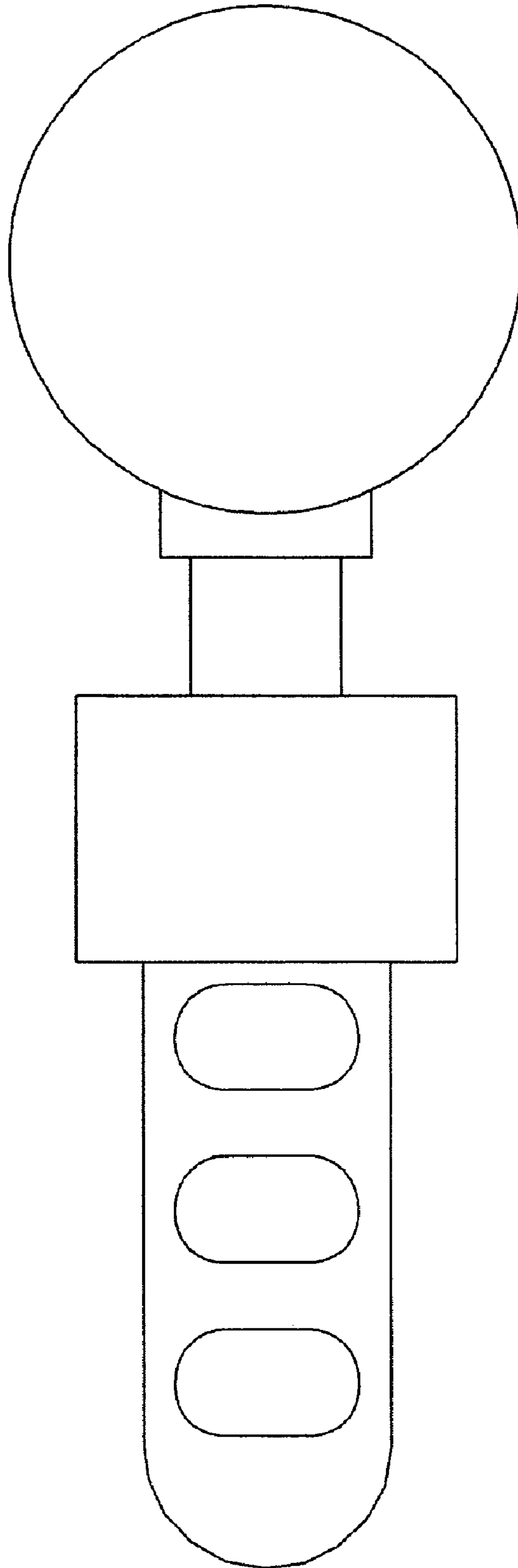


FIG 3

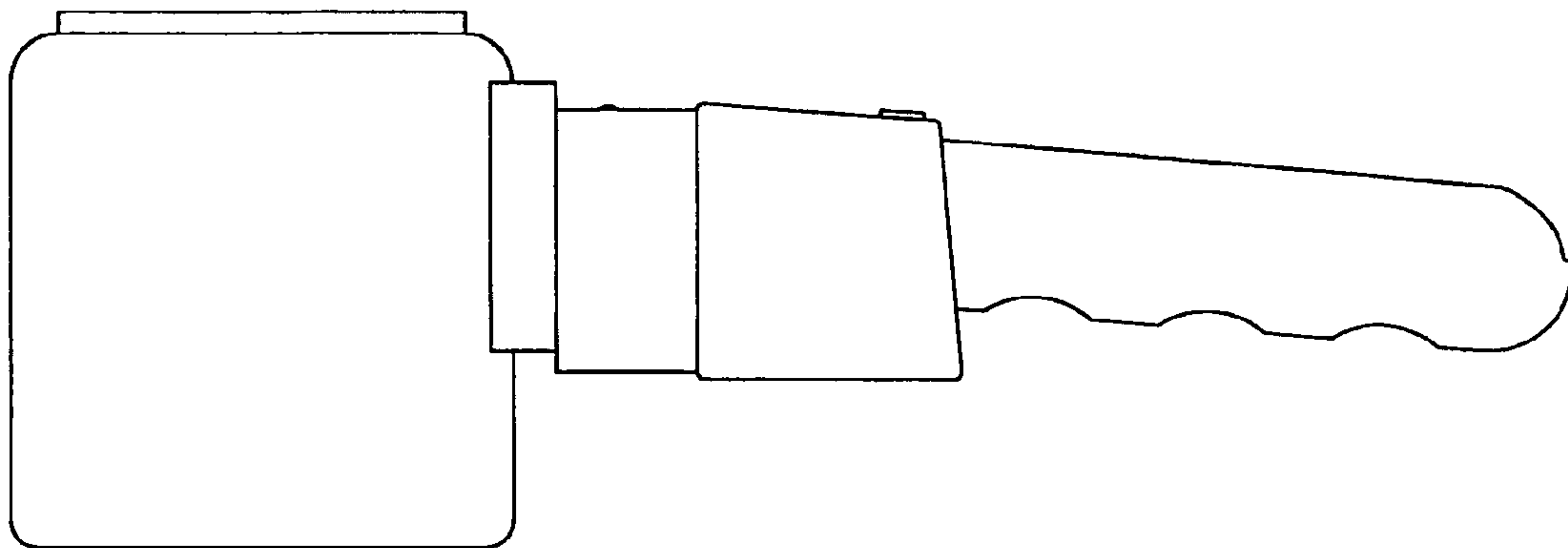


FIG 4

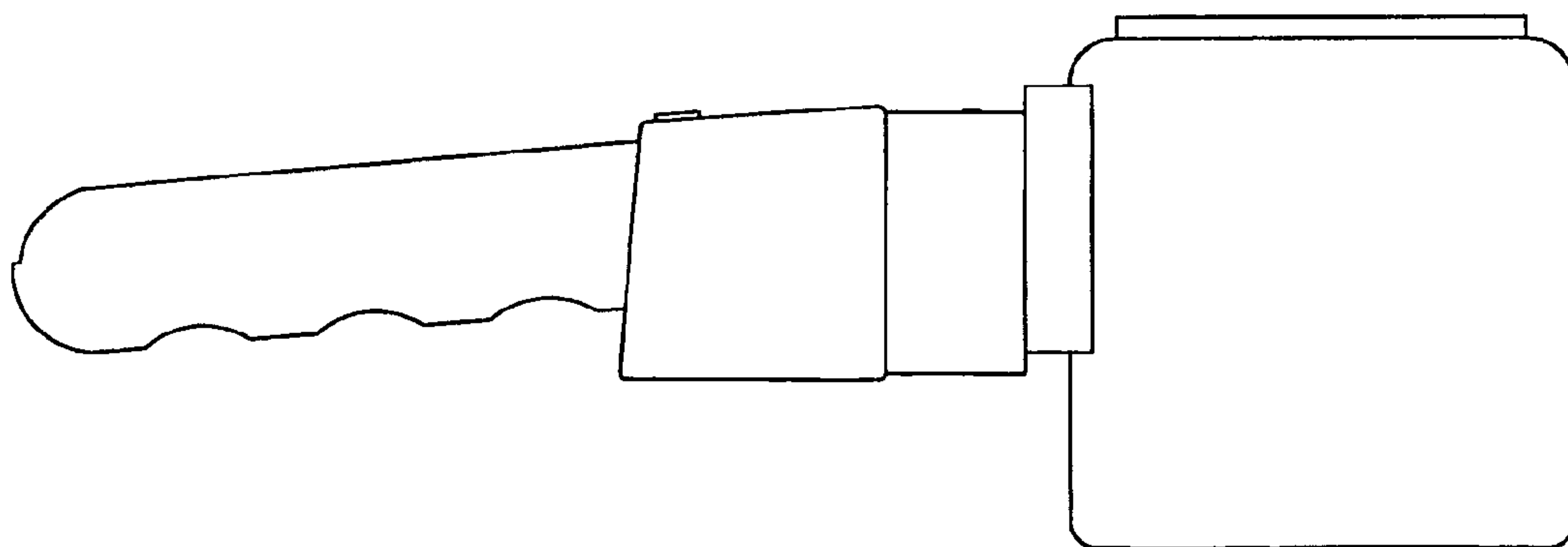


FIG 5

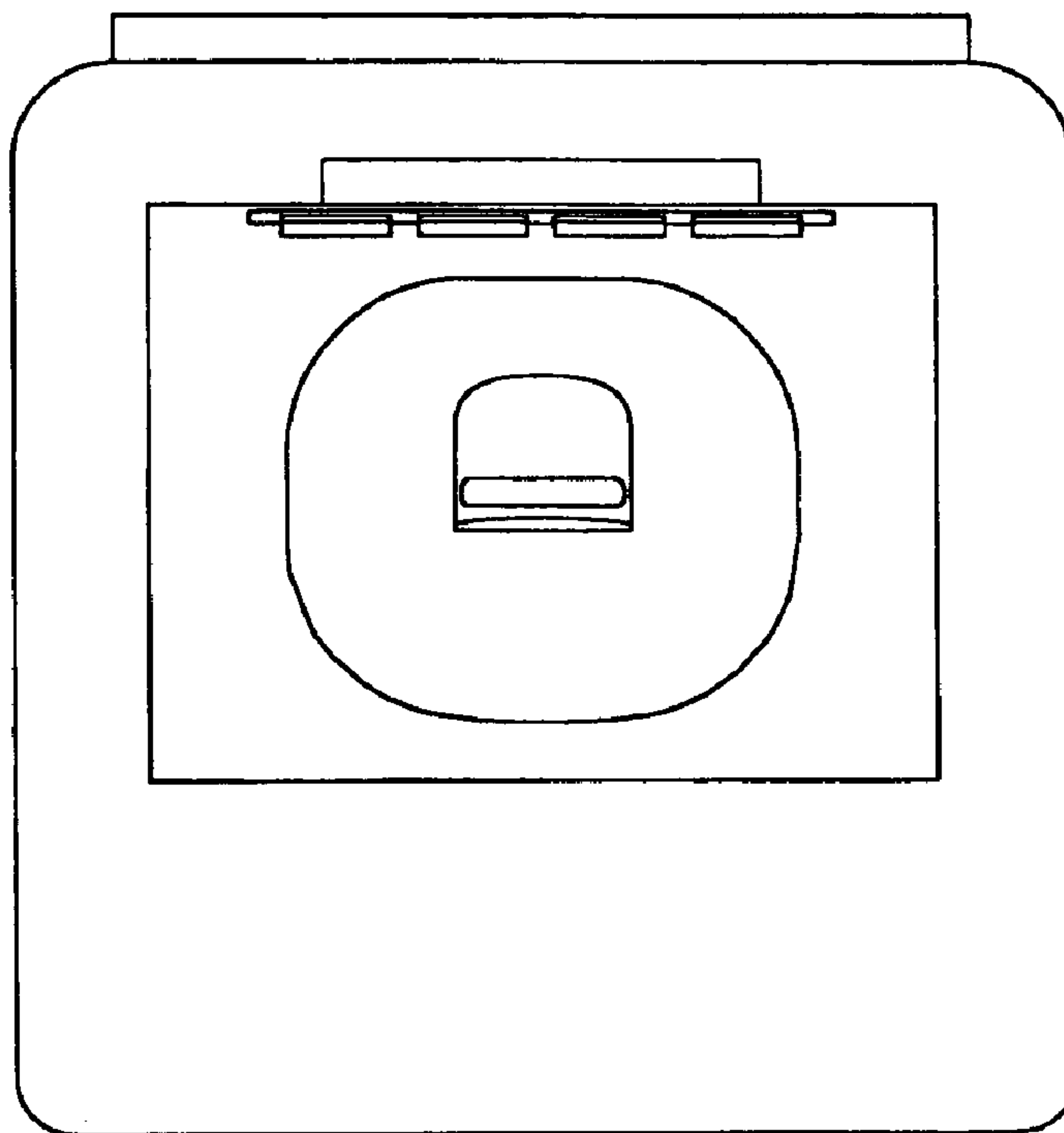


FIG 6

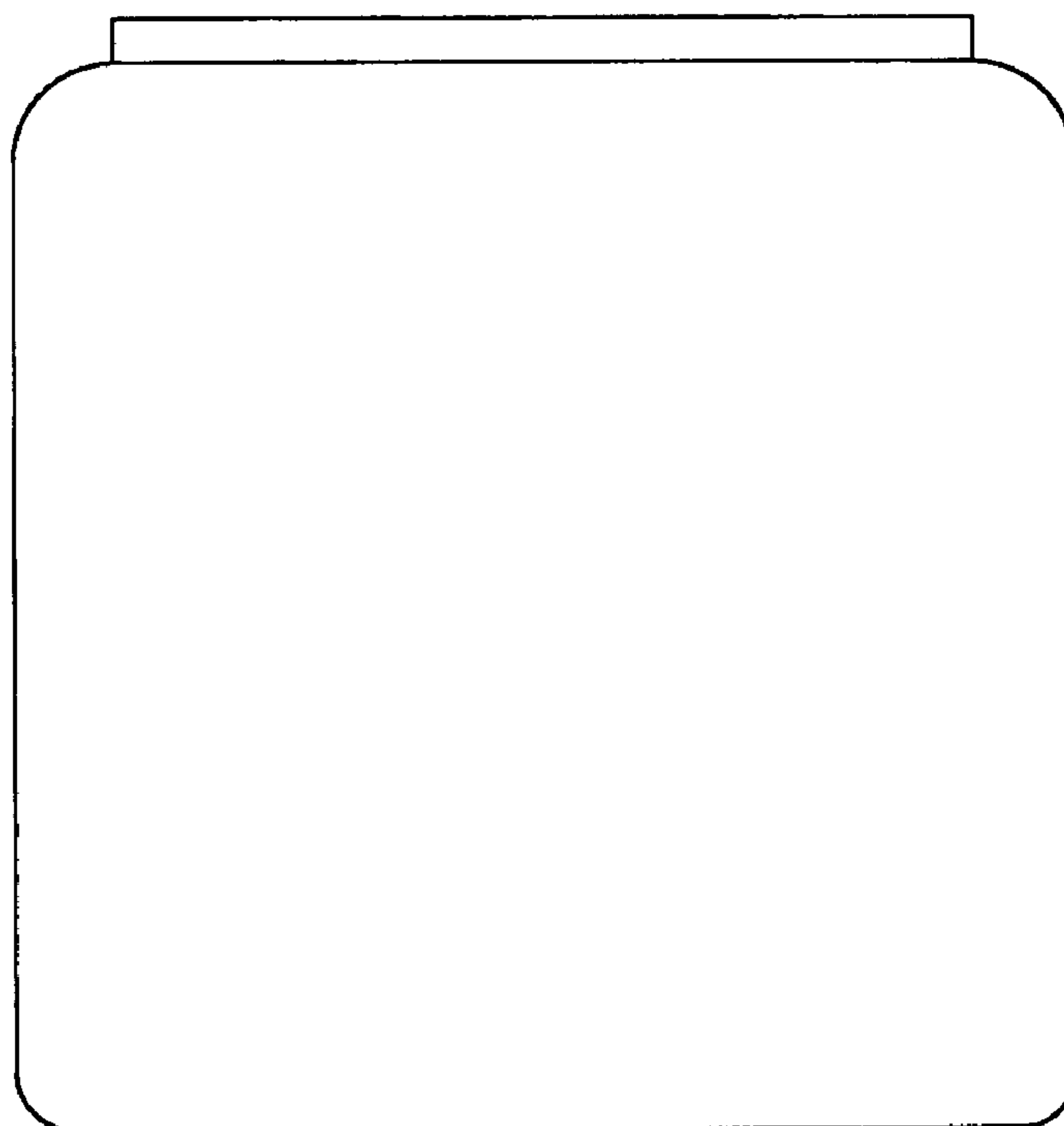


FIG 7

