

US00D565443S

(12) **United States Design Patent**
Frake et al.

(10) **Patent No.:** **US D565,443 S**

(45) **Date of Patent:** **** Apr. 1, 2008**

(54) **SENSOR ADAPTOR CIRCUIT HOUSING**

(75) Inventors: **Robert K. Frake**, Wonderlake, IL (US);
David P. Culbertson, Bristol, WI (US)

(73) Assignee: **Wallow Electric Manufacturing Company**, St. Louis, MO (US)

(**) Term: **14 Years**

(21) Appl. No.: **29/261,957**

(22) Filed: **Jun. 22, 2006**

(51) **LOC (8) Cl.** **10-04**

(52) **U.S. Cl.** **D10/78; D13/133**

(58) **Field of Classification Search** D10/46,
D10/78; D13/133, 145-147; 324/754, 755,
324/758, 765, 757; 439/86, 91
See application file for complete search history.

(56) **References Cited**

U.S. PATENT DOCUMENTS

D555,594 S *	11/2007	So	D13/133
2002/0119684 A1 *	8/2002	Gilliland et al.	439/76.1
2005/0245109 A1 *	11/2005	Torres et al.	439/76.1
2007/0059953 A1 *	3/2007	Togami et al.	439/76.1
2007/0224851 A1 *	9/2007	Togami et al.	439/76.1

* cited by examiner

Primary Examiner—Antoine D. Davis

(74) *Attorney, Agent, or Firm*—Brinks Hofer Gilson & Lione

(57) **CLAIM**

The ornamental design for a sensor adaptor circuit housing, as shown and described.

DESCRIPTION

FIG. 1 is a top perspective view of the sensor adaptor circuit housing;

FIG. 2 is a bottom perspective view thereof;

FIG. 3 is a front view thereof;

FIG. 4 is a top view thereof;

FIG. 5 is a right side view thereof;

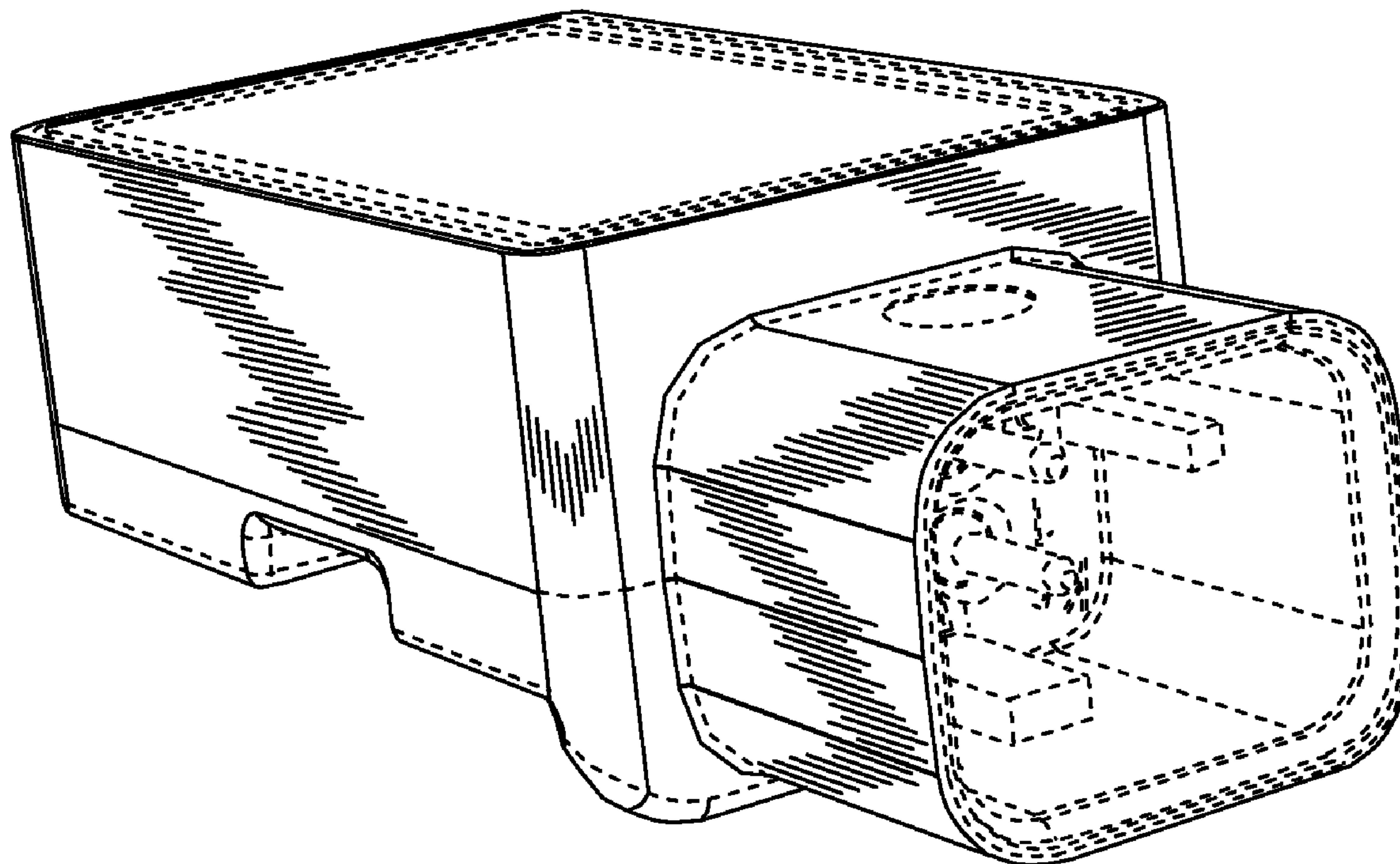
FIG. 6 is a bottom view thereof;

FIG. 7 is a rear view thereof; and,

FIG. 8 is a left side view thereof.

The broken lines are included for the purpose of illustrating environmental structure and form no part of the claimed design.

1 Claim, 8 Drawing Sheets



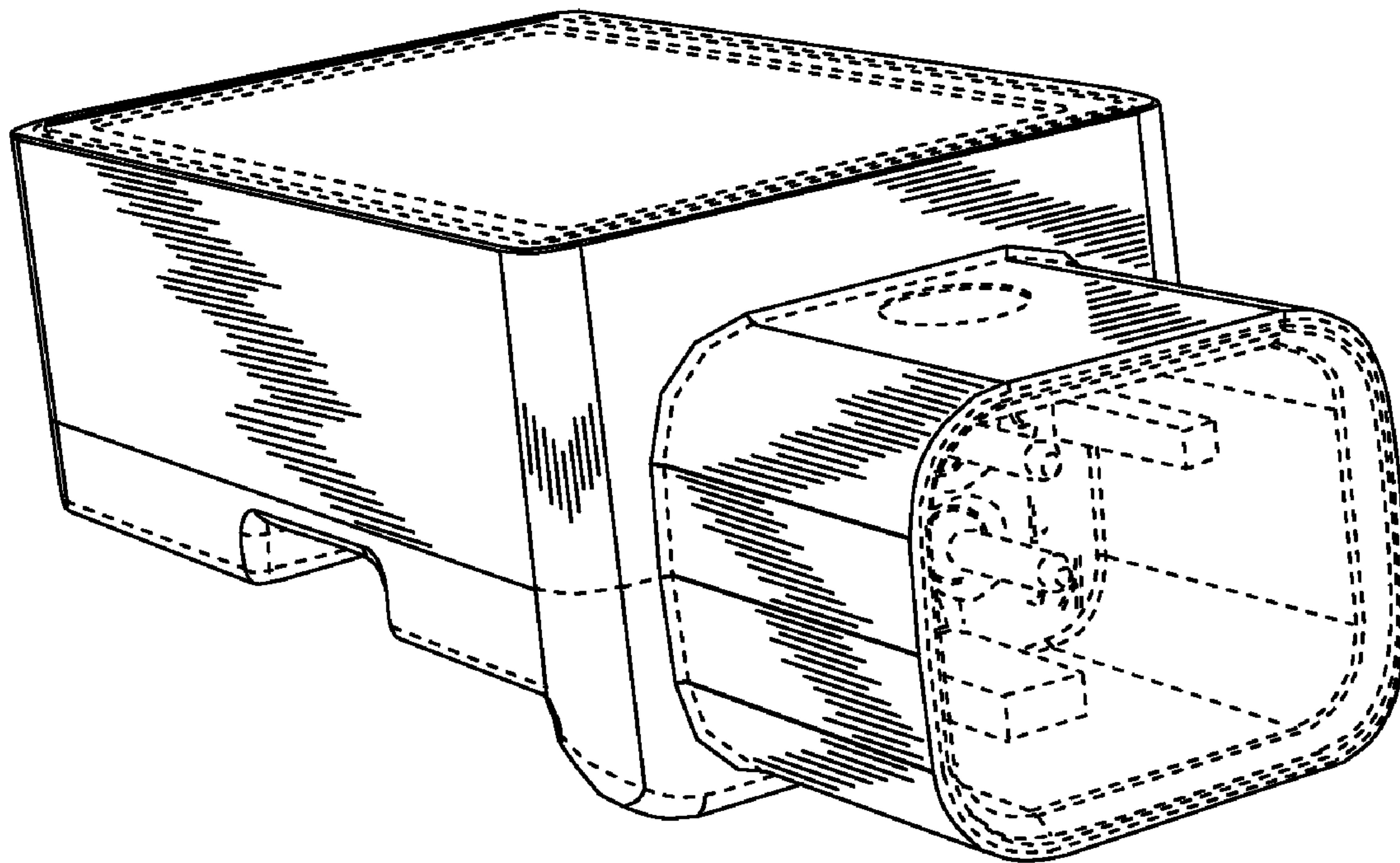


FIG. 1

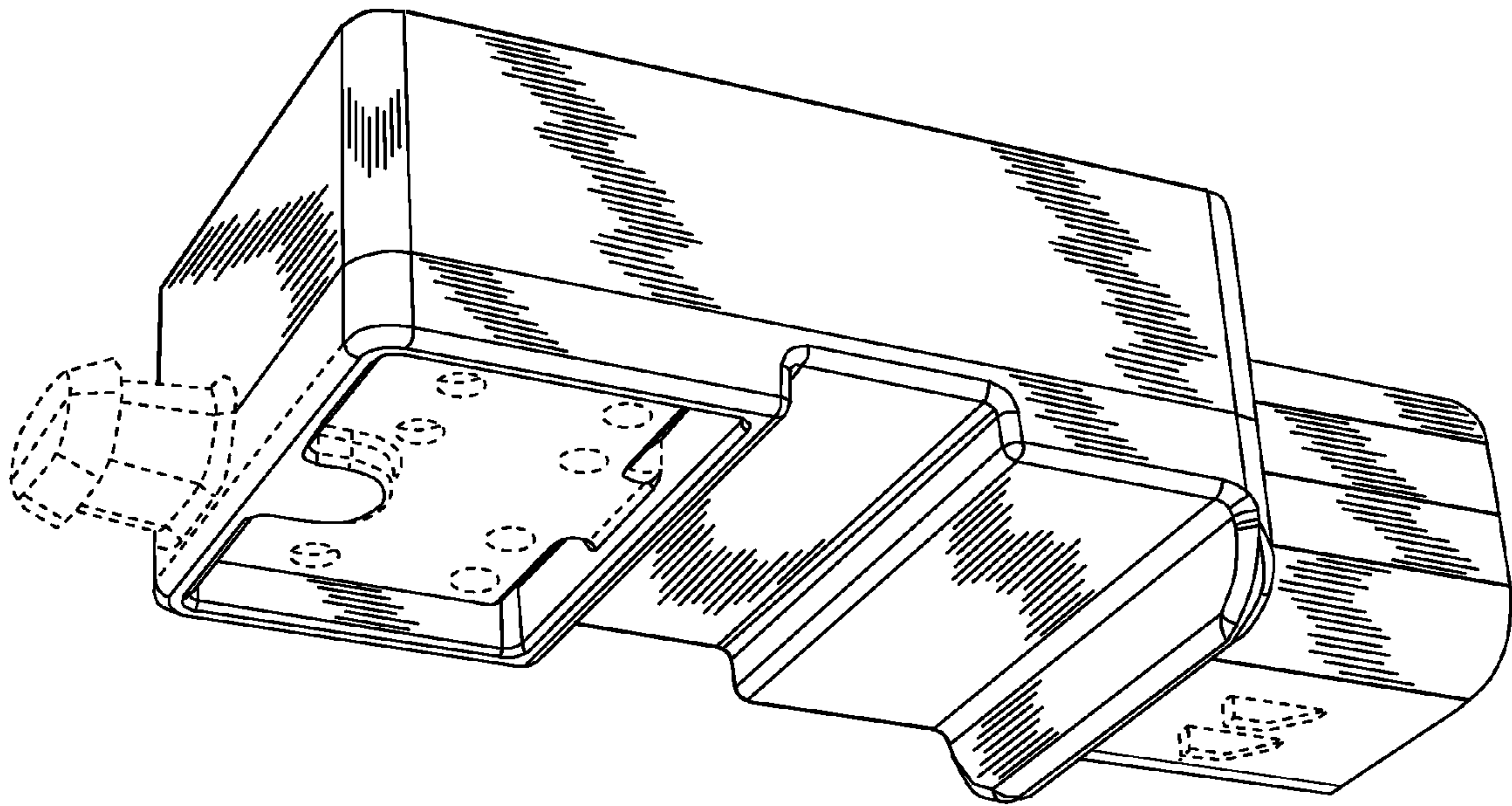


FIG. 2

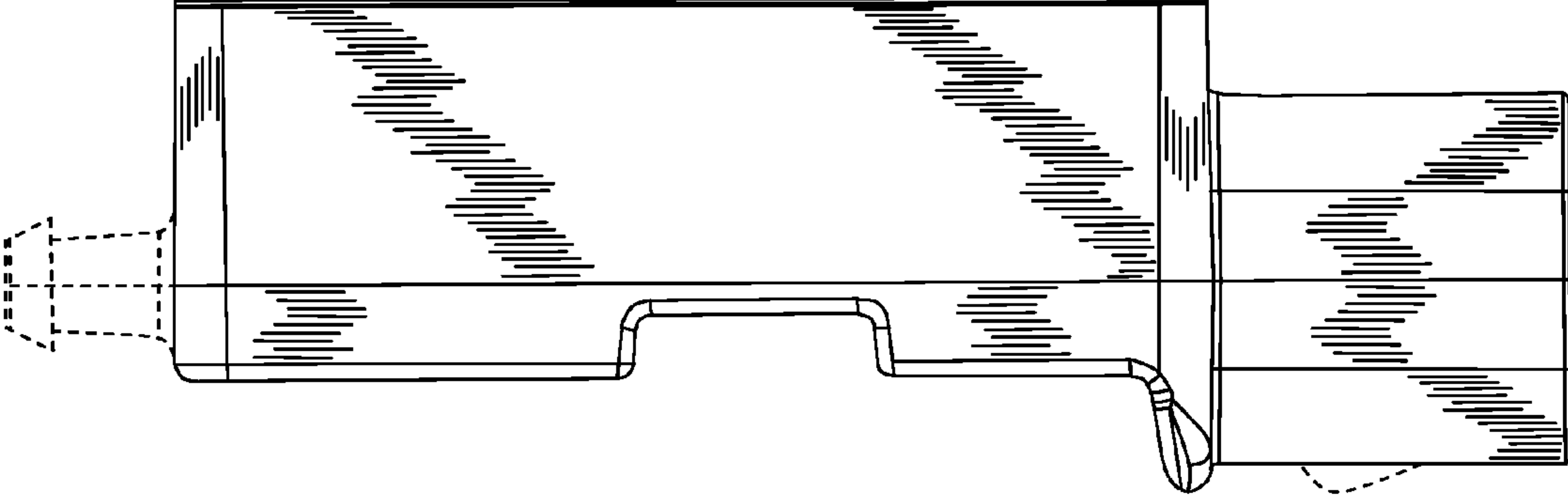


FIG. 3

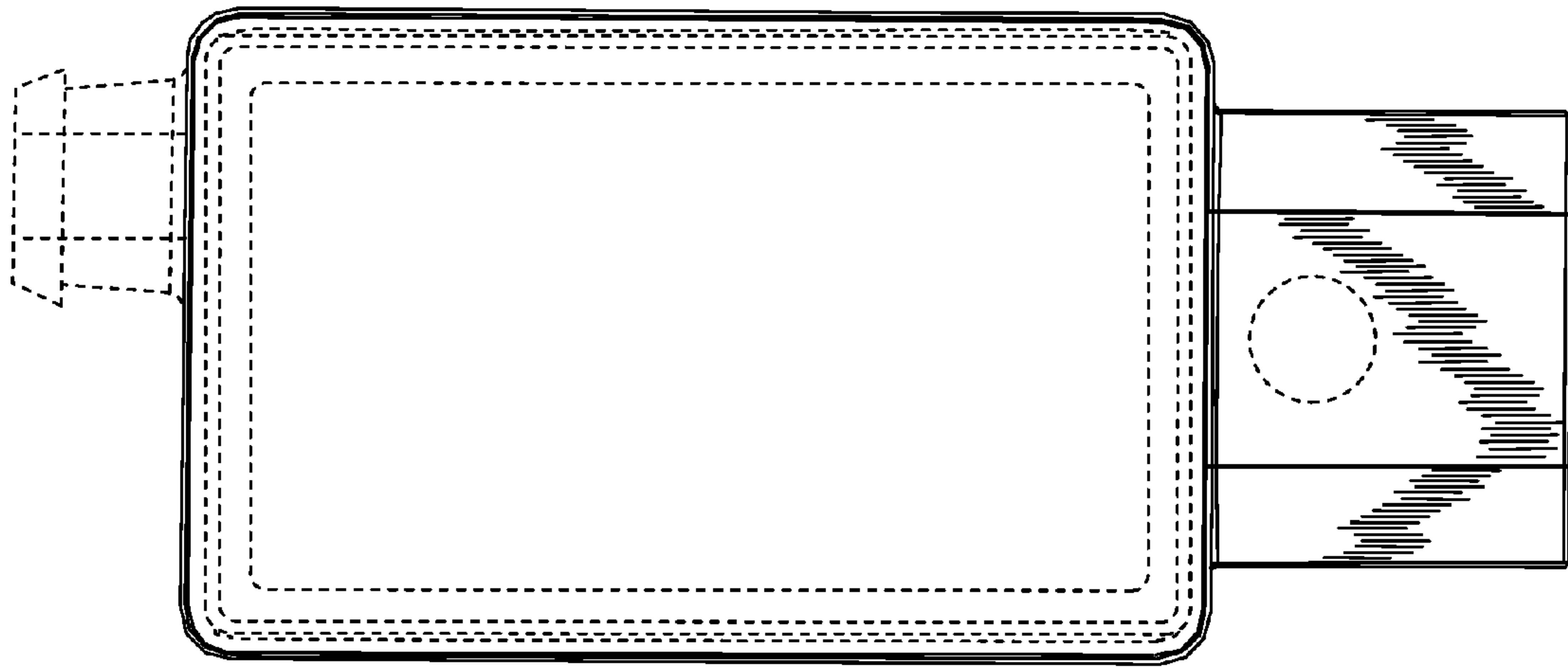


FIG. 4

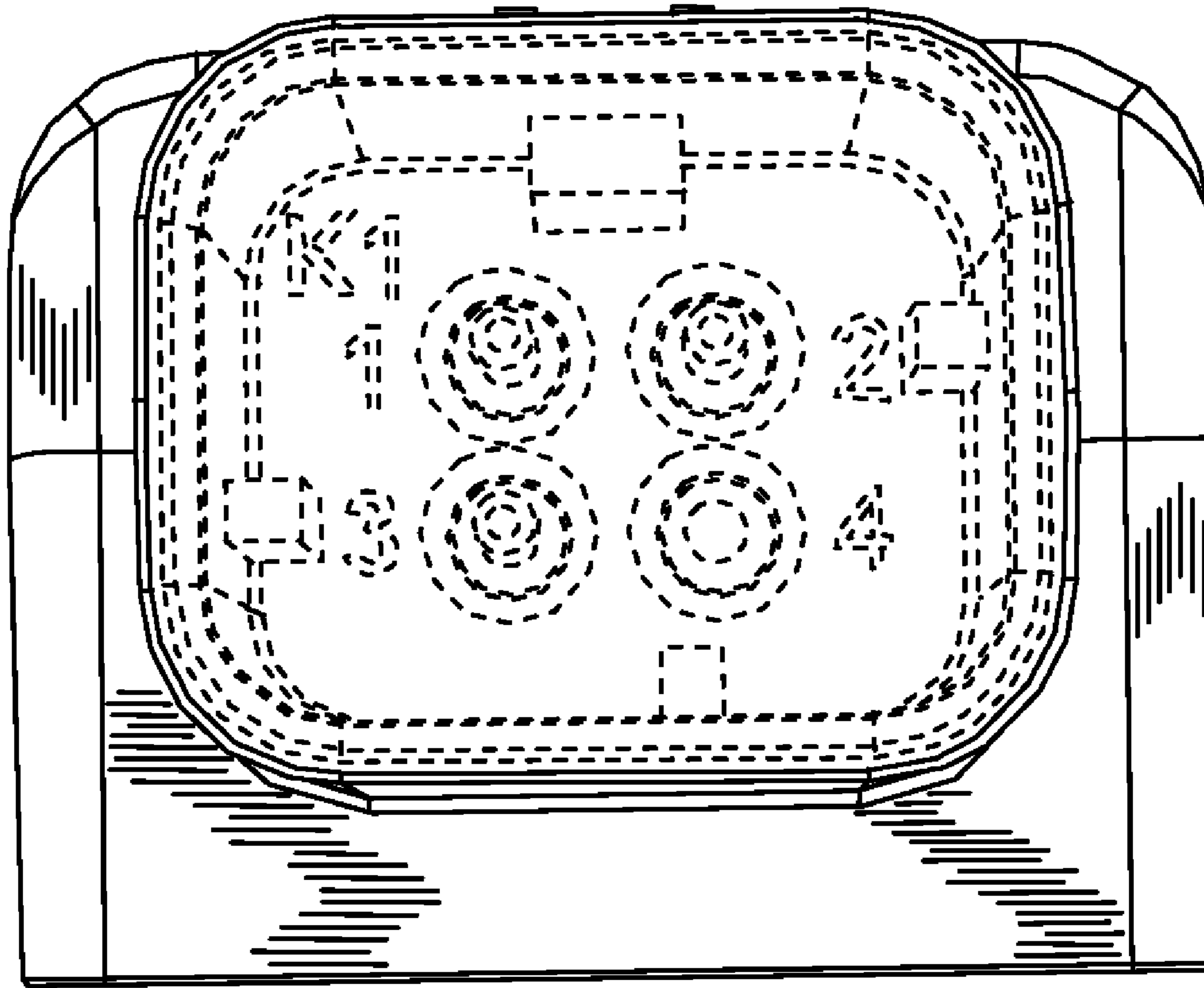


FIG. 5

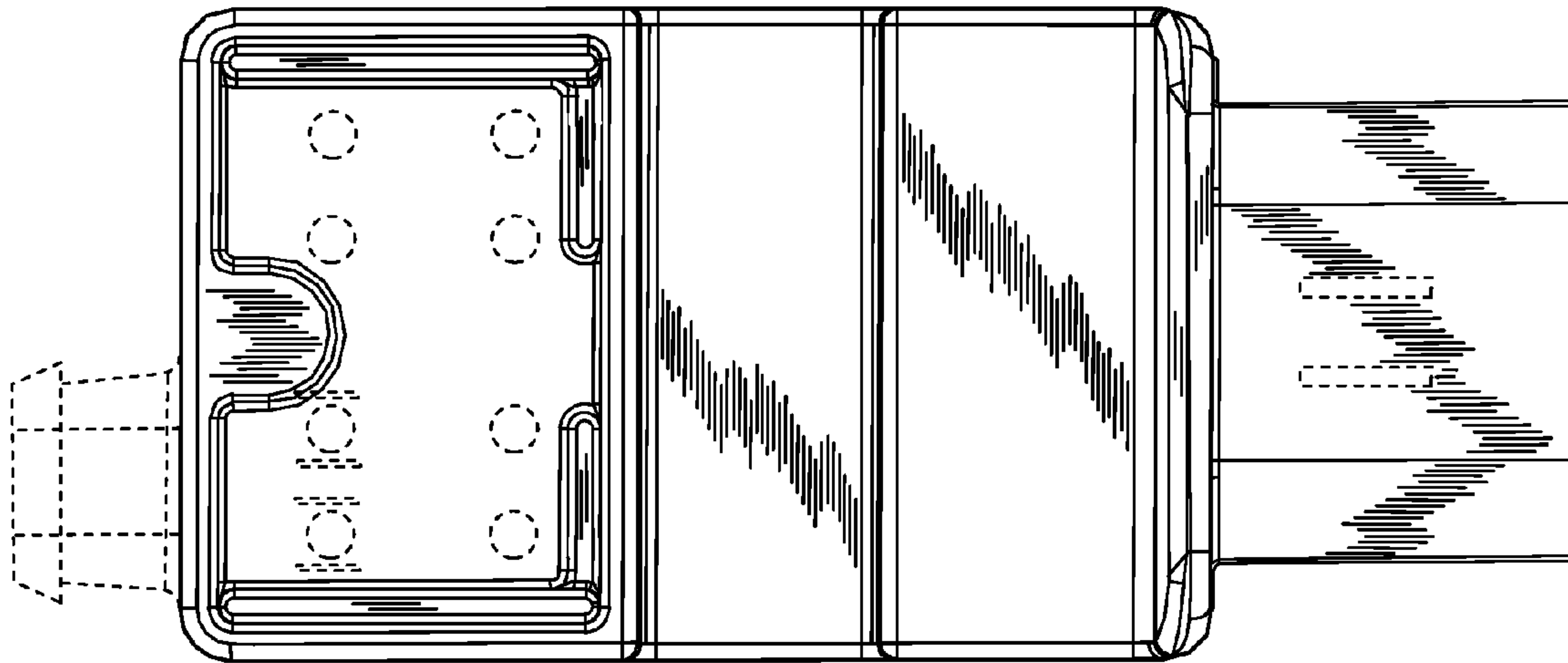


FIG. 6

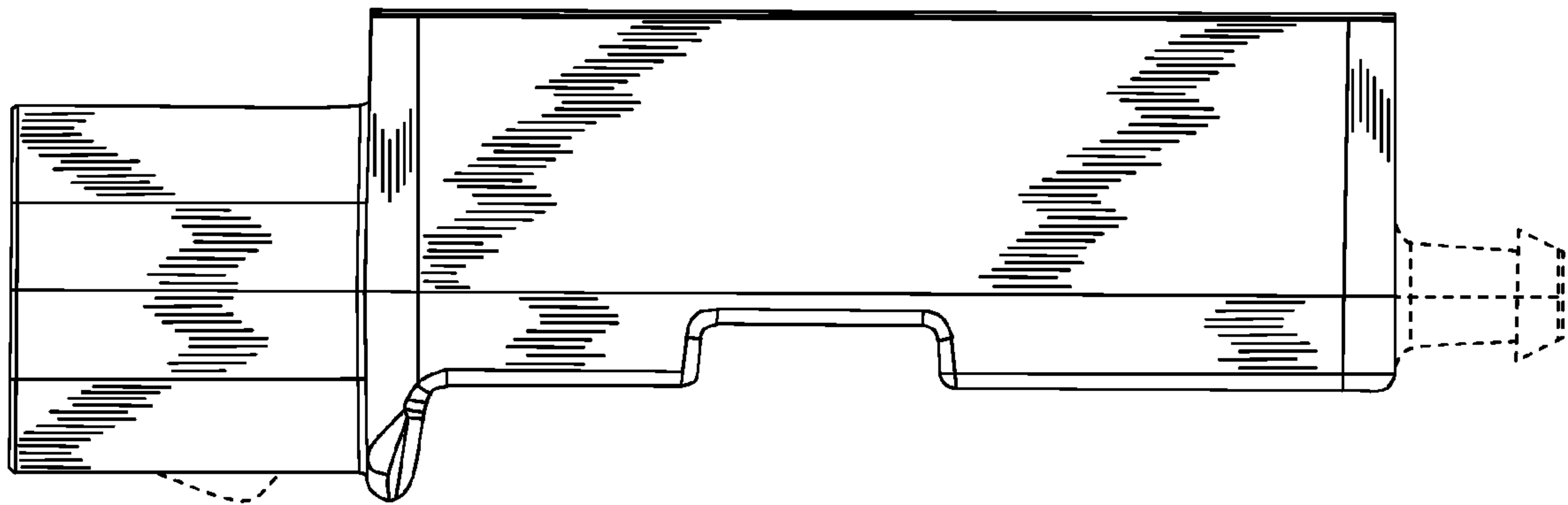


FIG. 7

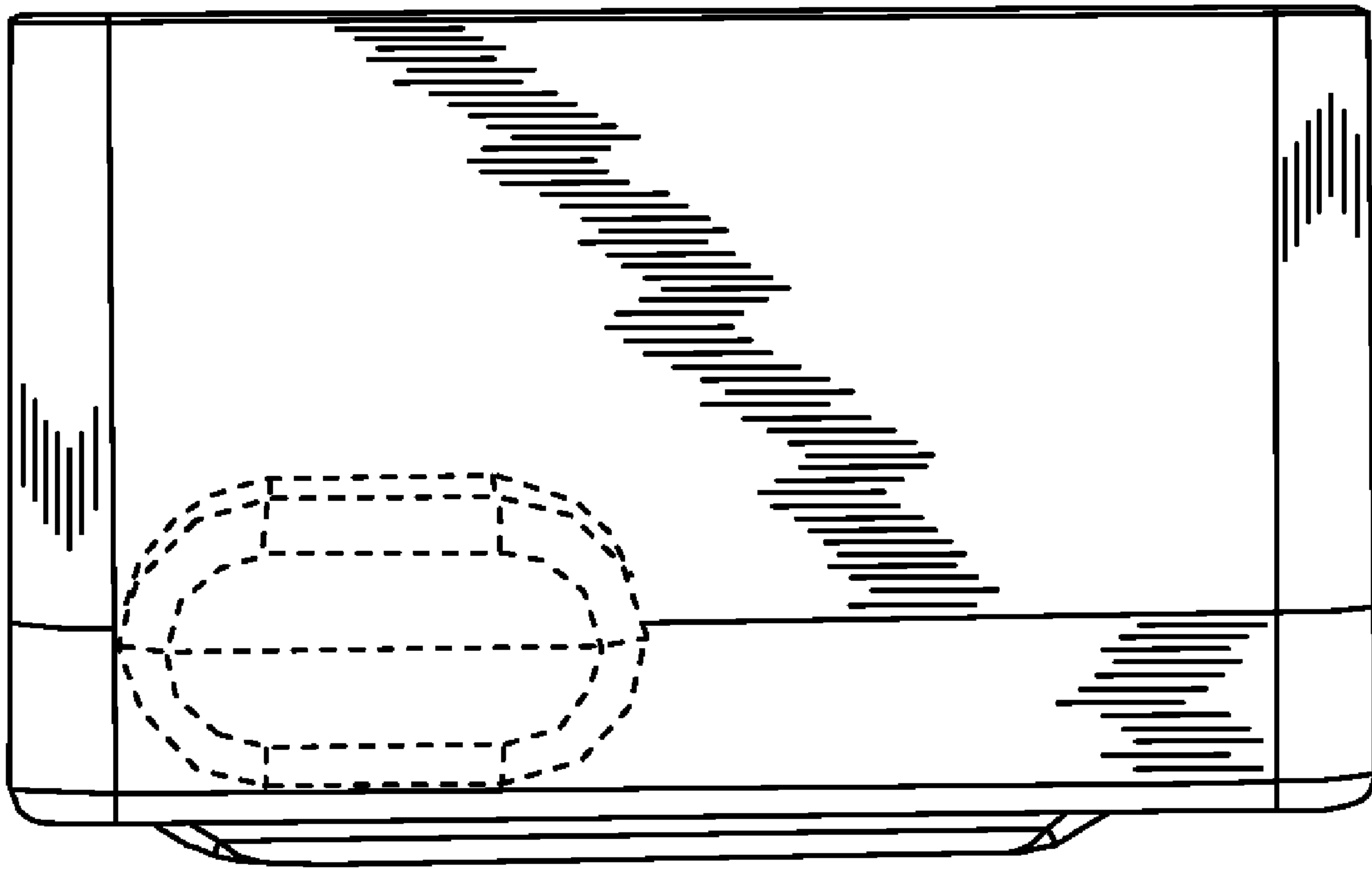


FIG. 8