

US00D565440S

(12) **United States Design Patent**  
**Neal**

(10) **Patent No.:** **US D565,440 S**

(45) **Date of Patent:** **\*\* Apr. 1, 2008**

(54) **TELESCOPIC LEVELING DEVICE**

(76) **Inventor:** **Corey M. Neal**, 6414 Middlelake Ct.,  
Katy, TX (US) 77450

(\*\*) **Term:** **14 Years**

(21) **Appl. No.:** **29/280,524**

(22) **Filed:** **May 30, 2007**

(51) **LOC (8) Cl.** ..... **10-04**

(52) **U.S. Cl.** ..... **D10/69**

(58) **Field of Classification Search** ..... D10/69;  
33/374, 365, 370, 375, 376, 377, 379, 381,  
33/341, 349, 350, 351, 353, 354, 451  
See application file for complete search history.

(56) **References Cited**

**U.S. PATENT DOCUMENTS**

|           |     |        |               |       |        |
|-----------|-----|--------|---------------|-------|--------|
| 2,551,524 | A * | 5/1951 | Bullivant     | ..... | 33/374 |
| 4,429,466 | A   | 2/1984 | Leonard       |       |        |
| D299,317  | S * | 1/1989 | Dahle         | ..... | D10/69 |
| 4,813,149 | A   | 3/1989 | Herkimer      |       |        |
| 4,863,022 | A * | 9/1989 | Czopor, Jr.   | ..... | D10/69 |
| 5,103,573 | A   | 4/1992 | Ehling et al. |       |        |

|              |      |         |                  |       |        |
|--------------|------|---------|------------------|-------|--------|
| 5,249,365    | A *  | 10/1993 | Santiago         | ..... | 33/374 |
| D399,772     | S    | 10/1998 | Sanden           |       |        |
| 6,029,362    | A    | 2/2000  | Miodragovic      |       |        |
| 6,279,240    | B1 * | 8/2001  | Bonaventura, Jr. | ..... | 33/374 |
| 6,732,445    | B1 * | 5/2004  | Scoville         | ..... | 33/371 |
| 6,925,588    | B2   | 7/2005  | Gay              |       |        |
| 7,281,335    | B2 * | 10/2007 | Feliciano        | ..... | 33/374 |
| 2003/0033722 | A1   | 2/2003  | Lanham           |       |        |
| 2006/0283030 | A1 * | 12/2006 | Lee              | ..... | 33/293 |

\* cited by examiner

*Primary Examiner*—Antoine D. Davis

(57) **CLAIM**

The ornamental design for a telescopic leveling device, as shown and described.

**DESCRIPTION**

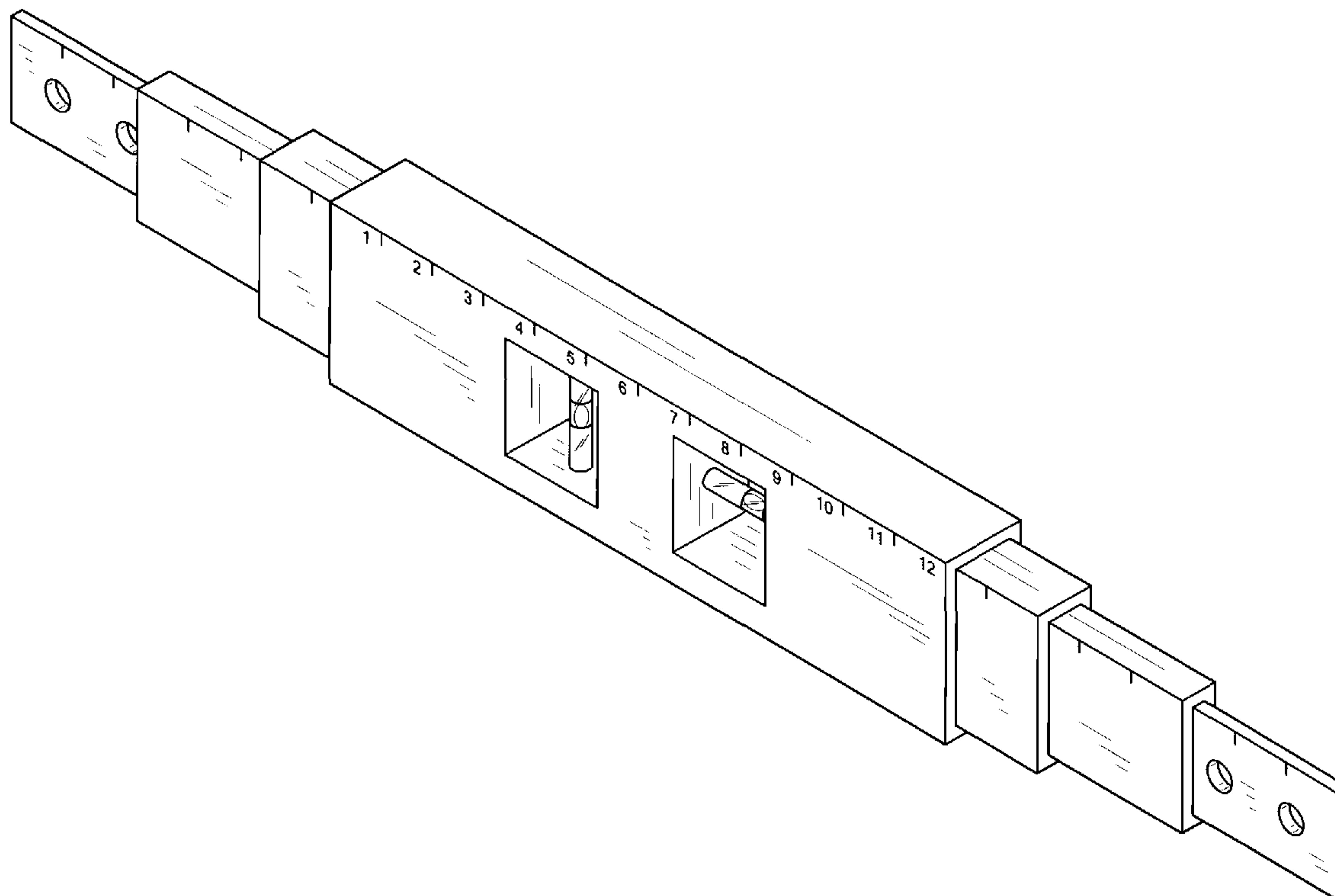
FIG. 1 is a front elevation view of a telescopic leveling device showing my new design;

FIG. 2 is a right elevation view;

FIG. 3 is a top plan view; and,

FIG. 4 is an isometric view of a telescopic leveling device.

**1 Claim, 2 Drawing Sheets**



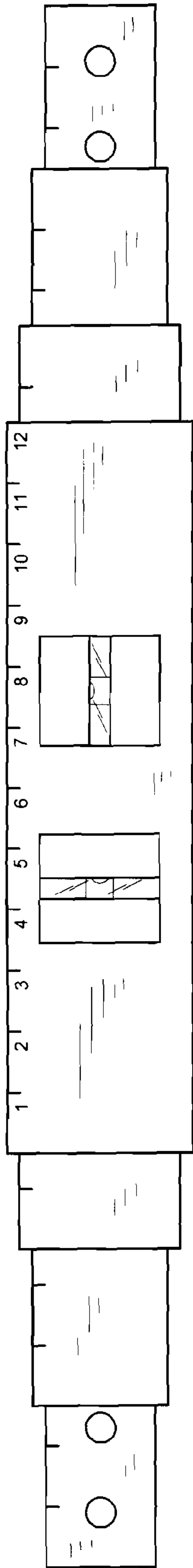


FIG. 1

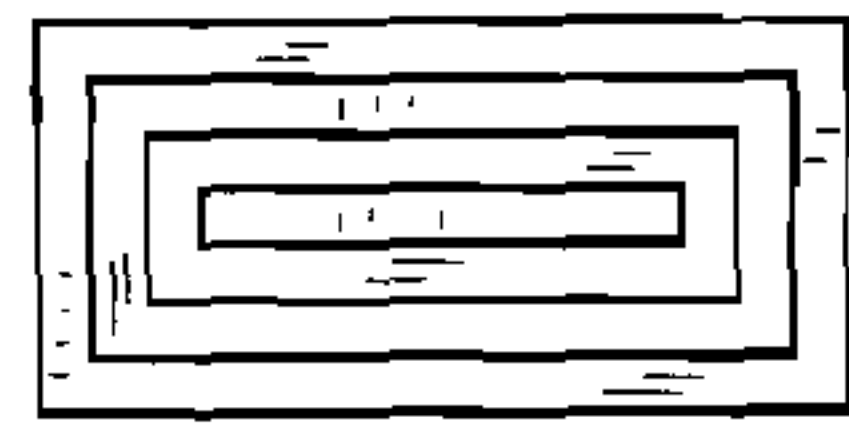


FIG. 2

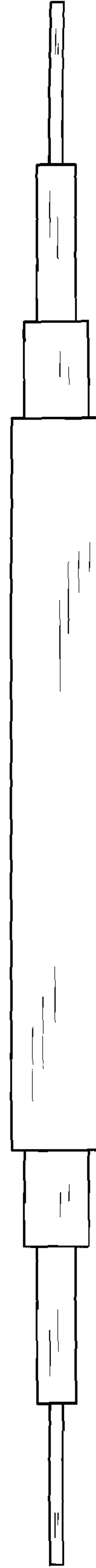


FIG. 3

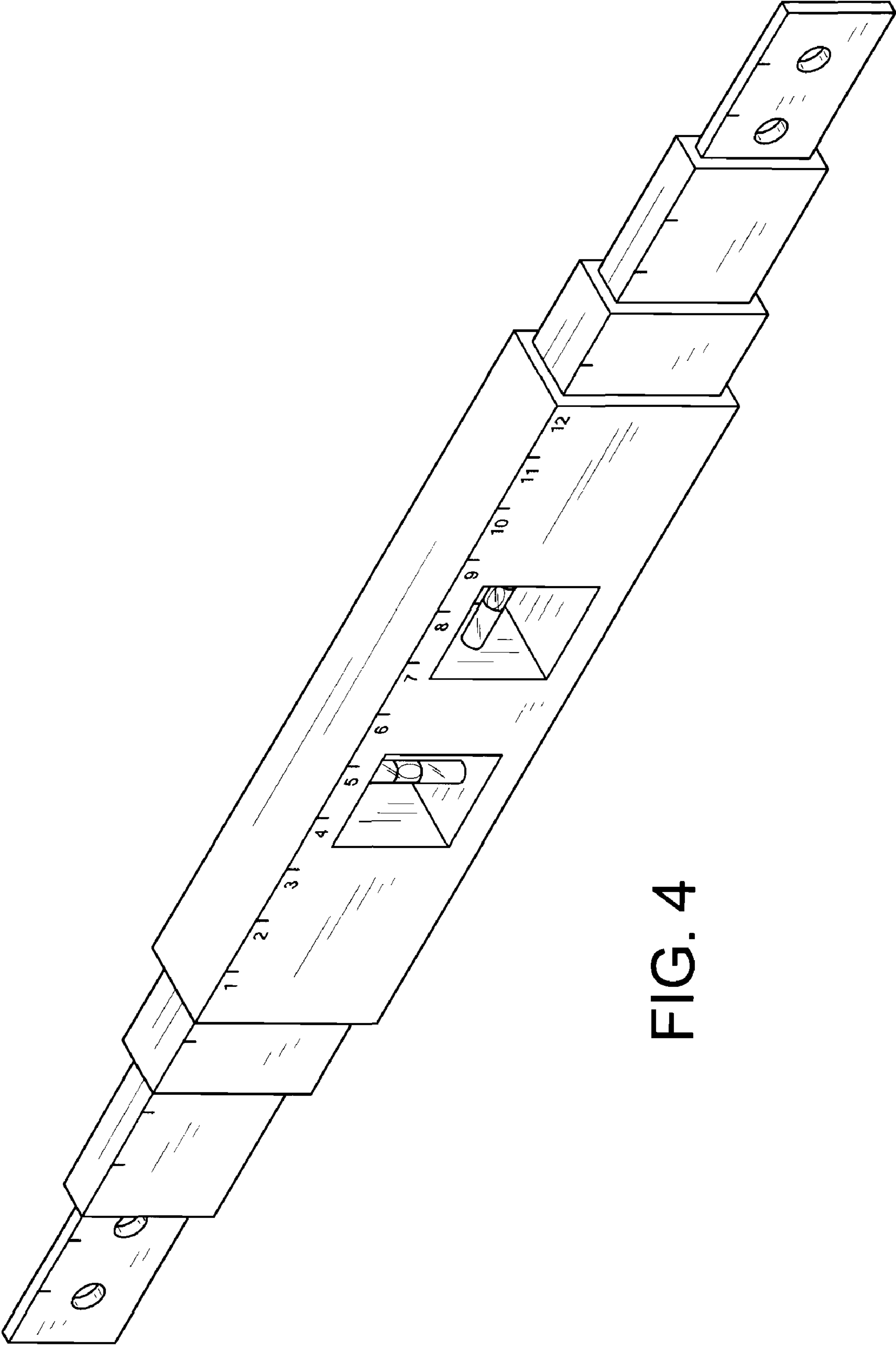


FIG. 4