



US00D565439S

(12) **United States Design Patent**
Tribelhorn

(10) **Patent No.:** **US D565,439 S**

(45) **Date of Patent:** **** Apr. 1, 2008**

(54) **SPRINKLER HEAD LEVELING AND ADJUSTMENT DEVICE**

(74) *Attorney, Agent, or Firm*—Paul M. Thompson; Cochran Freund & Young LLC

(76) **Inventor:** **Erik W. Tribelhorn**, 34251 County Road E., Yuma, CO (US) 80759

(57) **CLAIM**

(**) **Term:** **14 Years**

The ornamental design for a sprinkler head leveling and adjustment device, as shown and described.

(21) **Appl. No.:** **29/250,063**

DESCRIPTION

(22) **Filed:** **Oct. 31, 2006**

(51) **LOC (8) Cl.** **10-04**

FIG. 1 is an isometric view of a sprinkler head adjustment and leveling device showing my new design.

(52) **U.S. Cl.** **D10/69**

FIG. 2 is a front elevation view thereof.

(58) **Field of Classification Search** D10/69;

FIG. 3 is a top plan view thereof.

33/366.11–366.27, 367–369, 365, 379–390

FIG. 4 is a left side elevation view thereof.

See application file for complete search history.

FIG. 5 is a right side elevation view thereof.

(56) **References Cited**

FIG. 6 is a rear elevation view thereof; and,

U.S. PATENT DOCUMENTS

FIG. 7 is a bottom plan view thereof.

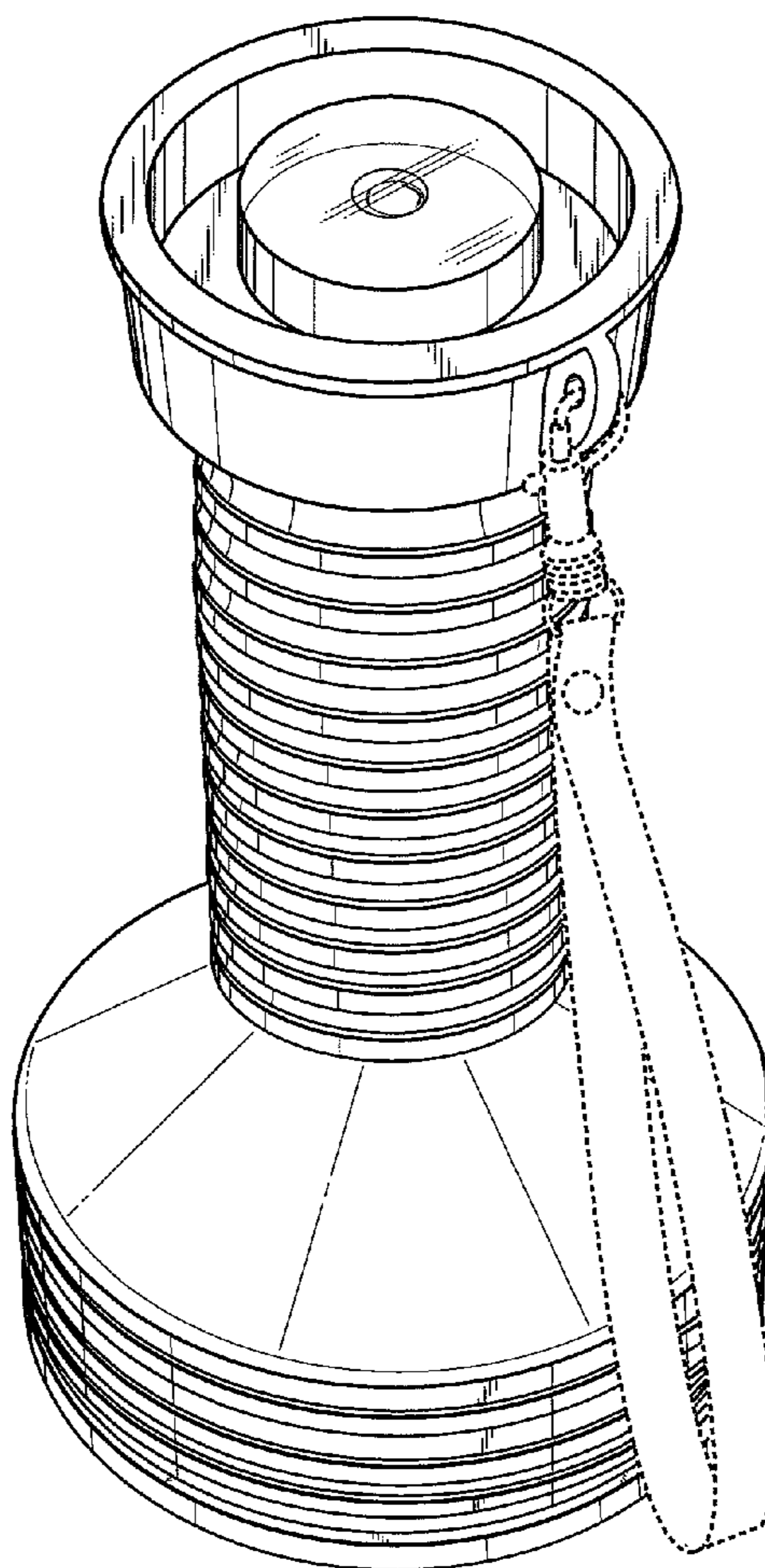
6,138,368 A * 10/2000 Dzierzbicki 33/371

The broken lines shown in the drawings depict environment, and form no part of the claimed design.

* cited by examiner

Primary Examiner—Antoine D. Davis

1 Claim, 7 Drawing Sheets



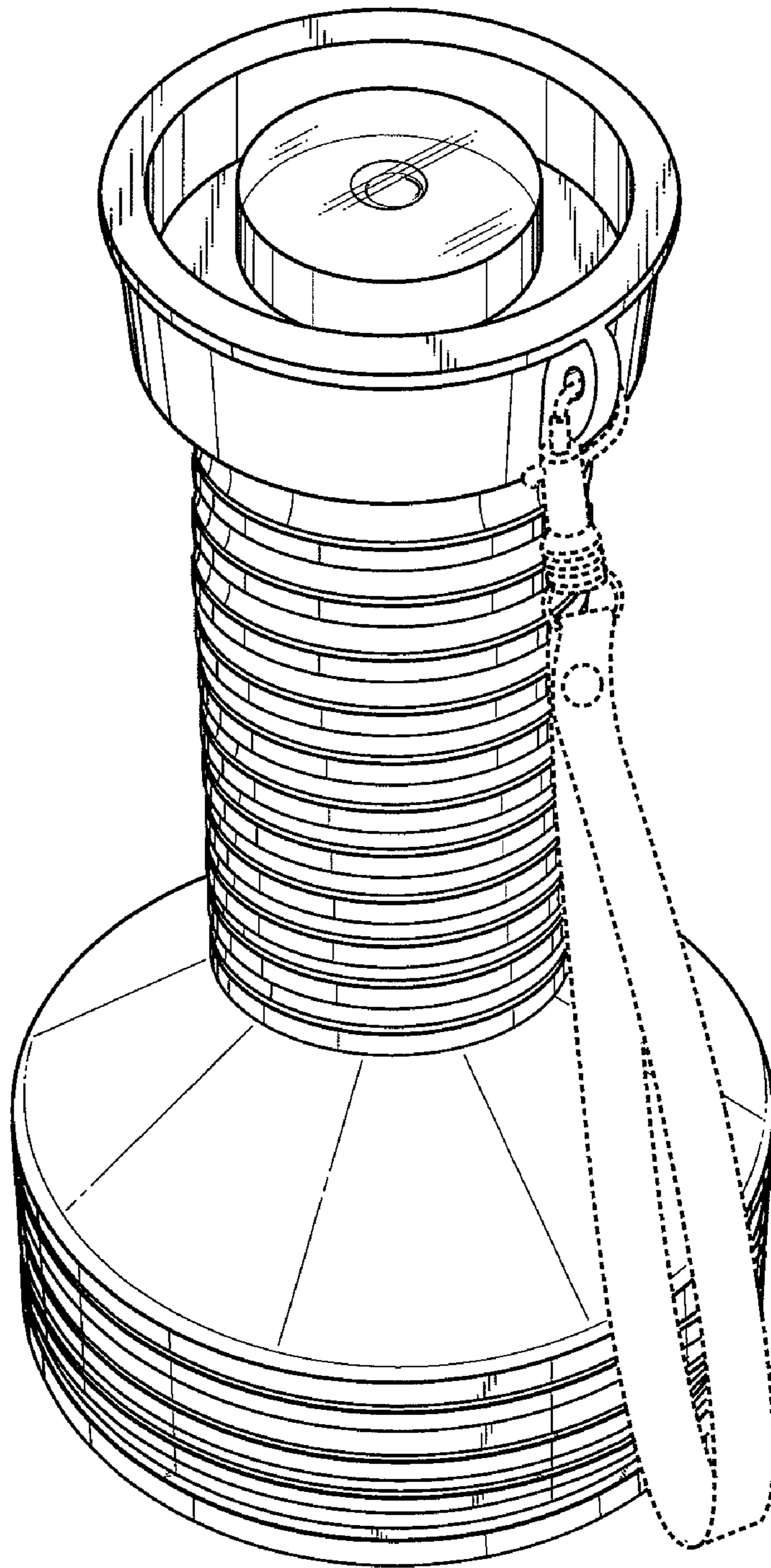


FIGURE 1

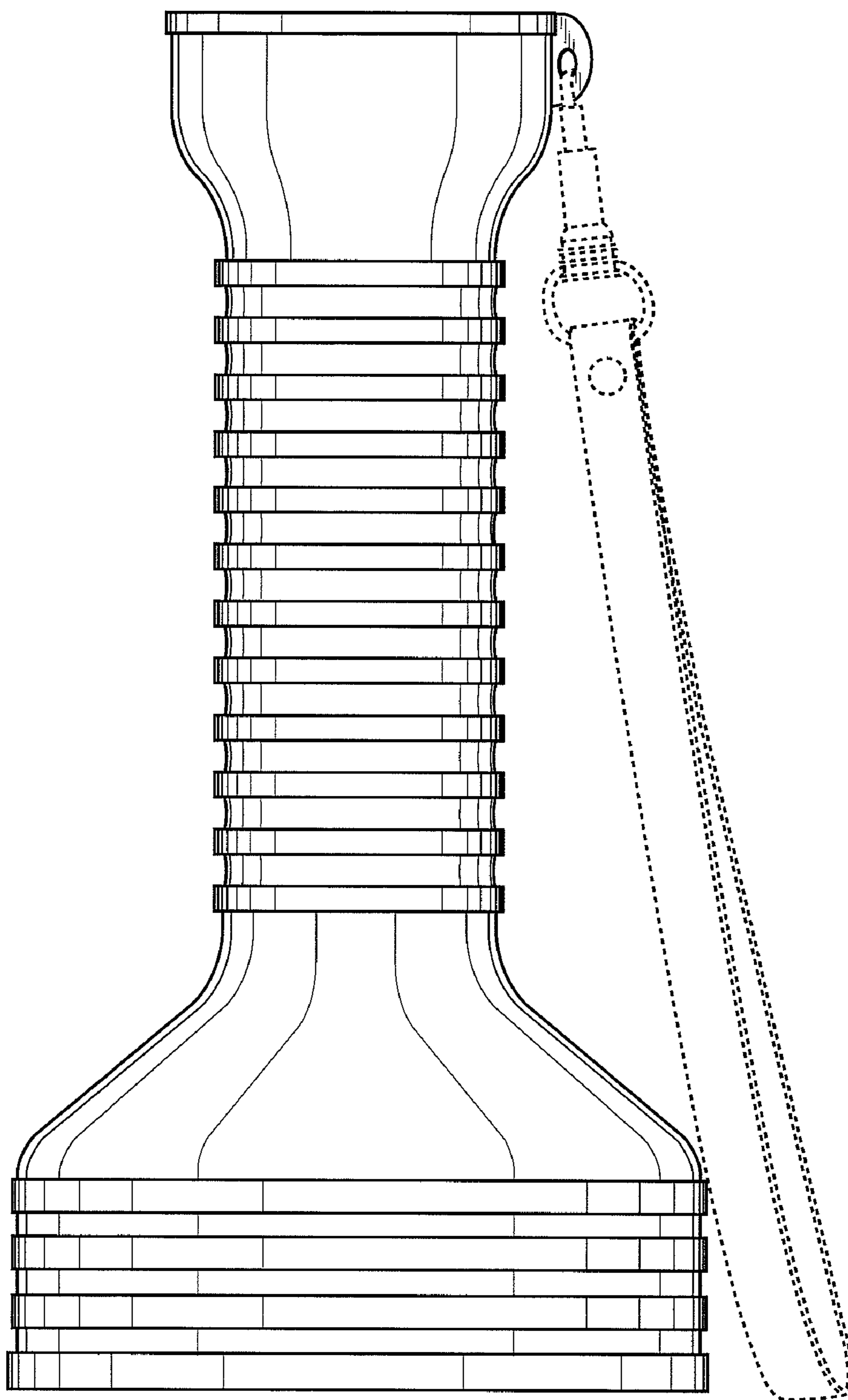


FIGURE 2

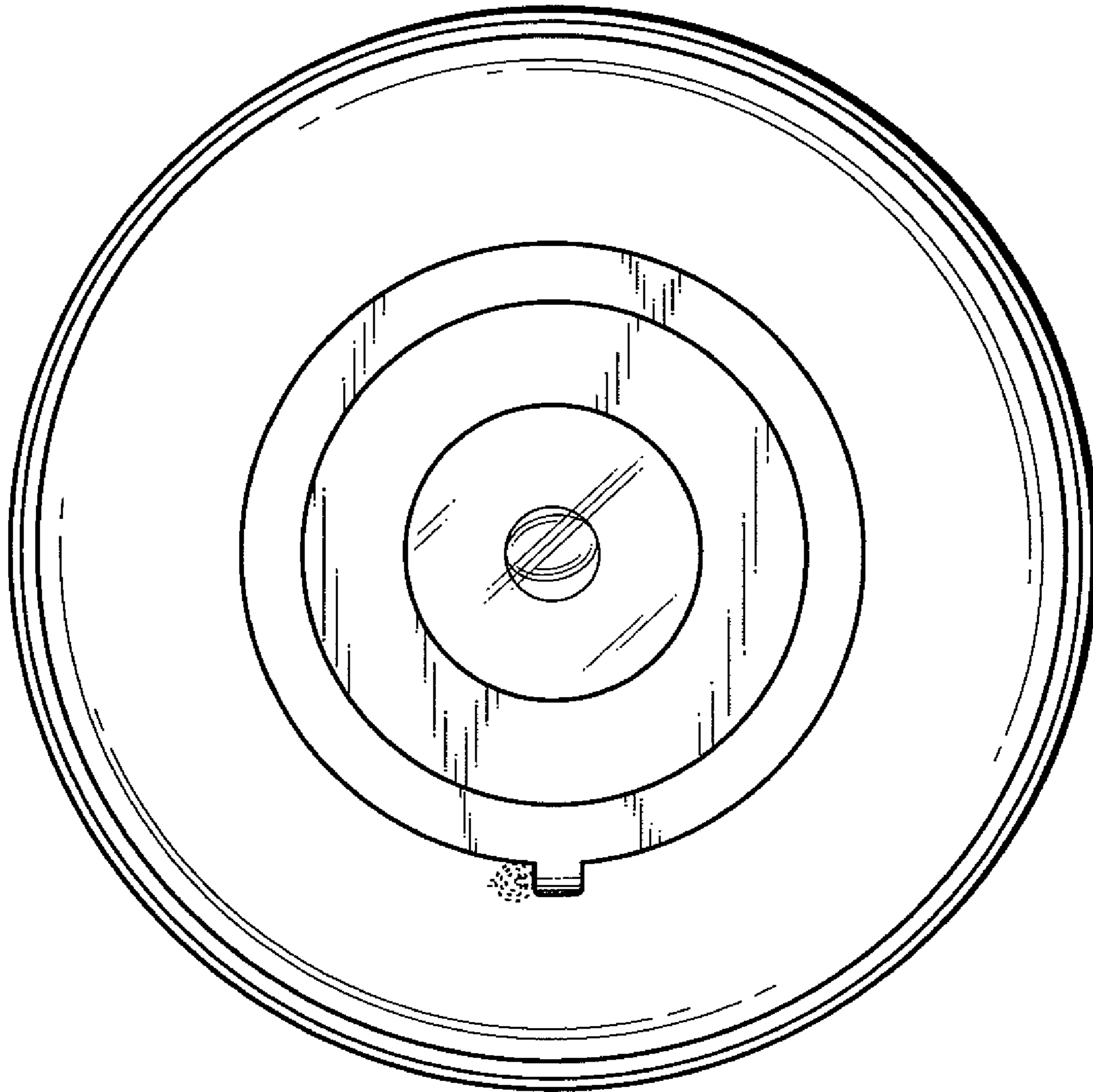


FIGURE 3

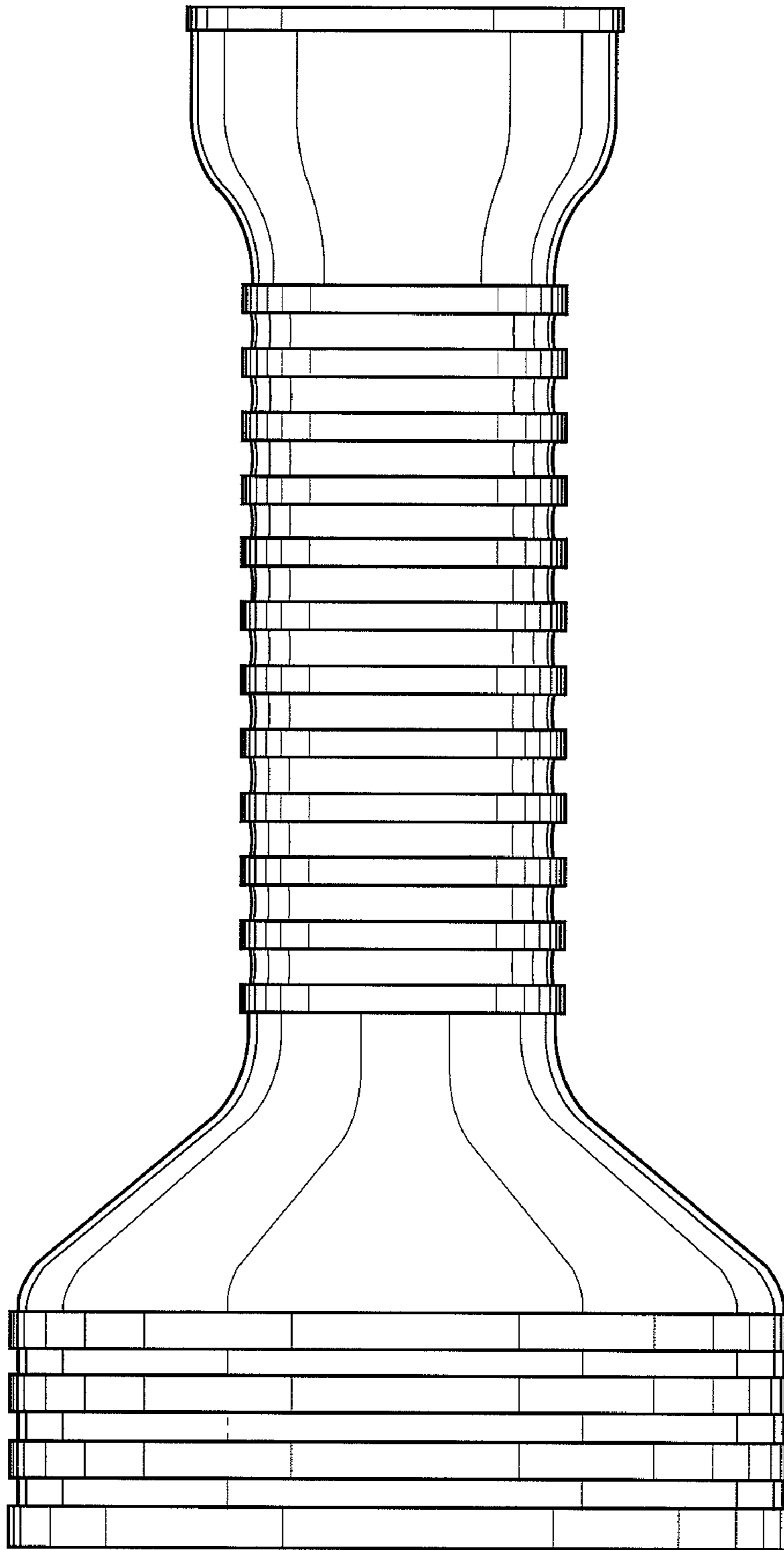


FIGURE 4

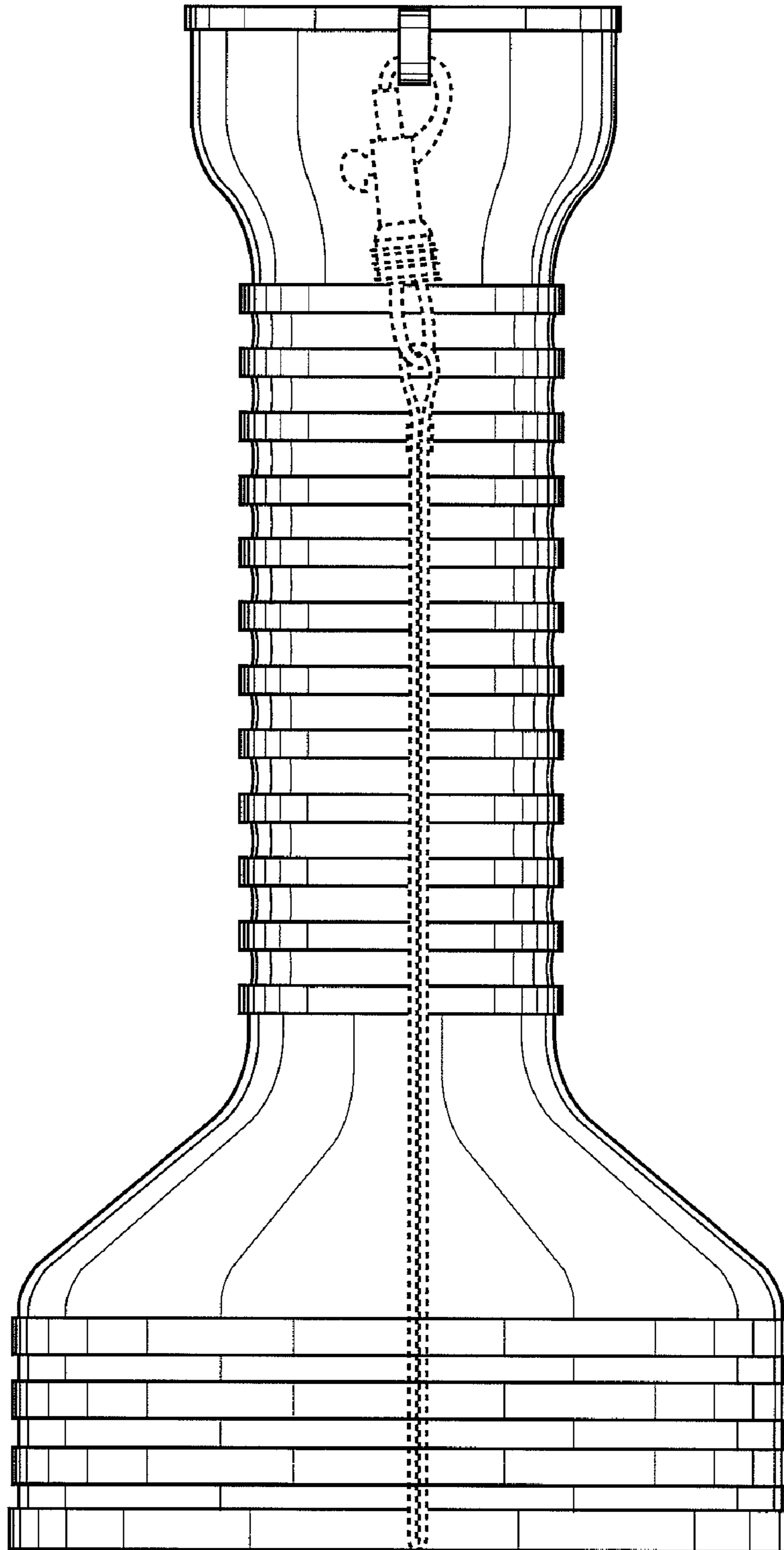


FIGURE 5

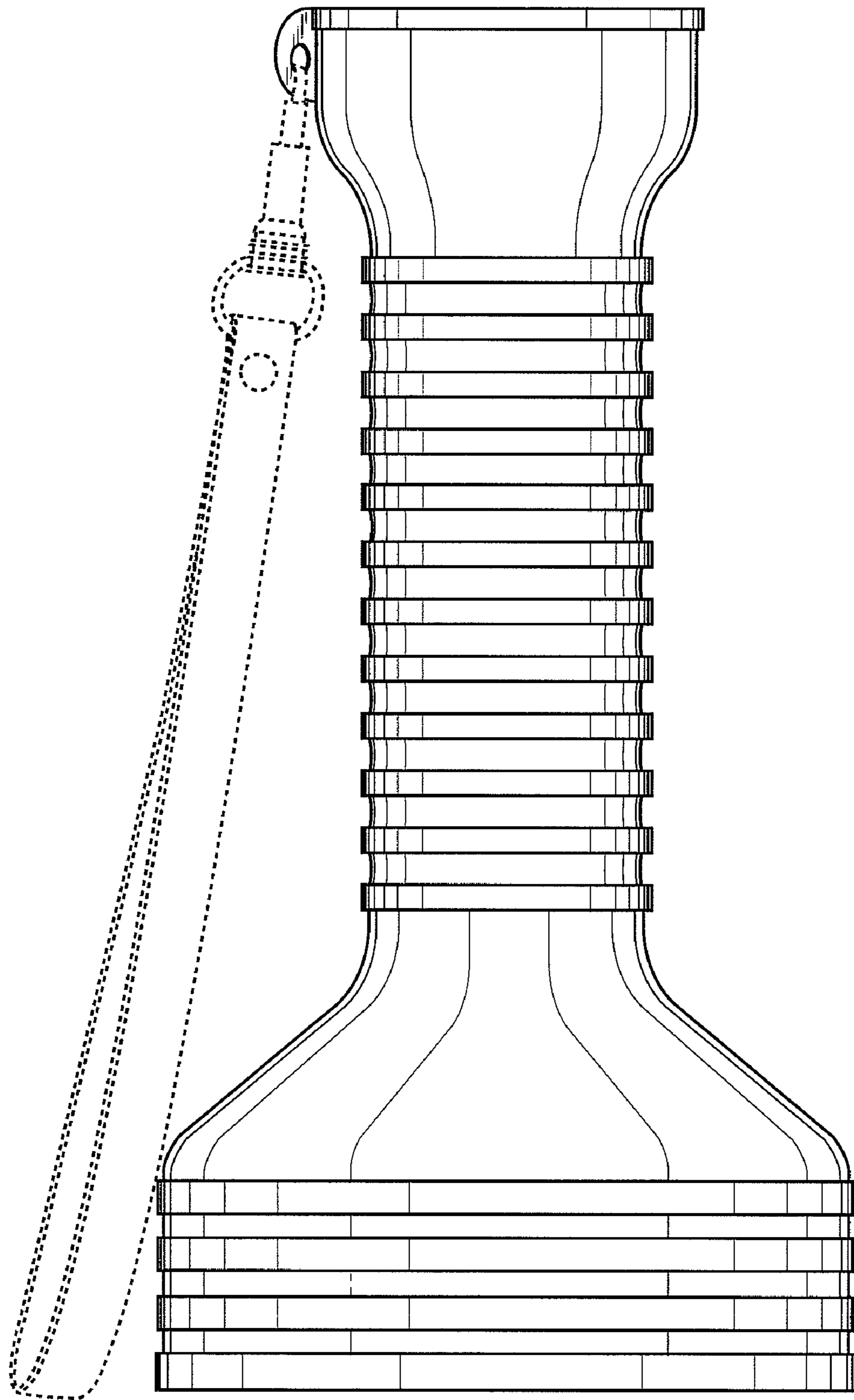


FIGURE 6

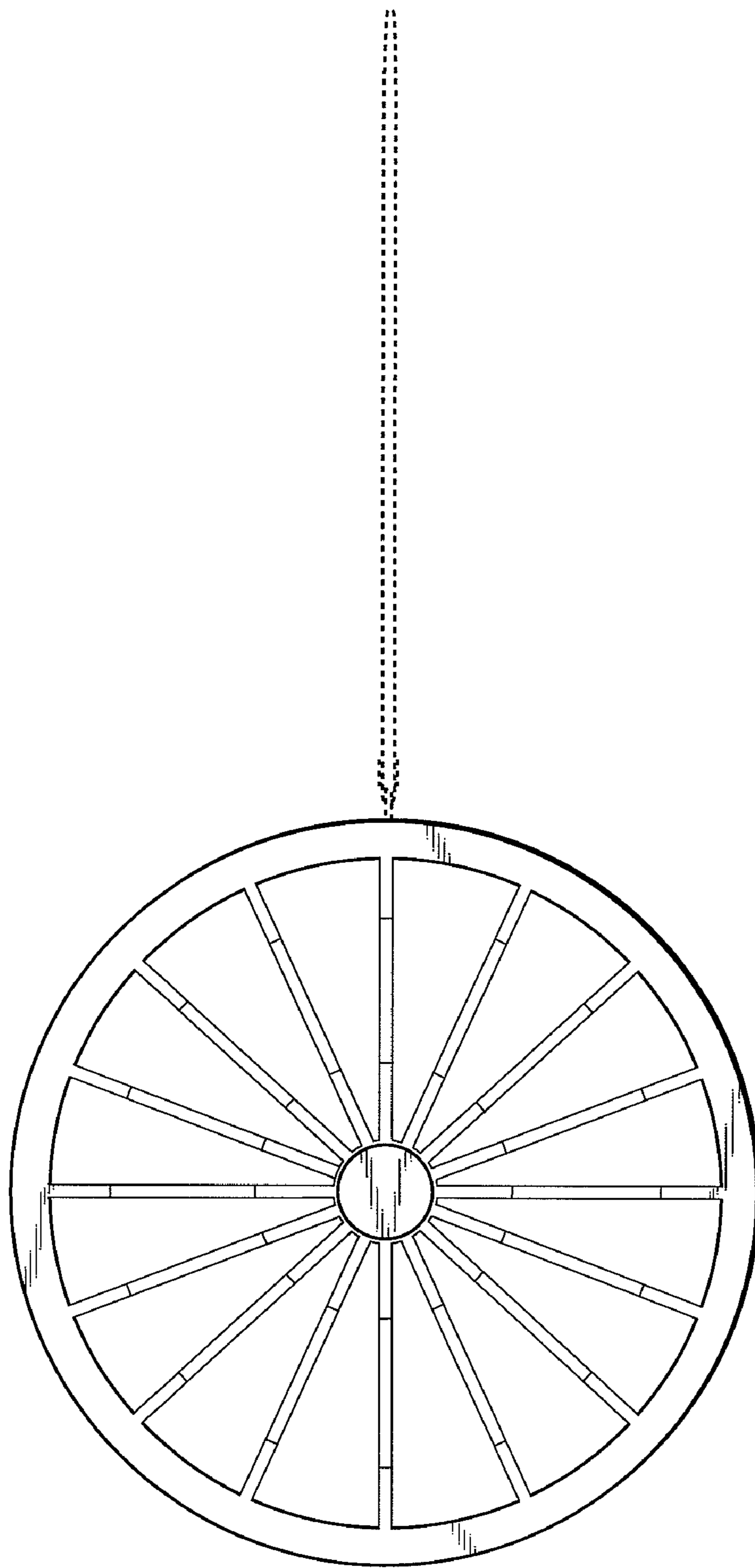


FIGURE 7