



US00D565435S

(12) **United States Design Patent**  
**Cheng**

(10) **Patent No.:** **US D565,435 S**

(45) **Date of Patent:** **\*\* Apr. 1, 2008**

(54) **PRECISION POSITION PLATFORM USED IN  
A LINEAR MOTOR AND A LINEAR  
MODULE**

6,871,548 B2 \* 3/2005 Helmer et al. .... 73/781  
7,219,590 B2 \* 5/2007 Cianciolo ..... 89/37.12

\* cited by examiner

(75) Inventor: **Don-Hua Cheng**, Taichung (TW)

*Primary Examiner*—Antoine D. Davis

(73) Assignee: **Hiwin Mikrosystem Corp.**, Taichung  
(TW)

(74) *Attorney, Agent, or Firm*—Banger Shia

(\*\*) Term: **14 Years**

(57) **CLAIM**

(21) Appl. No.: **29/250,625**

The ornamental design for a precision position platform used in a linear motor and a linear module, as shown and described.

(22) Filed: **Nov. 23, 2006**

**DESCRIPTION**

(51) **LOC (8) Cl.** ..... **10-04**

FIG. 1 is a perspective view of a precision position platform used in a linear motor and a linear module showing my new design;

(52) **U.S. Cl.** ..... **D10/46; D15/199**

(58) **Field of Classification Search** ..... D10/46,  
D10/65, 75; D15/199; 73/774, 781, 782;  
74/490.09, 490.1; 33/1 M; 89/37.12, 41.06–41.08;  
108/143; 248/657, 661; 269/73; 359/393;  
414/749

FIG. 2 is a front elevational view thereof;

FIG. 3 is a rear elevational view thereof,

FIG. 4 is a left side elevational view thereof,

FIG. 5 is a right side elevational view thereof,

FIG. 6 is a top plan view thereof; and,

FIG. 7 is a bottom plan view to that shown.

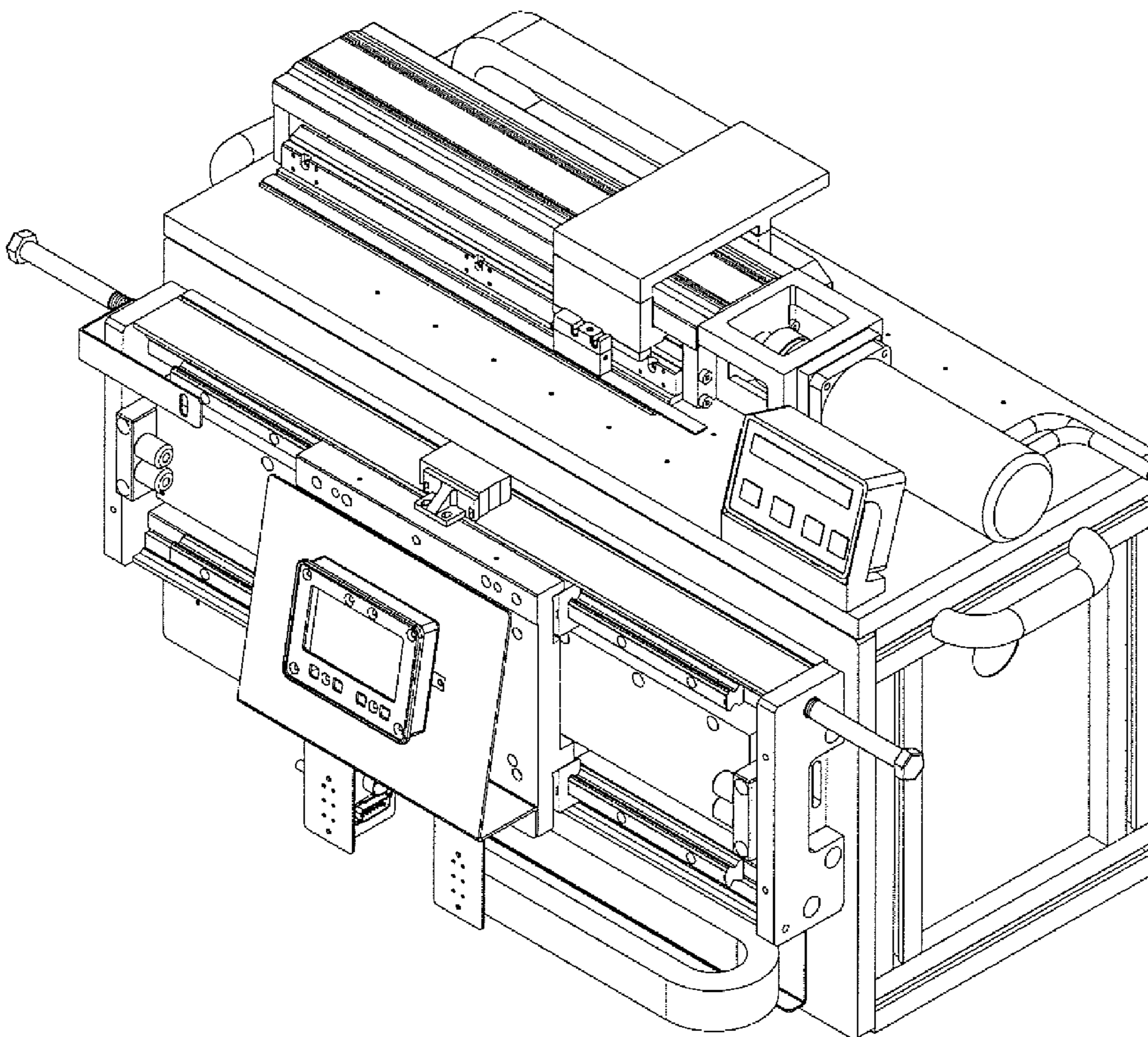
See application file for complete search history.

(56) **References Cited**

**U.S. PATENT DOCUMENTS**

6,186,024 B1 \* 2/2001 Leiber ..... 74/490.09

**1 Claim, 7 Drawing Sheets**



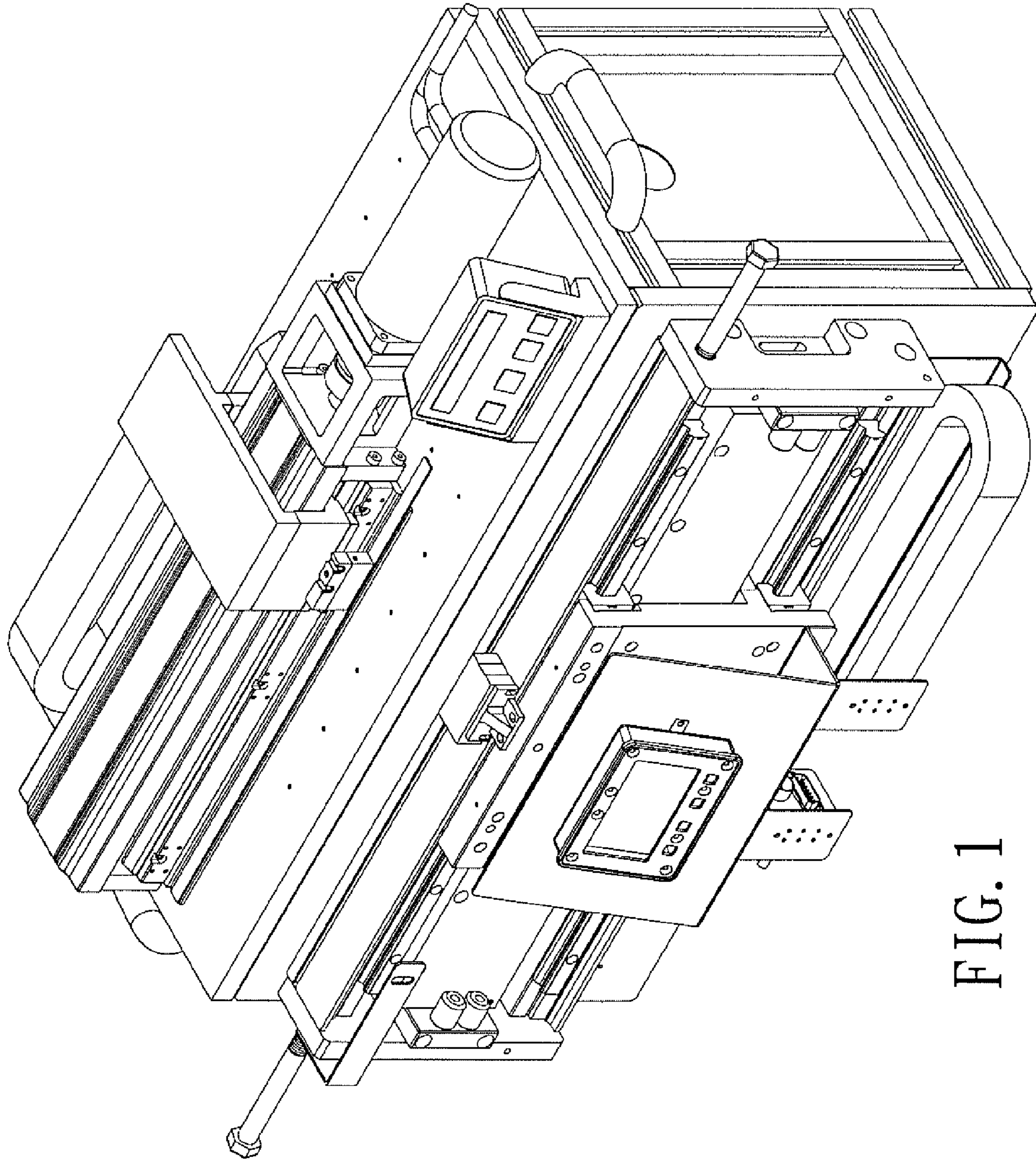


FIG. 1

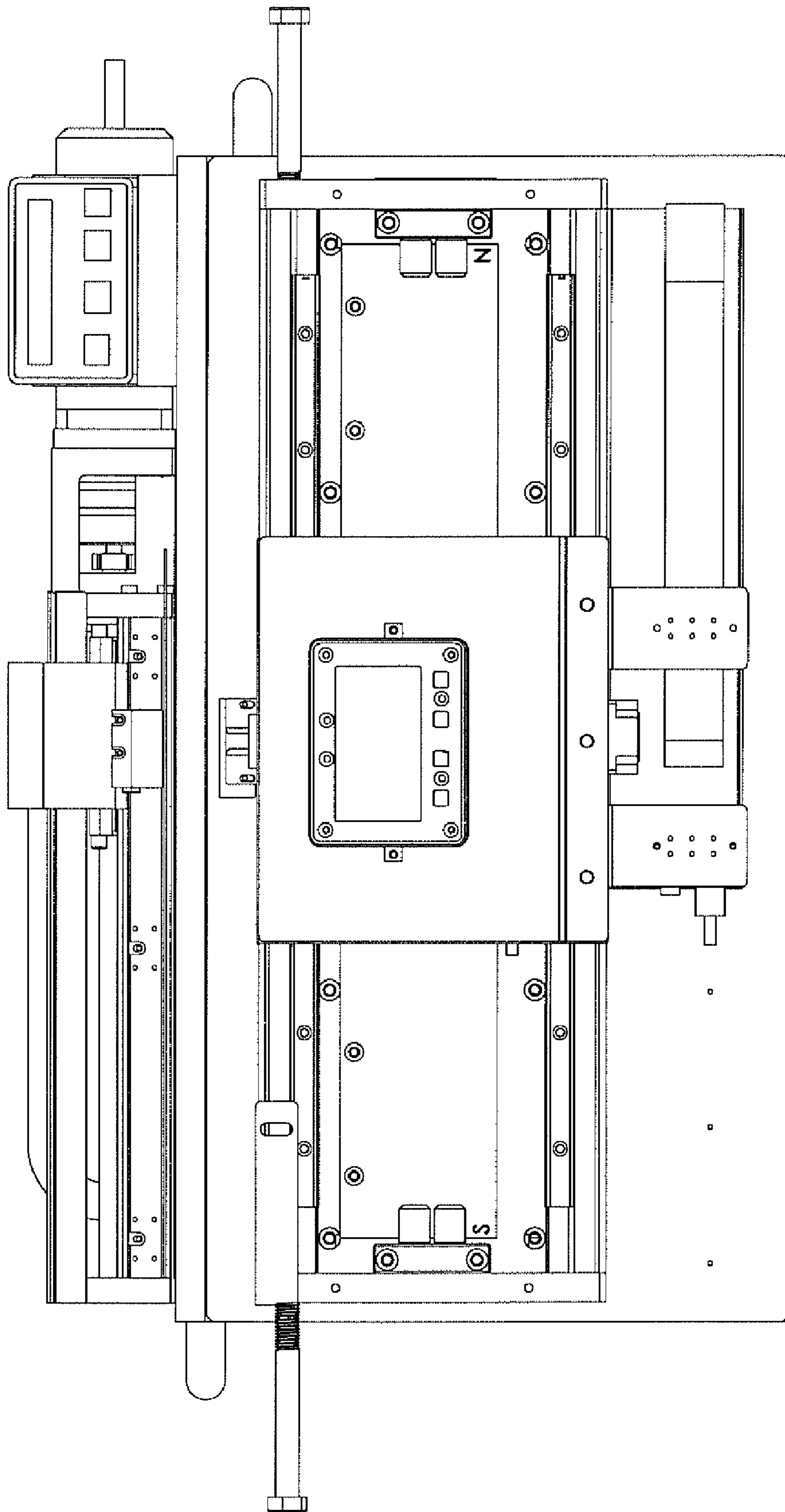


FIG. 2

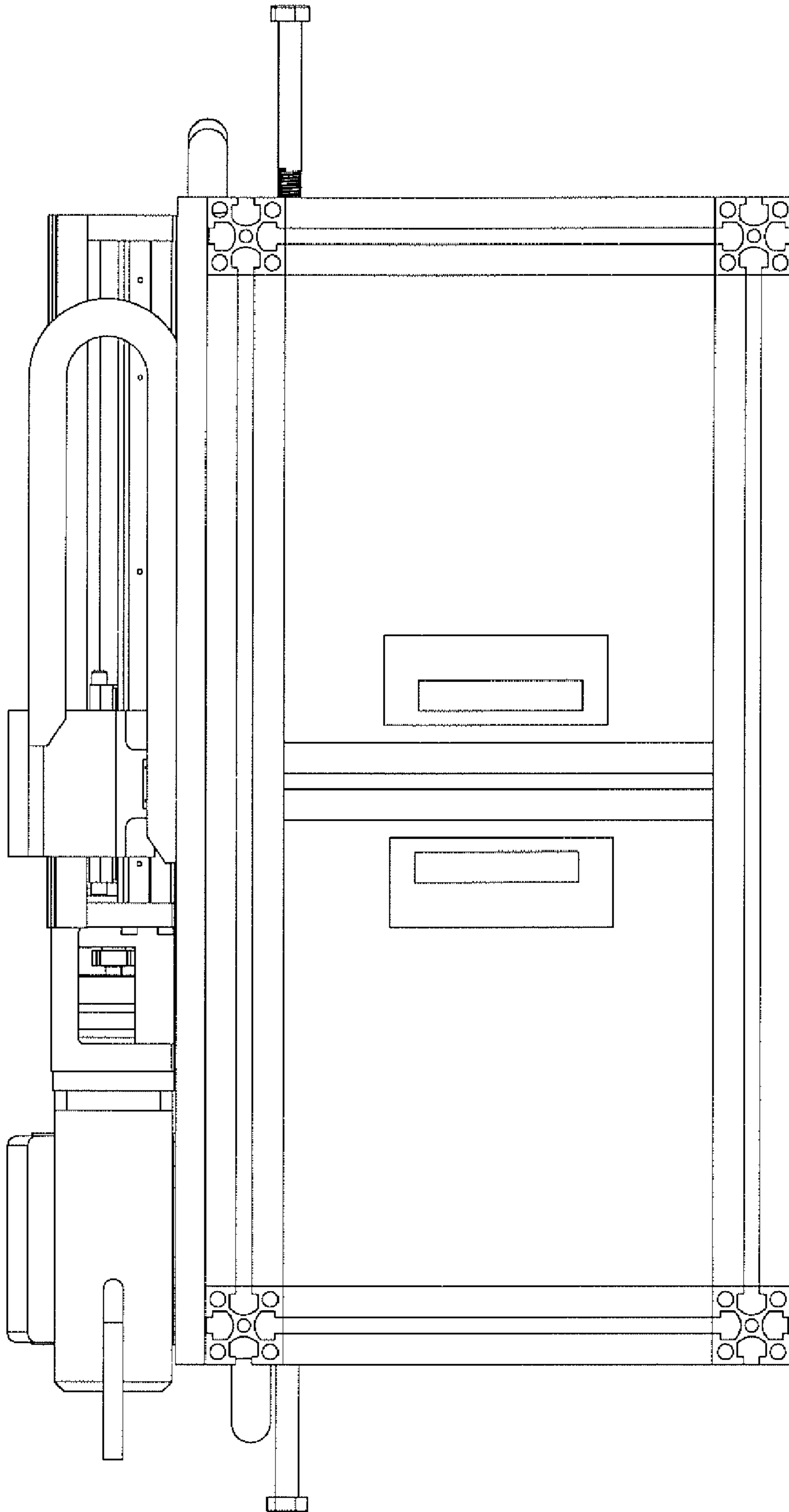


FIG. 3

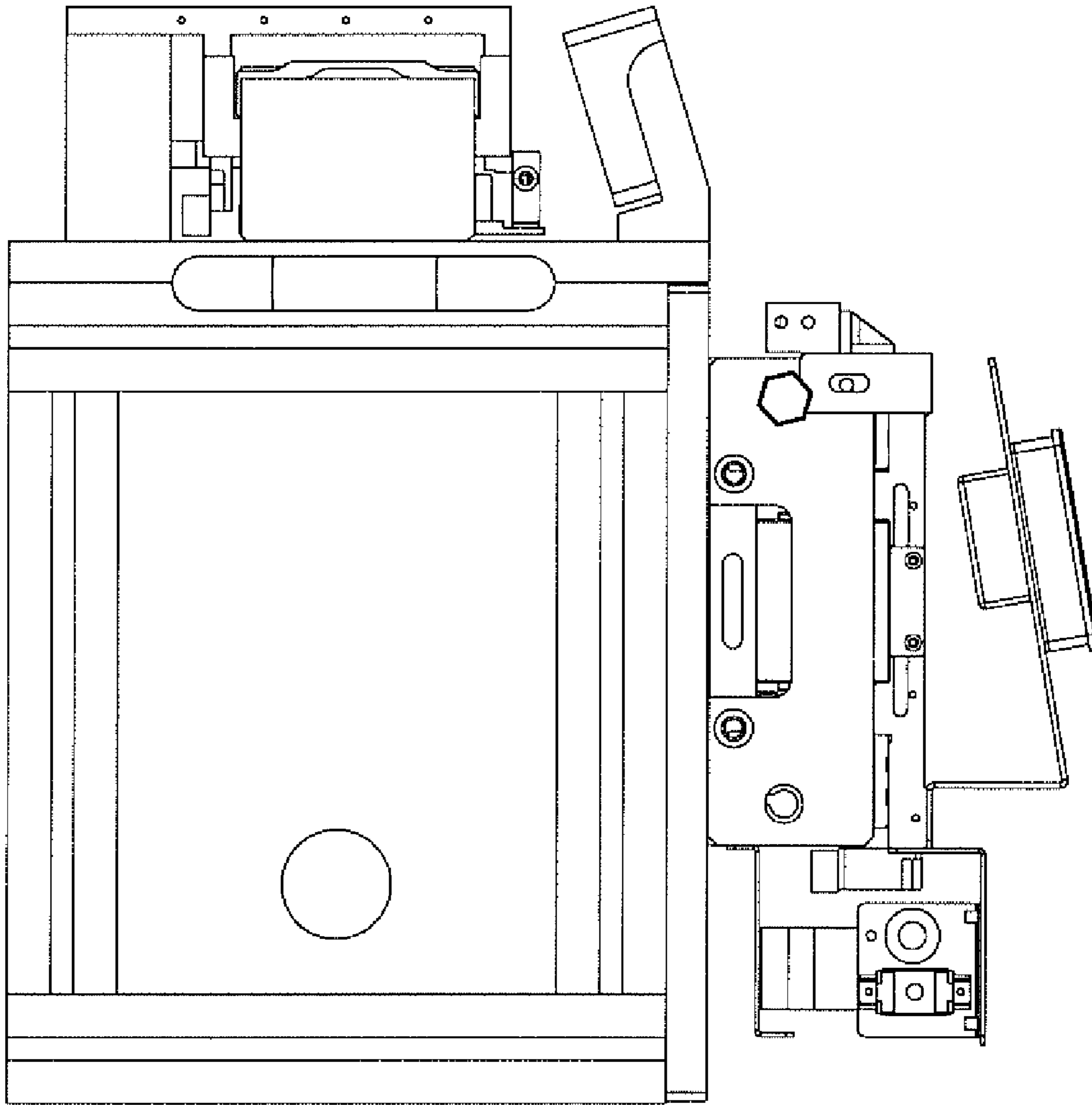


FIG. 4

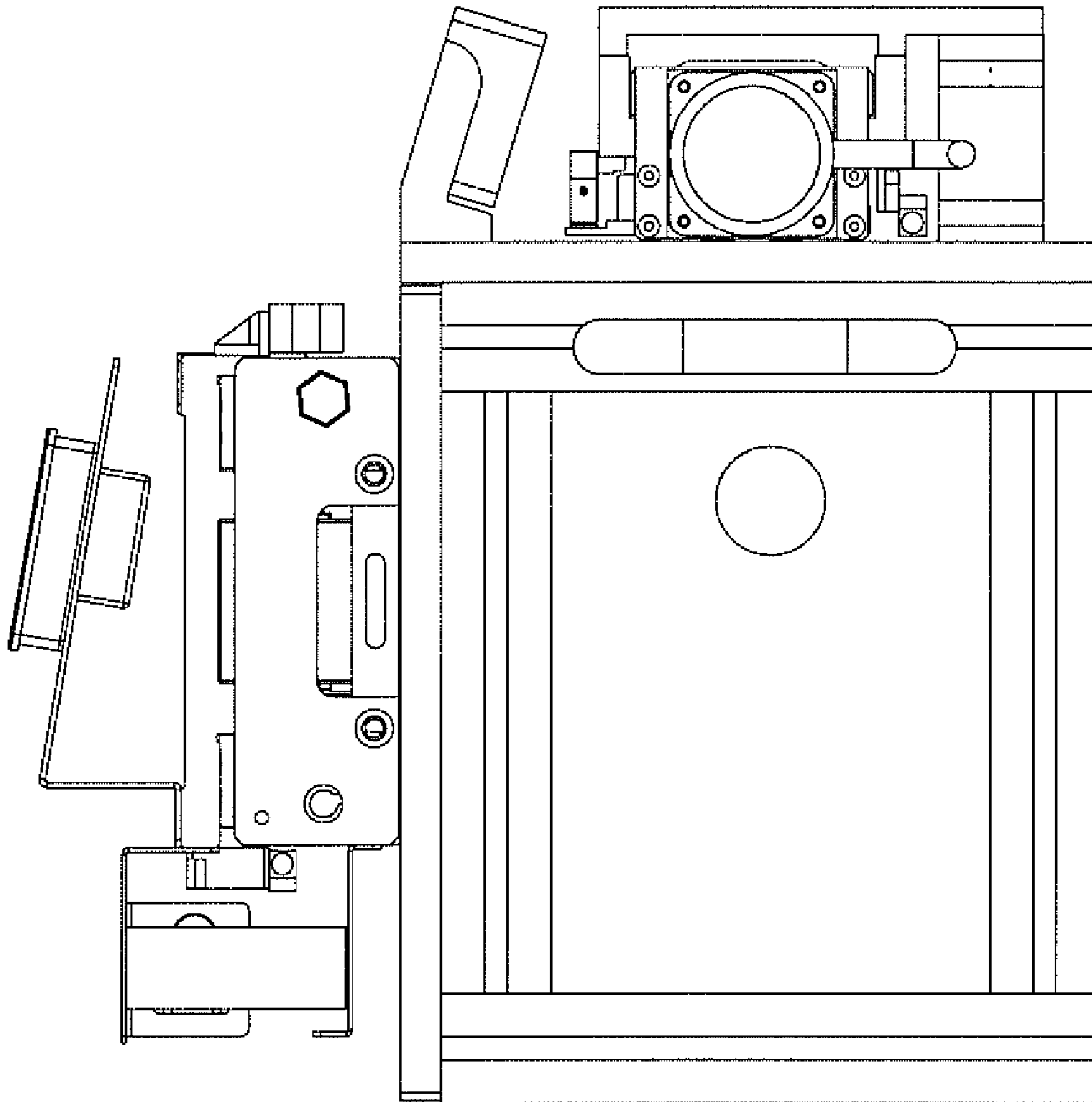


FIG. 5

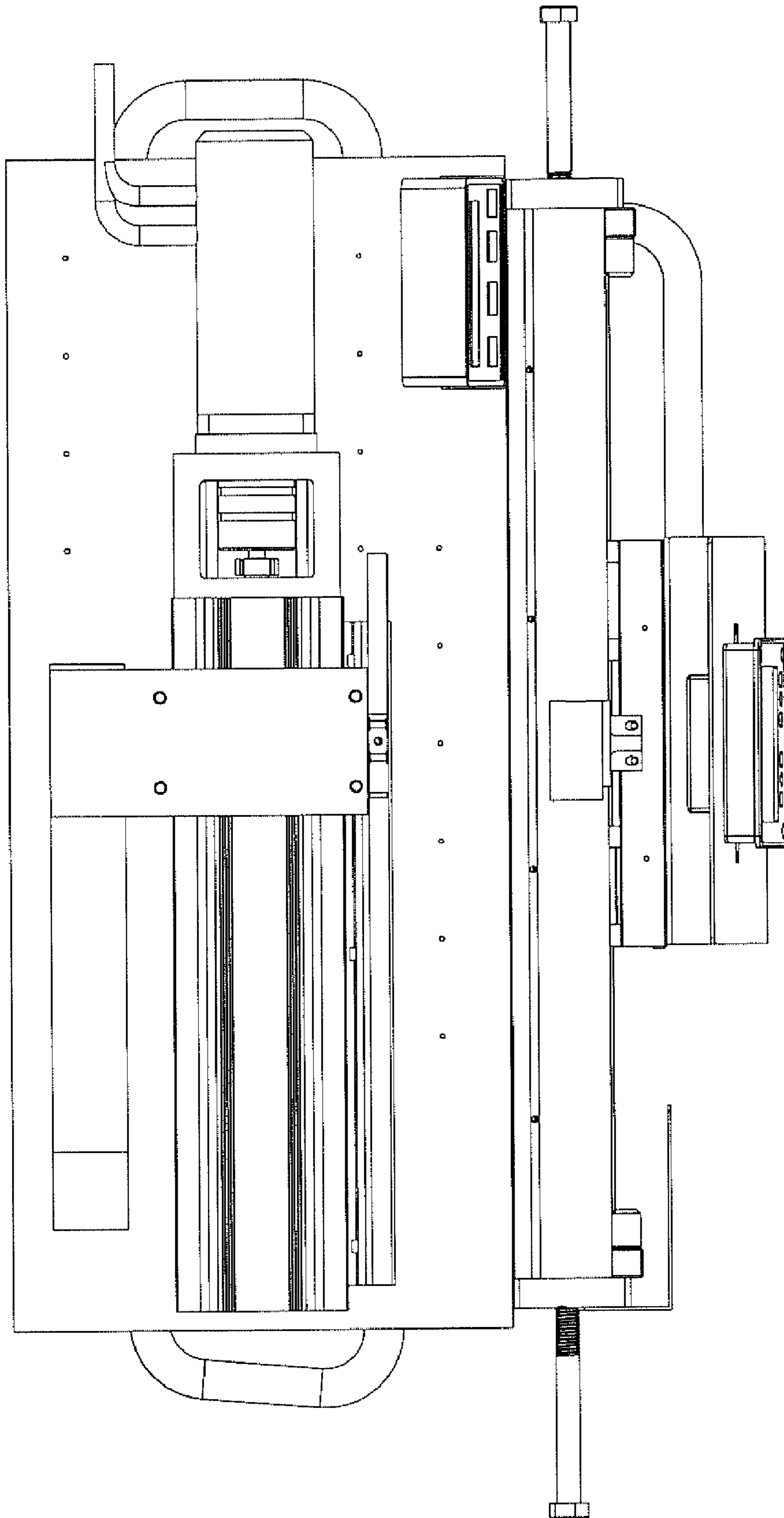


FIG. 6

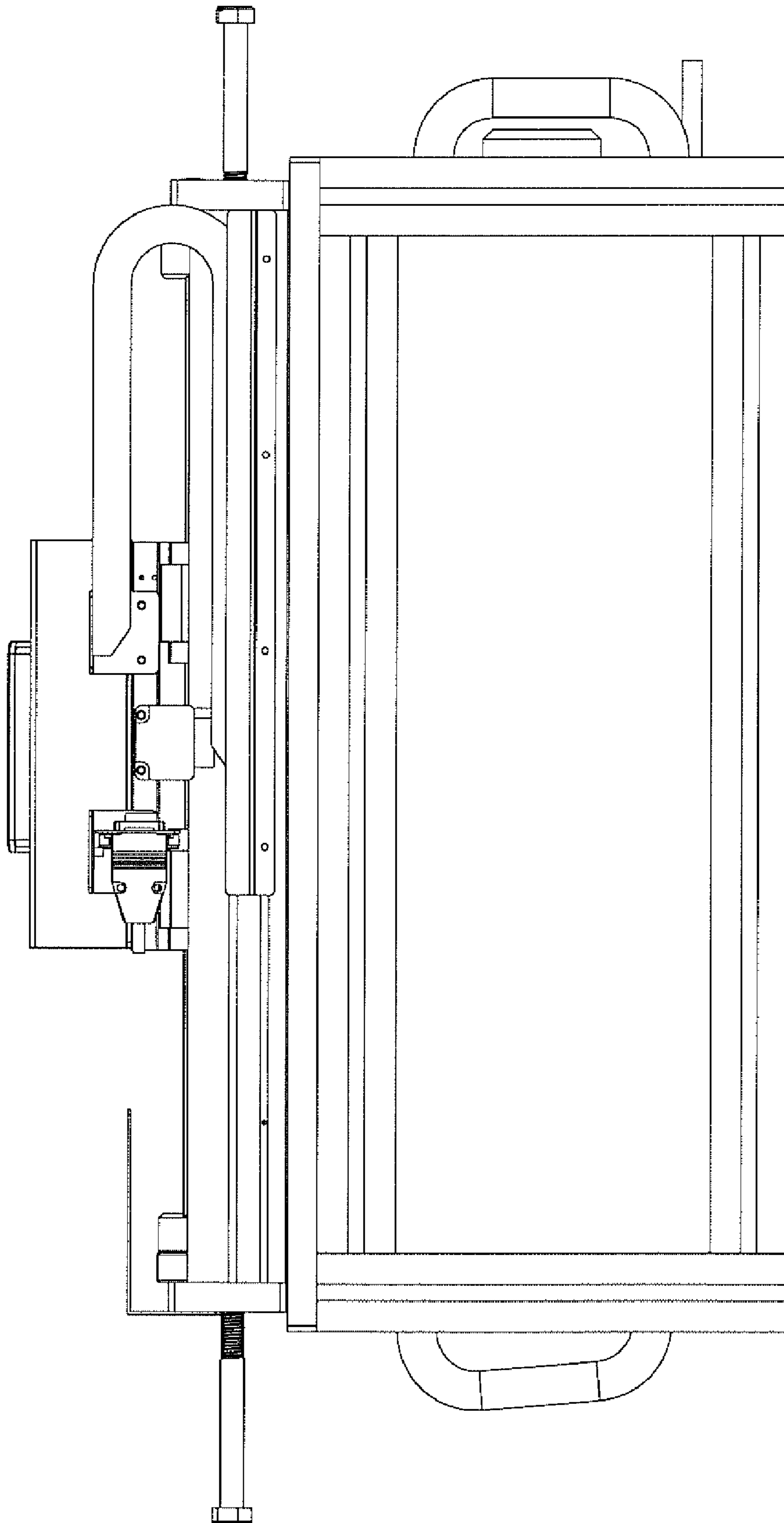


FIG. 7