



US00D565430S

(12) **United States Design Patent**
Wartersian et al.

(10) **Patent No.:** **US D565,430 S**

(45) **Date of Patent:** **** Apr. 1, 2008**

(54) **WATCH CASING**

(76) Inventors: **Kevork Wartersian**, 5499 Commerce Rd., West Bloomfield, MI (US) 48324;
Pierre Mouradian, 7359 Woodlore Dr., West Bloomfield, MI (US) 48323

(**) Term: **14 Years**

(21) Appl. No.: **29/281,488**

(22) Filed: **Jun. 25, 2007**

(51) **LOC (8) Cl.** **10-02**

(52) **U.S. Cl.** **D10/38**

(58) **Field of Classification Search** D10/30-39,
D10/122-132; 368/276, 281, 282, 285, 277
See application file for complete search history.

(56) **References Cited**

U.S. PATENT DOCUMENTS

4,855,972	A *	8/1989	Eiss	368/282
D317,577	S *	6/1991	Eiss	D10/30
D323,122	S *	1/1992	Severin	D10/32
5,117,406	A *	5/1992	Sullivan	368/282
D394,394	S *	5/1998	Bruce et al.	D10/30
D490,324	S *	5/2004	Chodat	D10/30

D502,407	S *	3/2005	Chodat	D10/30
D504,332	S *	4/2005	Chodat	D10/39
D510,281	S *	10/2005	Emery et al.	D10/32
D513,998	S *	1/2006	Emery et al.	D10/32
D539,173	S *	3/2007	Bolt et al.	D10/38

* cited by examiner

Primary Examiner—Lucy Lieberman

(74) *Attorney, Agent, or Firm*—Thomas E. Donohue;
Dickinson Wright PLLC

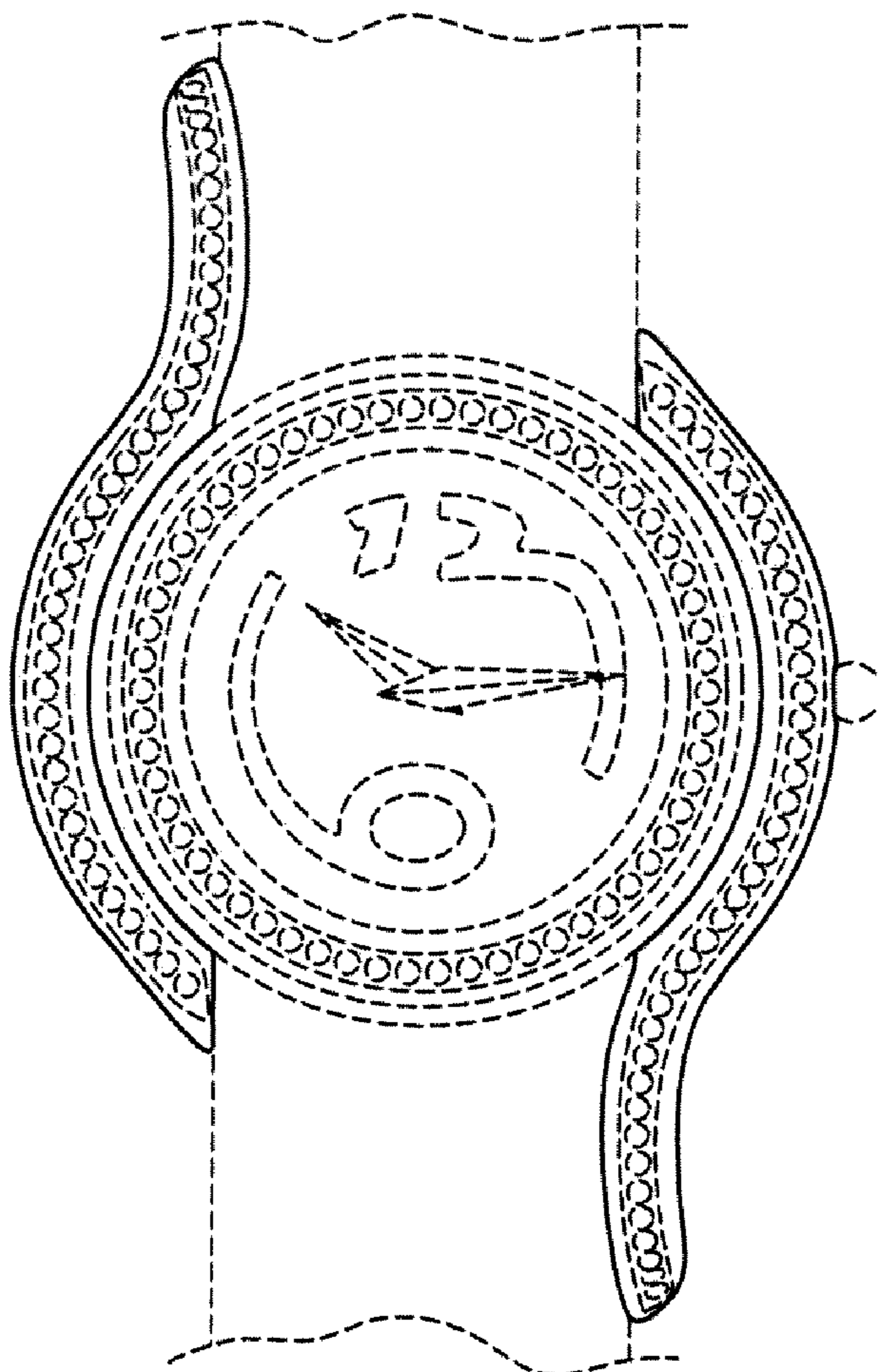
(57) **CLAIM**

The ornamental design for a watch casing, as shown and described.

DESCRIPTION

FIG. 1 is a top view of a watch casing;
FIG. 2 is a bottom view of the watch casing of FIG. 1;
FIG. 3 is a front end view of the watch casing of FIG. 1;
FIG. 4 is a back end view of the watch casing of FIG. 1;
FIG. 5 is a right side view of the watch casing of FIG. 1; and,
FIG. 6 is a left side view of the watch casing of FIG. 1.

1 Claim, 2 Drawing Sheets



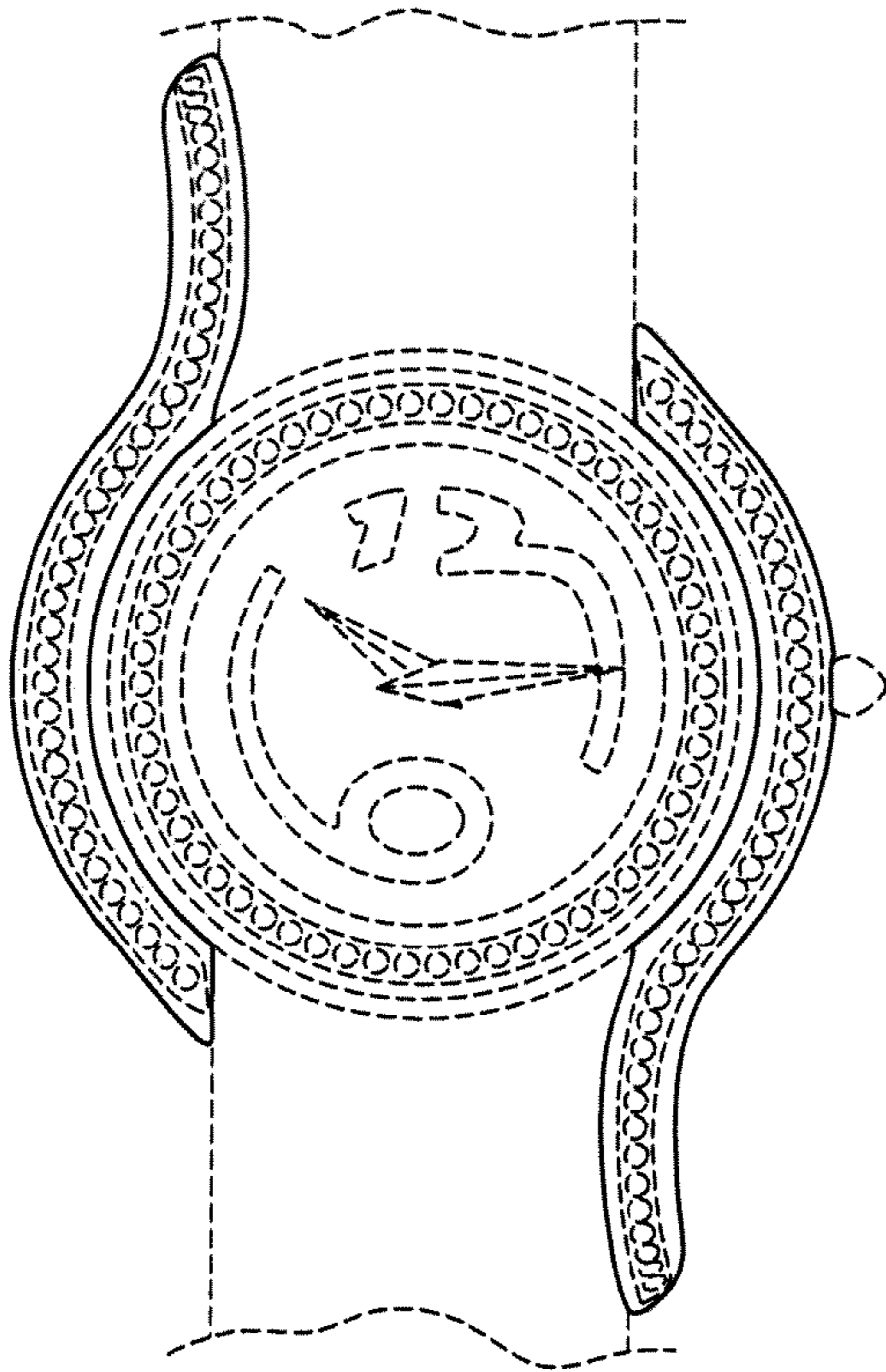


FIG. 1

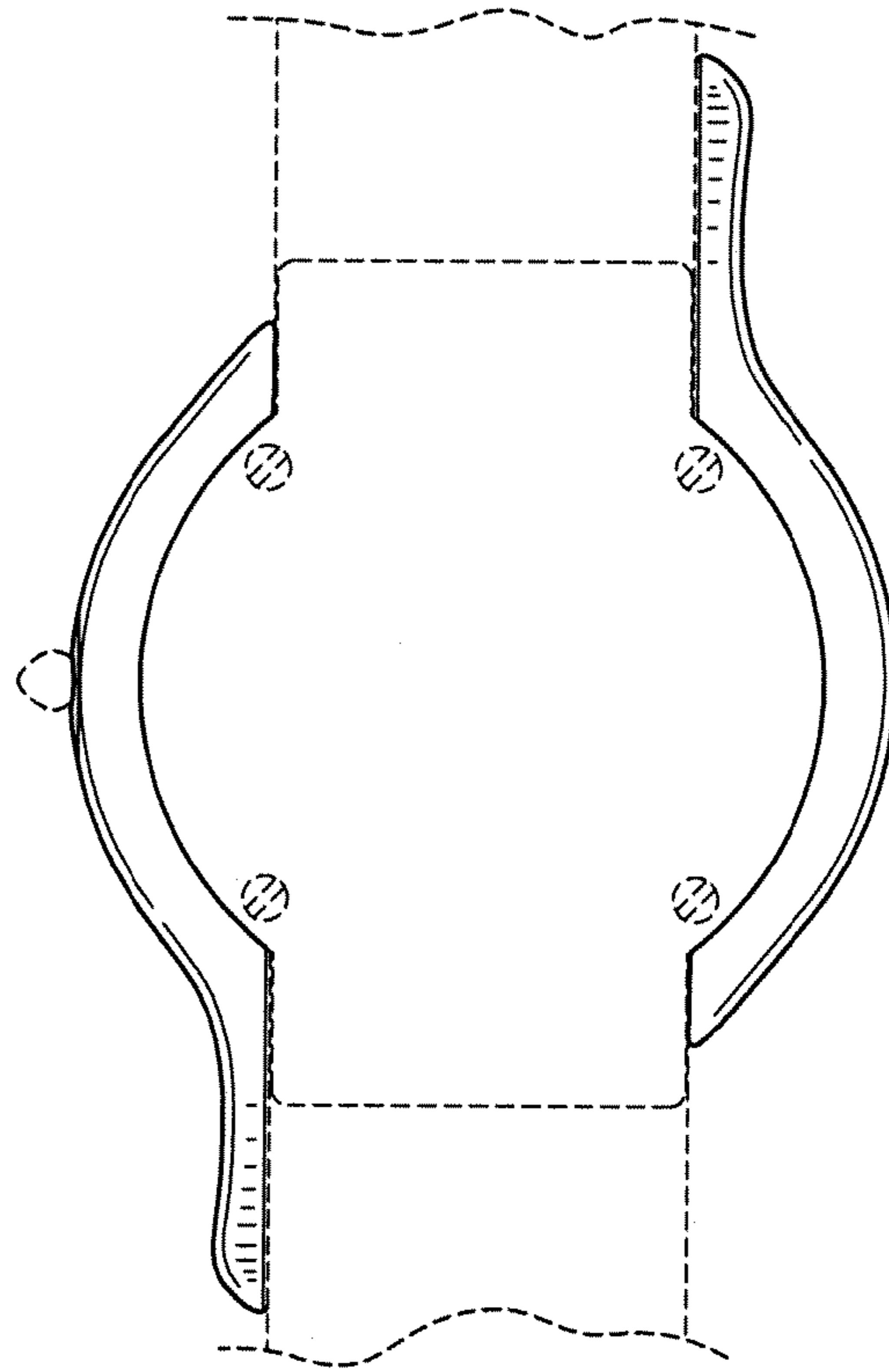


FIG. 2

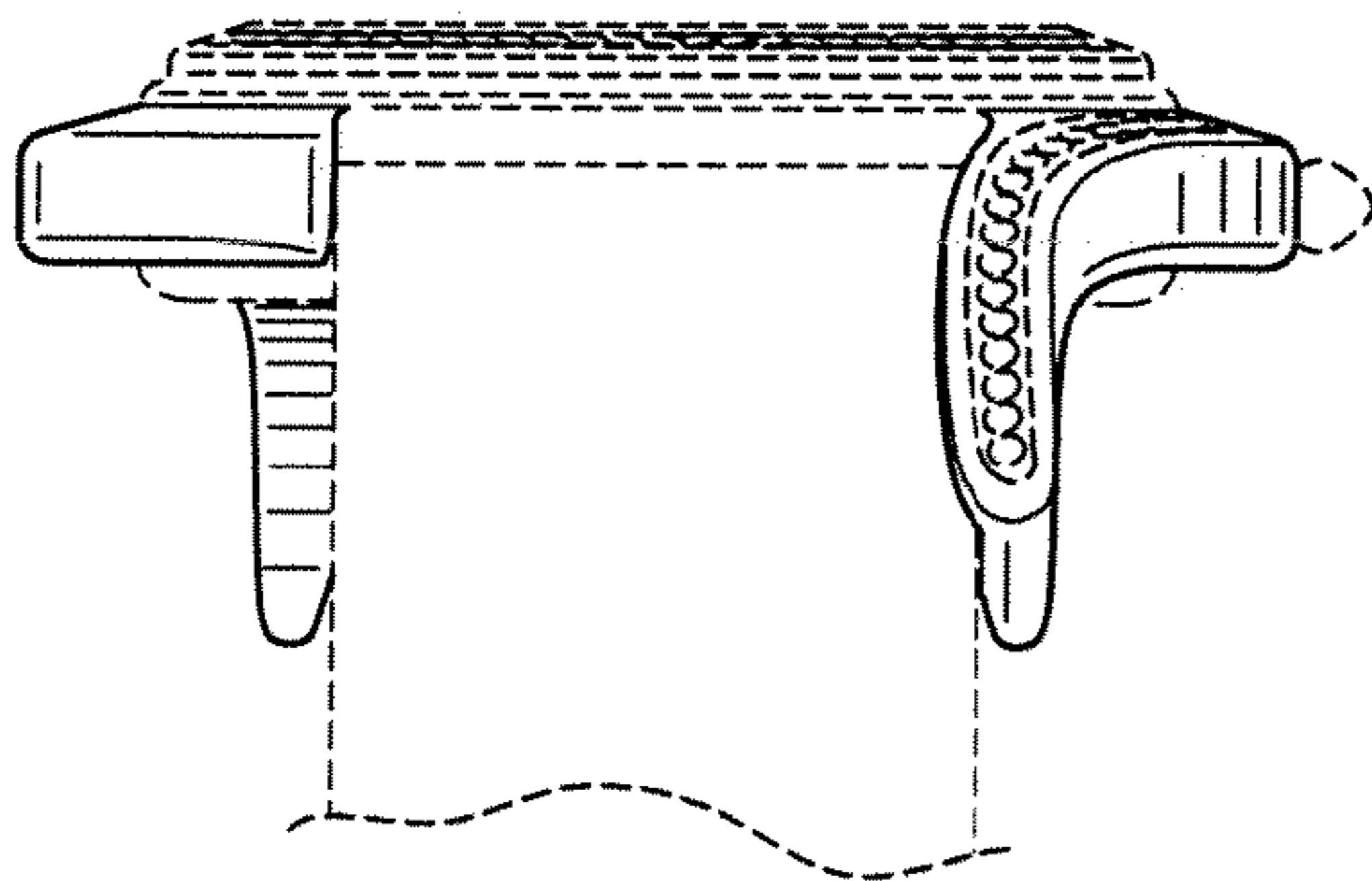


FIG. 3

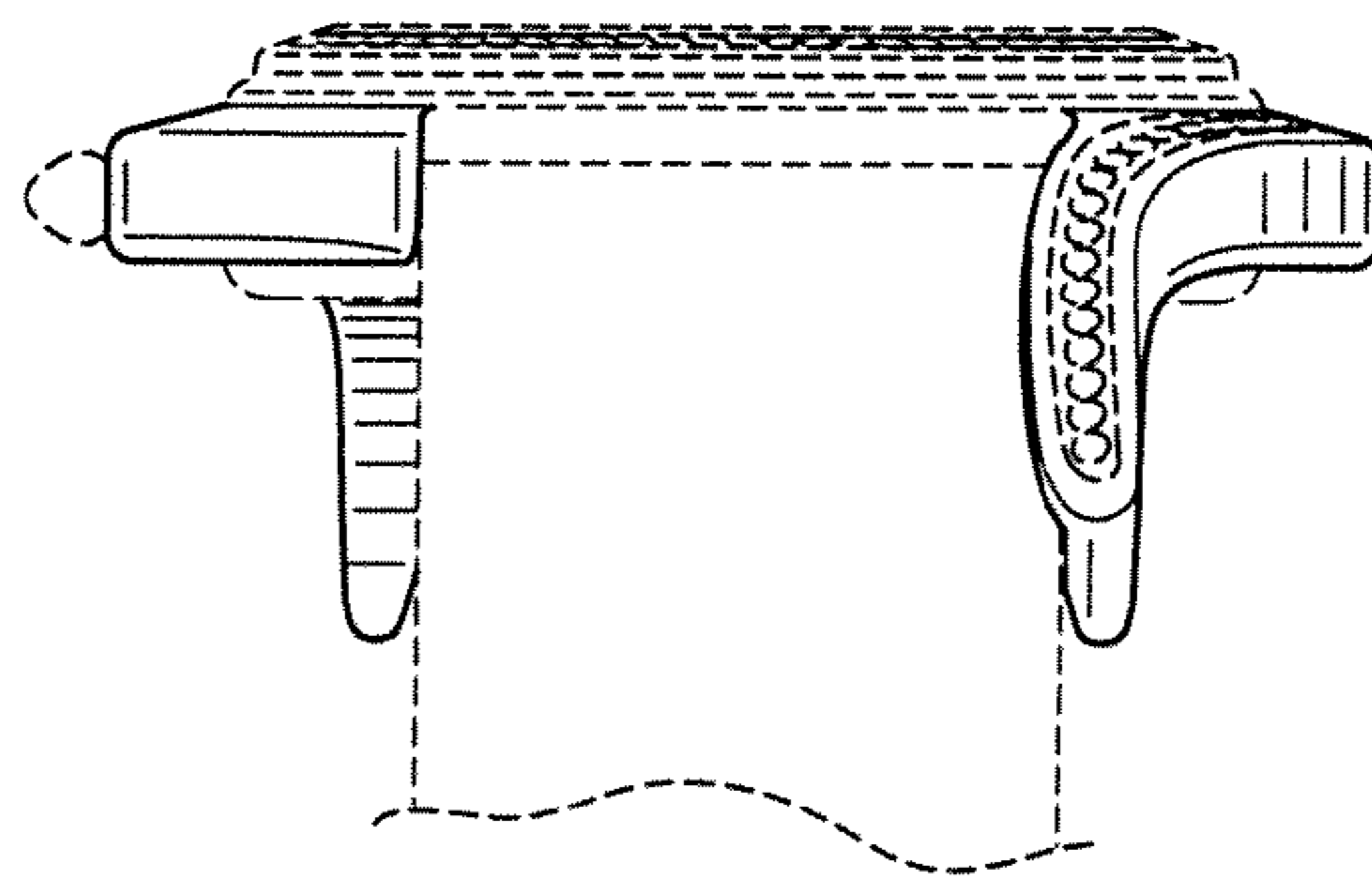


FIG. 4

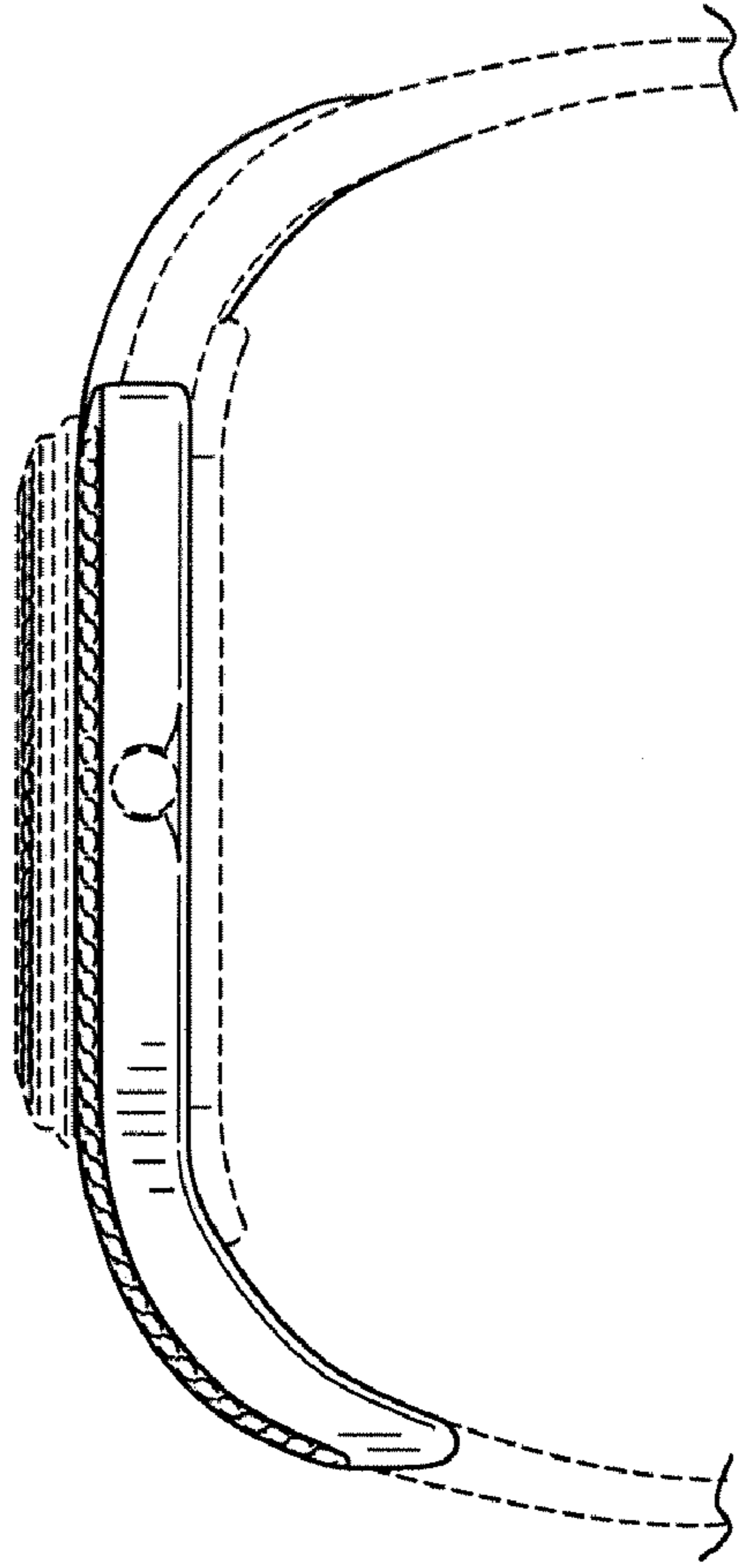


FIG. 5

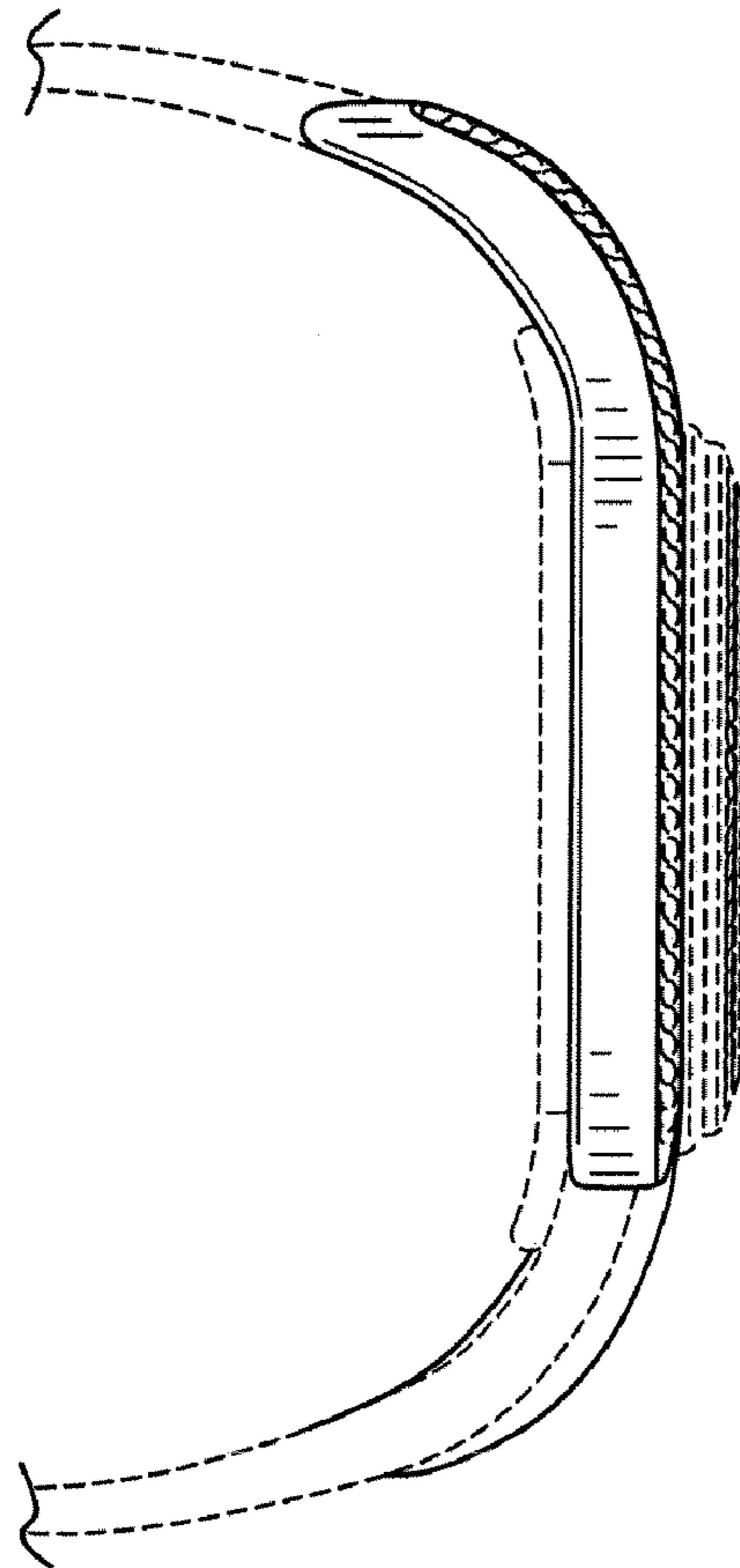


FIG. 6