



US00D565426S

(12) **United States Design Patent**
Rabassa

(10) **Patent No.:** **US D565,426 S**

(45) **Date of Patent:** **** Apr. 1, 2008**

(54) **WRISTWATCH**

(75) Inventor: **Serge Rabassa**, Geneva (CH)

(73) Assignee: **Cartier Creation Studio SA**, Geneva (CH)

(**) Term: **14 Years**

(21) Appl. No.: **29/262,717**

(22) Filed: **Jul. 10, 2006**

(30) **Foreign Application Priority Data**

Jan. 12, 2006 (EM) 000462775-0001

(51) **LOC (8) Cl.** **10-02**

(52) **U.S. Cl.** **D10/30**

(58) **Field of Classification Search** D10/1-40,
D10/123-132, 280-282; D11/3-25; 224/164-168;
368/10, 21, 28-30, 223, 228, 232, 234, 239-242,
368/276-277, 281-283, 285-288, 294-295,
368/308, 316-317, 319-321; 63/3, 3.1
See application file for complete search history.

(56) **References Cited**

U.S. PATENT DOCUMENTS

D299,117 S * 12/1988 Maroni D10/32
D310,334 S * 9/1990 Jahan D10/32
D319,984 S * 9/1991 Woomer D10/39
D324,828 S * 3/1992 Wunderman D10/32
D371,745 S * 7/1996 Wunderman D10/32
D490,008 S * 5/2004 Brewer et al. D10/126
D490,715 S * 6/2004 Ek D10/2
D494,873 S * 8/2004 Junod D10/32
D504,624 S * 5/2005 Bodino D10/39

D510,037 S * 9/2005 Modolo D10/32
D537,740 S * 3/2007 Grosjean D10/38
D542,156 S * 5/2007 Lafever et al. D10/32
D543,122 S * 5/2007 Lafever et al. D10/32

FOREIGN PATENT DOCUMENTS

GB 2052161 * 11/1995
GB 2089889 * 10/2003

OTHER PUBLICATIONS

Shopper's Advantage 2002 p. 22, Movado.*

* cited by examiner

Primary Examiner—Mimosa De

Assistant Examiner—Ricky Pham

(74) *Attorney, Agent, or Firm*—Kalow & Springut LLP

(57) **CLAIM**

The ornamental design for a wristwatch, as shown and described.

DESCRIPTION

FIG. 1 is a perspective view of the wristwatch.

FIG. 2 is a bottom view thereof.

FIG. 3 is a top view thereof.

FIG. 4 is a right side view thereof.

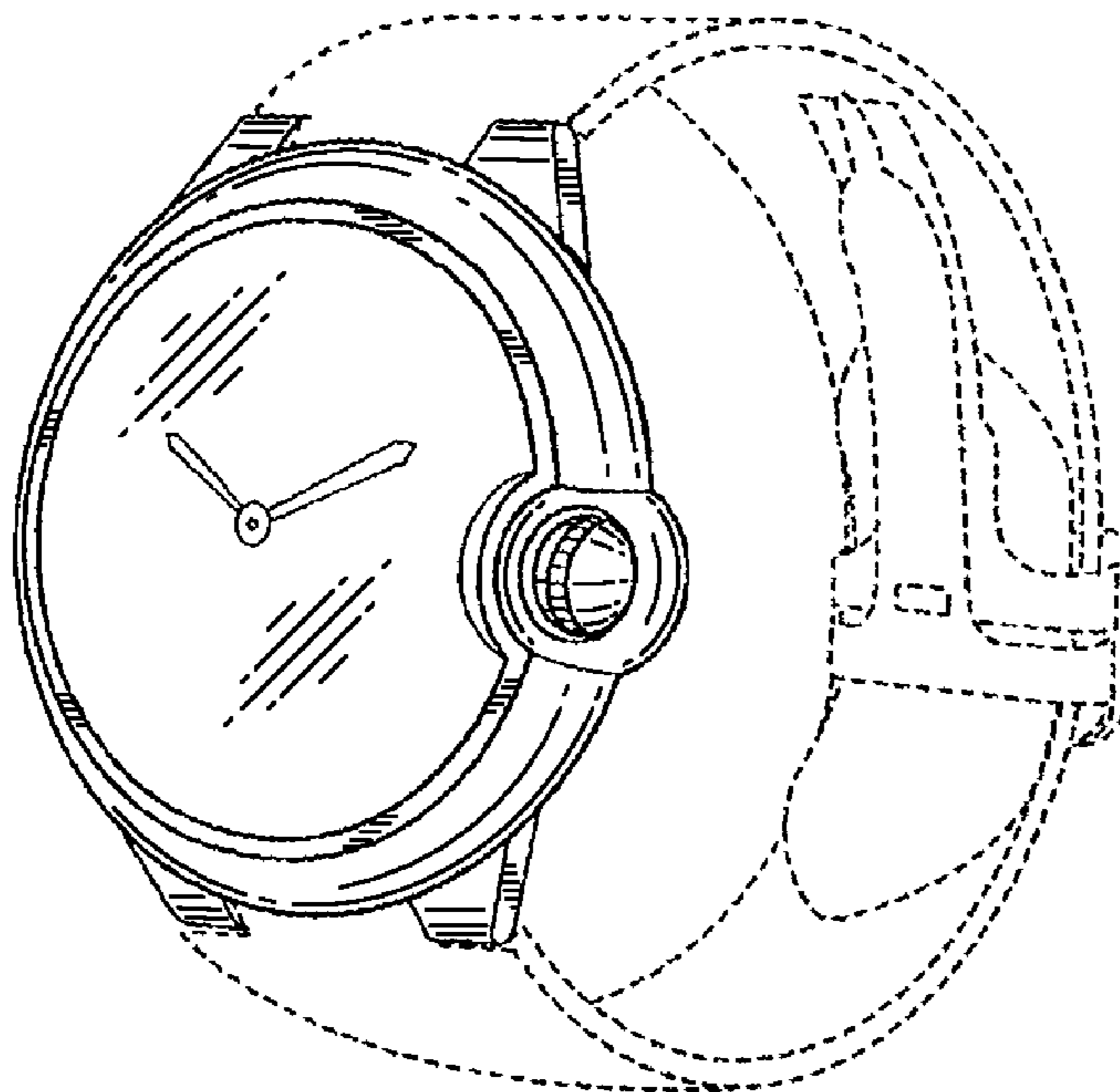
FIG. 5 is a left side view thereof.

FIG. 6 is a front view thereof; and,

FIG. 7 is a rear view thereof.

The broken lines of the figures are for illustrative purposes only and form no part of the claimed design.

1 Claim, 2 Drawing Sheets



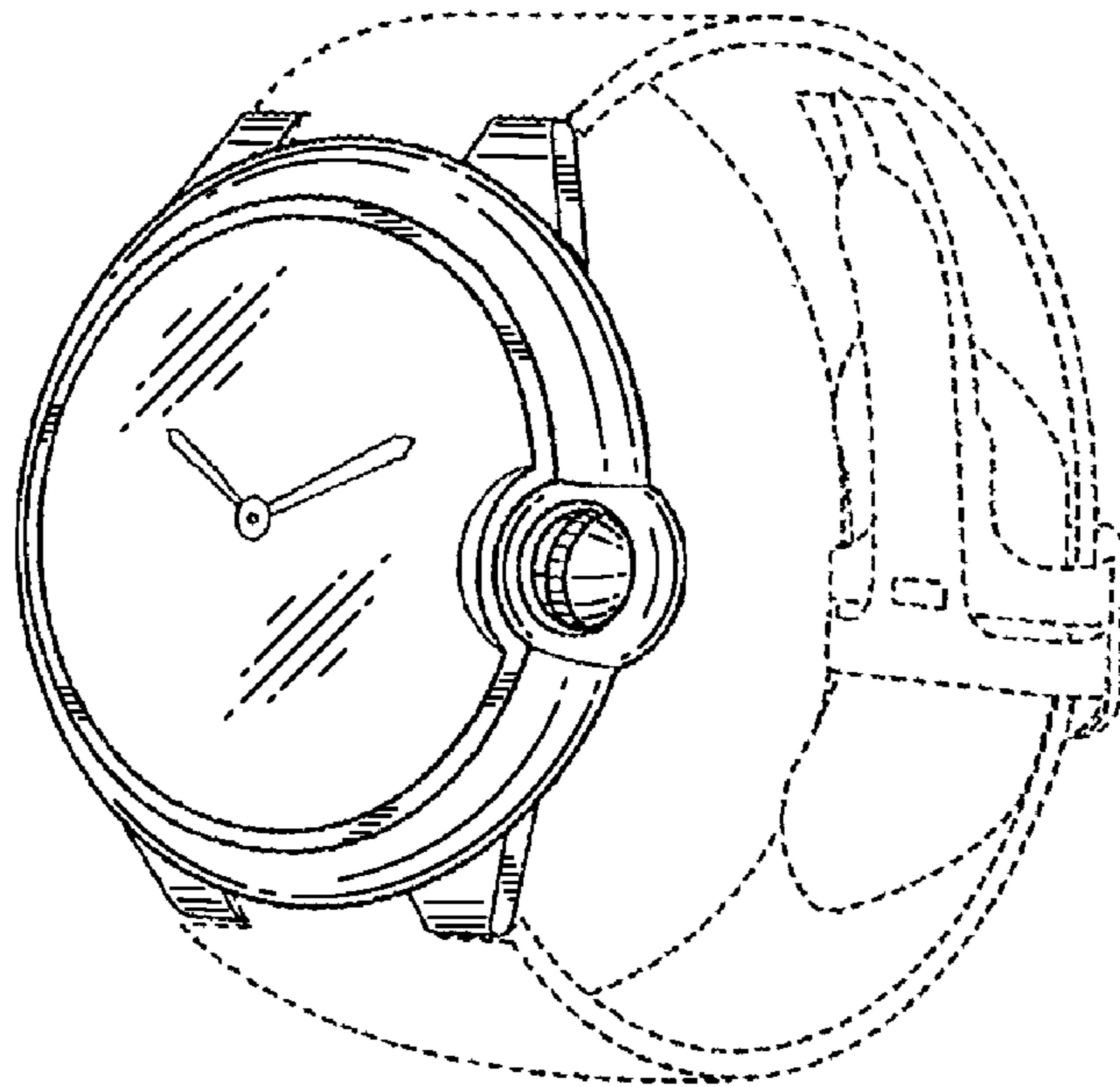


FIG. 1

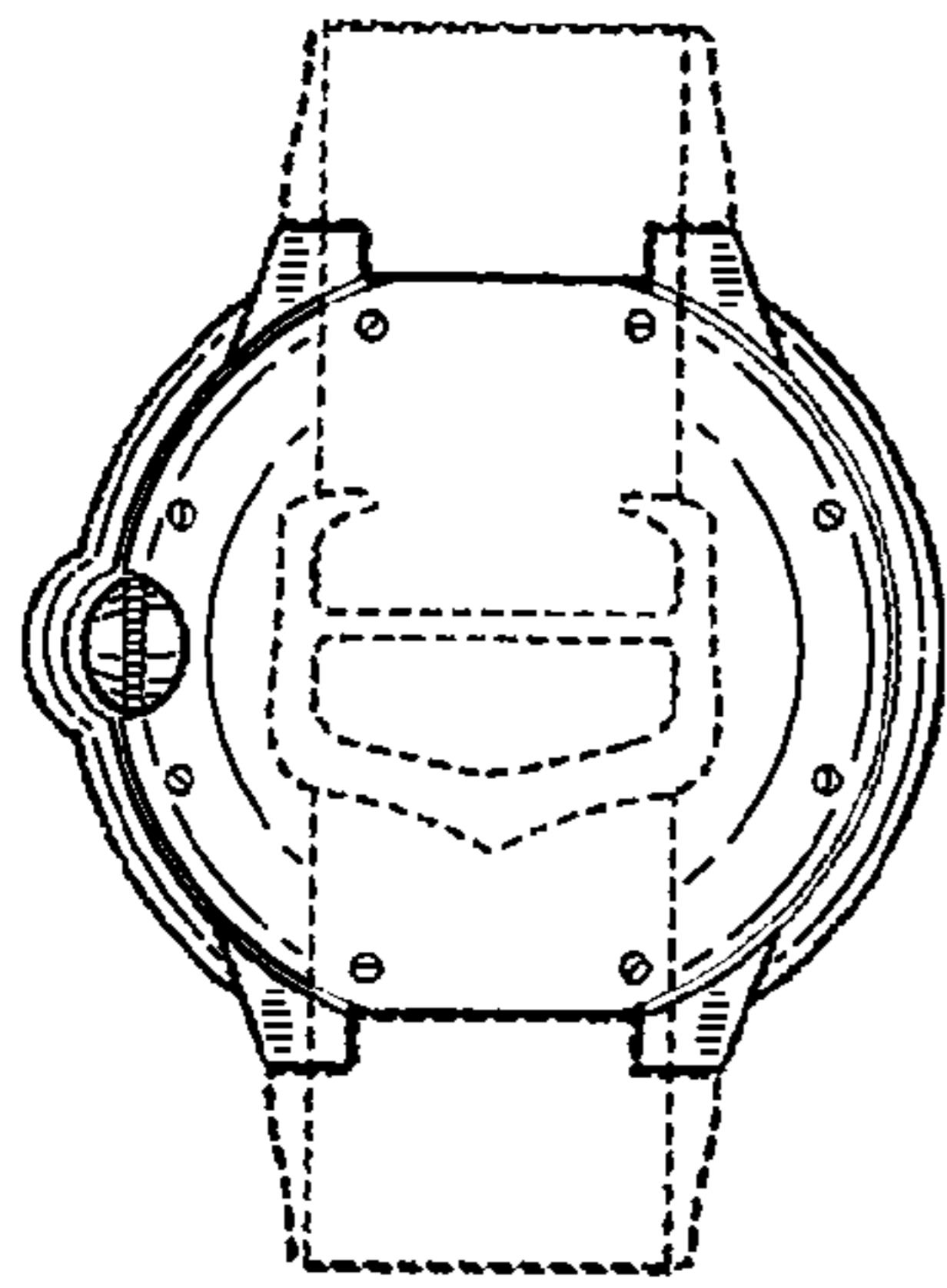


FIG. 2

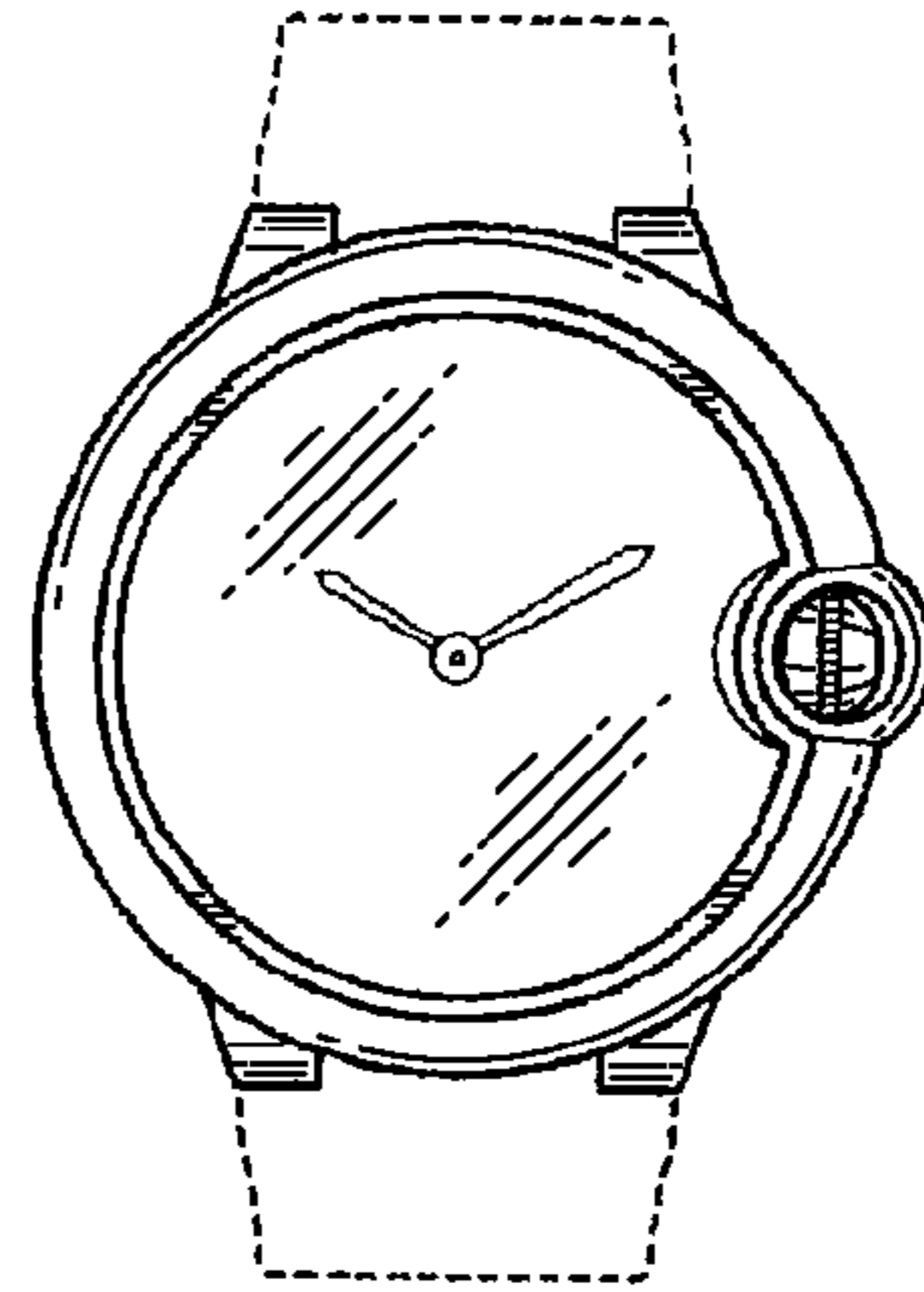


FIG. 3

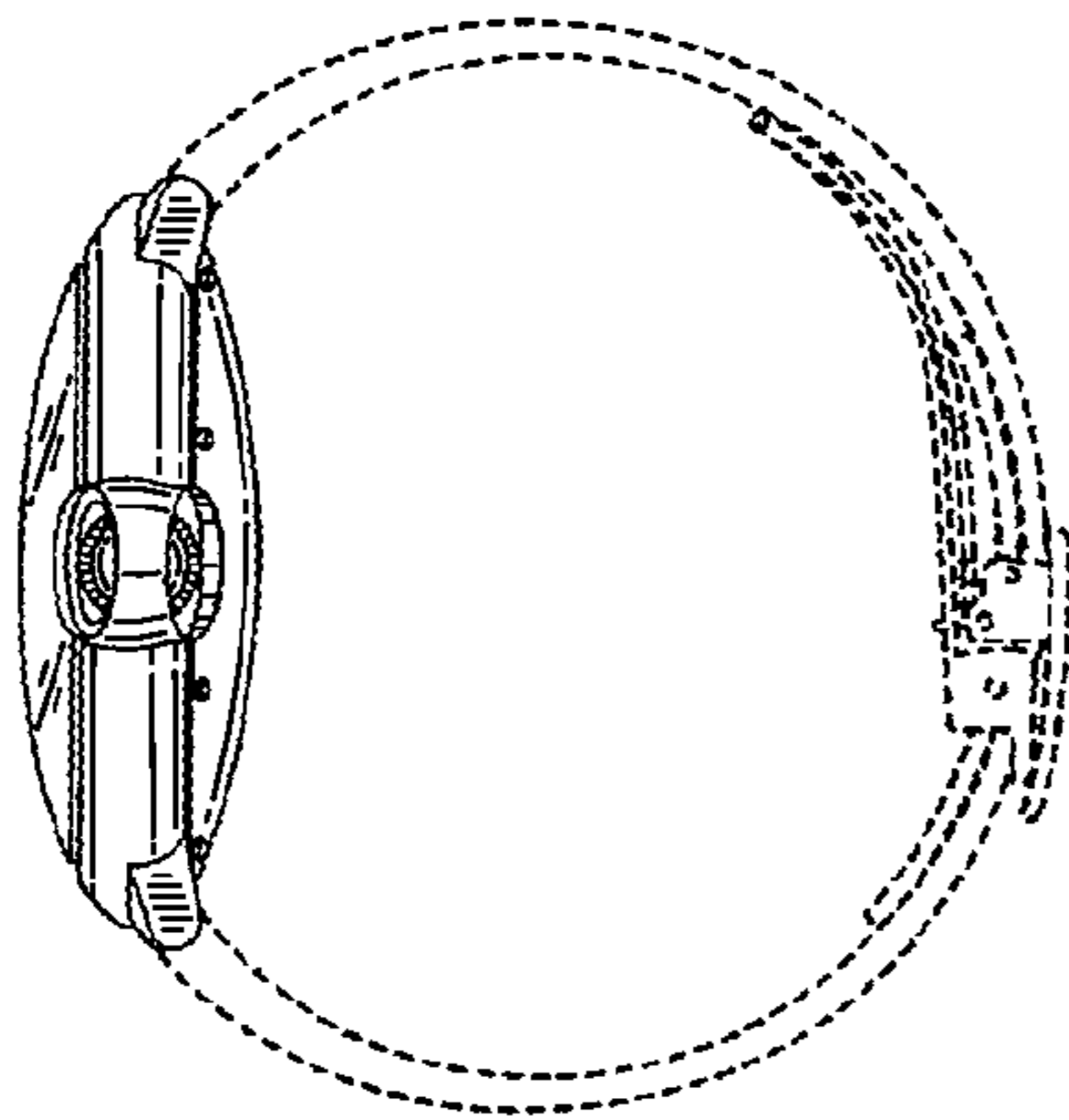


FIG. 4

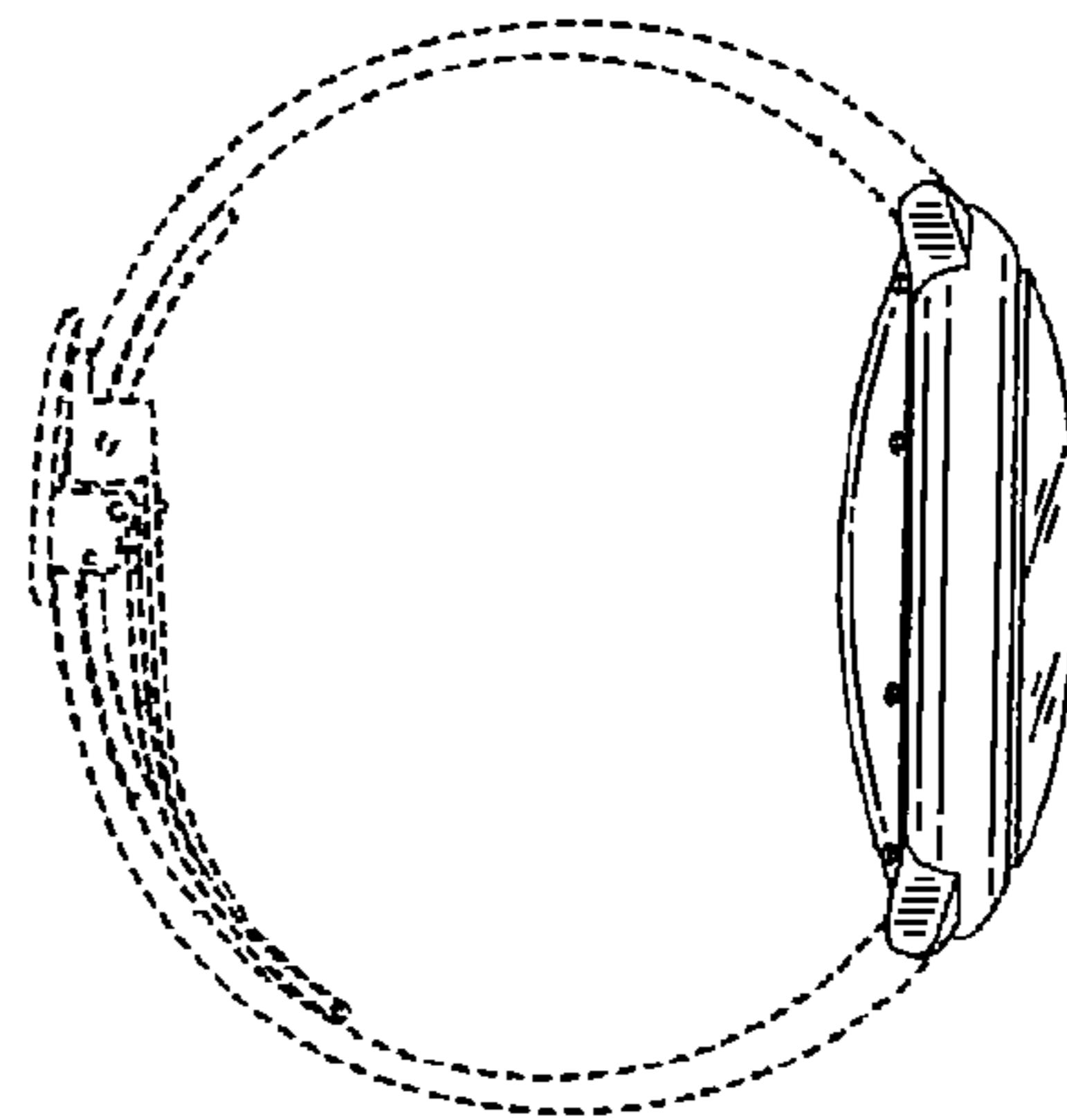


FIG. 5

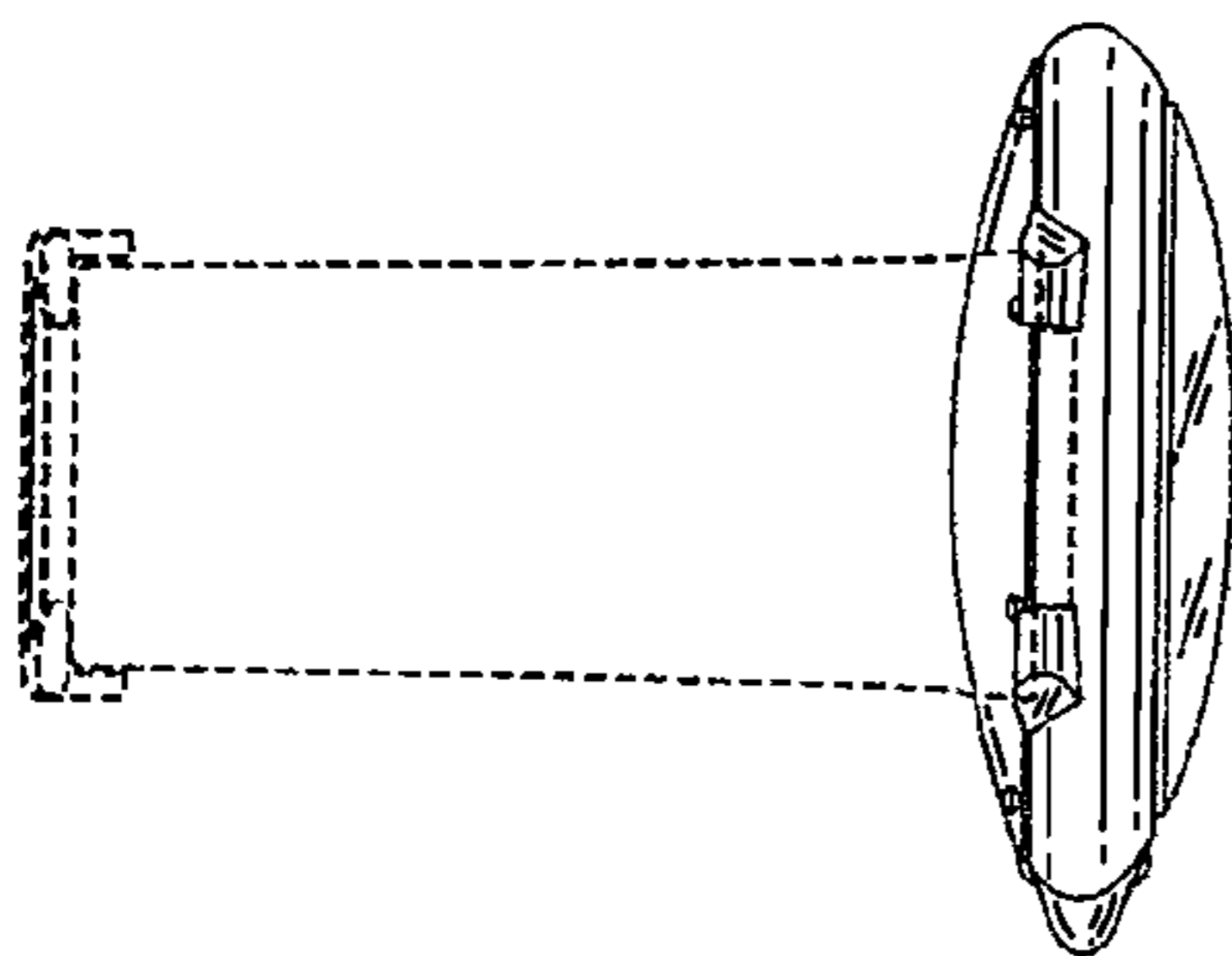


FIG. 6

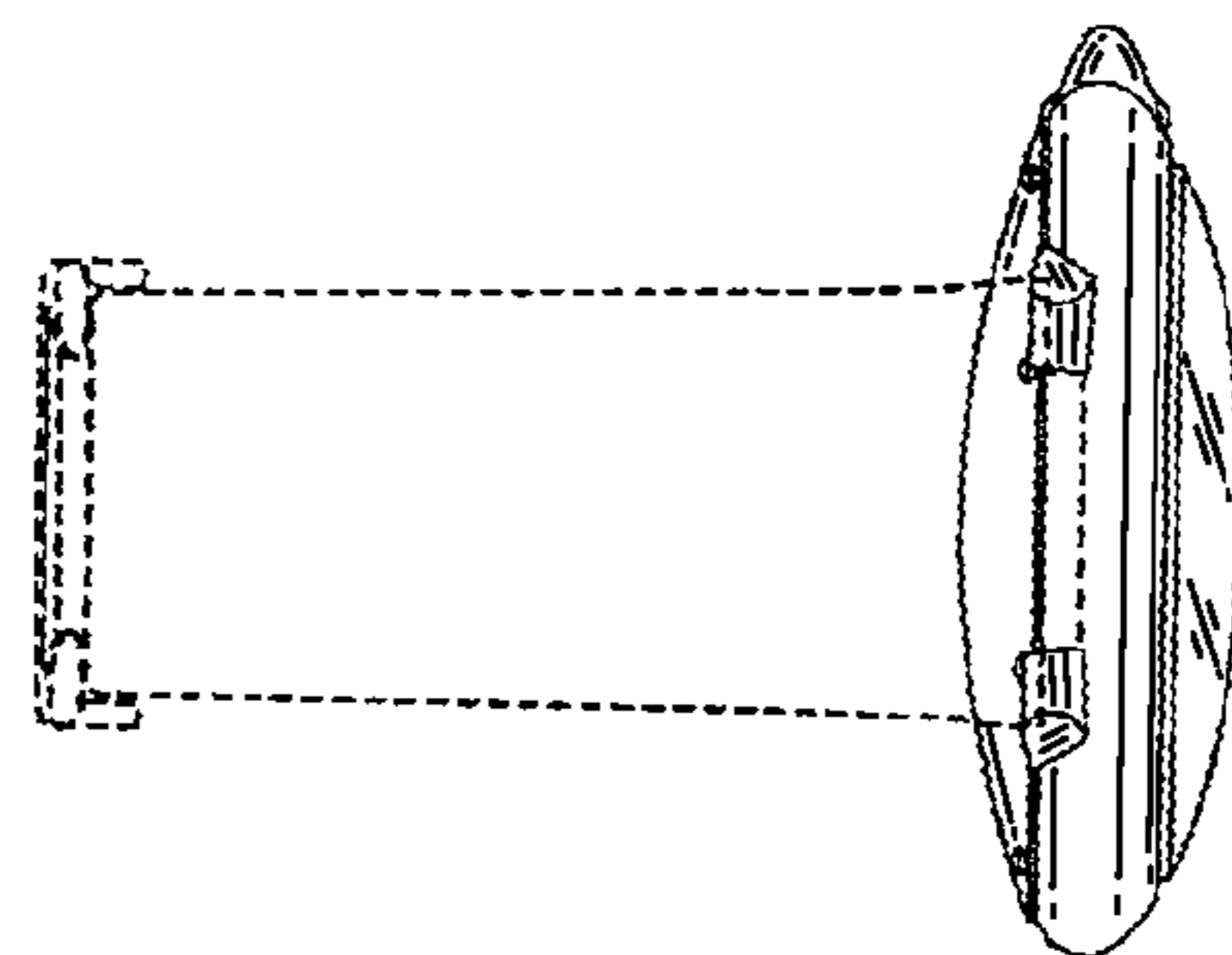


FIG. 7