



US00D565425S

(12) **United States Design Patent**
Liao

(10) **Patent No.:** **US D565,425 S**

(45) **Date of Patent:** **** Apr. 1, 2008**

(54) **WATCH CASE**

(75) Inventor: **Ren Cong Liao**, Shenzhen (CN)

(73) Assignee: **New Heritage Limited**, Hung Hom Kln (HK)

(**) Term: **14 Years**

(21) Appl. No.: **29/224,971**

(22) Filed: **Mar. 8, 2005**

(51) **LOC (8) Cl.** **10-02**

(52) **U.S. Cl.** **D10/30**

(58) **Field of Classification Search** D10/30-39,
D10/122-129; 368/80, 223, 228-229, 232,
368/276, 280-283, 285, 28-30, 21
See application file for complete search history.

(56) **References Cited**

U.S. PATENT DOCUMENTS

D290,347 S *	6/1987	Komatsu	D10/38
D350,288 S *	9/1994	Giardiello	D10/30
D352,006 S *	11/1994	Giardiello	D10/30
D371,077 S *	6/1996	Terashima	D10/30
D373,957 S *	9/1996	Mareschal	D10/30
D384,896 S *	10/1997	Woo	D10/30
D400,804 S *	11/1998	Riley et al.	D10/30
D424,952 S *	5/2000	Porsche et al.	D10/32
D447,063 S *	8/2001	Scheufele	D10/30
D477,234 S *	7/2003	El Kadiri	D10/30

OTHER PUBLICATIONS

Chronograph Wristwatches—To Stop Time, Gerd-R Lang and Reinhard Meis, Schiffer publishings, Ltd. 1993, p. 147, Watch “Bulova ca.1945” #232/233.*

Chronograph Wristwatches—To Stop Time, Gerd-R Lang and Reinhard Meis, Schiffer Publishings, Ltd. 1993, p. 99, Watch “Heuer ca.1940” #74.*

* cited by examiner

Primary Examiner—Janice E. Seeger

Assistant Examiner—Zenia I. Bennett

(74) *Attorney, Agent, or Firm*—Thomas I. Rozsa

(57) **CLAIM**

The ornamental design for a watch case, as shown and described.

DESCRIPTION

FIG. 1 is a perspective view of a watch case when viewed from the right side, showing my new design;

FIG. 2 is a perspective view when viewed from the left side;

FIG. 3 is rear plan view;

FIG. 4 is a front plan view;

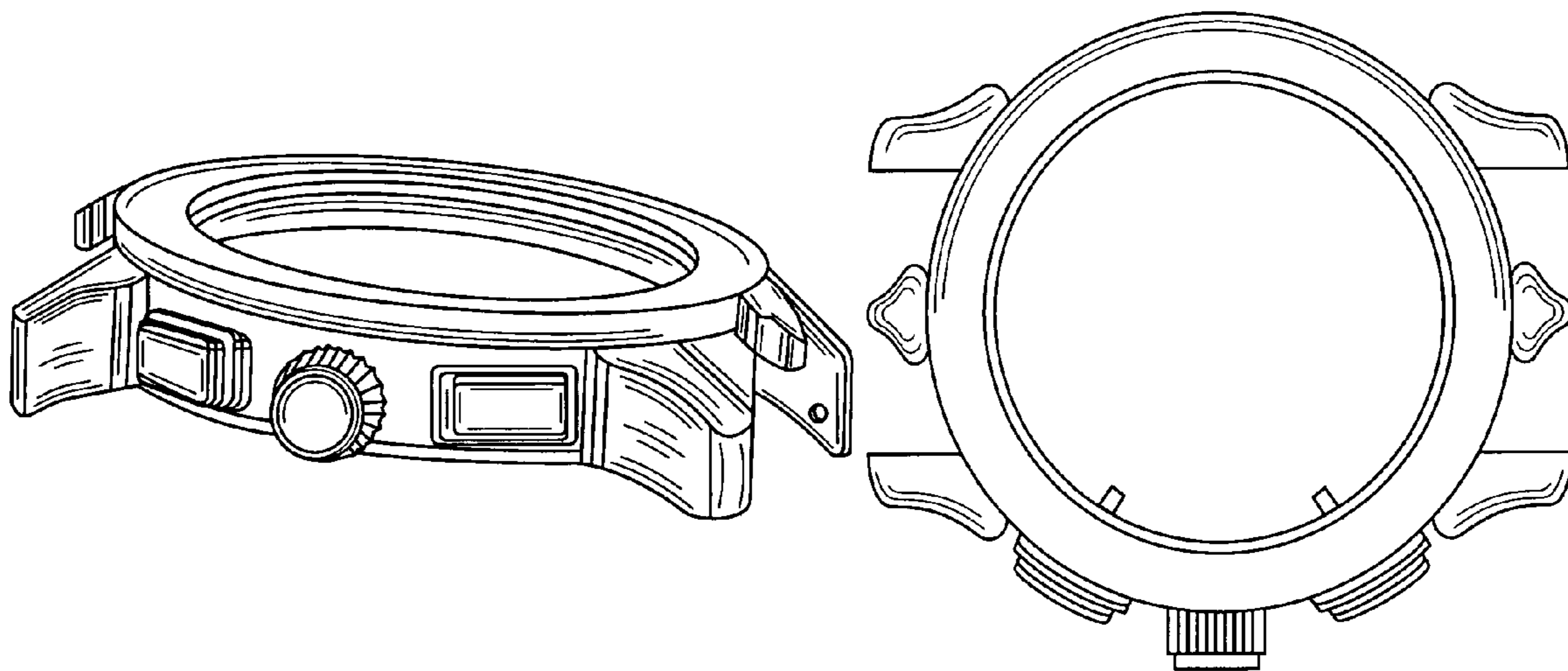
FIG. 5 is a top plan view;

FIG. 6 is a bottom plan view;

FIG. 7 is a side elevational view when viewed from the right side, showing my new design; and,

FIG. 8 is a side elevational view when viewed from the left side.

1 Claim, 4 Drawing Sheets



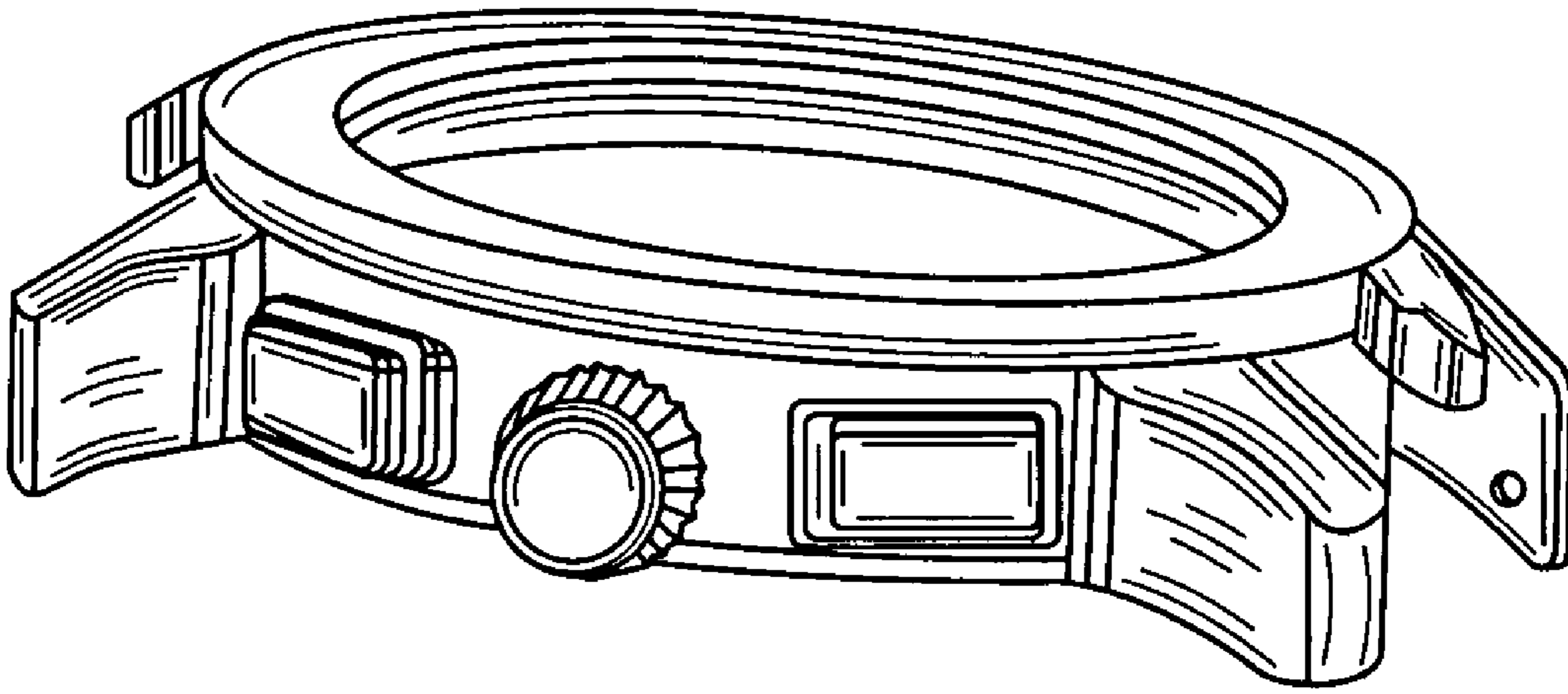


FIG. 1

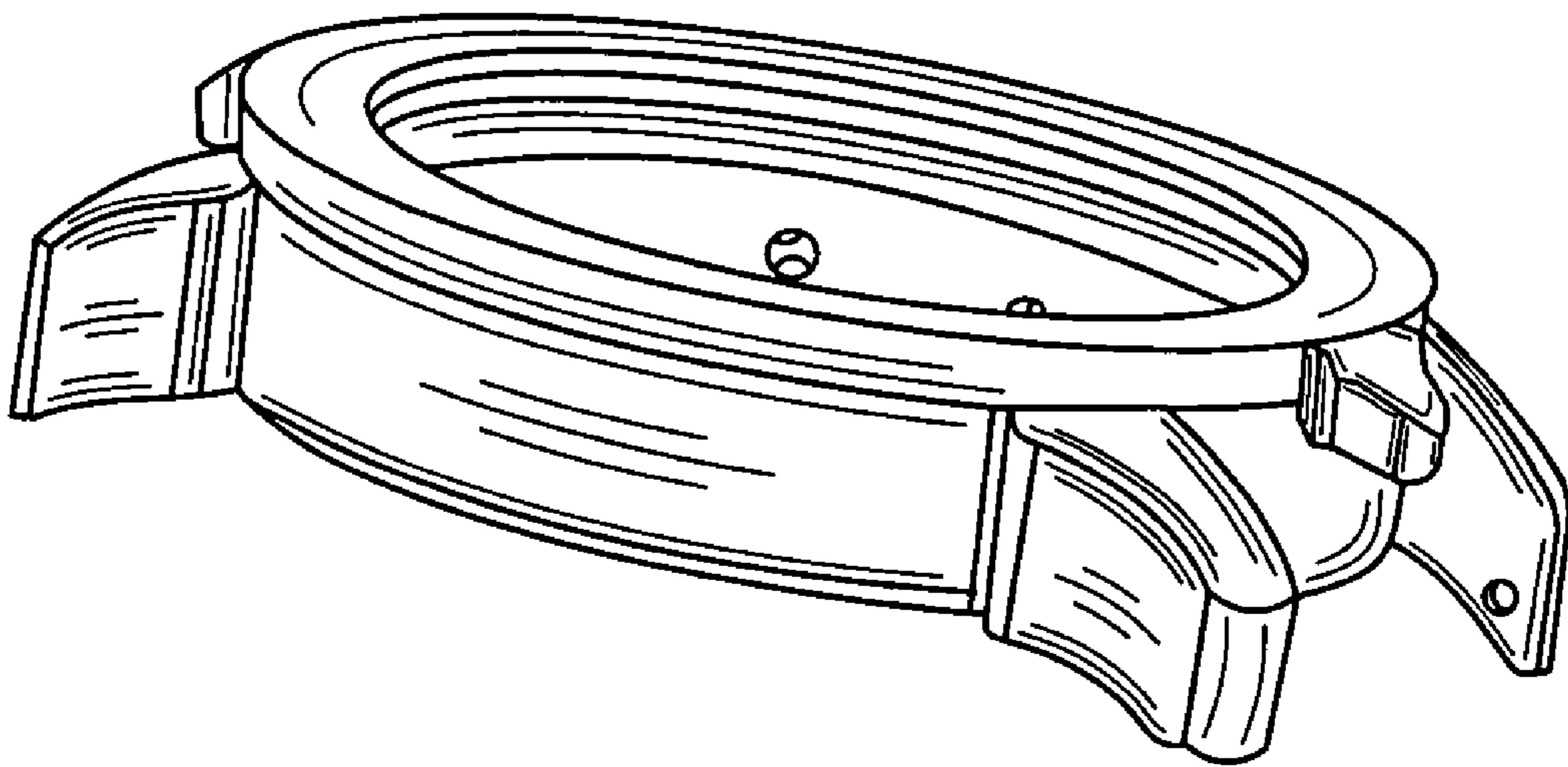


FIG. 2

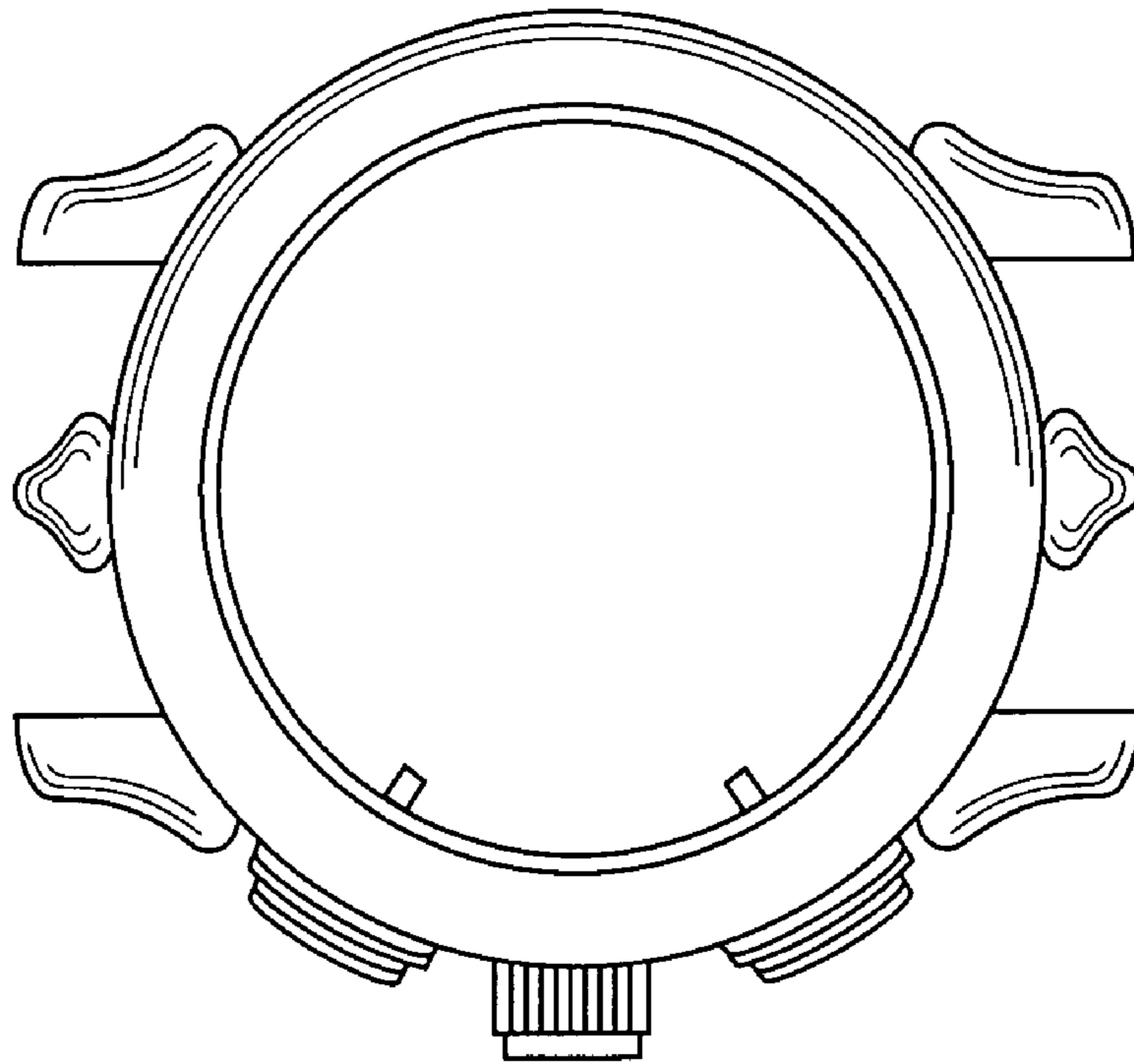


FIG. 3

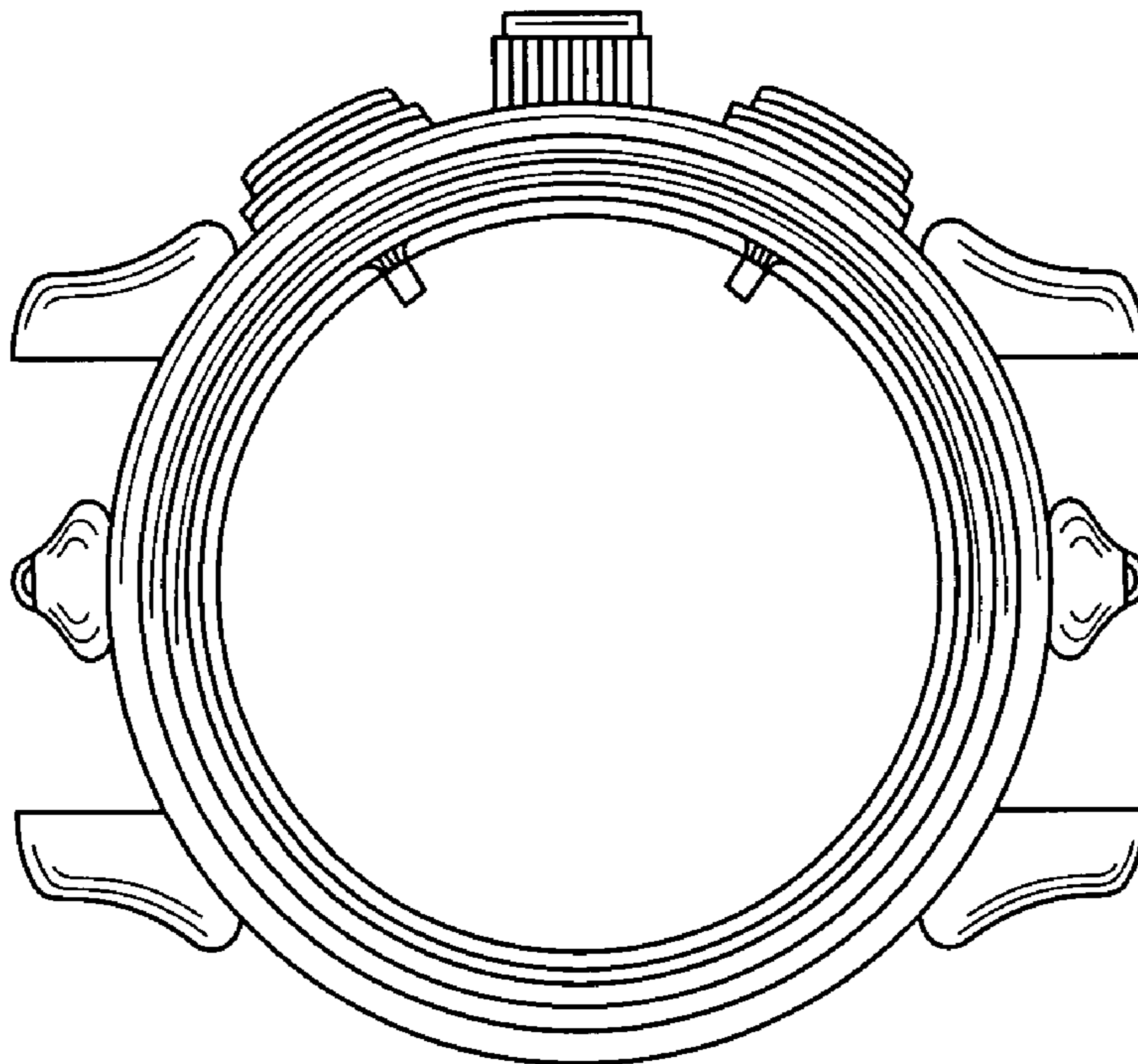


FIG. 4

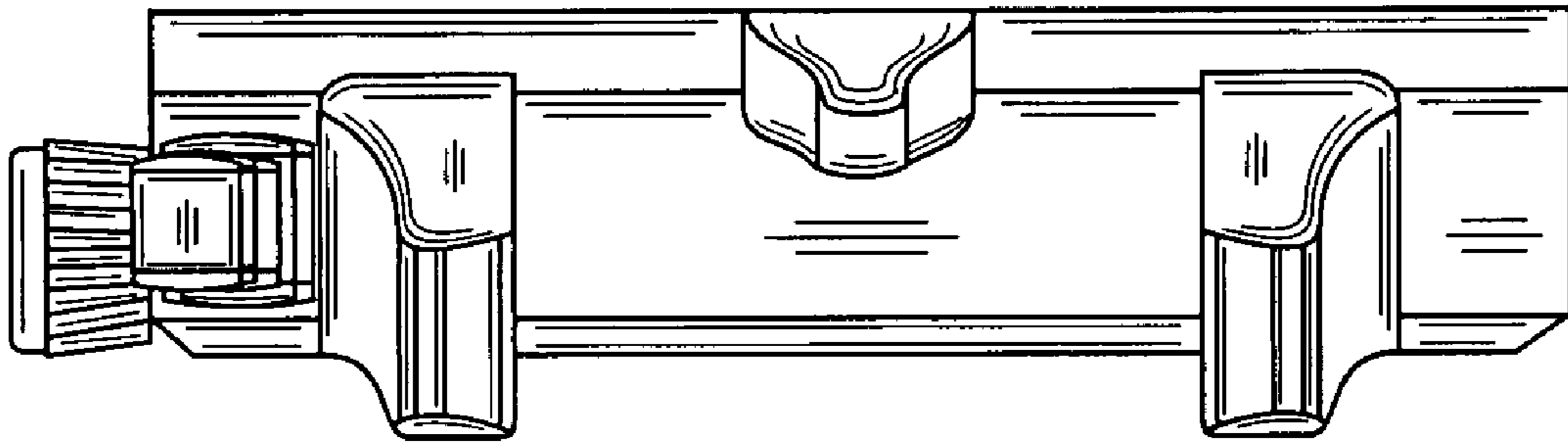


FIG. 5

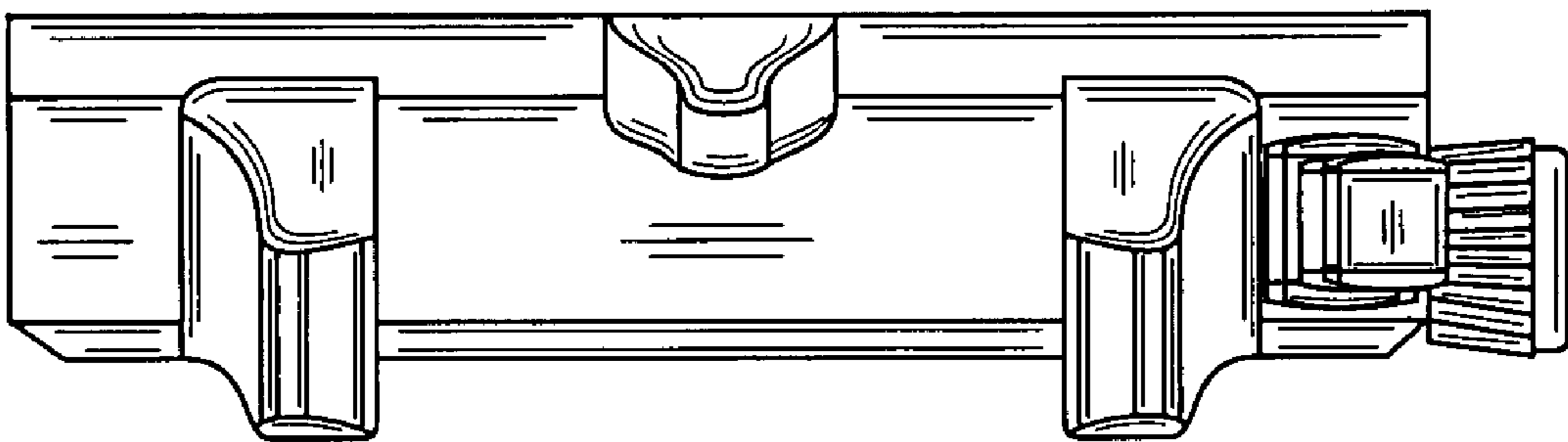


FIG. 6

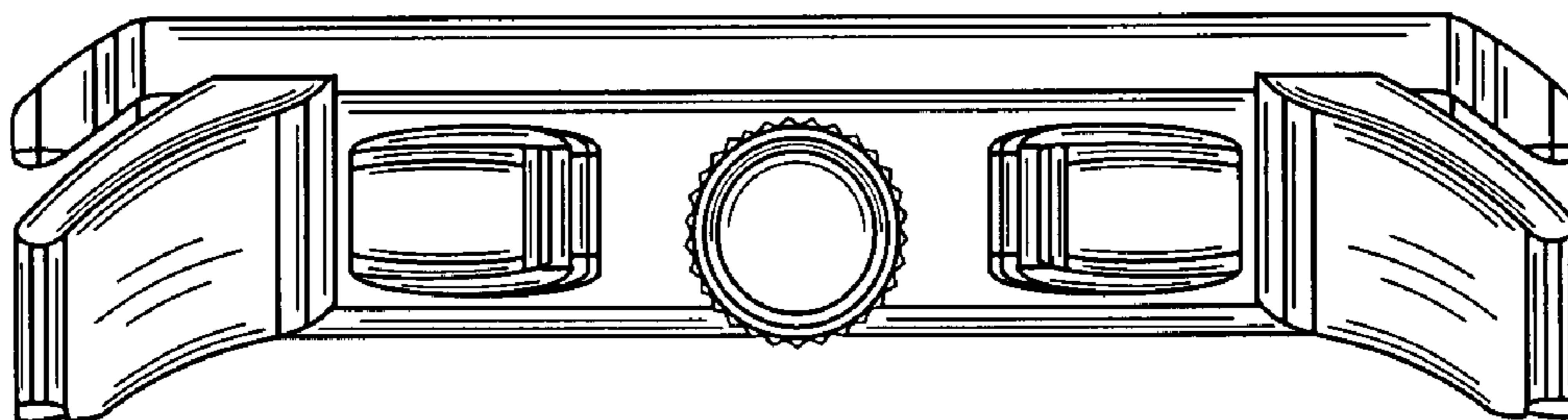


FIG. 7

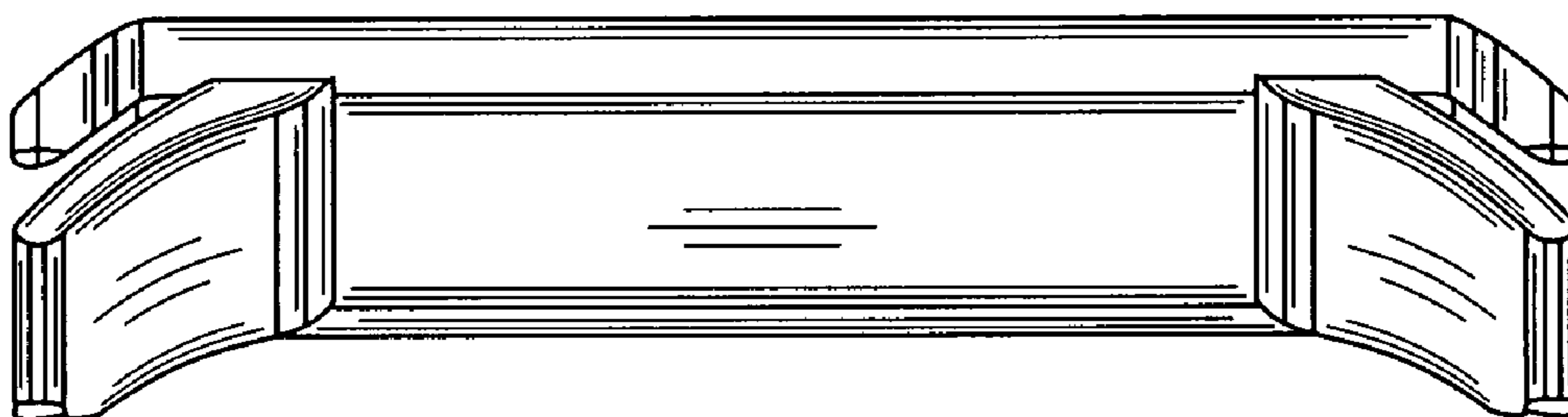


FIG. 8