



US00D565418S

(12) **United States Design Patent**  
**Darr et al.**

(10) **Patent No.:** **US D565,418 S**

(45) **Date of Patent:** **\*\* Apr. 1, 2008**

(54) **PLASTIC CONTAINER**

(75) Inventors: **Richard C. Darr**, Medina, OH (US);  
**Richard A. Lovelace, Jr.**, Akron, OH  
(US); **Christopher E. Kaminski**, North  
Royalton, OH (US); **James F.**  
**McManus**, Canton, MI (US)

(73) Assignee: **Plastipak Packaging**, Plymouth, MI  
(US)

(\*\*) Term: **14 Years**

(21) Appl. No.: **29/293,167**

(22) Filed: **Nov. 7, 2007**

**Related U.S. Application Data**

(62) Division of application No. 29/228,997, filed on May  
2, 2005.

(51) **LOC (8) Cl.** ..... **09-01**

(52) **U.S. Cl.** ..... **D9/552; D9/556**

(58) **Field of Classification Search** ..... D9/502,  
D9/516, 537-541, 549-550, 552, 556-558,  
D9/563, 565, 569-570, 574-575; 215/375,  
215/382-384, 396, 398

See application file for complete search history.

(56) **References Cited**

**U.S. PATENT DOCUMENTS**

5,409,750	A *	4/1995	Hamada et al. ....	215/384	X
D379,306	S *	5/1997	Peykoff .....	D9/502	
D396,640	S *	8/1998	Conrad et al. ....	D9/502	
D397,941	S *	9/1998	Lauth .....	D9/502	
5,829,614	A *	11/1998	Collette et al. ....	215/375	
D404,306	S *	1/1999	Steinke .....	D9/502	
D409,493	S *	5/1999	Waggaman et al. ....	D9/538	X

5,906,286	A *	5/1999	Matsuno et al. ....	215/375	
D414,112	S *	9/1999	Waggaman et al. ....	D9/552	X
D417,156	S *	11/1999	Veyssiere .....	D9/552	
D480,650	S *	10/2003	Moore et al. ....	D9/540	
D494,473	S *	8/2004	Yourist .....	D9/516	
D506,138	S *	6/2005	Zboch et al. ....	D9/539	
D506,139	S *	6/2005	Zboch et al. ....	D9/539	
D506,923	S *	7/2005	Zboch et al. ....	D9/538	
D510,027	S *	9/2005	Zboch et al. ....	D9/516	
D510,271	S *	10/2005	Mero et al. ....	D9/538	
D517,417	S *	3/2006	Livingston et al. ....	D9/552	
D522,874	S *	6/2006	Livingston et al. ....	D9/552	
D527,267	S *	8/2006	Zboch et al. ....	D9/516	
D527,635	S *	9/2006	Zboch et al. ....	D9/516	

\* cited by examiner

*Primary Examiner*—Carol Rademaker

(74) *Attorney, Agent, or Firm*—Robert H. Bachman

(57) **CLAIM**

The ornamental design for a plastic container, as shown and  
described.

**DESCRIPTION**

FIG. 1 is a top, front, and right side perspective view of the  
plastic container;

FIG. 2 is a left side elevational view thereof;

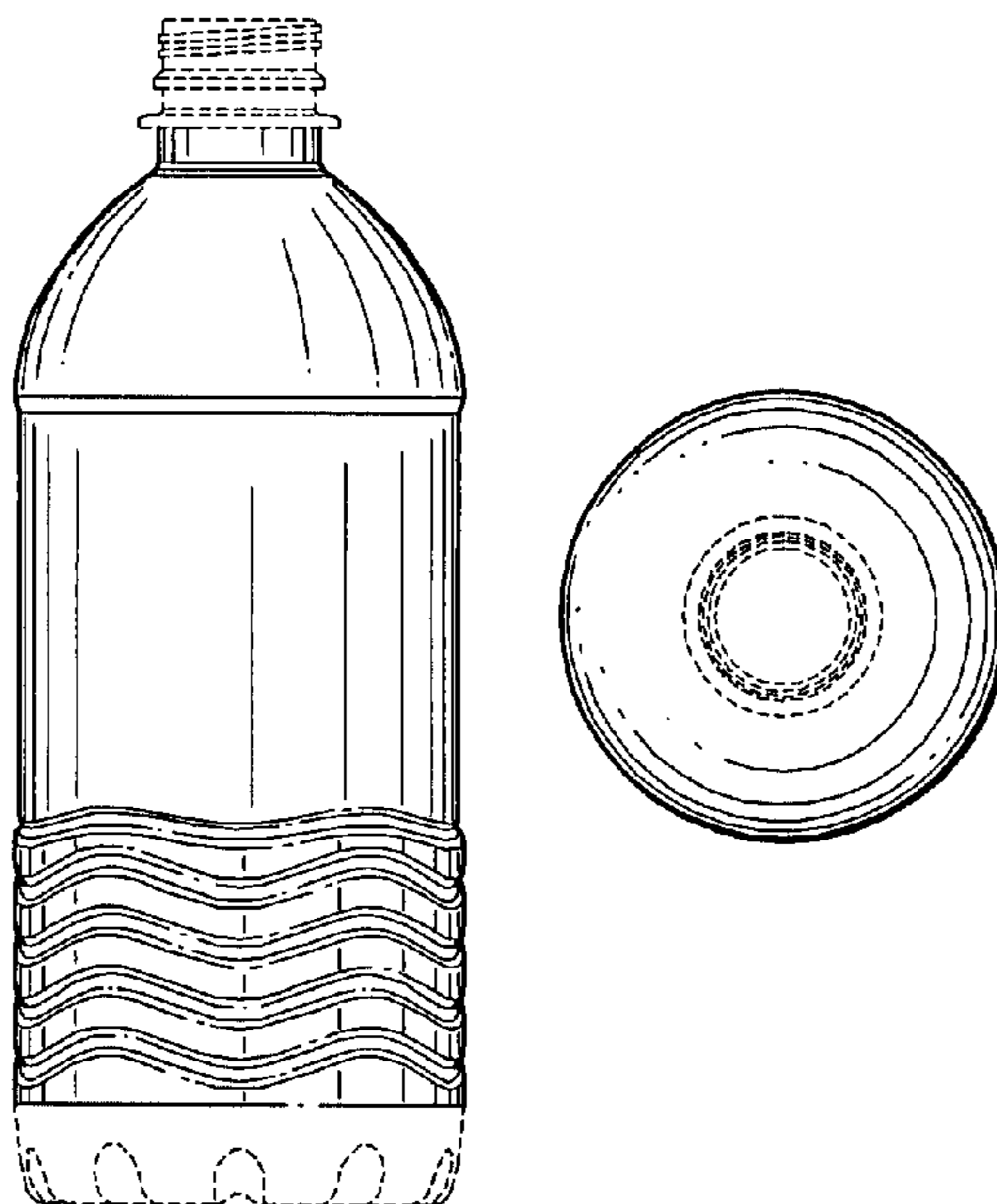
FIG. 3 is a bottom plan view thereof, with the central portion  
shown as unclaimed environment;

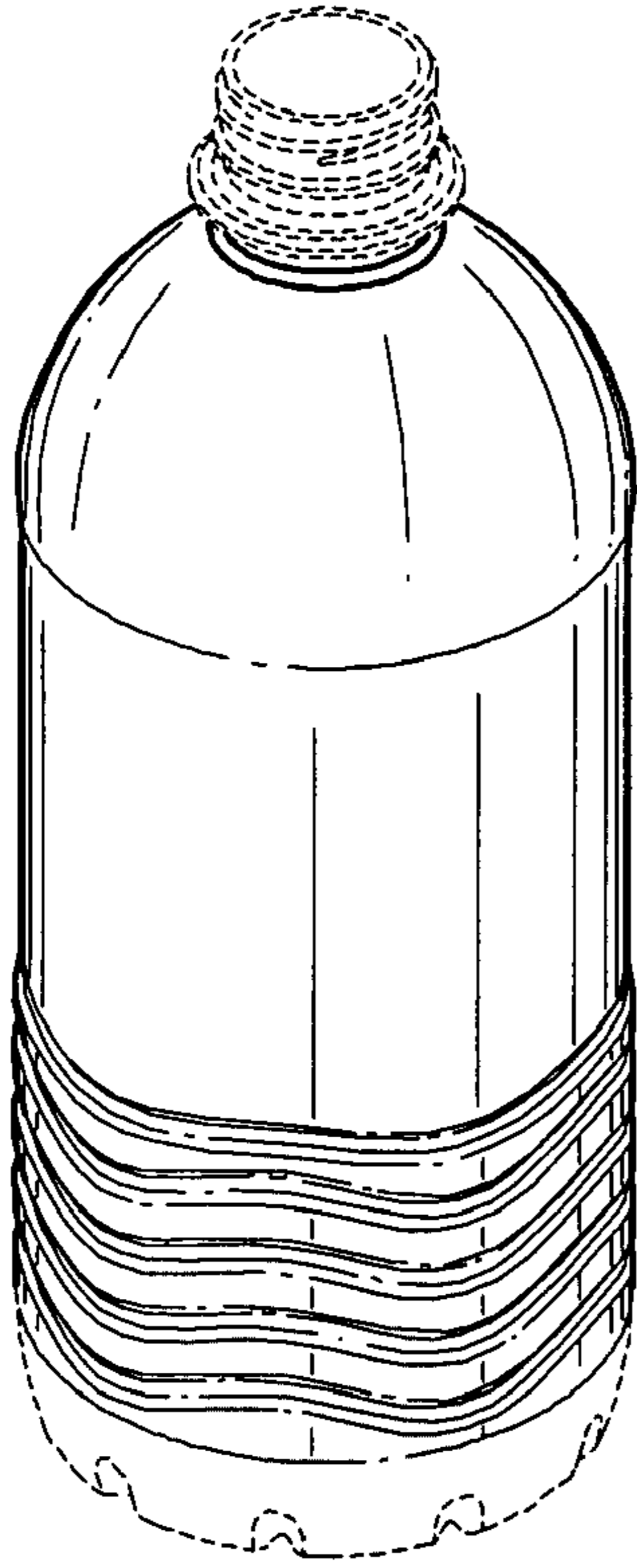
FIG. 4 is a bottom plan view thereof, with the central portion  
shown in an alternate unclaimed environment; and,

FIG. 5 is a top plan view thereof.

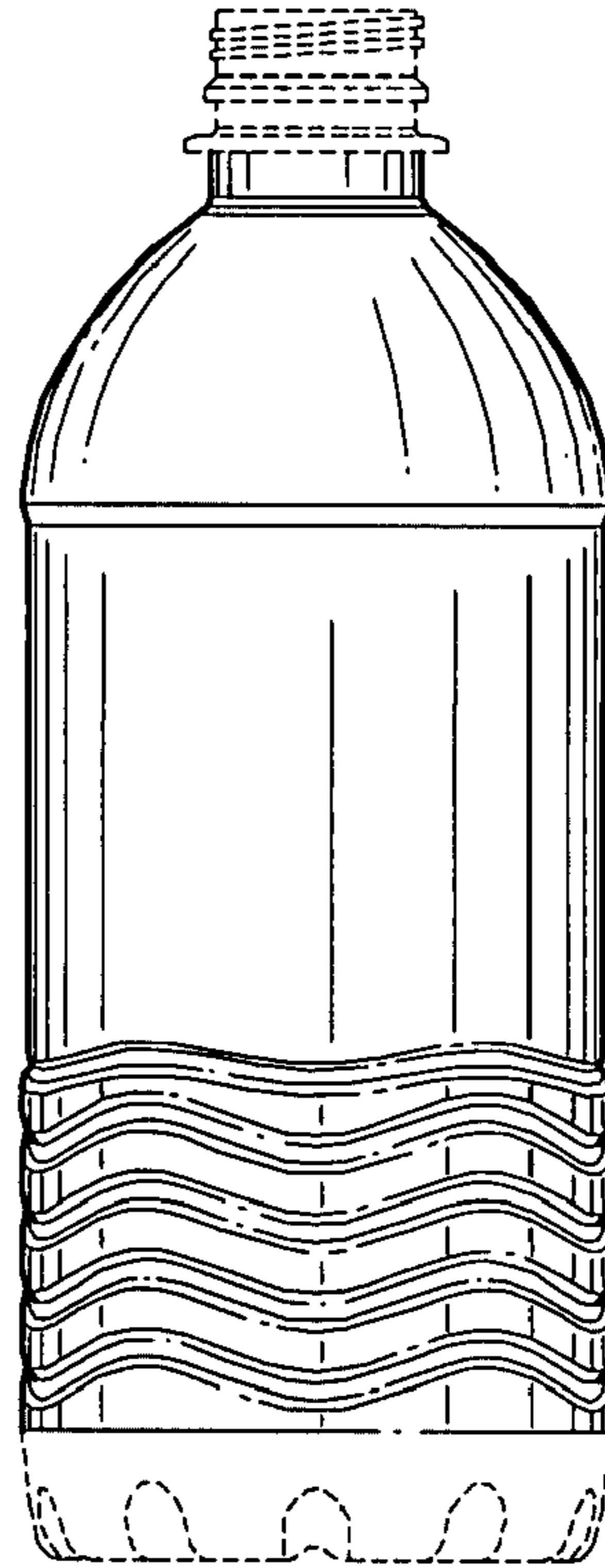
The broken lines in the drawings depict probable environ-  
ment only, and form no part of the claimed design..

**1 Claim, 1 Drawing Sheet**

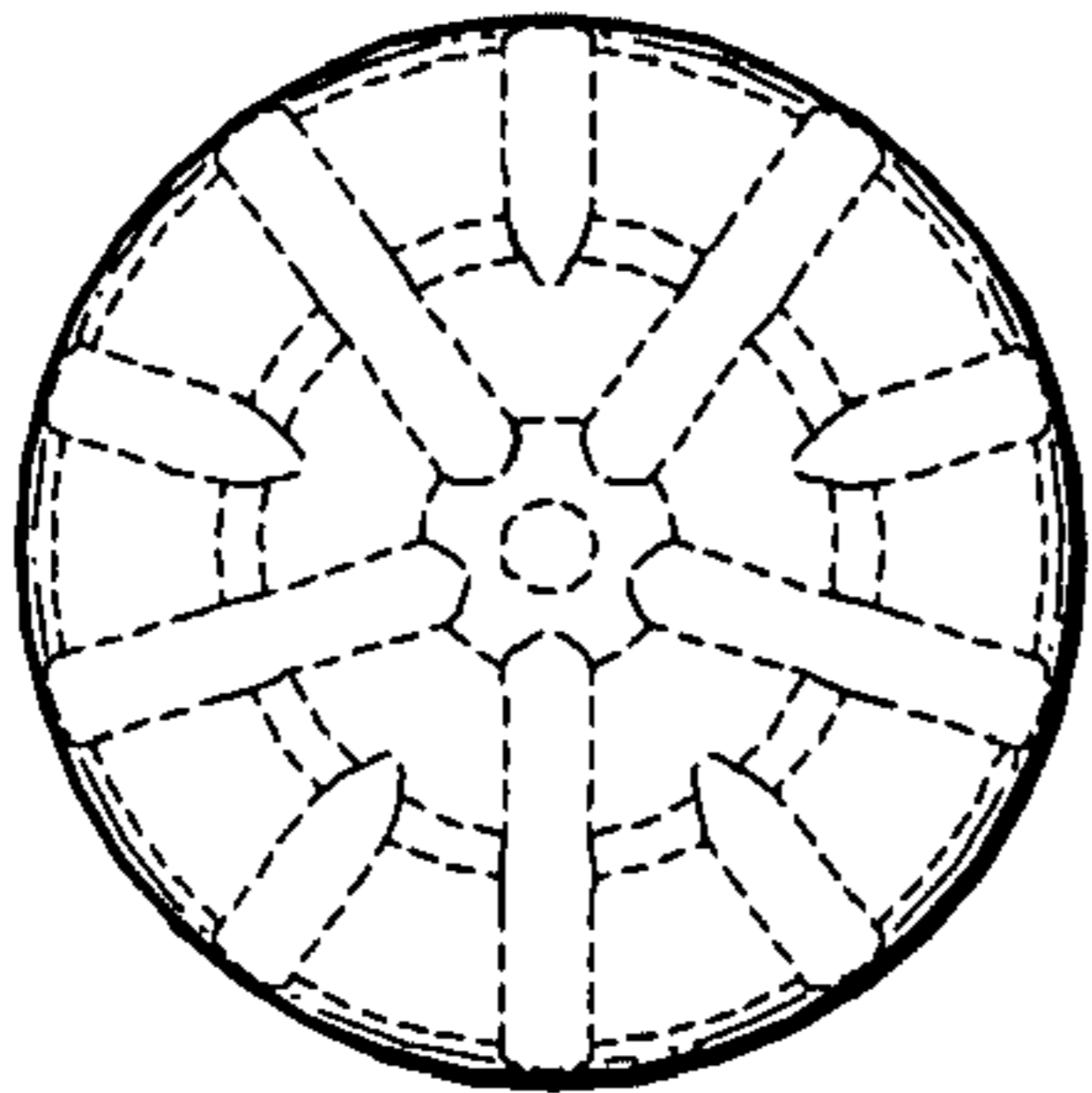




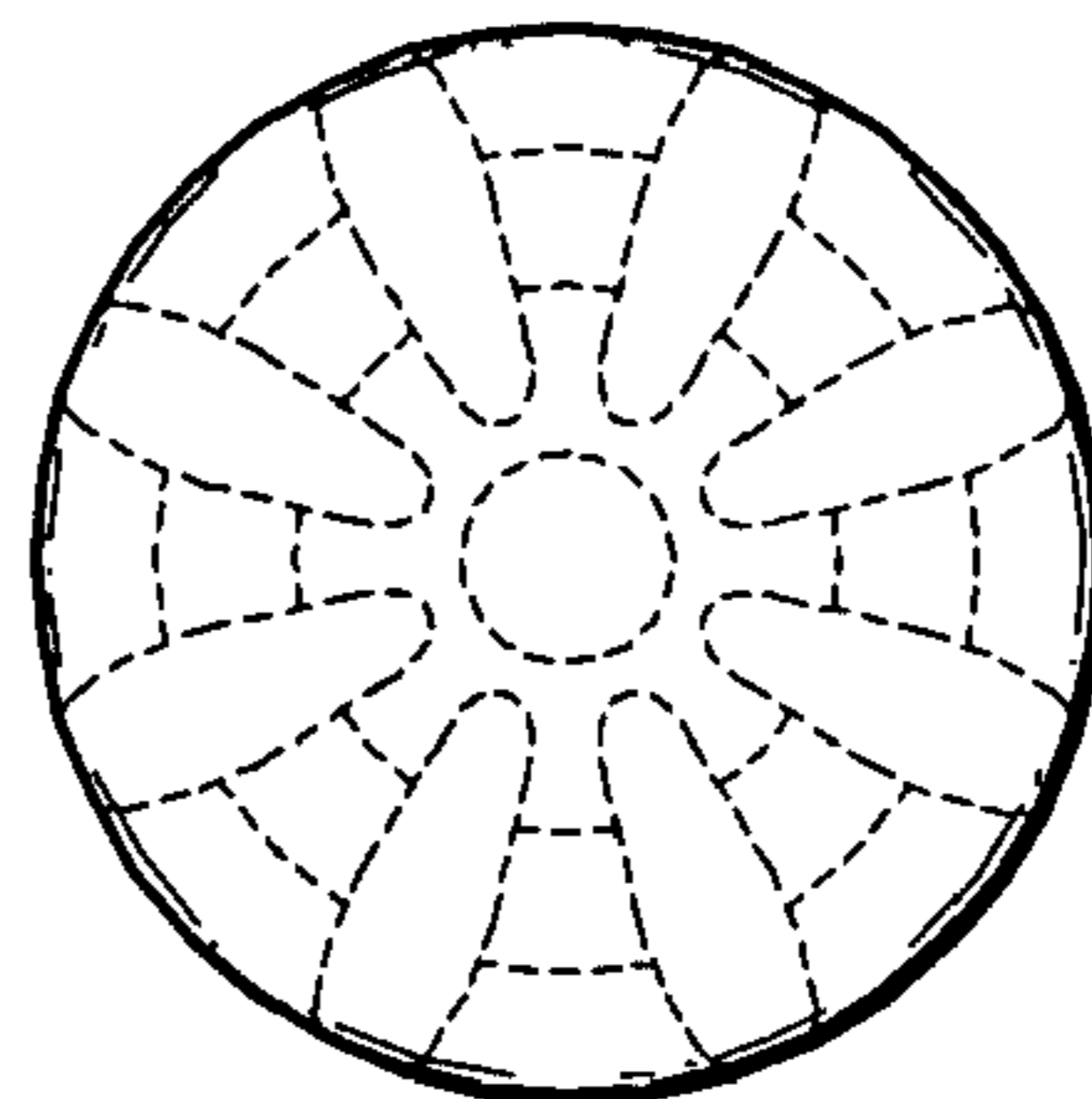
*FIG. 1*



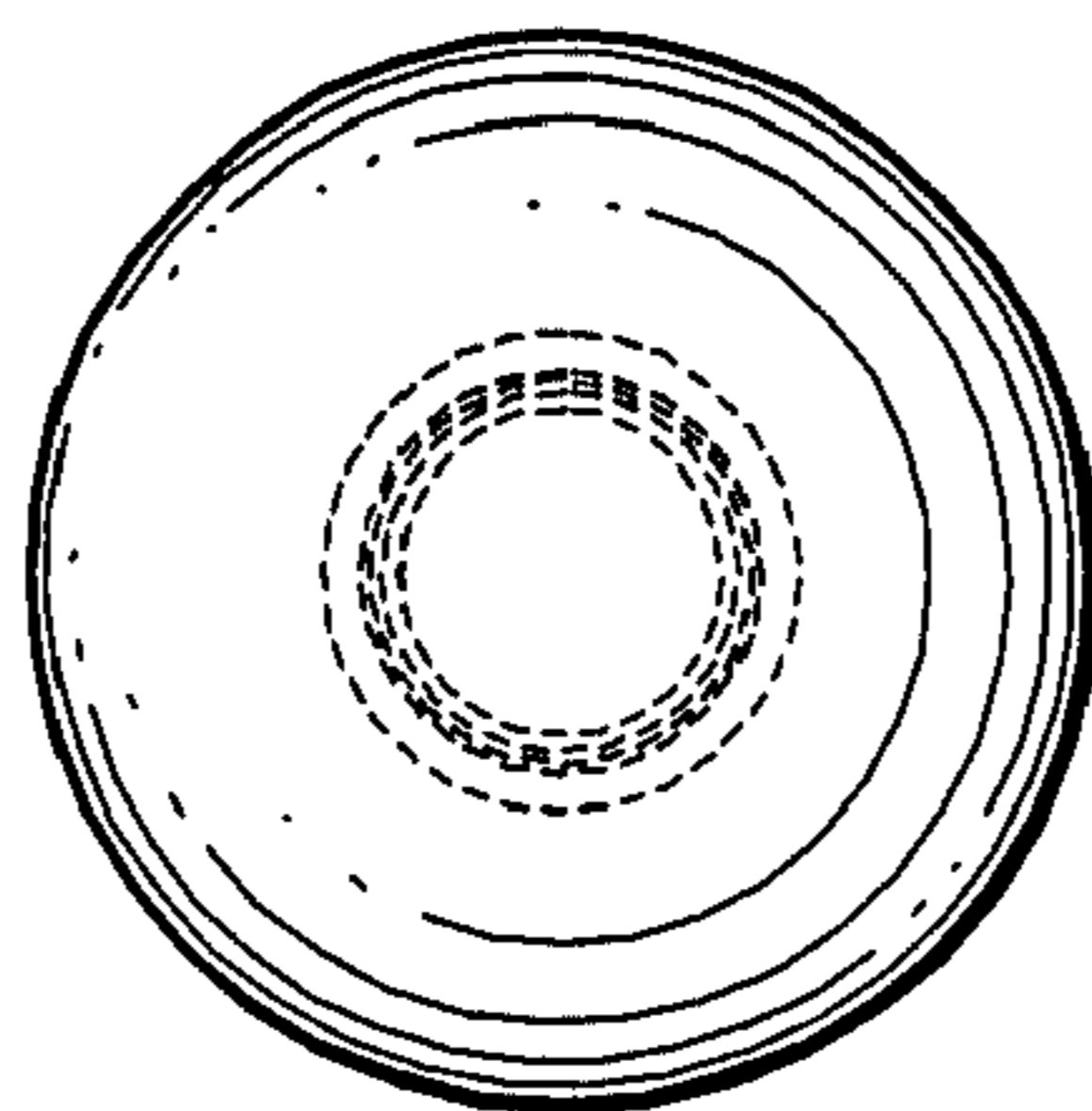
*FIG. 2*



*FIG. 3*



*FIG. 4*



*FIG. 5*