

US00D565412S

(12) **United States Design Patent**
Fuller

(10) **Patent No.:** **US D565,412 S**

(45) **Date of Patent:** **** Apr. 1, 2008**

(54) **JACKETED CONTAINER WITH WINDOW**

D522,378 S * 6/2006 Honda D9/689
D547,661 S * 7/2007 Blasko et al. D9/529

(76) Inventor: **Mark A. Fuller**, P.O. Box 216,
Sandpoint, ID (US) 83864

* cited by examiner

(**) Term: **14 Years**

Primary Examiner—Ian Simmons
Assistant Examiner—Dana L Sipos

(21) Appl. No.: **29/266,702**

(57) **CLAIM**

(22) Filed: **Sep. 28, 2006**

I claim the ornamental design for a jacketed container with window, as shown and described.

(51) **LOC (8) Cl.** **09-01**

(52) **U.S. Cl.** **D9/503; D9/517; D9/454**

(58) **Field of Classification Search** D9/500,
D9/502–504, 519, 529, 549, 557–558, 682,
D9/686–691, 694, 900; D28/76, 78, 91,
D28/91.1; 220/660–662, 669, 675; 215/379–383;
D24/222–224

DESCRIPTION

See application file for complete search history.

FIG. 1 is a top, front, right side exploded perspective view of a jacketed container with window showing my new design;

FIG. 2 is a bottom perspective view of the cap portion with the container portion removed for ease of illustration;

FIG. 3 is a top plan view thereof;

FIG. 4 is rear elevational view of the jacketed container with window of FIG. 1, shown in the closed position;

FIG. 5 is a left side elevational view thereof;

FIG. 6 is a right side elevational view thereof; and,

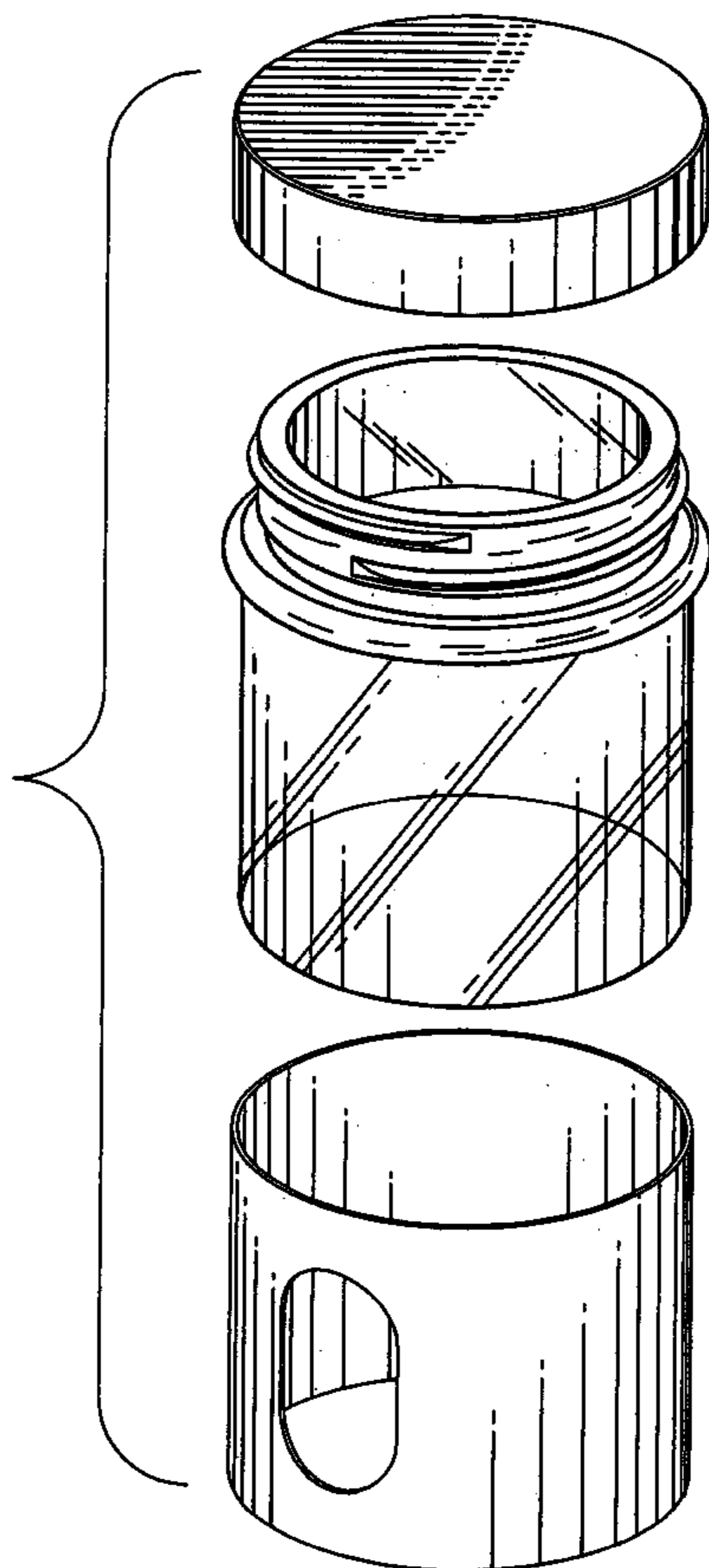
FIG. 7 is a front elevational view thereof.

(56) **References Cited**

U.S. PATENT DOCUMENTS

- 2,076,549 A * 4/1937 Conner 215/6
- 3,244,313 A * 4/1966 Wayne 220/288
- D400,787 S * 11/1998 Keener D9/719
- D441,648 S * 5/2001 Gidlund et al. D9/424
- D444,702 S * 7/2001 Castleberry, II D9/746
- D480,307 S * 10/2003 Canamasas Puigbo D9/504
- D493,721 S * 8/2004 Puigbo D9/504

1 Claim, 3 Drawing Sheets



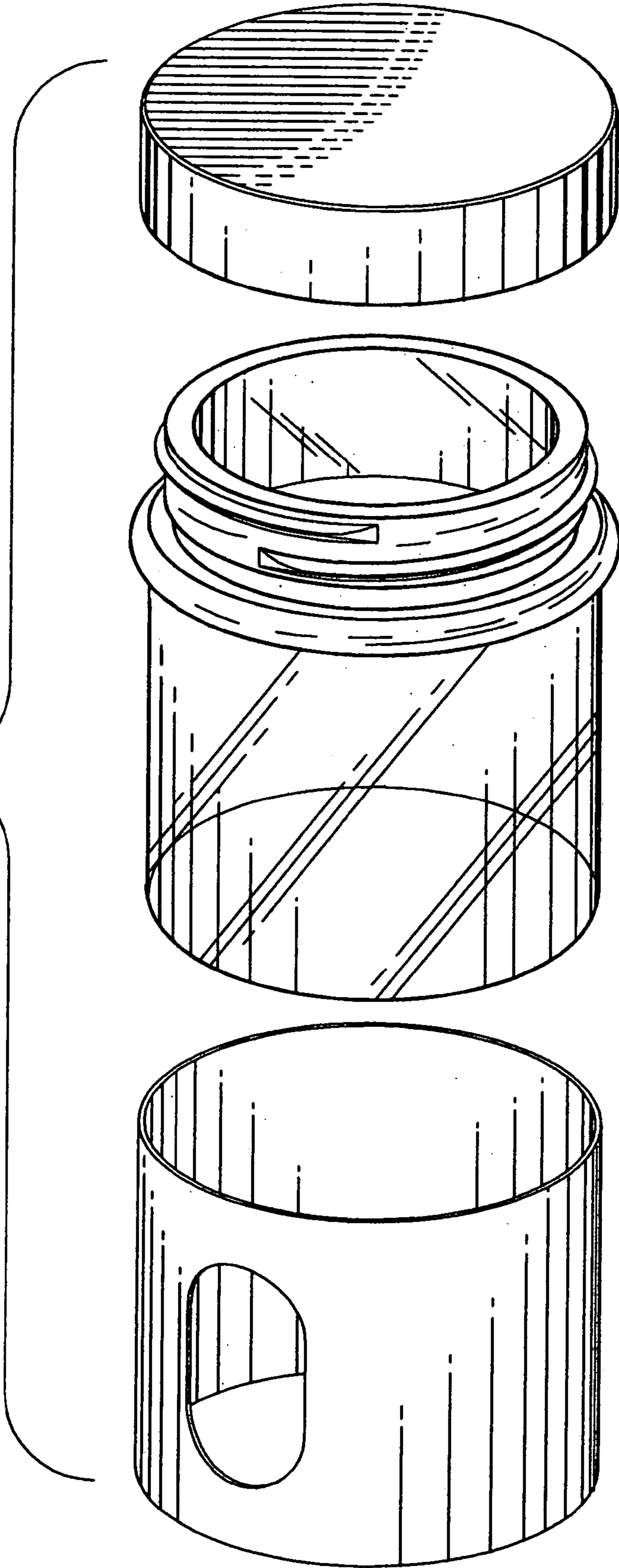


FIG. 1

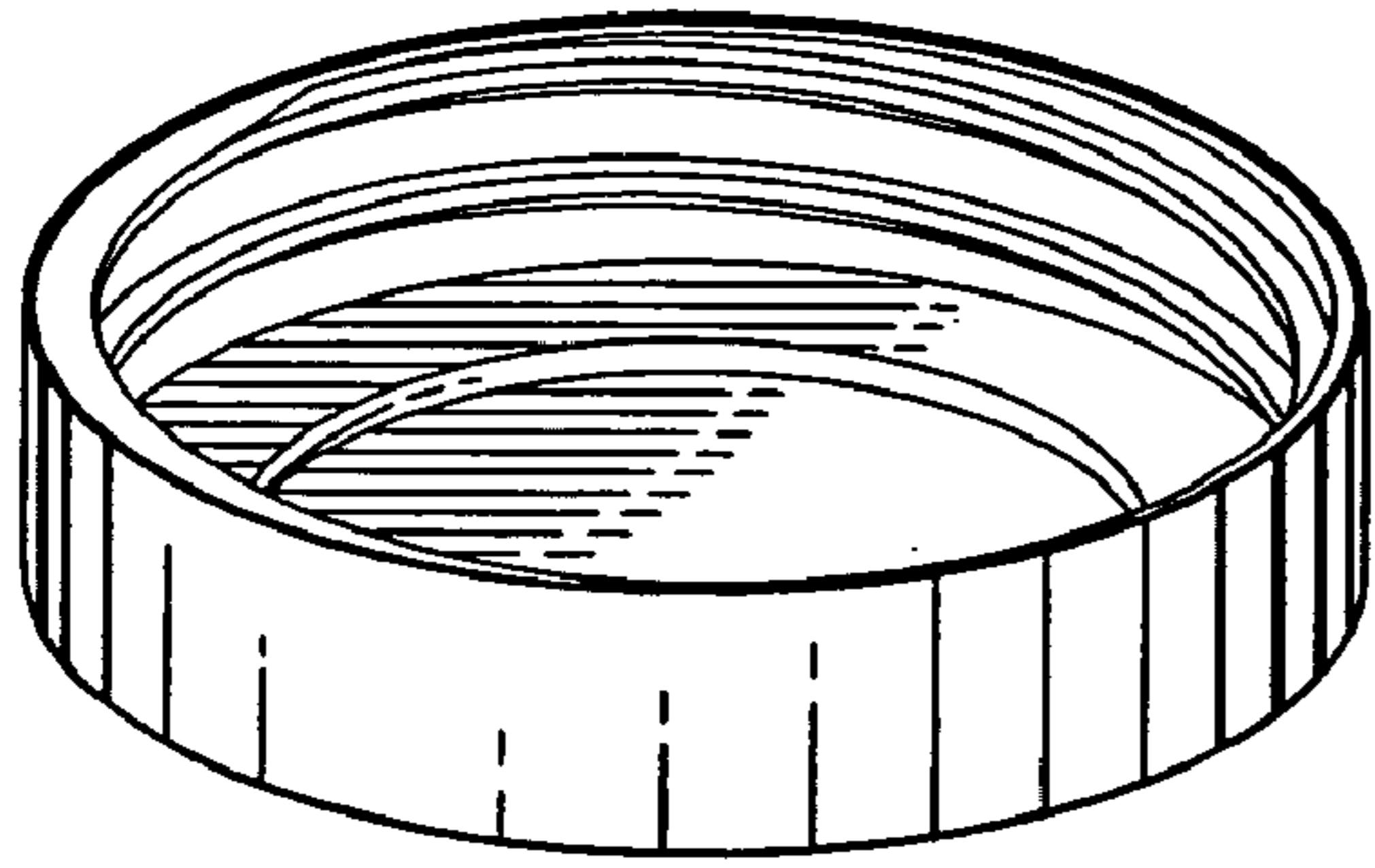


FIG. 2

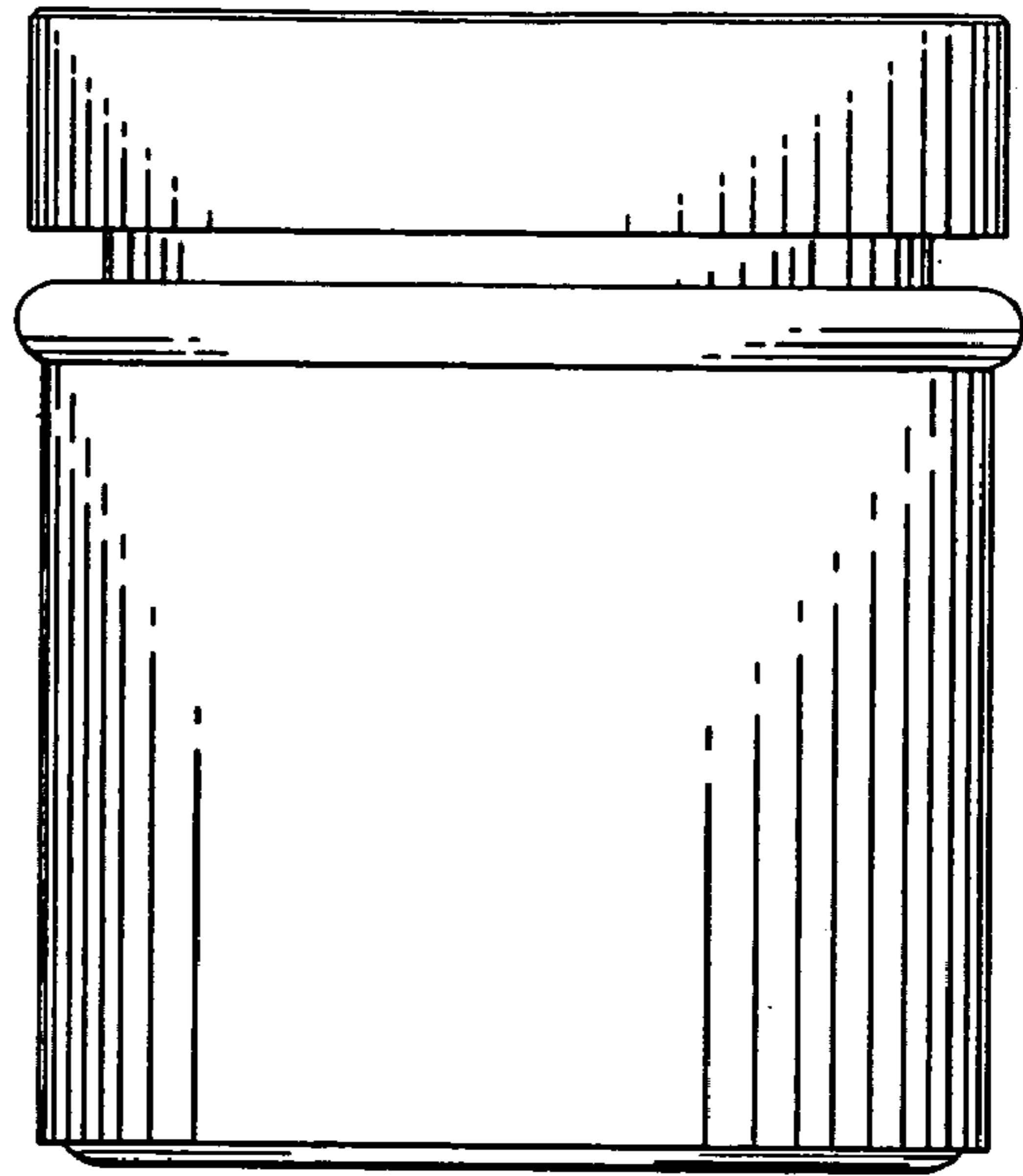


FIG. 4

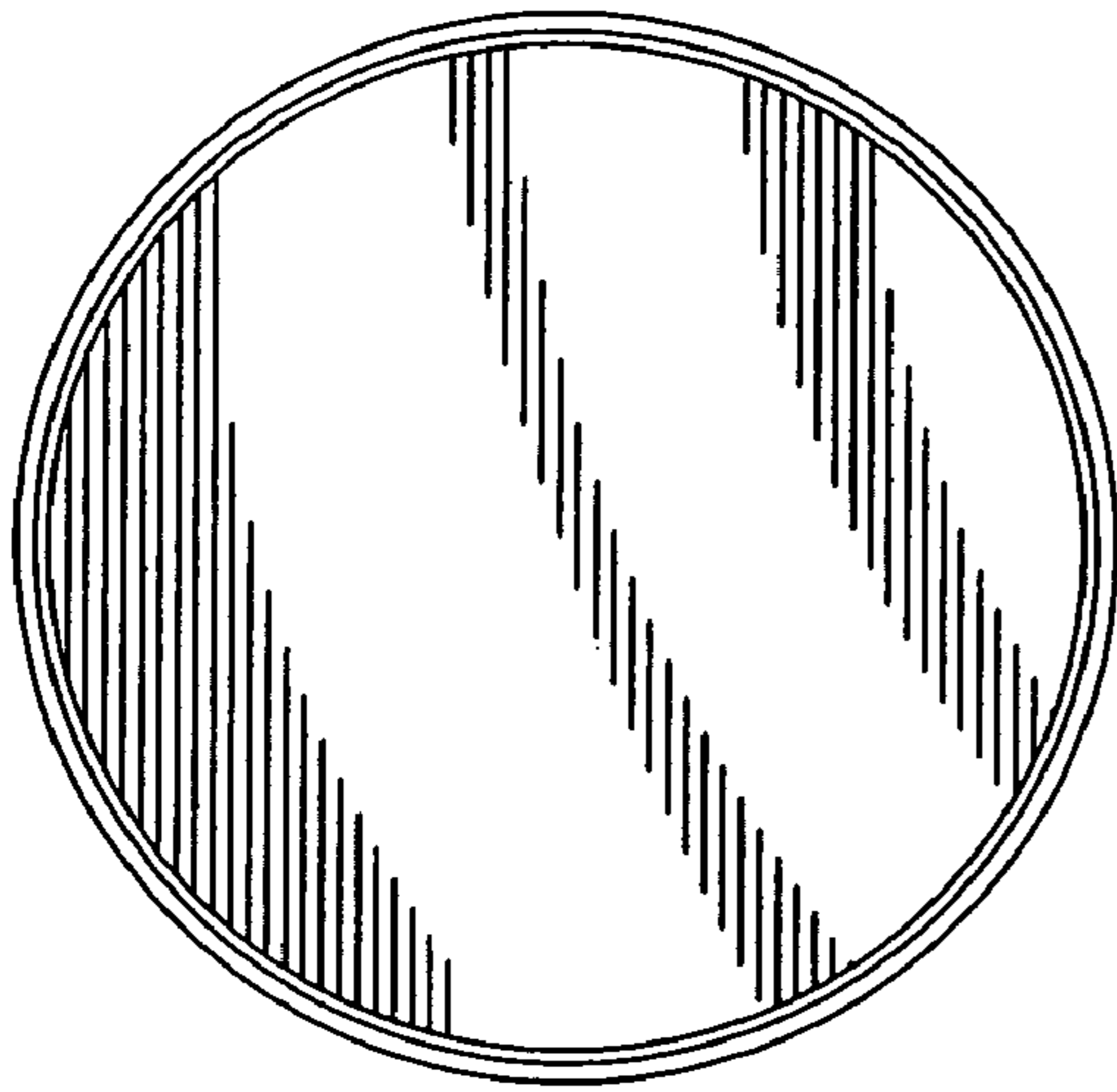


FIG. 3

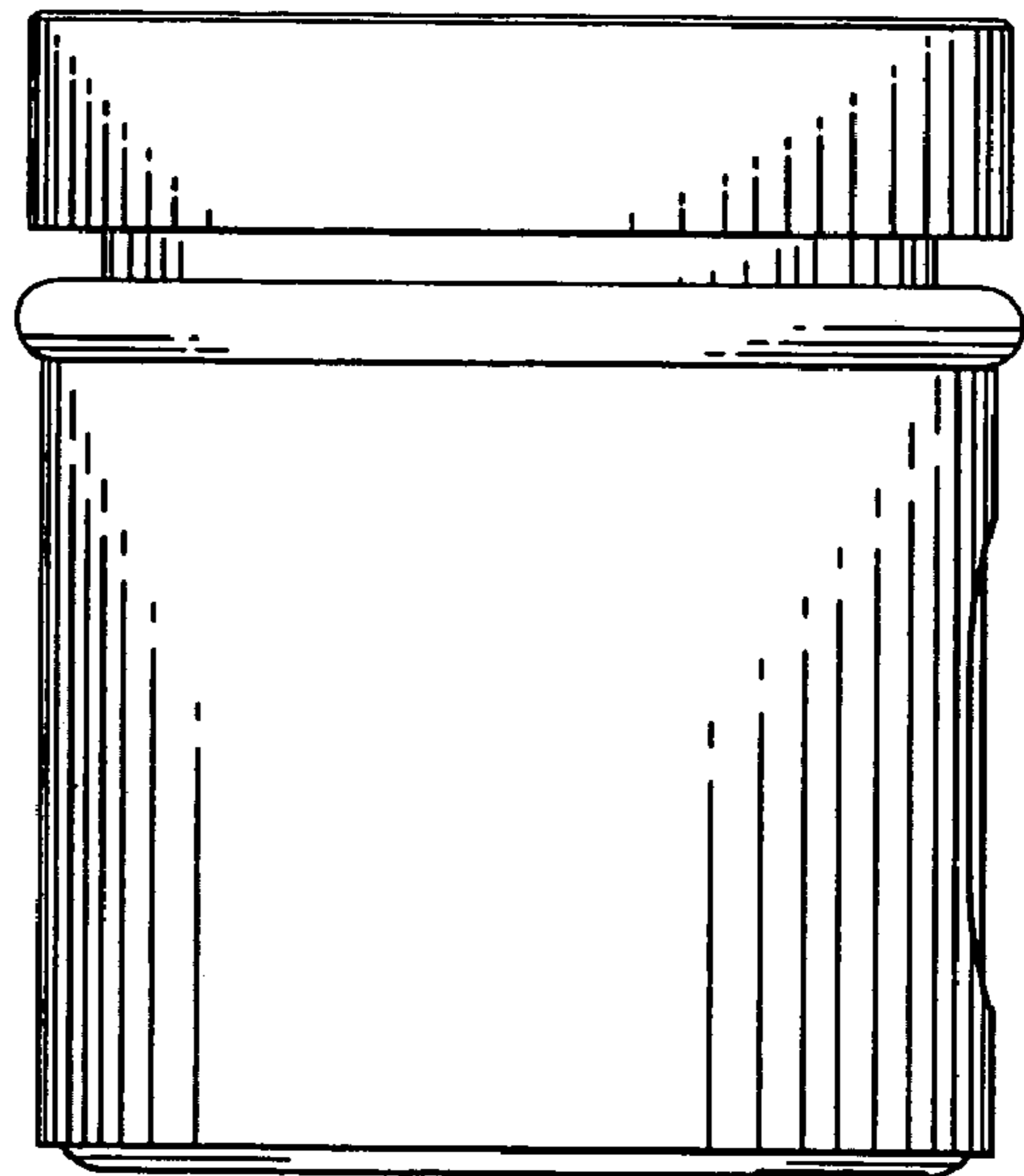


FIG. 5

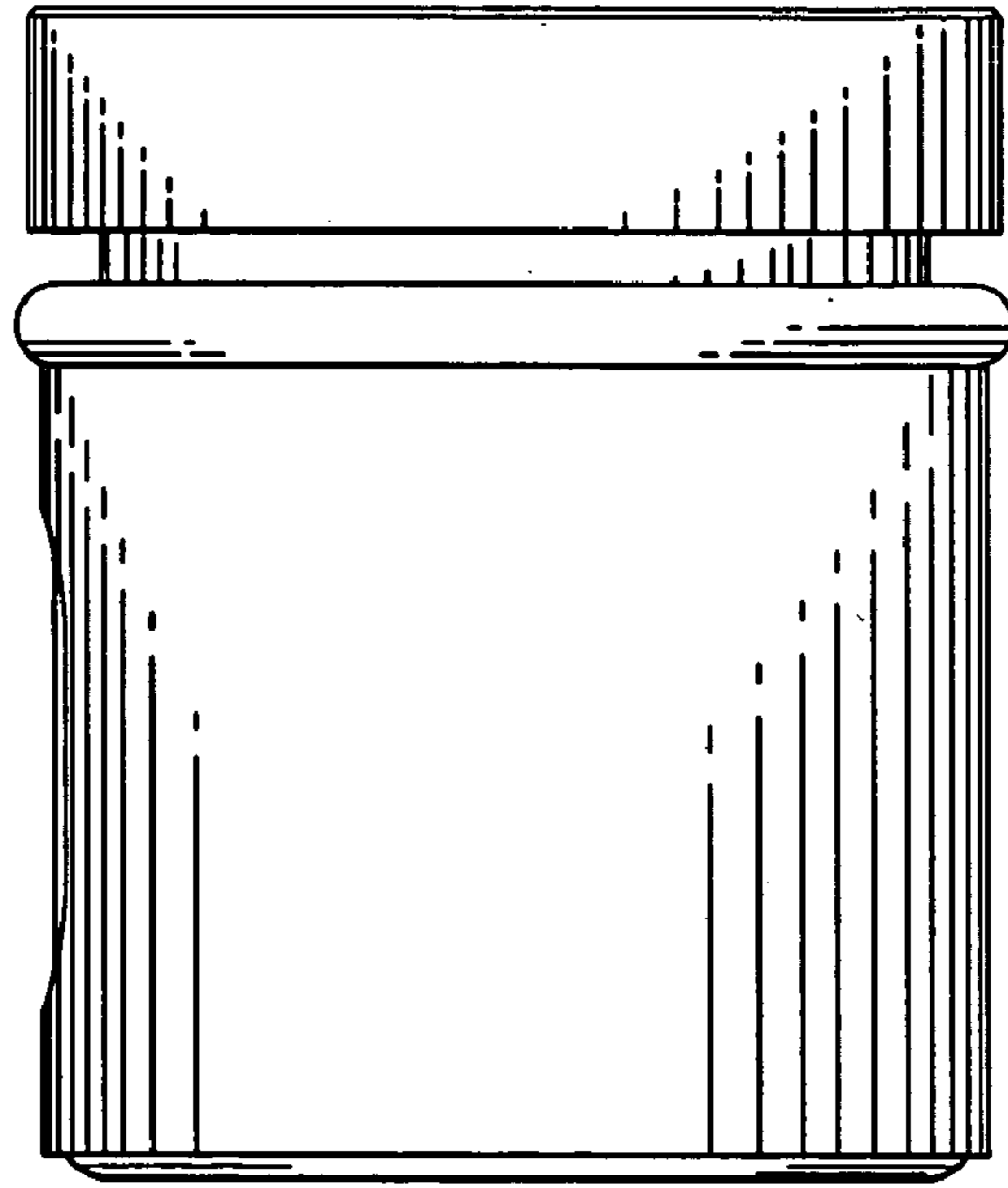


FIG. 6

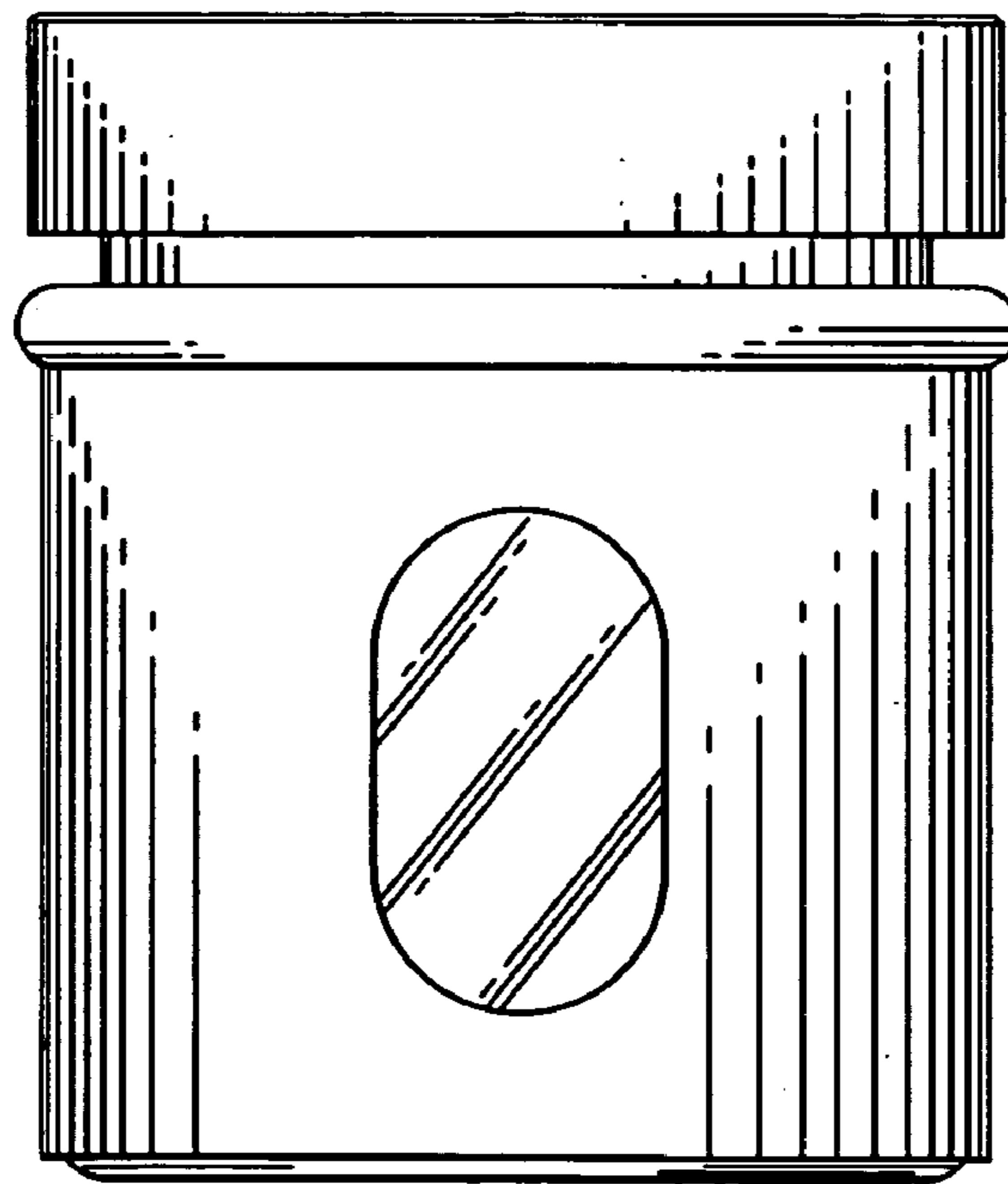


FIG. 7