



US00D565411S

(12) **United States Design Patent** (10) **Patent No.:** **US D565,411 S**
Burke et al. (45) **Date of Patent:** **** Apr. 1, 2008**

(54) **HANG TAG**

(75) Inventors: **Shawn A Burke**, Chicago, IL (US);
Robert D. Wooster, Jr., Chicago, IL (US)

(73) Assignee: **Adjustable Clamp Company**, Chicago, IL (US)

(**) Term: **14 Years**

(21) Appl. No.: **29/278,422**

(22) Filed: **Mar. 29, 2007**

(51) **LOC (8) Cl.** **09-03**

(52) **U.S. Cl.** **D9/457**

(58) **Field of Classification Search** D9/329,
D9/415, 432, 457, 499; D19/69; D20/10,
D20/19, 22, 23, 24, 27, 40, 42, 43, 99; 53/449;
206/378, 461, 470, 488, 45.34, 459, 806;
D6/315; 40/331, 593, 606, 607, 611, 617,
40/642.02, 643, 644, 653, 661.12, 907, 910
See application file for complete search history.

(56) **References Cited**

U.S. PATENT DOCUMENTS

4,899,882 A * 2/1990 Benner 206/470
D379,305 S * 5/1997 VanFleet D9/457
D383,676 S * 9/1997 Koenig D9/457
6,148,590 A * 11/2000 Ridgeway et al. 53/449
D476,694 S * 7/2003 Snow D20/27
6,634,501 B2 * 10/2003 Su et al. 206/378
6,662,948 B1 * 12/2003 Velliquette 206/488

D485,578 S * 1/2004 Chandaria D19/69
D494,066 S * 8/2004 Liu D9/457
D507,739 S * 7/2005 Manoucherians D9/415
D508,958 S * 8/2005 Kaufman D20/23
D513,700 S 1/2006 Wheeler et al.
D520,875 S 5/2006 Wheeler et al.
7,195,120 B2 * 3/2007 Cunningham et al. 206/461
D542,356 S * 5/2007 Lovejoy, Jr. D20/42

* cited by examiner

Primary Examiner—T. Chase Nelson

Assistant Examiner—Barbara B Lohr

(74) *Attorney, Agent, or Firm*—Cook, Alex, McFarron,
Manzo, Cummings & Mehler, Ltd.

(57) **CLAIM**

The ornamental design for a hang tag, as shown and described.

DESCRIPTION

FIG. 1 is front perspective view of the hang tag.

FIG. 2 is a front side elevational view of the hang tag, the right side elevational view being a mirror image thereof.

FIG. 3 is a front elevational view of the hang tag.

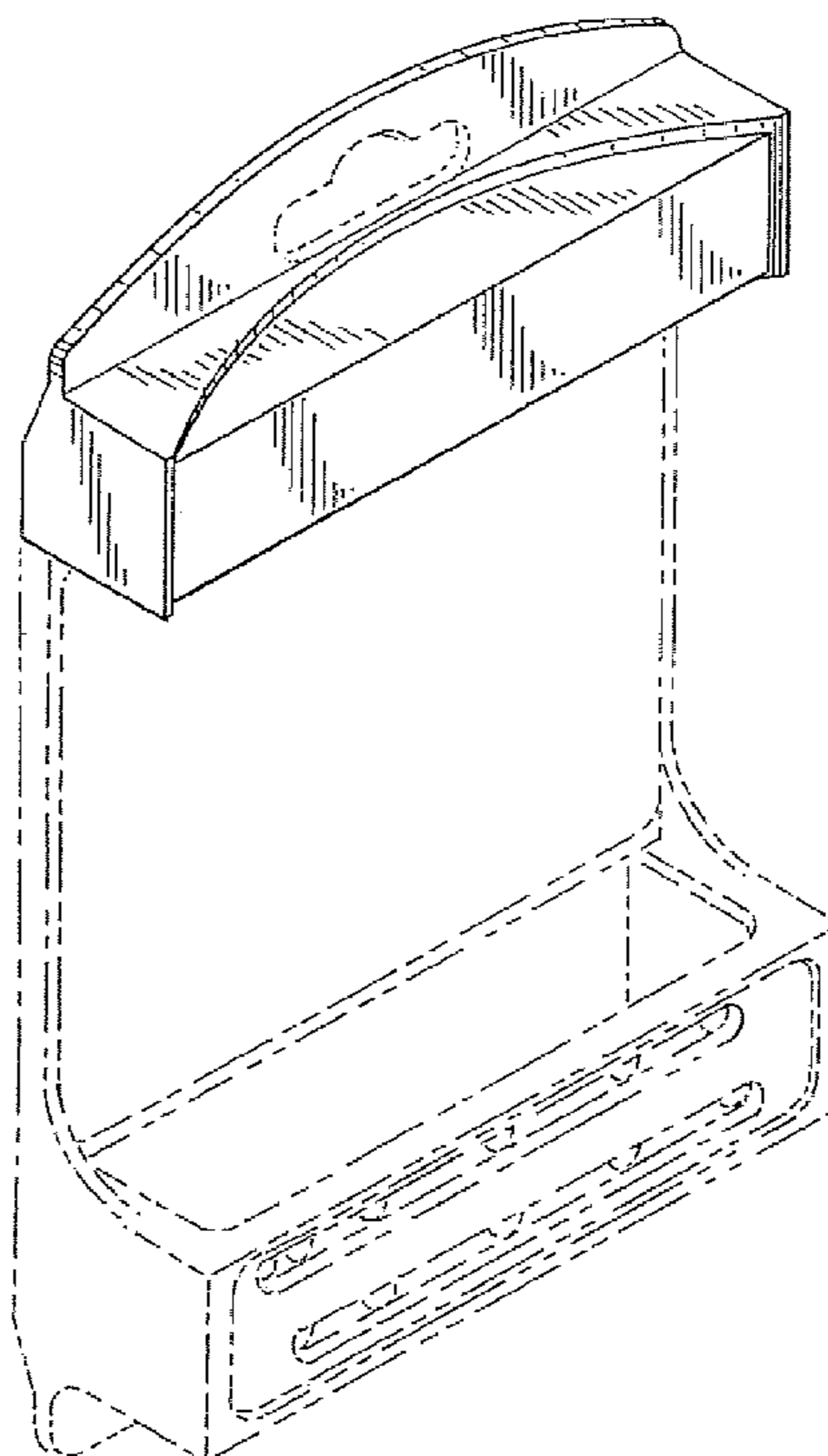
FIG. 4 is a top plan view of the hang tag.

FIG. 5 is a bottom plan view of the hang tag; and,

FIG. 6 is a back elevational view of the hang tag.

The broken lines in FIGS. 1–6 are for illustrative purposes only, and form no part of the claimed design.

1 Claim, 2 Drawing Sheets



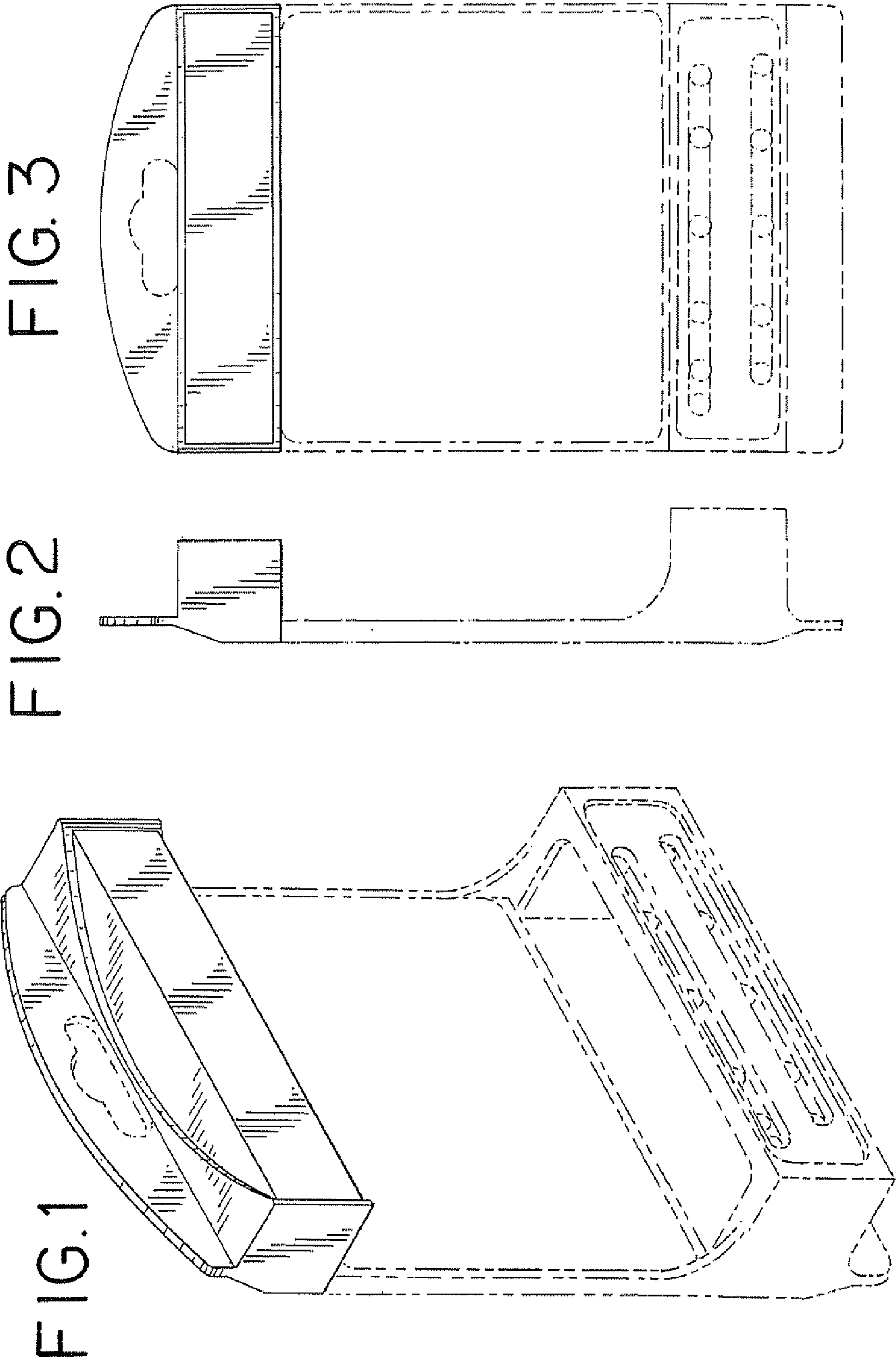


FIG. 3

FIG. 2

FIG. 1

FIG. 4

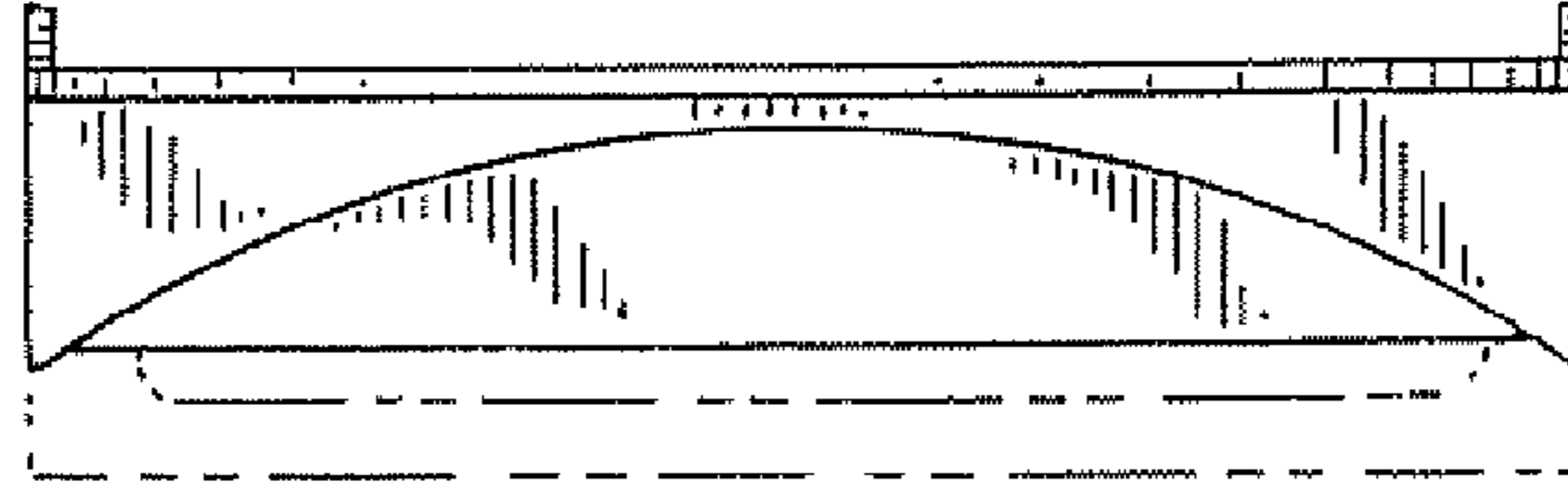


FIG. 5

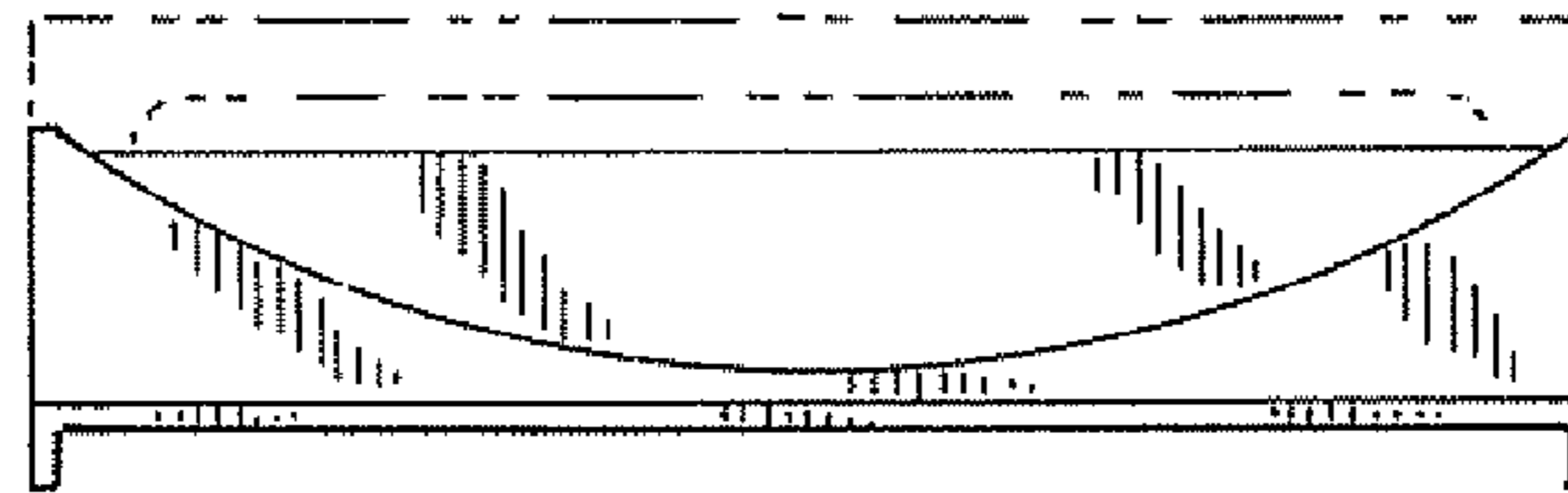


FIG. 6

