



US00D565409S

(12) **United States Design Patent**  
**Cole et al.**

(10) **Patent No.:** **US D565,409 S**

(45) **Date of Patent:** **\*\* Apr. 1, 2008**

(54) **LID FOR A CONTAINER**

(75) Inventors: **Richard Cole**, Southampton (GB);  
**Stephen Knipe**, Portsmouth (GB)

(73) Assignee: **Huhtamaki ( UK) Limited**, Hampshire (GB)

(\*\*) Term: **14 Years**

(21) Appl. No.: **29/258,041**

(22) Filed: **Apr. 14, 2006**

(30) **Foreign Application Priority Data**

Oct. 19, 2005 (EM) ..... 000419890

(51) **LOC (8) Cl.** ..... **09-07**

(52) **U.S. Cl.** ..... **D9/450; D9/449**

(58) **Field of Classification Search** ..... D9/447,  
D9/435, 434, 624, 614, 451; D7/683, 671,  
D7/396.2, 392.1; 221/63; 220/710, 711  
See application file for complete search history.

(56) **References Cited**

**U.S. PATENT DOCUMENTS**

D267,633 S \* 1/1983 Christian ..... D9/438  
4,377,244 A \* 3/1983 Rossetti ..... 220/268  
D405,011 S \* 2/1999 DeCoster et al. .... D9/447  
6,089,397 A \* 7/2000 Van Melle ..... 220/270  
D447,412 S \* 9/2001 Durdon ..... D9/438  
D476,566 S \* 7/2003 Smith et al. .... D9/447

D477,223 S \* 7/2003 Smith et al. .... D9/447  
D478,006 S \* 8/2003 Smith et al. .... D9/447  
D533,777 S \* 12/2006 Hundley et al. .... D9/447  
D533,778 S \* 12/2006 Hollis et al. .... D9/447

\* cited by examiner

*Primary Examiner*—Gary D. Watson

*Assistant Examiner*—Susan Bennett Hattan

(74) *Attorney, Agent, or Firm*—Hodgson Russ LLP

(57) **CLAIM**

The ornamental design for a lid for a container, as shown and described.

**DESCRIPTION**

FIG. 1 is a top perspective view of a lid for a container when the lid is closed;

FIG. 2 is a top perspective view thereof when the lid is open;

FIG. 3 is a top plan view thereof when the lid is open;

FIG. 4 is a front elevational view thereof when the lid is open;

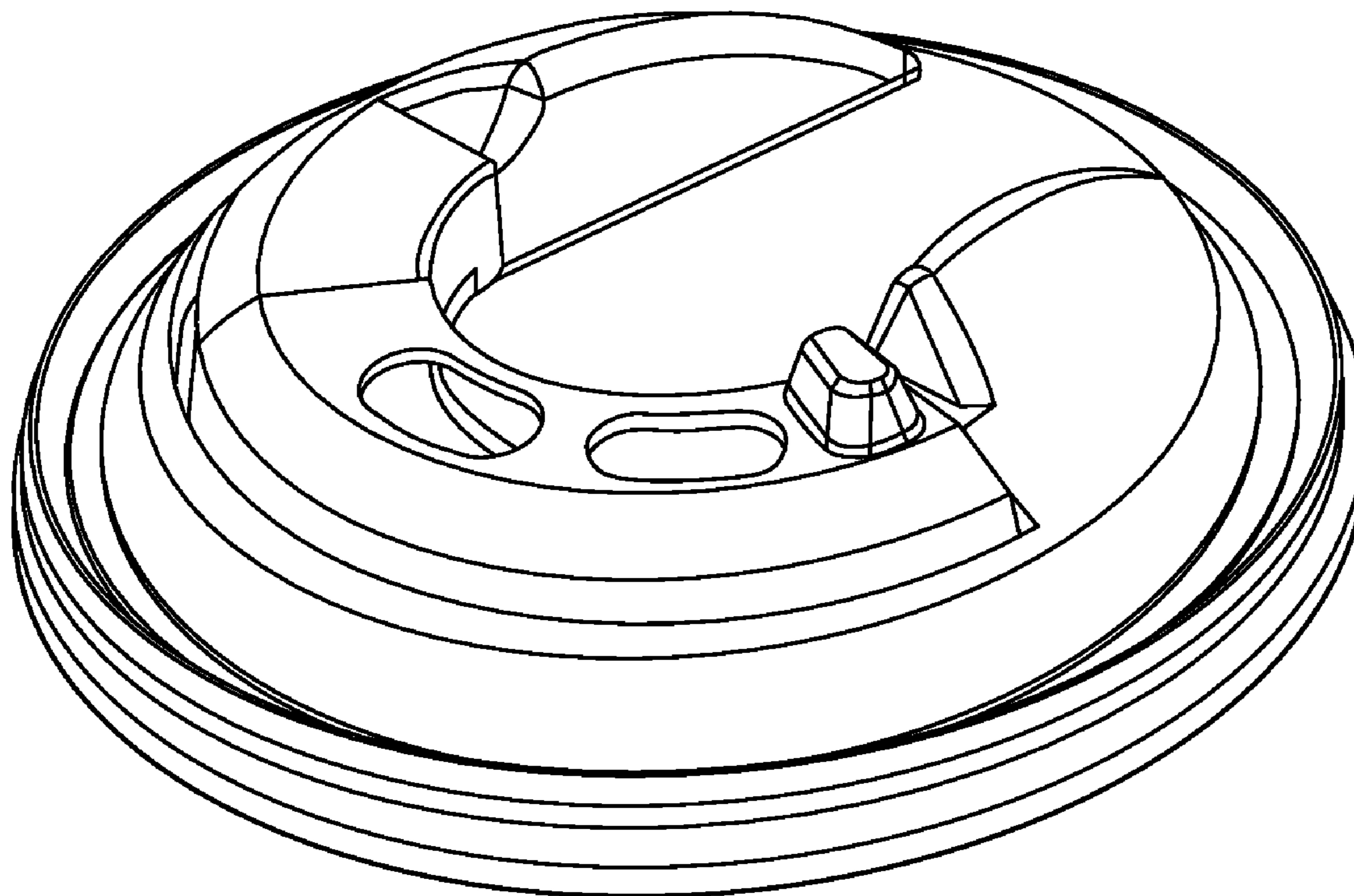
FIG. 5 is a side elevational view thereof when the lid is open;

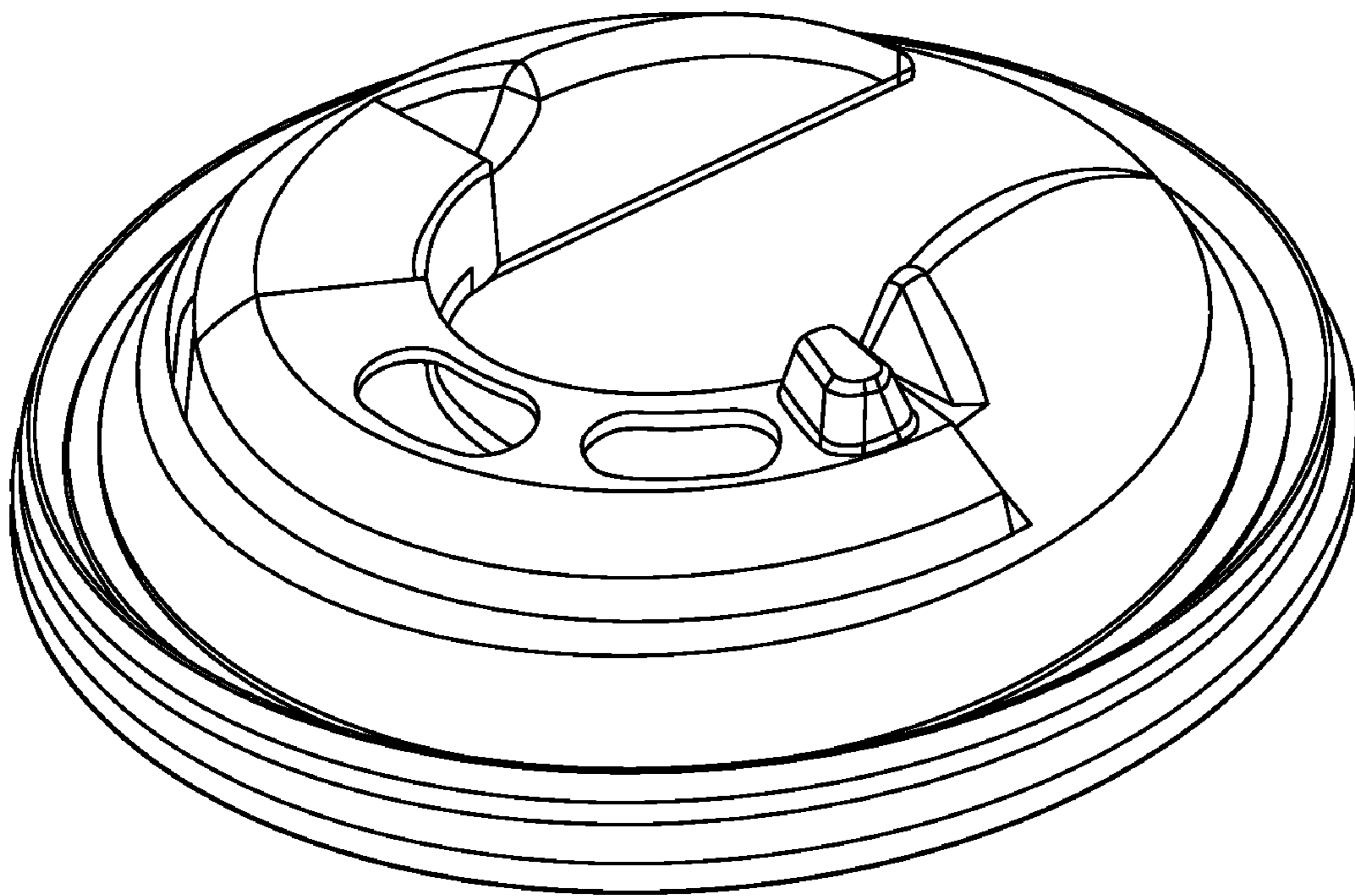
FIG. 6 is a rear elevational view thereof when the lid is open;

FIG. 7 is a bottom plan view thereof when the lid is closed, the labeling and logos forming no part of the design; and,

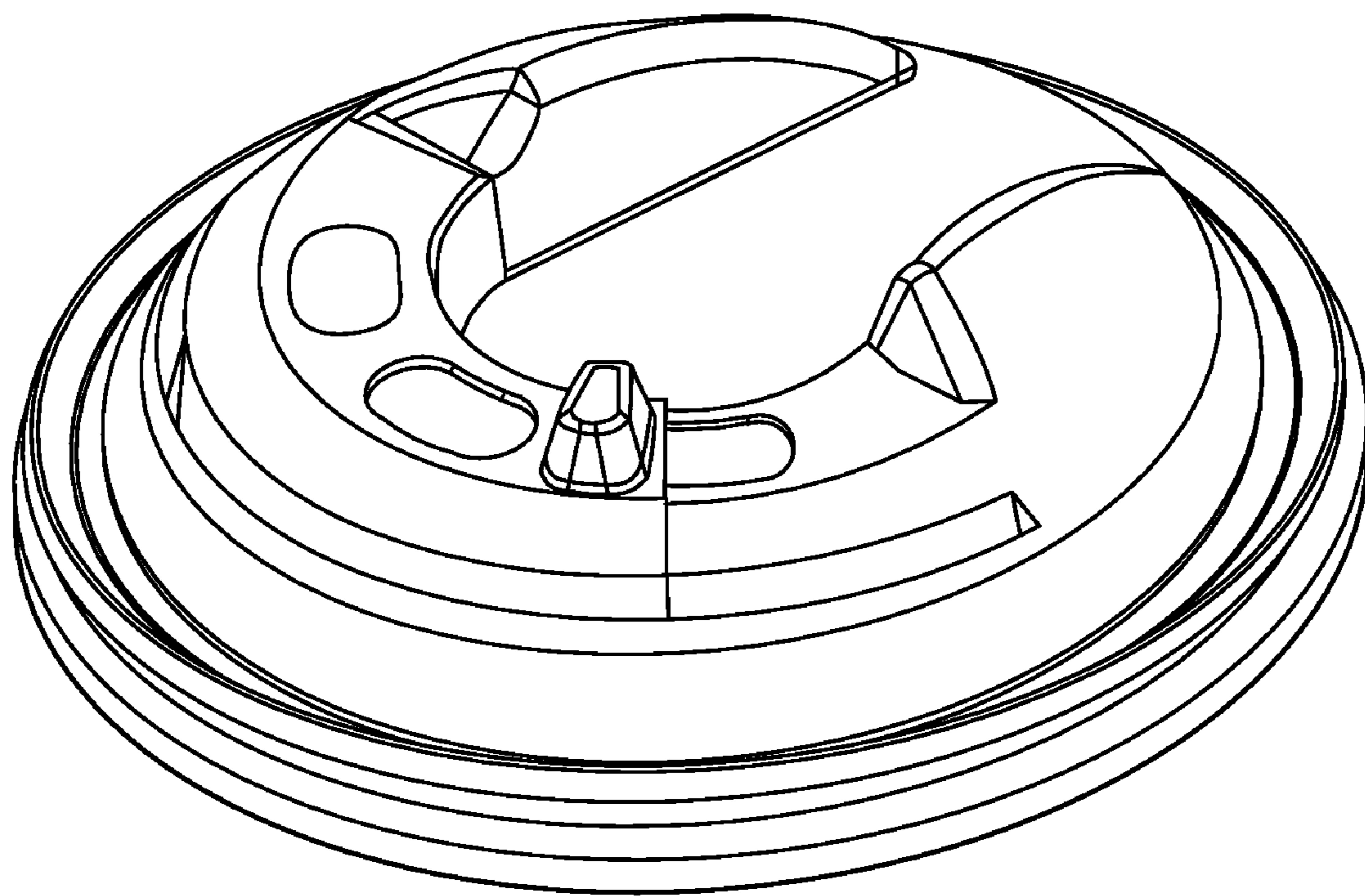
FIG. 8 is a bottom perspective view thereof when the lid is closed, the labeling and logos forming no part of the design.

**1 Claim, 8 Drawing Sheets**

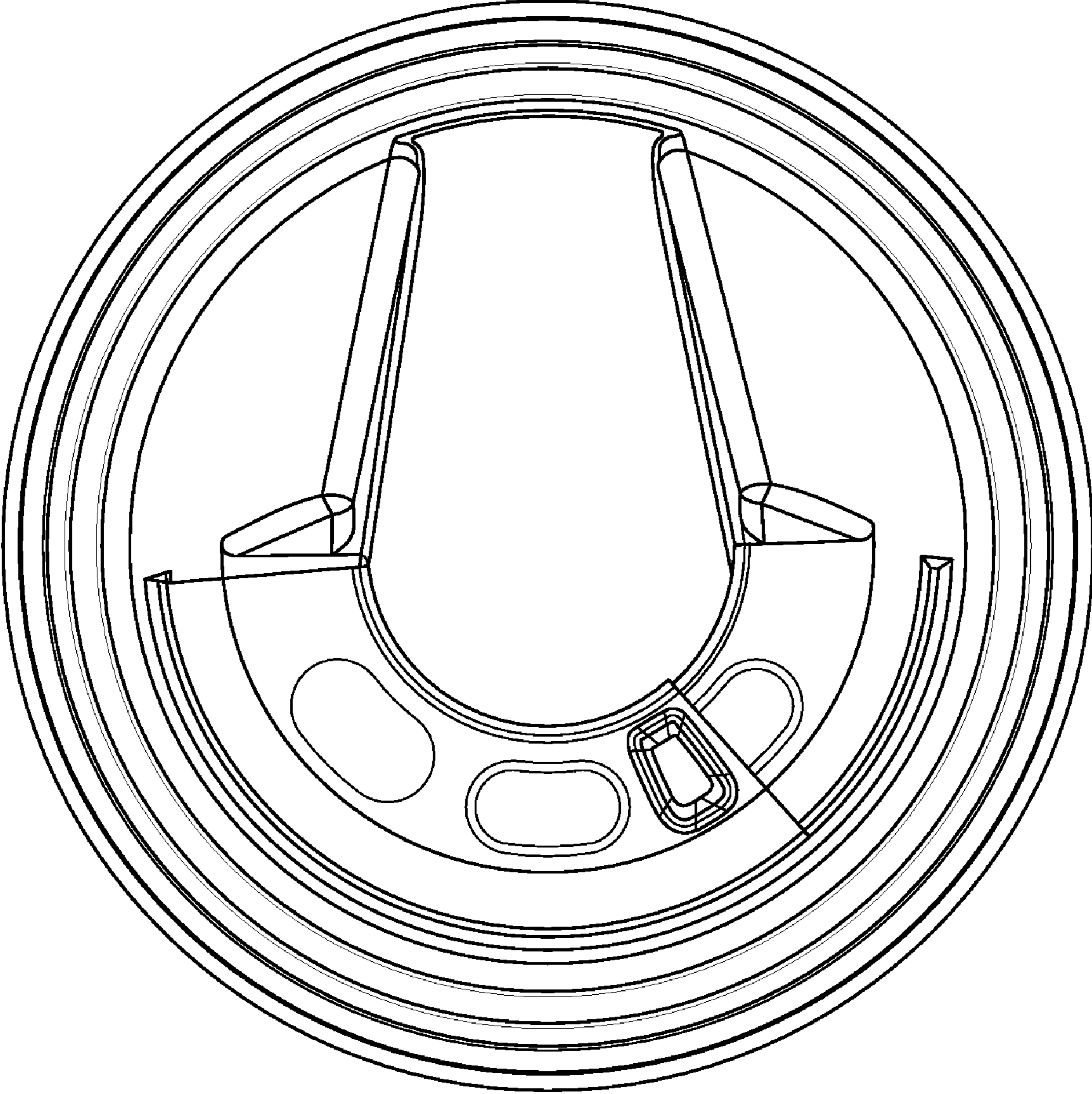




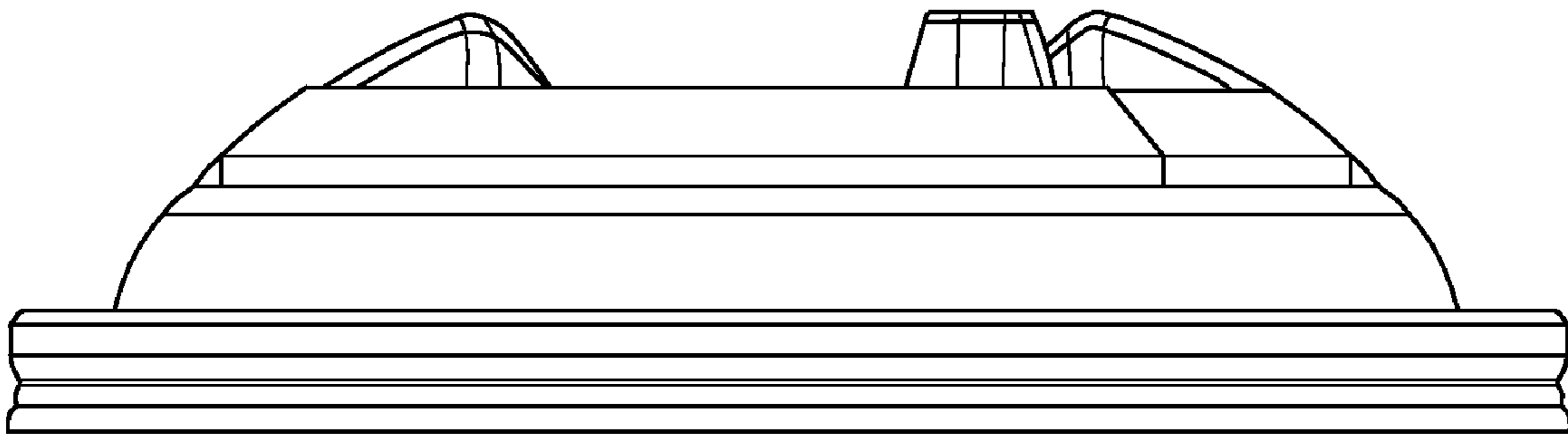
*Fig. 1*



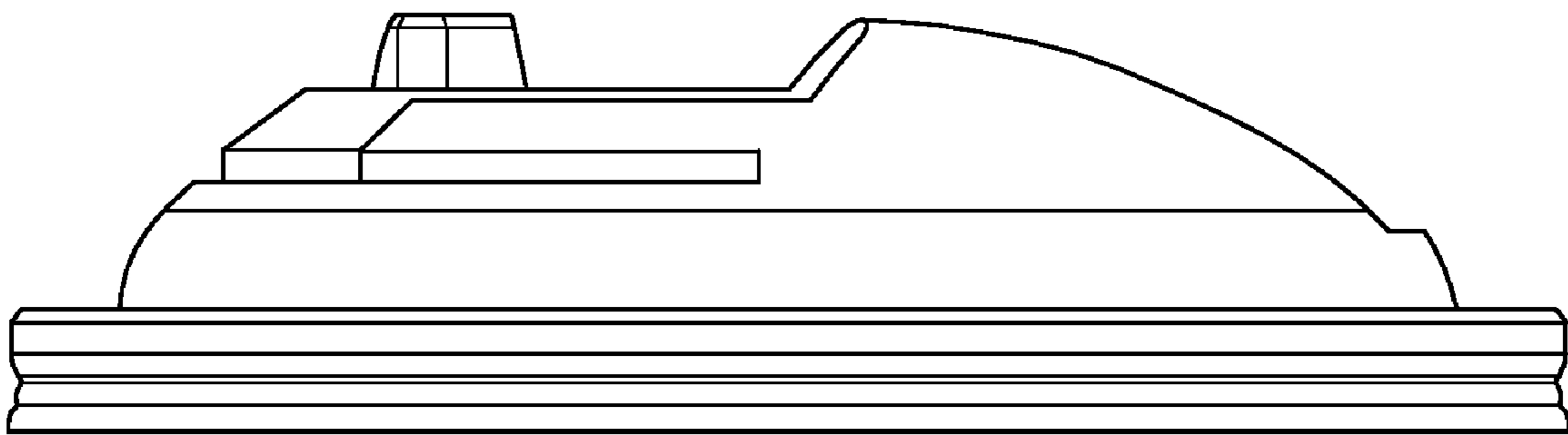
*Fig. 2*



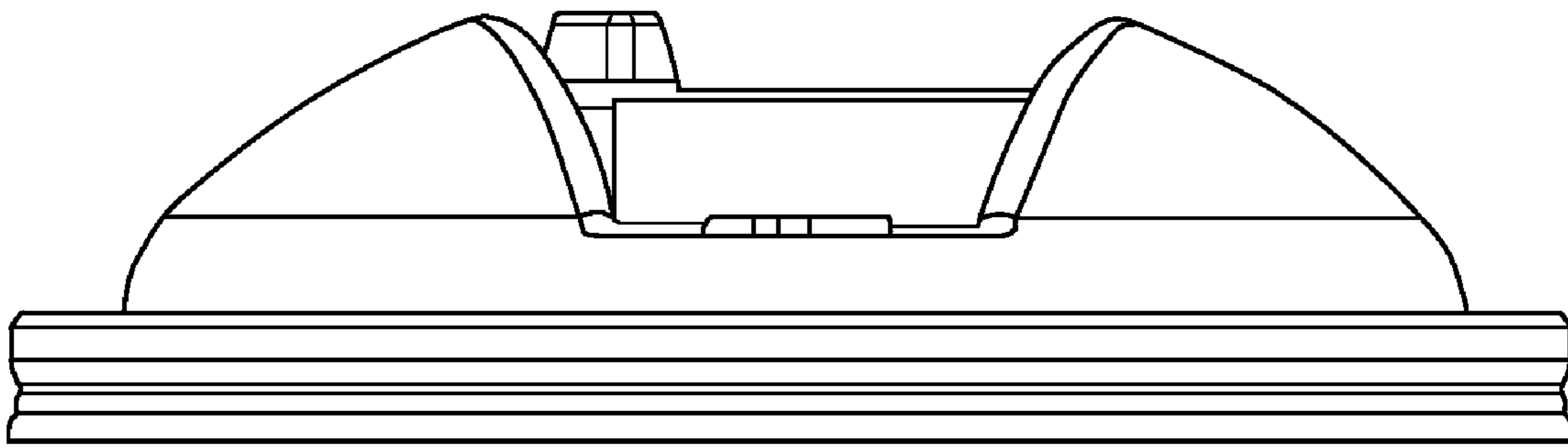
*Fig. 3*



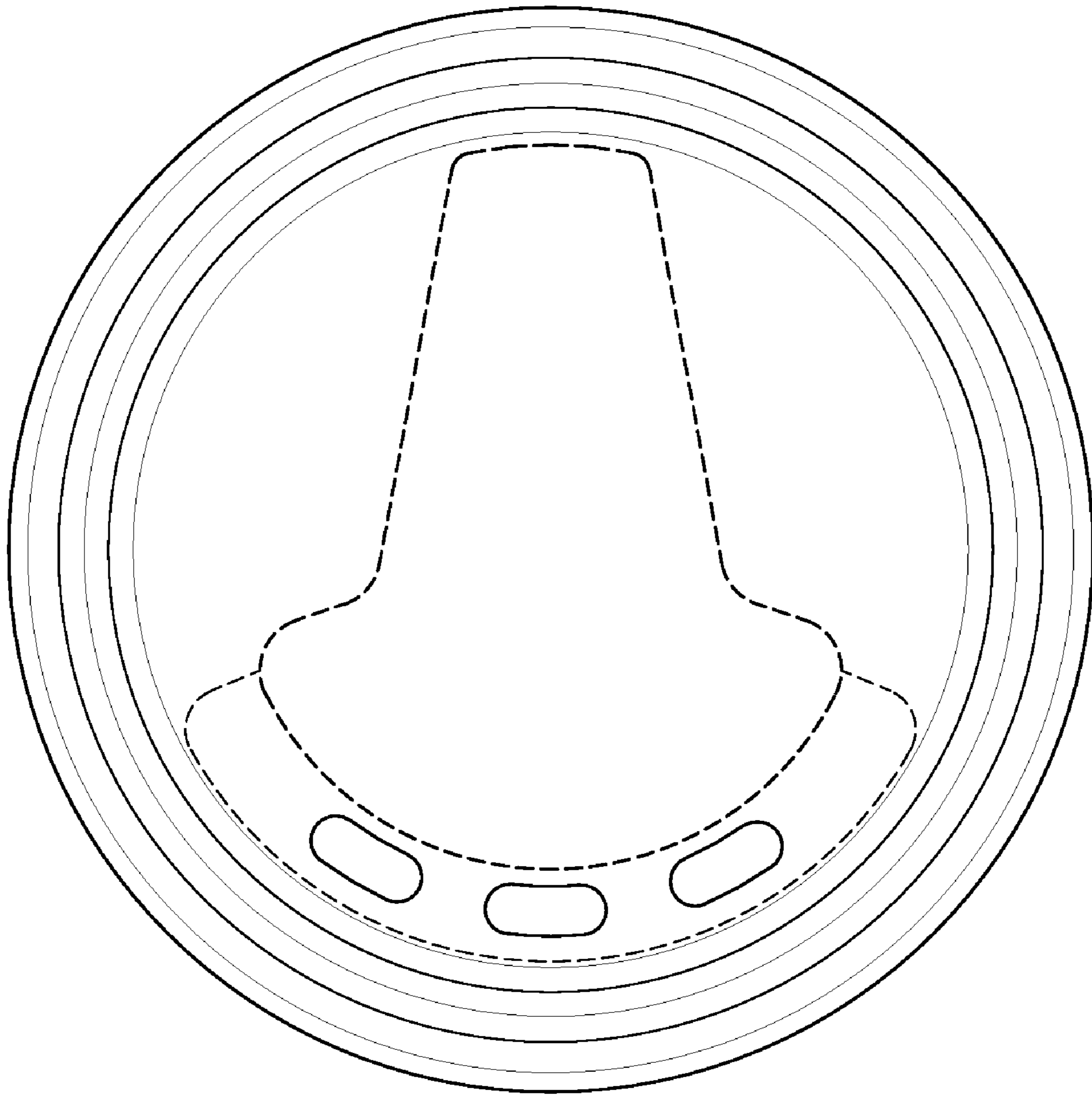
*Fig. 4*



*Fig. 5*

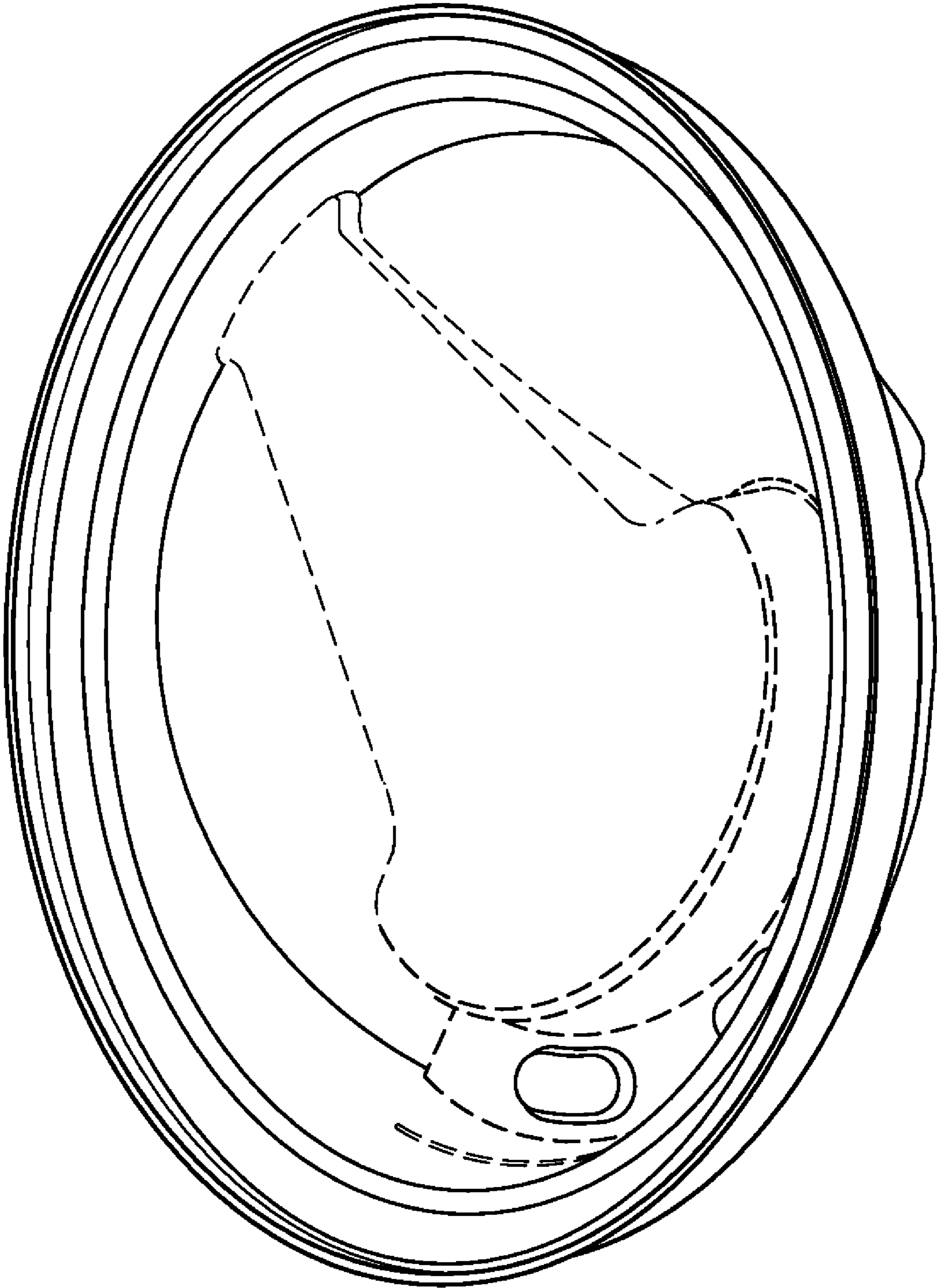


*Fig. 6*



*Fig. 7*





*Fig. 8*