

US00D565408S

(12) **United States Design Patent**
Kick

(10) **Patent No.:** **US D565,408 S**

(45) **Date of Patent:** **** Apr. 1, 2008**

(54) **DUAL OVERLAPPING FLIP TOP CLOSURE**

(75) Inventor: **James Kick**, Town & Country, MO
(US)

(73) Assignee: **C.A.P.S.**, Bridgeton, MO (US)

(**) Term: **14 Years**

(21) Appl. No.: **29/278,256**

(22) Filed: **Mar. 23, 2007**

(51) **LOC (8) Cl.** **09-07**

(52) **U.S. Cl.** **D9/449; D9/446**

(58) **Field of Classification Search** D9/454,
D9/450, 449, 447, 446, 428, 435, 423, 421,
D9/420, 422, 426; D7/900, 401.1, 396.1,
D7/392; 229/207; D6/518; D34/11, 7,
D34/13; D3/323; 222/480, 256; 220/812,
220/810, 480, 345.1, 256.1, 253, 213; 215/322,
215/306, 236, 235

See application file for complete search history.

(56) **References Cited**

U.S. PATENT DOCUMENTS

| | | | |
|---------------|---------|---------------------|---------|
| 4,291,818 A | 9/1981 | Nozawa et al. | |
| 4,361,250 A * | 11/1982 | Foster | 220/266 |
| 4,403,712 A | 9/1983 | Wiesinger | |
| 4,545,508 A * | 10/1985 | Cribb et al. | 222/480 |
| 4,936,494 A | 6/1990 | Weidman | |
| D331,878 S | 12/1992 | Forsyth | |
| RE34,263 E | 5/1993 | VanKerkhoven et al. | |
| D340,187 S | 10/1993 | Forsyth | |
| 5,330,082 A | 7/1994 | Forsyth | |

| | | | |
|-------------------|---------|----------------|---------|
| RE37,634 E | 4/2002 | Hickman et al. | |
| 6,510,971 B1 | 1/2003 | Martin | |
| D476,892 S | 7/2003 | Martin | |
| D532,298 S * | 11/2006 | Vogel | D9/447 |
| D537,341 S * | 2/2007 | Liebe et al. | D9/449 |
| 2002/0125203 A1 * | 9/2002 | Bried et al. | 215/235 |
| 2006/0237388 A1 | 10/2006 | Kick | |

* cited by examiner

Primary Examiner—Gary D. Watson
Assistant Examiner—Susan Bennett Hattan
(74) *Attorney, Agent, or Firm*—Polster, Lieder, Woodruff & Lucchesi, L.C.

(57) **CLAIM**

The ornamental design for a dual overlapping flip top closure, as shown and described.

DESCRIPTION

FIG. 1 is a top perspective view of a dual overlapping flip top closure;

FIG. 2 is a front view thereof;

FIG. 3 is a back view thereof;

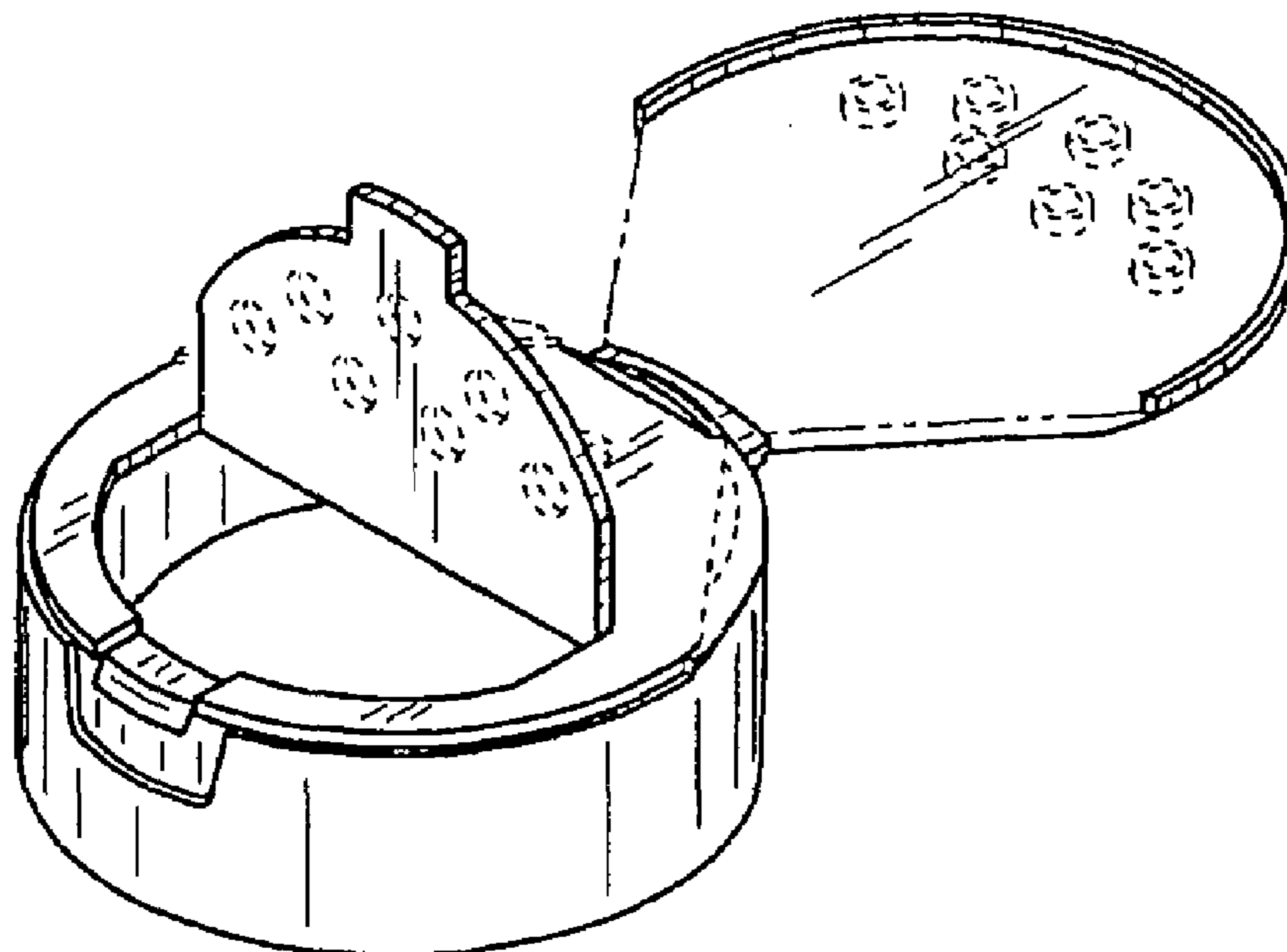
FIG. 4 is a side view thereof;

FIG. 5 is a top view thereof; and,

FIG. 6 is a bottom view thereof.

The broken lines are included for the purpose of illustrating environmental structure and form no part of the claimed design.

1 Claim, 2 Drawing Sheets



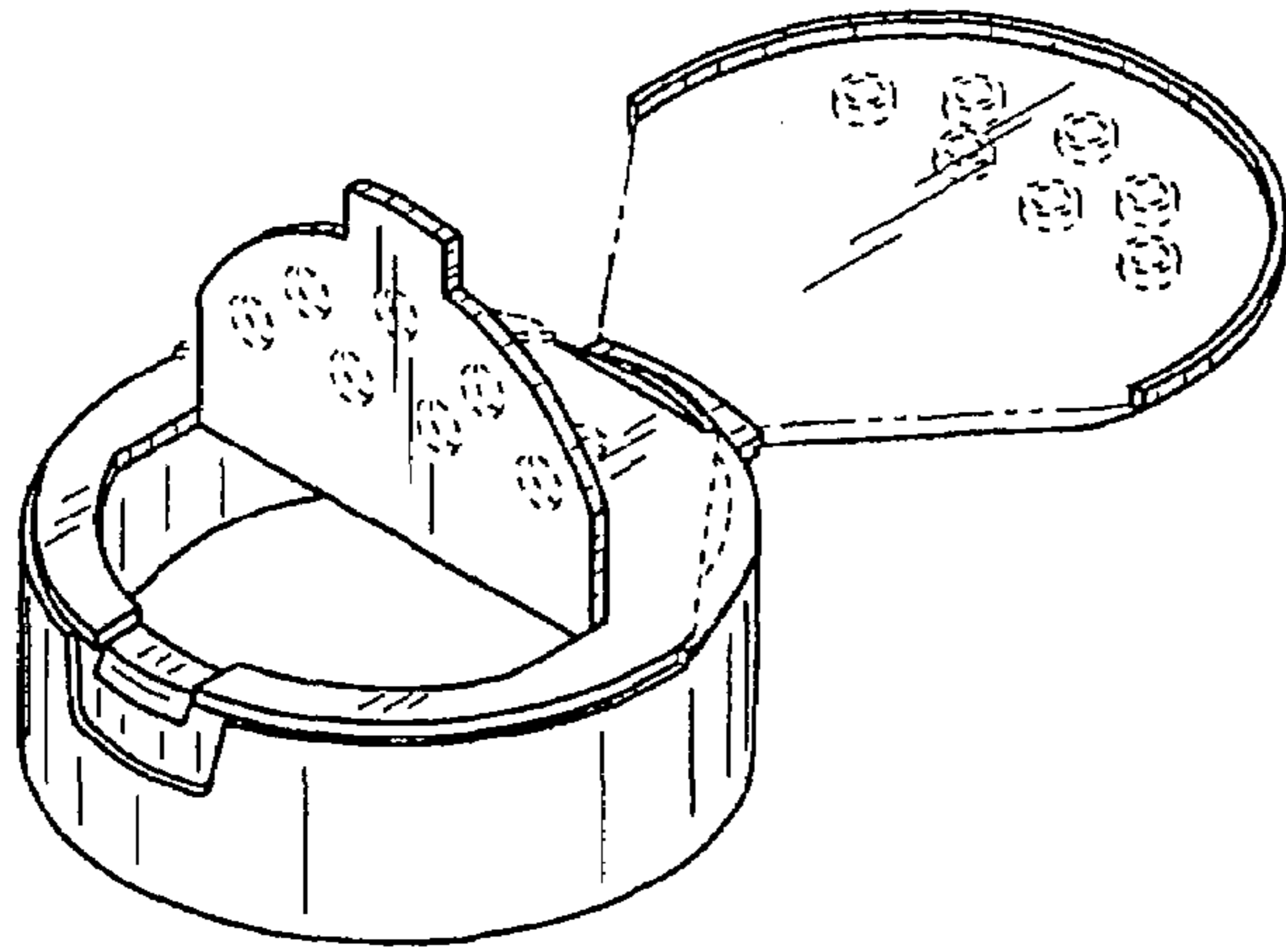


FIG. 1

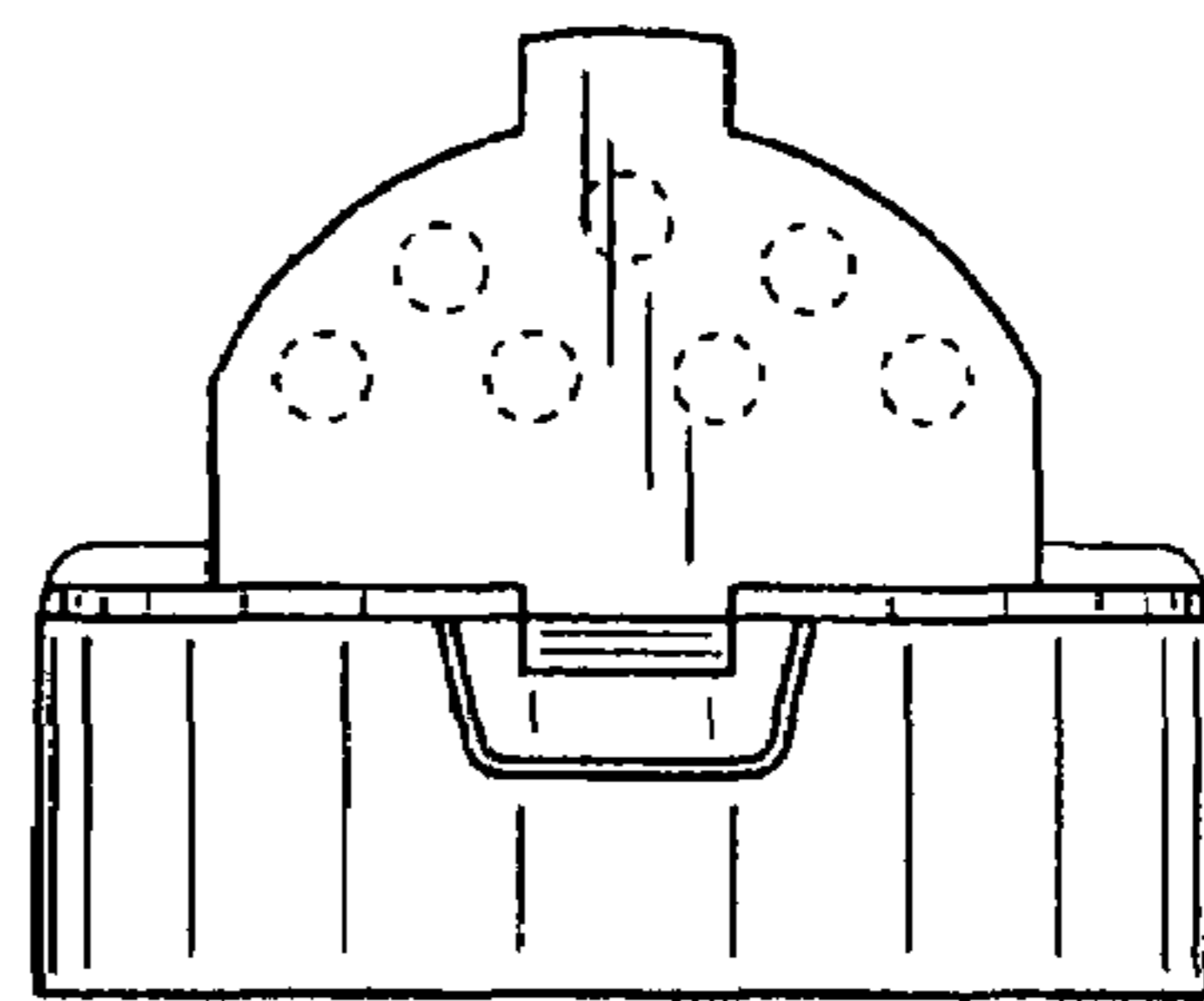


FIG. 2

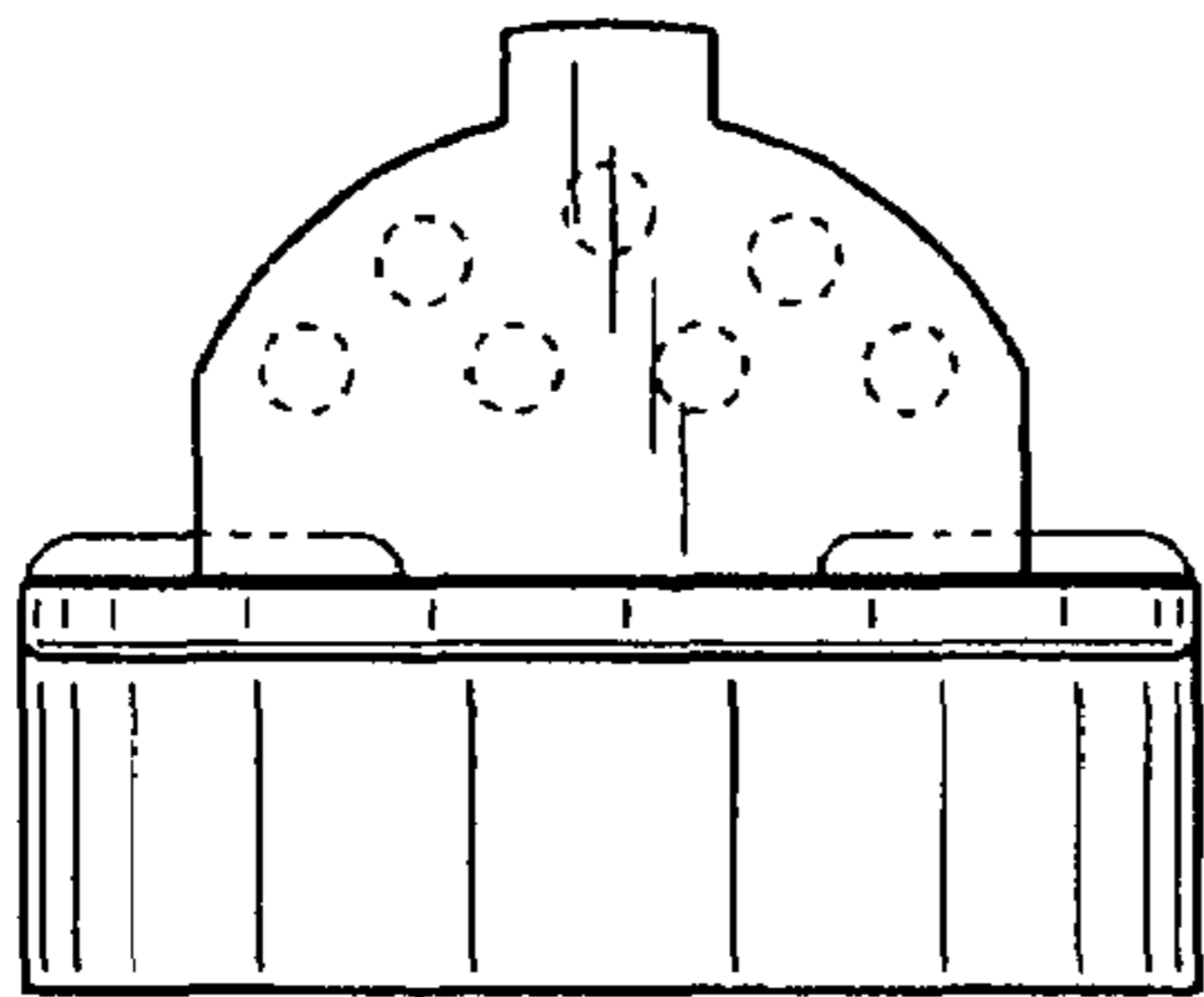


FIG. 3

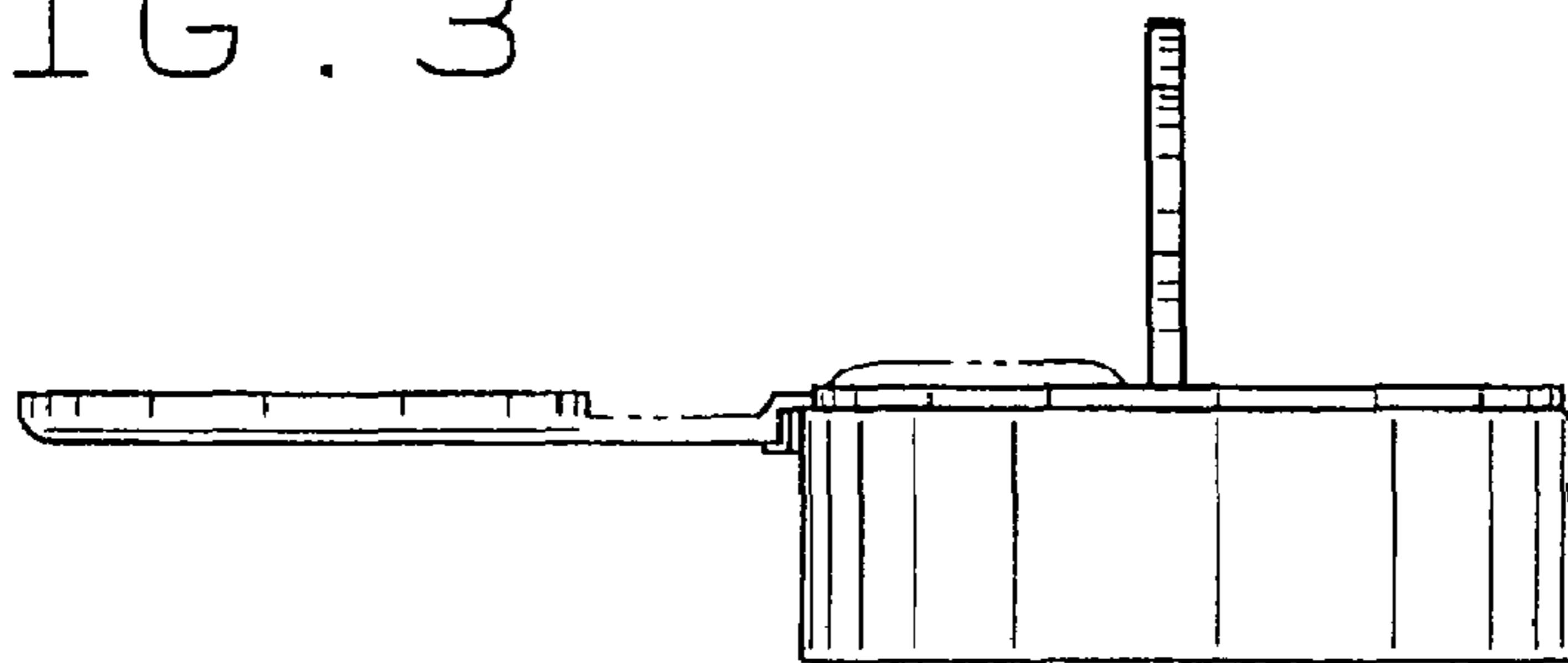


FIG. 4

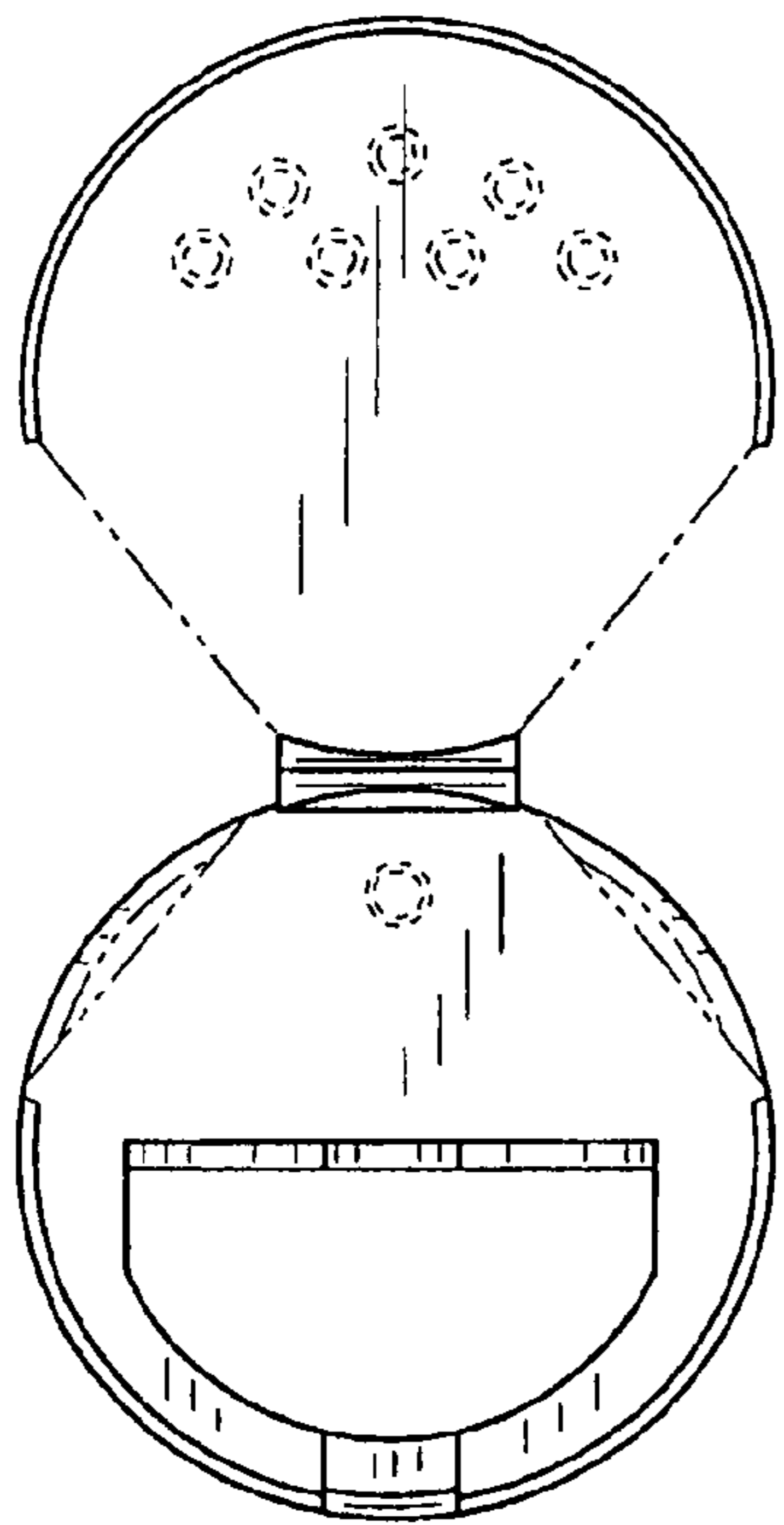


FIG. 5

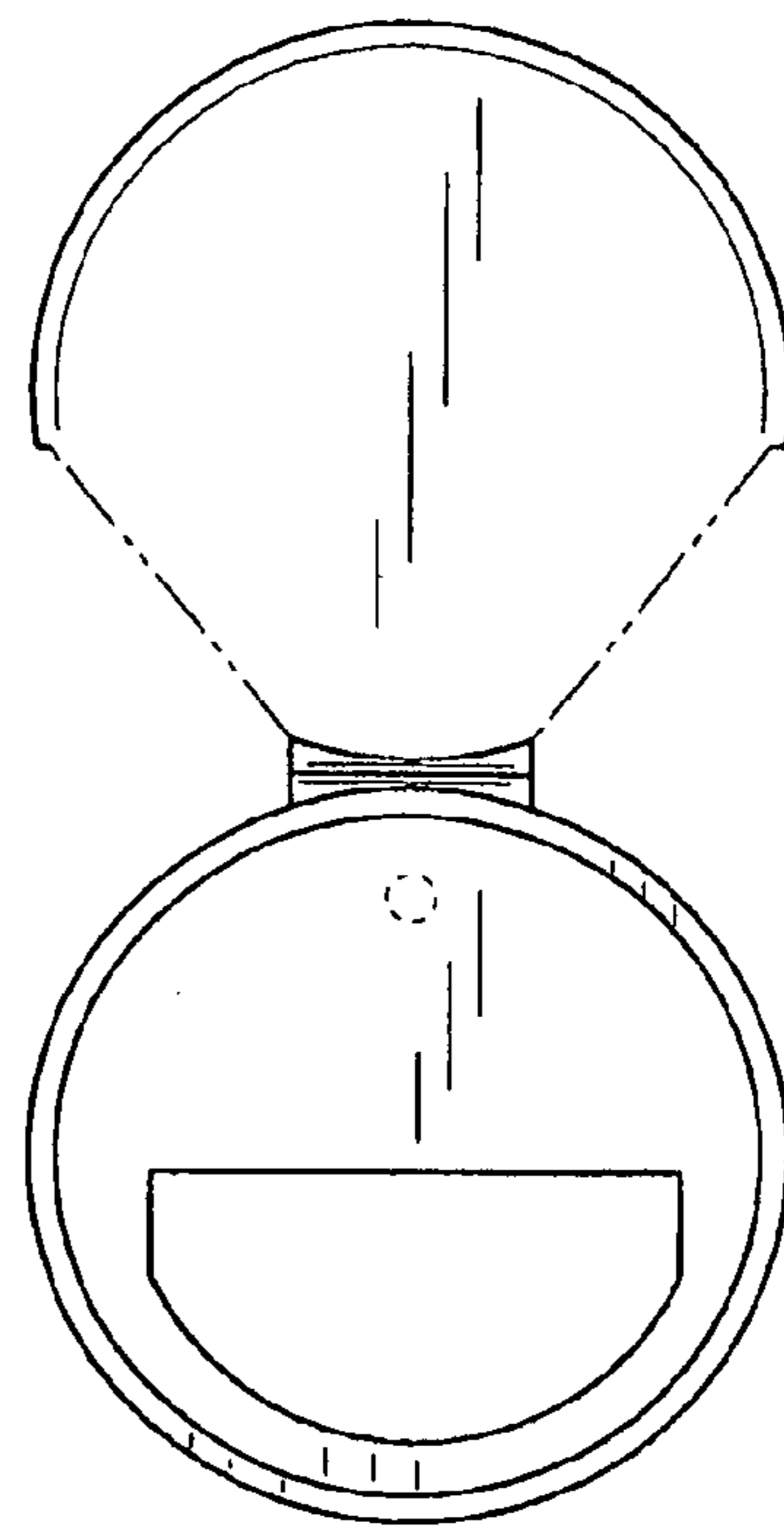


FIG. 6